

Wouss

Firalux

MYSTA RANGE



Index



Mysta Recessed - 3



Trim



Trimless

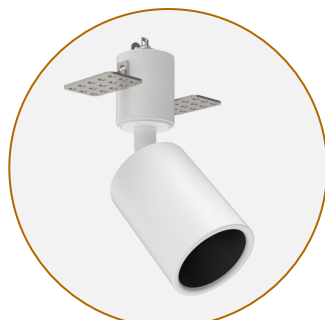
Mysta Plug - 9



Plug



Plug-B



Plug-S



Plug-SB

Mysta On-Track - 15



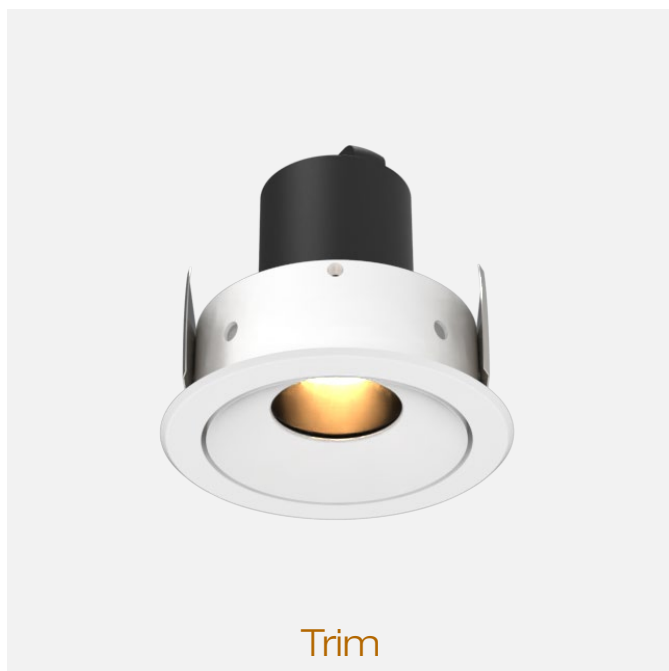
48V-Stucchi



230V

LOUSS

Lighting Emotion



MYSTA RECESSED

The mysterious luminaire



MYSTA • Trimless • Trim

| | | | | |
|---|---|-------------------|--|-------------------|
| Range | Adjustable low luminance recessed spotlight for general & accent lighting | | | |
| Description | Rotation 360° - Adjustable tilt 30° Optional : Easily changeable LED, optics and accessories on site, without any tool, with integrated Easy Swap system (see page 4) | | | |
| Finish | White RAL 9003 matt finish Black RAL 9005 matt finish (other upon request) | | | |
| Dimensions | Trimless | | Trim | |
| | Spotlight diameter : 42mm Installation diameter : 74.5mm Installation depth : 85mm | | Spotlight diameter : 42mm External diameter : 90.5mm Installation diameter : 74.5mm Installation depth : 83.5mm | |
| Net weight | ± 0.150g according to version | | | |
| LED characteristics | 2700K – 3000K – 3500K – 4000K – 5000K (other upon request) MacAdam ellipse : 3 SDCM (standard version) – 2 SDCM (premium version) CRI 90 (standard version) – CRI 95, R9>80 (premium version) | | | |
| Optical beams & Performances | Beam | Candela | Power | Photometry |
| | 11° | 10,900 cd (3000K) | 7W | les 2591A |
| | 16° | 6,300 cd (3500K) | 8W | les 2645A |
| | 20° | 4,400 cd (3500K) | 7W | les 2510A |
| | 23° | 3,100cd (3500K) | 7W | les 2511A |
| | 34° | 1,700cd (3500K) | 8W | les 2617A |
| | 43° | 1,050 cd (3500K) | 7W | les 2513A |
| | Other beams upon request 300 to 800 lumen UGR < 15 | | | |
| Accessories | Filters, honeycomb grid upon request | | | |
| Connection | Supplied with 0.5m cable (more length upon request) | | | |
| Separate power supply | 700mA max. external constant current driver Dimmable driver upon request For the US & Canada use a UL class 2 driver | | | |
| Consumption | 4W to 9W max. according to version | | | |

All the connections have to be made before powering up,
otherwise the luminaires could be seriously damaged

Creation : 2025.08.22 / Last update : 2026.04.08



MYSTA • Trimless • Trim

| | |
|------------------------|---|
| Use limitations | The product must be installed into a ventilated area Any use with an ambient temperature higher than the specified ambient temperature (Ta) would lead to a more rapid mortality of the product and the withdrawal of our guarantees The drivers, if not delivered by LOuss, must be approved before use |
| Warranty | Life span: L80B10 at 50,000 hours (80% remaining flux) at 25°C ambient temperature. 3-year parts and labor warranty The warranty does not apply to products that have been opened, modified or repaired and does not cover the effects of a wrong connection, careless, abusive handling, overvoltage, lighting injury, as well as the normal wear of the product All products are electrically tested and received a functional burn-in |

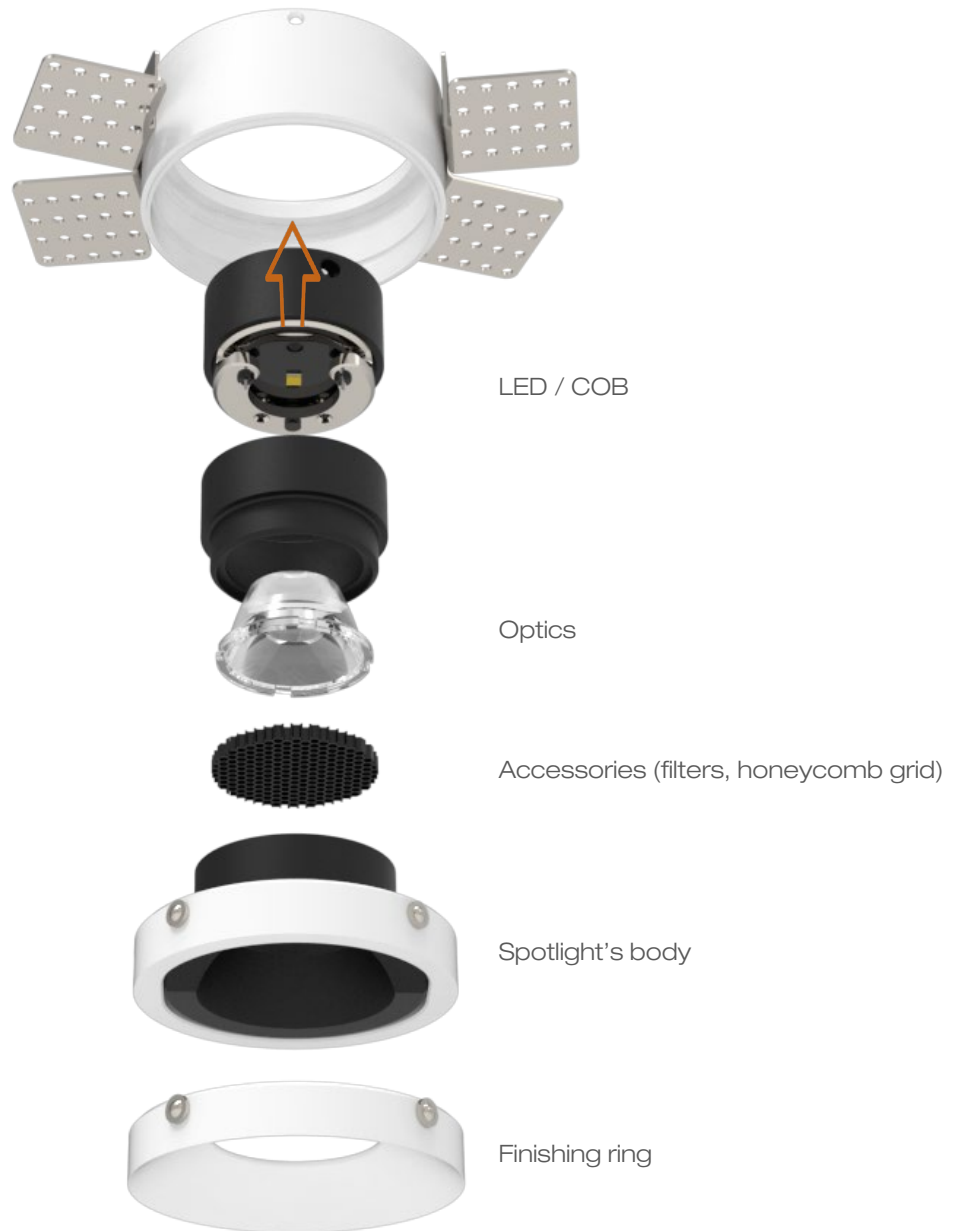
All the connections have to be made before powering up,
otherwise the luminaires could be seriously damaged

Creation : 2025.08.22 / Last update : 2026.04.08



MYSTA • Trimless • Trim

Easy Swap System

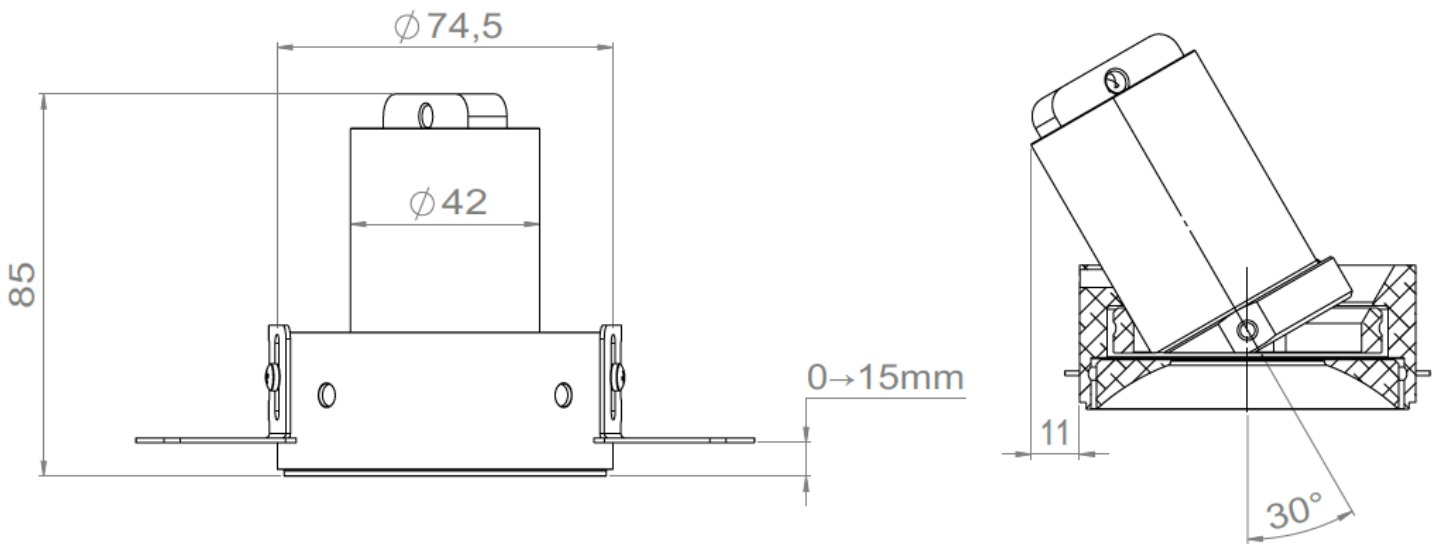


All the connections have to be made before powering up,
otherwise the luminaires could be seriously damaged

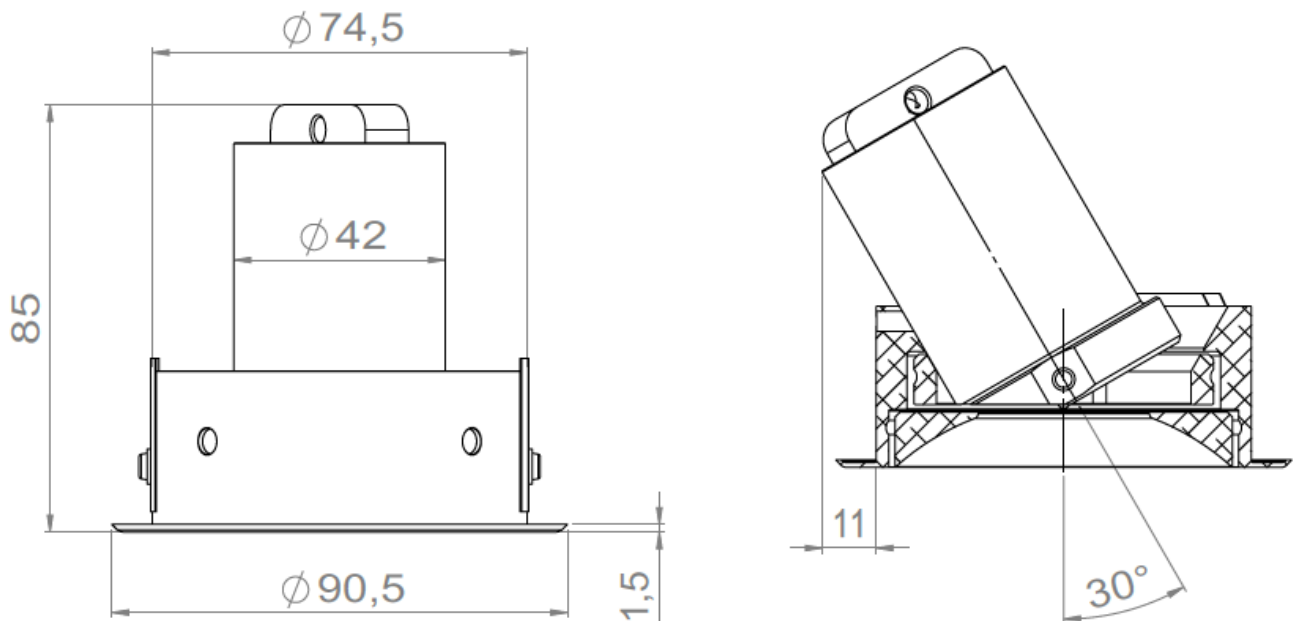
Creation : 2025.08.22 / Last update : 2026.04.08



MYSTA Trimless



MYSTA Trim



All the connections have to be made before powering up,
otherwise the luminaires could be seriously damaged

Creation : 2025.08.22 / Last update : 2026.04.08

LOUSS

BEST SAS, Capital 200 000€
RCS Dijon B 408 483 485
TVA/VAT n° : FR94 408 483 485
APE 2612Z

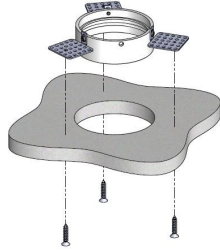
Tel. : +33 380 48 65 68
contact@louss.fr
www.louss.fr
Best & LOUSS

Siège social / Head Office
PA Les Terres d'Or
Route de Saint Philibert
21220 Gevrey Chambertin - FRANCE

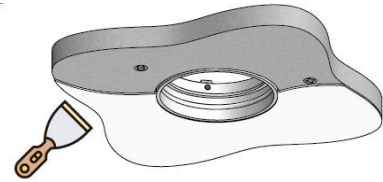


MYSTA Trimless Installation guide

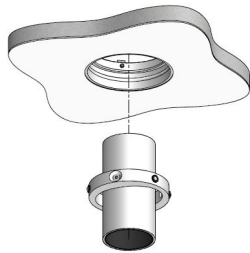
Installation from above



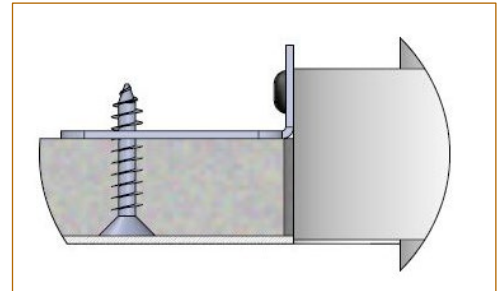
Install the recessed box from above
and screw it into the surface



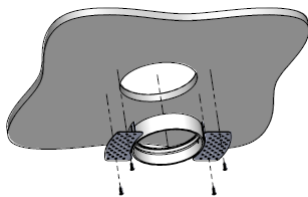
Cover the lateral plates of the recessed box
by coating and painting



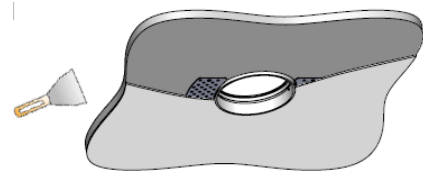
Insert the spotlight from below



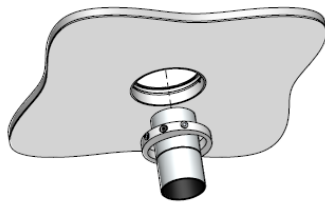
Installation from below



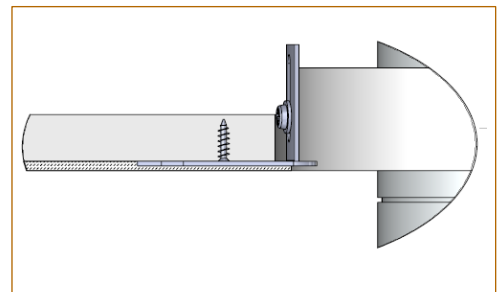
Install the recessed box from below
and screw it into the surface



Cover the lateral plates of the recessed box
by coating and painting



Insert the spotlight from below



All the connections have to be made before powering up,
otherwise the luminaires could be seriously damaged

Creation : 2025.08.22 / Last update : 2026.04.08

LOUSS

Lighting Emotion



MYSTA PLUG



Mysta Plug • Mysta Plug-B • Mysta Plug-S • Mysta Plug-SB

| | | |
|----------------------------|---|---|
| Range | Adjustable low luminance recessed spotlight for general & accent lighting | |
| Description | Rotation 360° - Adjustable tilt 90° | |
| | Plug | Plug-B |
| | Optional : Easily changeable LED, optics and accessories on site, without any tool, with integrated Easy Swap system (see page 4) | To be installed in a concrete surface Optional : Easily changeable LED, optics and accessories on site, without any tool, with integrated Easy Swap system (see page 4) |
| | Plug-S | Plug-SB |
| | Without Easy Swap system | To be installed in a concrete surface Without Easy Swap system |
| Finish | White RAL 9003 matt finish Black RAL 9005 matt finish (other upon request) | |
| Dimensions | Plug | Plug-B |
| | Spotlight diameter : 46.0mm Spotlight length : 64.0mm Installation diameter : 24.0mm Installation depth : 29.5mm | Spotlight diameter : 46.0mm Spotlight length : 64.0mm Installation diameter : 31.0mm Installation depth : 39.0mm |
| | Plug-S | Plug-SB |
| | Spotlight diameter : 35.0mm Spotlight length : 49.5mm Installation diameter : 24.0mm Installation depth : 29.5mm | Spotlight diameter : 35.0mm Spotlight length : 49.5mm Installation diameter : 31.0mm Installation depth : 39.0mm |
| Net weight | ± 0.150g according to version | |
| LED characteristics | 2700K – 3000K – 3500K – 4000K – 5000K (other upon request) MacAdam ellipse : 3 SDCM (standard version) – 2 SDCM (premium version) CRI 90 (standard version) – CRI 95, R9>80 (premium version) | |
| Accessories | Filters, honeycomb grid upon request | |

All the connections have to be made before powering up,
otherwise the luminaires could be seriously damaged

Creation : 2025.04.08 / Last update : 2026.04.08



Mysta Plug • Mysta Plug-B • Mysta Plug-S • Mysta Plug-SB

| | | | | |
|--|---|-------------------|------------------------------------|------------|
| Optical beams & Performances Plug & Plug-B | Beam | Candela | Power | Photometry |
| | 11° | 10,900 cd (3000K) | 7W | les 2591A |
| | 16° | 6,300 cd (3500K) | 8W | les 2645A |
| | 20° | 4,400 cd (3500K) | 7W | les 2510A |
| | 23° | 3,100cd (3500K) | 7W | les 2511A |
| | 34° | 1,700cd (3500K) | 8W | les 2617A |
| | 43° | 1,050 cd (3500K) | 7W | les 2513A |
| | Other beams upon request 300 to 800 lumen UGR < 15 | | | |
| Optical beams & Performances Plug-S & Plug-SB | 15° - 25° - 35° 150 to 400 lumen UGR < 15 | | | |
| Connection | Supplied with 0.5m cable (more length upon request) | | | |
| Separate power supply | 700mA max. external constant current driver Dimmable driver upon request For the US & Canada use a UL class 2 driver | | | |
| Consommation | Plug • Plug-B | | Plug-S • Plug-SB | |
| | 4W à 9W max. according to version | | 3W ou 4W max. according to version | |
| Use limitations | The product must be installed into a ventilated area Any use with an ambient temperature higher than the specified ambient temperature (Ta) would lead to a more rapid mortality of the product and the withdrawal of our guarantees The drivers, if not delivered by LOuss, must be approved before use | | | |
| Warranty | Life span: L80B10 at 50,000 hours (80% remaining flux) at 25°C ambient temperature. 3-year parts and labor warranty The warranty does not apply to products that have been opened, modified or repaired and does not cover the effects of a wrong connection, careless, abusive handling, overvoltage, lighting injury, as well as the normal wear of the product All products are electrically tested and received a functional burn-in | | | |

All the connections have to be made before powering up,
otherwise the luminaires could be seriously damaged

Creation : 2025.04.08 / Last update : 2026.04.08

LOuss

BEST SAS, Capital 200 000€
RCS Dijon B 408 483 485
TVA/VAT n° : FR94 408 483 485
APE 2612Z

Tel. : +33 380 48 65 68
contact@louss.fr
www.louss.fr
Best & LOuss

Siège social / Head Office
PA Les Terres d'Or
Route de Saint Philibert
21220 Gevrey Chambertin - FRANCE

3/6



MYSTA • Plug • Plug-B

Easy Swap System



All the connections have to be made before powering up,
otherwise the luminaires could be seriously damaged

Creation : 2025.04.08 / Last update : 2026.04.08

LOUSS

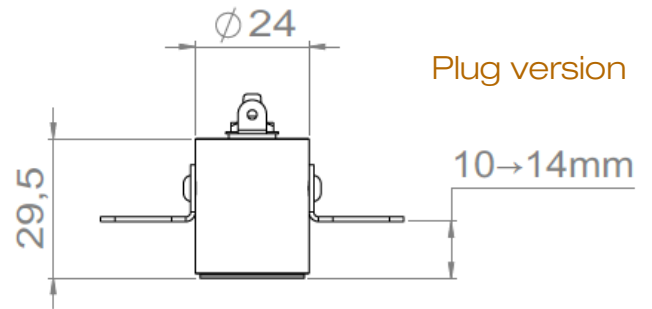
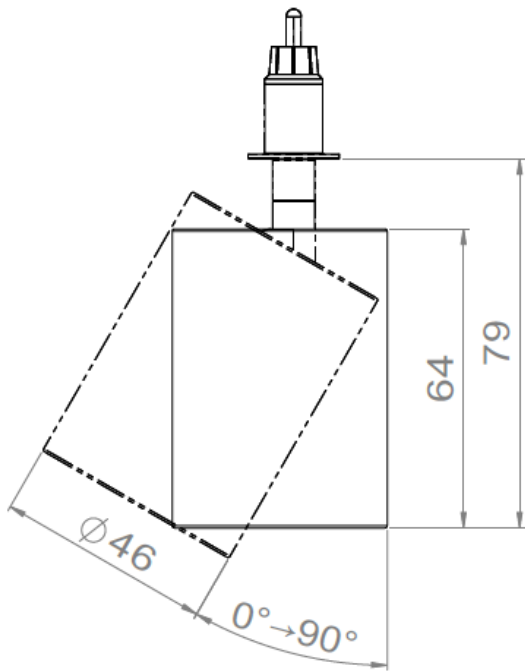
BEST SAS, Capital 200 000€
RCS Dijon B 408 483 485
TVA/VAT n° : FR94 408 483 485
APE 2612Z

Tel. : +33 380 48 65 68
contact@louss.fr
www.louss.fr
Best & LOUSS

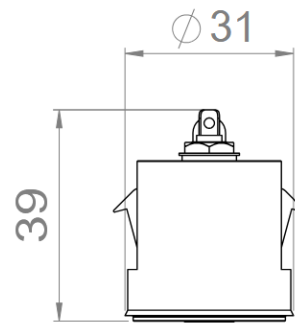
Siège social / Head Office
PA Les Terres d'Or
Route de Saint Philibert
21220 Gevrey Chambertin - FRANCE



MYSTA Plug • Plug-B Dimensions



Plug version



Plug-B version
(installation in a
concrete ceiling)

After installation

Plug version



Plug-B version



All the connections have to be made before powering up,
otherwise the luminaires could be seriously damaged

Creation : 2025.04.08 / Last update : 2026.04.08

LOUSS

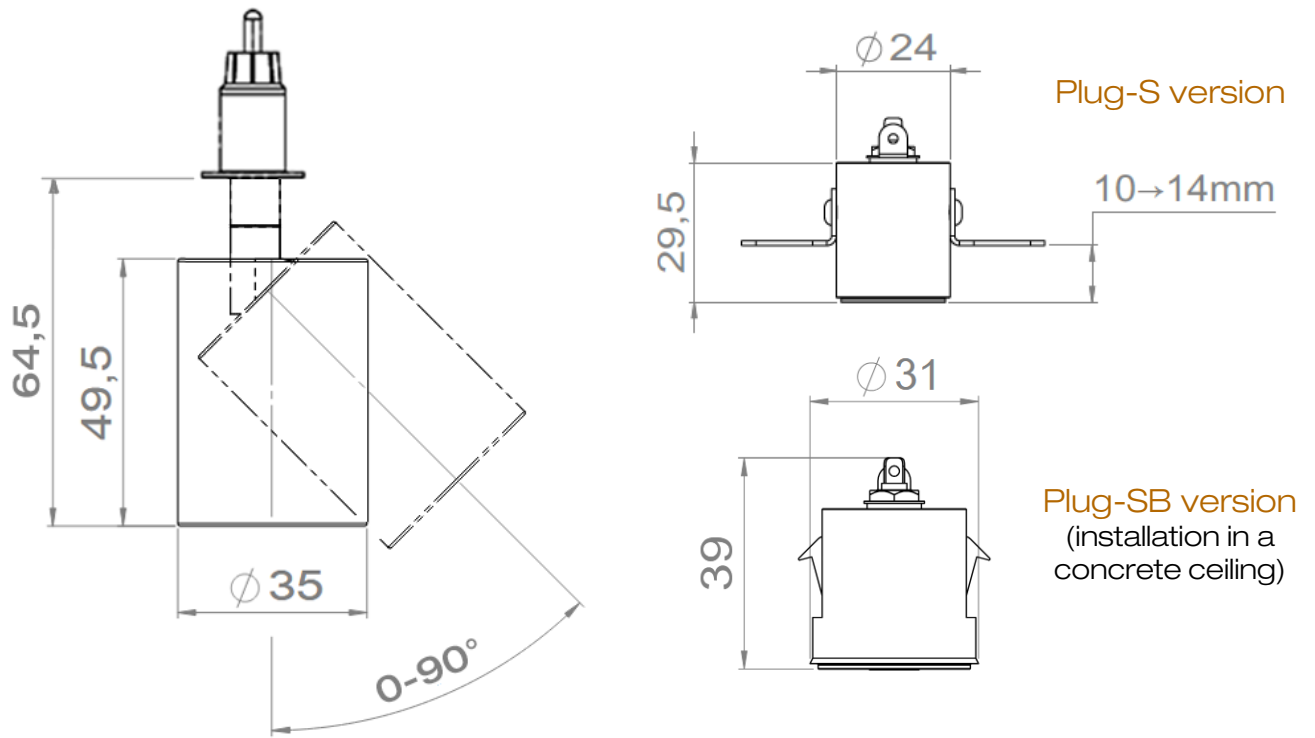
BEST SAS, Capital 200 000€
RCS Dijon B 408 483 485
TVA/VAT n° : FR94 408 483 485
APE 2612Z

Tel. : +33 380 48 65 68
contact@louss.fr
www.louss.fr
Best & LOUSS

Siège social / Head Office
PA Les Terres d'Or
Route de Saint Philibert
21220 Gevrey Chambertin - FRANCE



MYSTA Plug-S • Plug-SB Dimensions



After installation

Plug-S version



Plug-SB version



All the connections have to be made before powering up,
otherwise the luminaires could be seriously damaged

Creation : 2025.04.08 / Last update : 2026.04.08

LOUSS

BEST SAS, Capital 200 000€
RCS Dijon B 408 483 485
TVA/VAT n° : FR94 408 483 485
APE 2612Z

Tel. : +33 380 48 65 68
contact@louss.fr
www.louss.fr
Best & LOUSS

Siège social / Head Office
PA Les Terres d'Or
Route de Saint Philibert
21220 Gevrey Chambertin - FRANCE

LOUSS

Lighting Emotion



MYSTA ON TRACK



MYSTA ON TRACK

48V-Stucchi

230V

| | | | | |
|---|--|--|--------------|-------------------|
| Range | Adjustable low luminance spotlight on track for general and accent lighting | | | |
| Description | Low luminance Rotation 355° - Adjustable tilt 90° En option : Changement de LED, optique & accessoires sur site sans outil, grâce au système Easy Swap (voir page 4) | | | |
| Finish | White RAL 9003 matt finish Black RAL 9005 matt finish (other upon request) | | | |
| Dimensions | 48V-Stucchi | 230V | | |
| | Spotlight Spotlight diameter : 46mm Spotlight length : 64mm Driver length : 98mm (On/Off, PWM) 166mm (DALI) Track - Stucchi Evo System ST1 : 26.2 x 21mm (For other EVO-S tracks, please see Stucchi documentation) | Spotlight Spotlight diameter : 46mm Spotlight length : 64mm Driver length : 162mm (On/Off - 700mA) 228mm (On/Off - 1,050mA) 253mm (DALI - 700mA) | | |
| Net weight | 48V-Stucchi | 230V | | |
| | Spotlight 0.180 kg Track - Stucchi Evo System ST1 : 0.70 kg/m (For other EVO-S tracks, please see Stucchi documentation) | Spotlight 0.250 kg (without track) | | |
| LED characteristics | 2700K - 3000K - 3500K - 4000K - 5000K (other upon request) MacAdam ellipse : 3 SDCM (standard version) - 2 SDCM (premium version) CRI90 (standard version) - CRI95, R9 > 80 (premium version) | | | |
| Optical beams & Performances | Beam | Candela | Power | Photometry |
| | 11° | 10 900cd (3000K) | 7W | ies 2591A |
| | 16° | 6 300 cd (3500K) | 8W | ies 2645A |
| | 20° | 4 400 cd (3500K) | 7W | ies 2510A |
| | 23° | 3 100 cd (3500K) | 7W | ies 2511A |
| | 34° | 1 700 cd (3500K) | 8W | ies 2617B |
| 43° | 1 050 cd (3500K) | 7W | ies 2513A | |

All the connections have to be made before powering up, otherwise the luminaires could be seriously damaged

Creation : 2025.04.08 / Last update : 2026.04.08

LOUSS

BEST SAS, Capital 200 000€
 RCS Dijon B 408 483 485
 TVA/VAT n° : FR94 408 483 485
 APE 2612Z

Tel. : +33 380 48 65 68
 contact@louss.fr
 www.louss.fr
 Best & LOUSS

Siège social / Head Office
 PA Les Terres d'Or
 Route de Saint Philibert
 21220 Gevrey Chambertin - FRANCE



MYSTA ON TRACK

48V-Stucchi

230V

| | | |
|------------------------|---|---|
| Performances | 300 to 800 lumen UGR < 15 | |
| Accessories | Filters, honeycomb grid upon request | |
| Power | 4W to 10W according to version | |
| Power supply | 48V-Stucchi | 230V |
| | Spot adaptor for 48V Stucchi EVO-S track Separate power supply 230V/48V ON/OFF, PWM or DALI driver | Driver suitable for Global Trac Pro XTS track or equivalent (Erco, Trajectoire...) 700mA or 1,050mA max. ON/OFF driver or 700mA max. DALI driver |
| Use limitations | The product must be installed into a ventilated area Any use with an ambient temperature higher than the specified ambient temperature (Ta) would lead to a more rapid mortality of the product and the withdrawal of our guarantees The drivers, if not delivered by LOuss, must be approved before use | |
| Warranty | Life span: L80B10 at 50,000 hours (80% remaining flux) at 25°C ambient temperature. 3-year parts and labor warranty The warranty does not apply to products that have been opened, modified or repaired and does not cover the effects of a wrong connection, careless, abusive handling, overvoltage, lighting injury, as well as the normal wear of the product All products are electrically tested and received a functional burn-in | |

All the connections have to be made before powering up,
otherwise the luminaires could be seriously damaged

Creation : 2025.04.08 / Last update : 2026.04.08

LOuss

BEST SAS, Capital 200 000€
RCS Dijon B 408 483 485
TVA/VAT n° : FR94 408 483 485
APE 2612Z

Tel. : +33 380 48 65 68
contact@louss.fr
www.louss.fr
Best & LOuss

Siège social / Head Office
PA Les Terres d'Or
Route de Saint Philibert
21220 Gevrey Chambertin - FRANCE



MYSTA ON TRACK • 48V-Stucchi • 230V

Easy swap system



All the connections have to be made before powering up,
otherwise the luminaires could be seriously damaged

Creation : 2025.04.08 / Last update : 2026.04.08

LOUSS

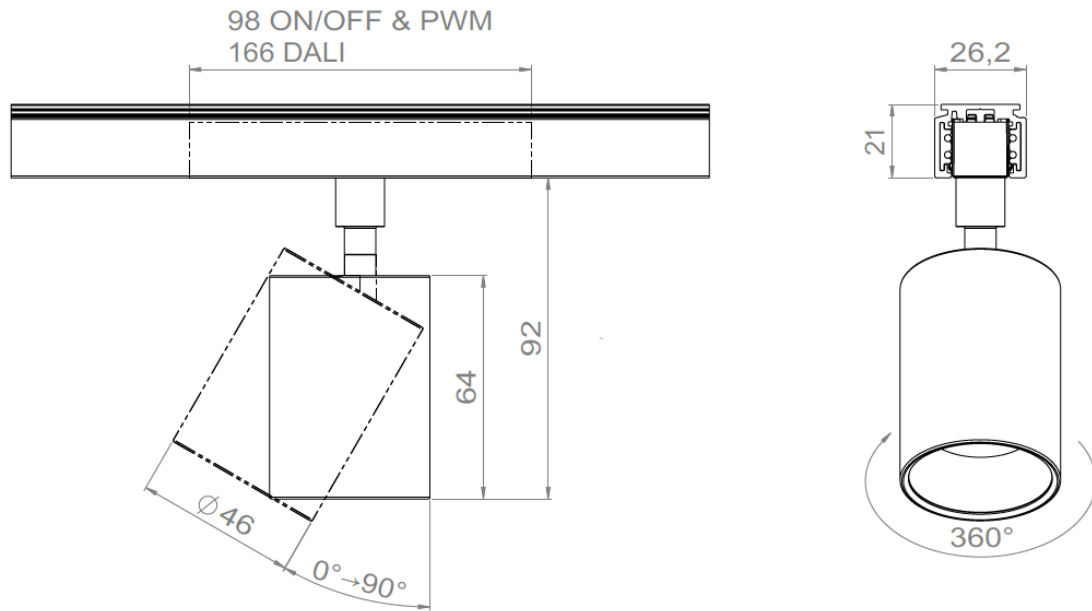
BEST SAS, Capital 200 000€
RCS Dijon B 408 483 485
TVA/VAT n° : FR94 408 483 485
APE 2612Z

Tel. : +33 380 48 65 68
contact@louss.fr
www.louss.fr
Best & LOUSS

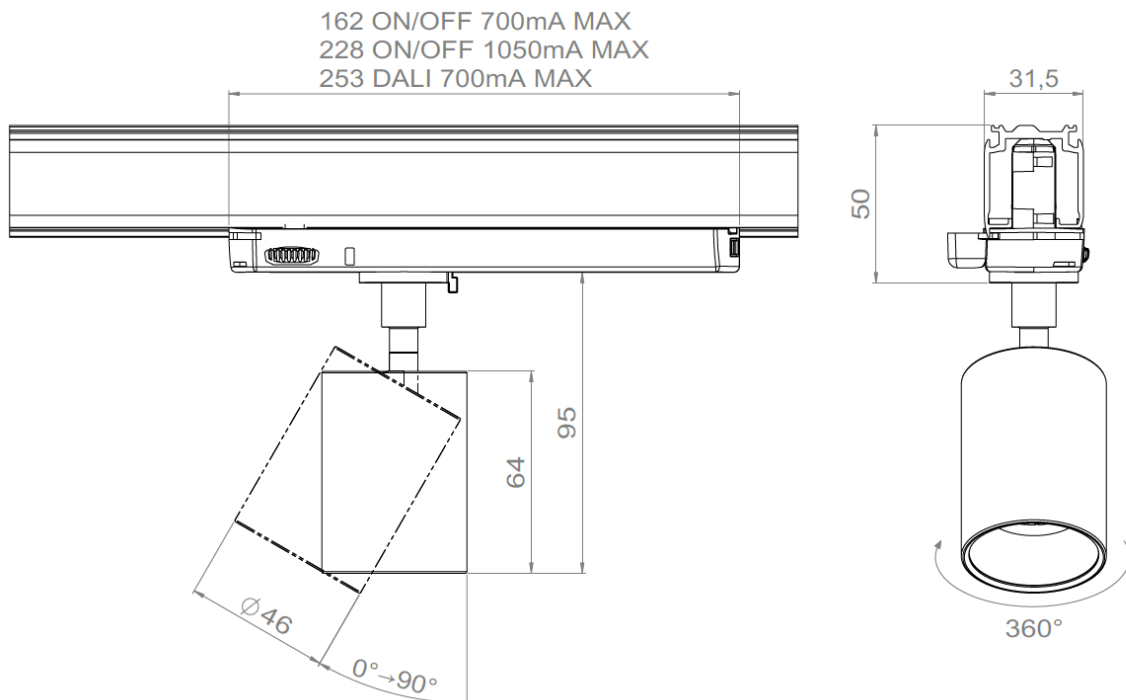
Siège social / Head Office
PA Les Terres d'Or
Route de Saint Philibert
21220 Gevrey Chambertin - FRANCE



MYSTA ON TRACK 48V-S



MYSTA ON TRACK 230V



All the connections have to be made before powering up,
otherwise the luminaires could be seriously damaged

Creation : 2025.04.08 / Last update : 2026.04.08

LOUSS

BEST SAS, Capital 200 000€
RCS Dijon B 408 483 485
TVA/VAT n° : FR94 408 483 485
APE 2612Z

Tel. : +33 380 48 65 68
contact@louss.fr
www.louss.fr
Best & LOUSS

Siège social / Head Office
PA Les Terres d'Or
Route de Saint Philibert
21220 Gevrey Chambertin - FRANCE