

Wouss

Firalux

MYSTA RANGE



Index



Mysta Recessed - 3



Trim



Trimless

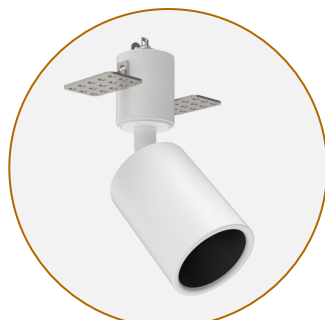
Mysta Plug - 9



Plug



Plug-B



Plug-S



Plug-SB

Mysta On-Track - 15



48V-Stucchi



230V

LOUSS

Lighting Emotion



MYSTA RECESSED

The mysterious luminaire



MYSTA • Trimless • Trim

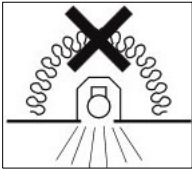
Range	Adjustable low luminance recessed spotlight for general & accent lighting			
Description	Rotation 360° - Adjustable tilt 30° Optional : Easily changeable LED, optics and accessories on site, without any tool, with integrated Easy Swap system (see page 4)			
Finish	White RAL 9003 matt finish Black RAL 9005 matt finish (other upon request)			
Dimensions	Trimless		Trim	
	Spotlight diameter : 42mm Installation diameter : 74.5mm Installation depth : 85mm		Spotlight diameter : 42mm External diameter : 90.5mm Installation diameter : 74.5mm Installation depth : 83.5mm	
Net weight	± 0.150g according to version			
LED characteristics	2700K – 3000K – 3500K – 4000K – 5000K (other upon request) MacAdam ellipse : 3 SDCM (standard version) – 2 SDCM (premium version) CRI 90 (standard version) – CRI 95, R9>80 (premium version)			
Optical beams & Performances	Beam	Candela	Power	Photometry
	11°	10,900 cd (3000K)	7W	les 2591A
	16°	6,300 cd (3500K)	8W	les 2645A
	20°	4,400 cd (3500K)	7W	les 2510A
	23°	3,100cd (3500K)	7W	les 2511A
	34°	1,700cd (3500K)	8W	les 2617A
	43°	1,050 cd (3500K)	7W	les 2513A
	Other beams upon request 300 to 800 lumen UGR < 15			
Accessories	Filters, honeycomb grid upon request			
Connection	Supplied with 0.5m cable (more length upon request)			
Separate power supply	700mA max. external constant current driver Dimmable driver upon request For the US & Canada use a UL class 2 driver			
Consumption	4W to 9W max. according to version			

All the connections have to be made before powering up,
otherwise the luminaires could be seriously damaged

Creation : 2025.04.08 / Last update : 2026.05.06



MYSTA • Trimless • Trim

<p>Use limitations</p> 	<p>The product must be installed into a ventilated area</p> <p>This product must not be covered by insulating material</p> <p>Any use with an ambient temperature higher than the specified ambient temperature (Ta) would lead to a more rapid mortality of the product and the withdrawal of our guarantees</p> <p>The drivers, if not delivered by LOuss, must be approved before use</p>
<p>Warranty</p>	<p>Life span: L80B10 at 50,000 hours (80% remaining flux) at 25°C ambient temperature.</p> <p>3-year parts and labor warranty</p> <p>The warranty does not apply to products that have been opened, modified or repaired and does not cover the effects of a wrong connection, careless, abusive handling, overvoltage, lighting injury, as well as the normal wear of the product</p> <p>All products are electrically tested and received a functional burn-in</p>

All the connections have to be made before powering up,
otherwise the luminaires could be seriously damaged

Creation : 2025.04.08 / Last update : 2026.05.06

LOuss

BEST SAS, Capital 200 000€
RCS Dijon B 408 483 485
TVA/VAT n° : FR94 408 483 485
APE 2612Z

Tel. : +33 380 48 65 68
contact@louss.fr
www.louss.fr
Best & LOuss

Siège social / Head Office
PA Les Terres d'Or
Route de Saint Philibert
21220 Gevrey Chambertin - FRANCE



MYSTA • Trimless • Trim

Easy Swap System



All the connections have to be made before powering up,
otherwise the luminaires could be seriously damaged

Creation : 2025.04.08 / Last update : 2026.05.06

LOUSS

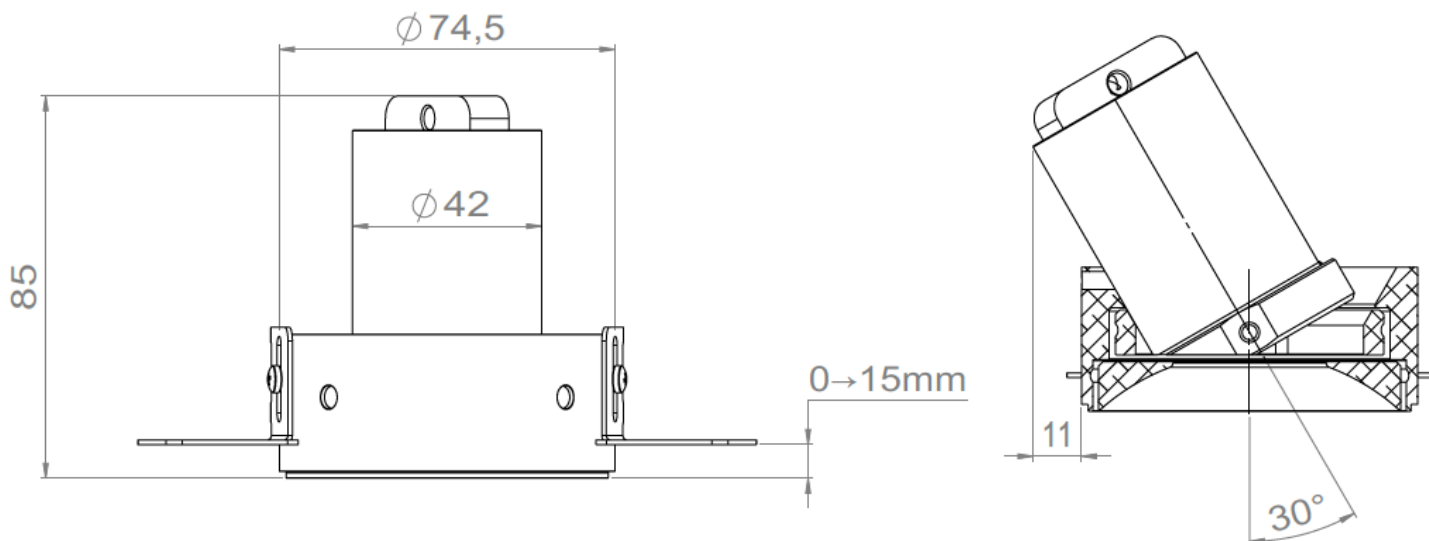
BEST SAS, Capital 200 000€
RCS Dijon B 408 483 485
TVA/VAT n° : FR94 408 483 485
APE 2612Z

Tel. : +33 380 48 65 68
contact@louss.fr
www.louss.fr
Best & LOUSS

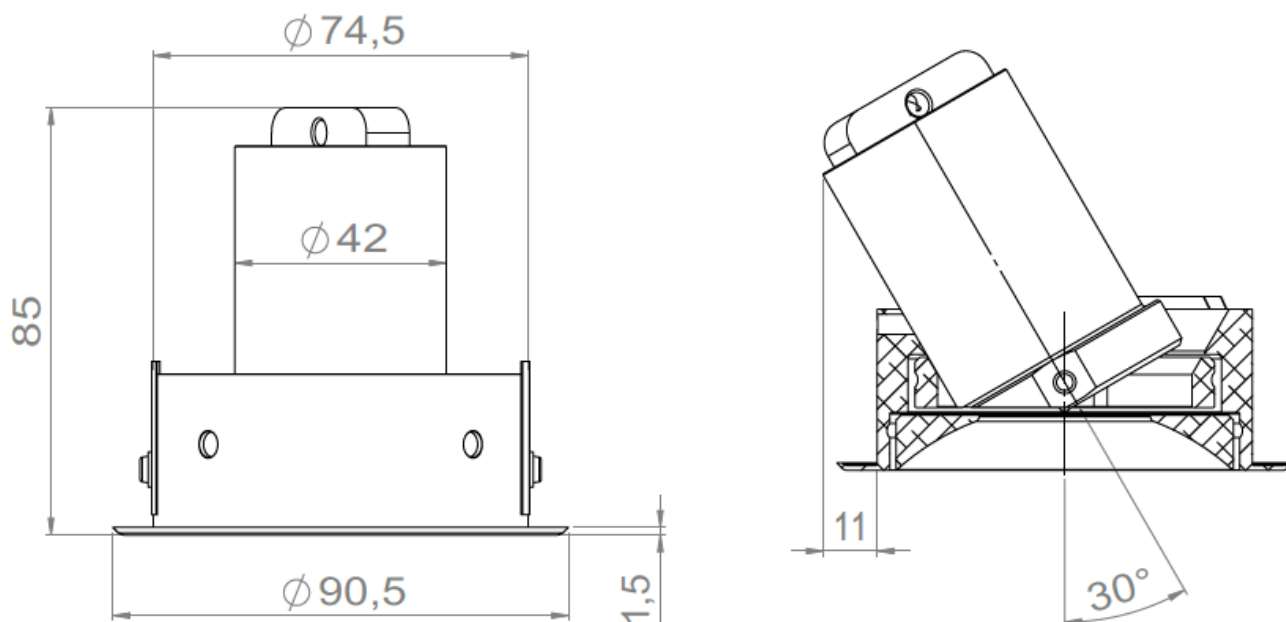
Siège social / Head Office
PA Les Terres d'Or
Route de Saint Philibert
21220 Gevrey Chambertin - FRANCE



MYSTA Trimless



MYSTA Trim



All the connections have to be made before powering up,
otherwise the luminaires could be seriously damaged

Creation : 2025.04.08 / Last update : 2026.05.06

LOUSS

BEST SAS, Capital 200 000€
RCS Dijon B 408 483 485
TVA/VAT n° : FR94 408 483 485
APE 2612Z

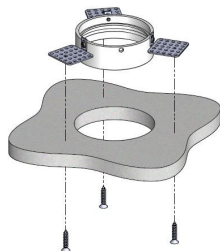
Tel. : +33 380 48 65 68
contact@louss.fr
www.louss.fr
Best & LOUSS

Siège social / Head Office
PA Les Terres d'Or
Route de Saint Philibert
21220 Gevrey Chambertin - FRANCE

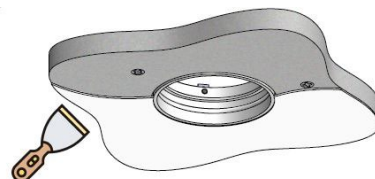


MYSTA Trimless Installation guide

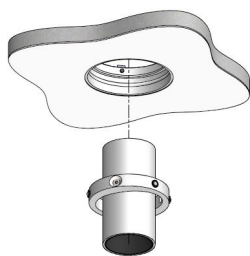
Installation from above



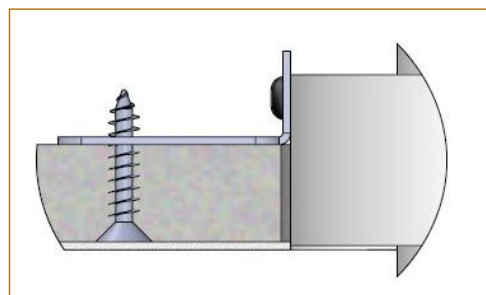
Install the recessed box from above
and screw it into the surface



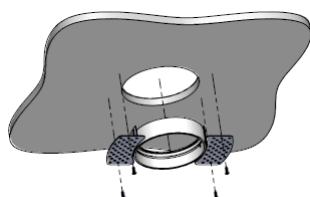
Cover the lateral plates of the recessed box
by coating and painting



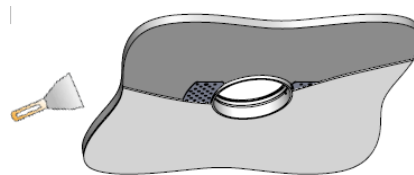
Insert the spotlight from below



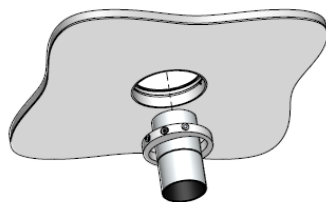
Installation from below



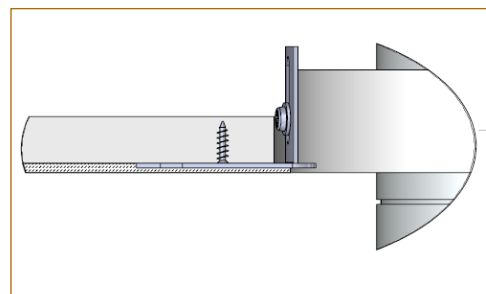
Install the recessed box from below
and screw it into the surface



Cover the lateral plates of the recessed box
by coating and painting



Insert the spotlight from below



All the connections have to be made before powering up,
otherwise the luminaires could be seriously damaged

Creation : 2025.04.08 / Last update : 2026.05.06

LOUSS

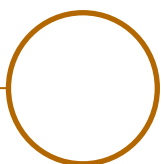
BEST SAS, Capital 200 000€
RCS Dijon B 408 483 485
TVA/VAT n° : FR94 408 483 485
APE 2612Z

Tel. : +33 380 48 65 68
contact@louss.fr
www.louss.fr
Best & LOUSS

Siège social / Head Office
PA Les Terres d'Or
Route de Saint Philibert
21220 Gevrey Chambertin - FRANCE

LOUSS

Lighting Emotion



MYSTA PLUG



Mysta Plug • Mysta Plug-B • Mysta Plug-S • Mysta Plug-SB

Range	Adjustable low luminance recessed spotlight for general & accent lighting	
Description	Rotation 360° - Adjustable tilt 90°	
	Plug	Plug-B
	Optional : Easily changeable LED, optics and accessories on site, without any tool, with integrated Easy Swap system (see page 4)	To be installed in a concrete surface Optional : Easily changeable LED, optics and accessories on site, without any tool, with integrated Easy Swap system (see page 4)
	Plug-S	Plug-SB
	Without Easy Swap system	To be installed in a concrete surface Without Easy Swap system
Finish	White RAL 9003 matt finish Black RAL 9005 matt finish (other upon request)	
Dimensions	Plug	Plug-B
	Spotlight diameter : 46.0mm Spotlight length : 64.0mm Installation diameter : 24.0mm Installation depth : 29.5mm	Spotlight diameter : 46.0mm Spotlight length : 64.0mm Installation diameter : 31.0mm Installation depth : 39.0mm
	Plug-S	Plug-SB
	Spotlight diameter : 35.0mm Spotlight length : 49.5mm Installation diameter : 24.0mm Installation depth : 29.5mm	Spotlight diameter : 35.0mm Spotlight length : 49.5mm Installation diameter : 31.0mm Installation depth : 39.0mm
Net weight	± 0.150g according to version	
LED characteristics	2700K – 3000K – 3500K – 4000K – 5000K (other upon request) MacAdam ellipse : 3 SDCM (standard version) – 2 SDCM (premium version) CRI 90 (standard version) – CRI 95, R9>80 (premium version)	
Accessories	Filters, honeycomb grid upon request	

All the connections have to be made before powering up,
otherwise the luminaires could be seriously damaged

Creation : 2025.04.08 / Last update : 2026.04.08



Mysta Plug • Mysta Plug-B • Mysta Plug-S • Mysta Plug-SB

Optical beams & Performances Plug & Plug-B	Beam	Candela	Power	Photometry
	11°	10,900 cd (3000K)	7W	les 2591A
	16°	6,300 cd (3500K)	8W	les 2645A
	20°	4,400 cd (3500K)	7W	les 2510A
	23°	3,100cd (3500K)	7W	les 2511A
	34°	1,700cd (3500K)	8W	les 2617A
	43°	1,050 cd (3500K)	7W	les 2513A
	Other beams upon request 300 to 800 lumen UGR < 15			
Optical beams & Performances Plug-S & Plug-SB	15° - 25° - 35° 150 to 400 lumen UGR < 15			
Connection	Supplied with 0.5m cable (more length upon request)			
Separate power supply	700mA max. external constant current driver Dimmable driver upon request For the US & Canada use a UL class 2 driver			
Consommation	Plug • Plug-B		Plug-S • Plug-SB	
	4W à 9W max. according to version		3W ou 4W max. according to version	
Use limitations	The product must be installed into a ventilated area Any use with an ambient temperature higher than the specified ambient temperature (Ta) would lead to a more rapid mortality of the product and the withdrawal of our guarantees The drivers, if not delivered by LOuss, must be approved before use			
Warranty	Life span: L80B10 at 50,000 hours (80% remaining flux) at 25°C ambient temperature. 3-year parts and labor warranty The warranty does not apply to products that have been opened, modified or repaired and does not cover the effects of a wrong connection, careless, abusive handling, overvoltage, lighting injury, as well as the normal wear of the product All products are electrically tested and received a functional burn-in			

All the connections have to be made before powering up,
otherwise the luminaires could be seriously damaged

Creation : 2025.04.08 / Last update : 2026.04.08

LOuss

3/6



MYSTA • Plug • Plug-B

Easy Swap System



All the connections have to be made before powering up,
otherwise the luminaires could be seriously damaged

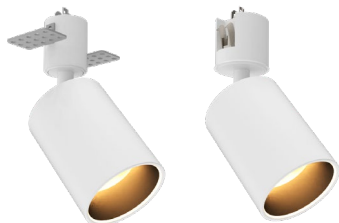
Creation : 2025.04.08 / Last update : 2026.04.08

LOUSS

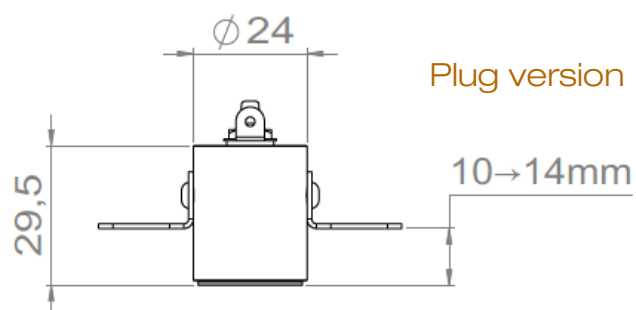
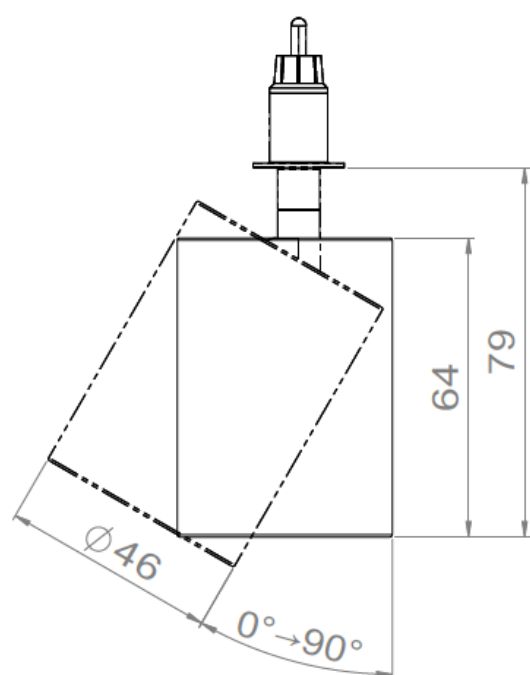
BEST SAS, Capital 200 000€
RCS Dijon B 408 483 485
TVA/VAT n° : FR94 408 483 485
APE 2612Z

Tel. : +33 380 48 65 68
contact@louss.fr
www.louss.fr
Best & LOUSS

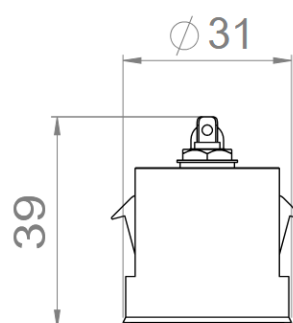
Siège social / Head Office
PA Les Terres d'Or
Route de Saint Philibert
21220 Gevrey Chambertin - FRANCE



MYSTA Plug • Plug-B Dimensions



Plug version



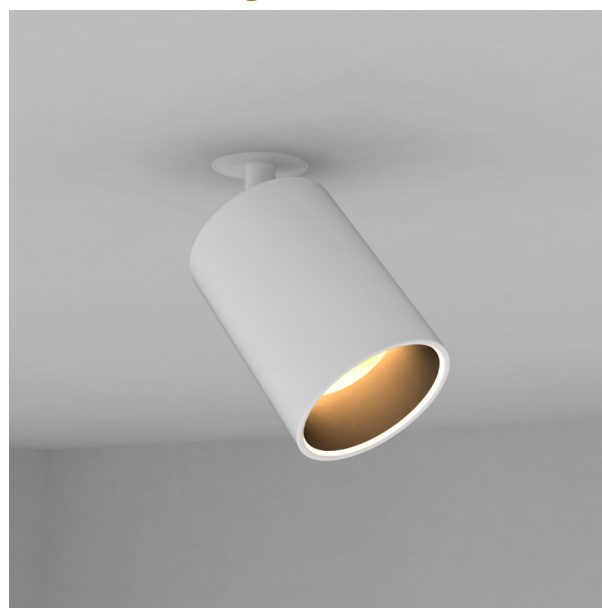
Plug-B version
(installation in a
concrete ceiling)

After installation

Plug version



Plug-B version



All the connections have to be made before powering up,
otherwise the luminaires could be seriously damaged

Creation : 2025.04.08 / Last update : 2026.04.08

LOUSS

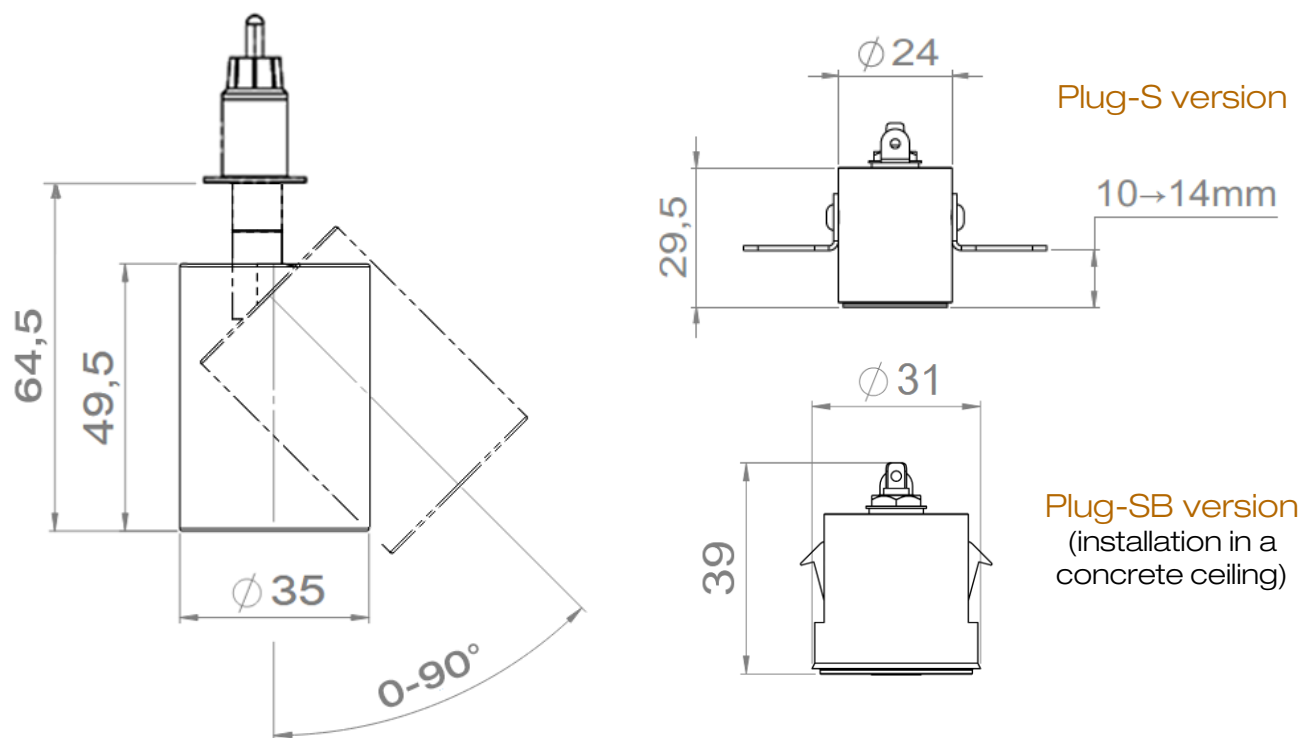
BEST SAS, Capital 200 000€
RCS Dijon B 408 483 485
TVA/VAT n° : FR94 408 483 485
APE 2612Z

Tel. : +33 380 48 65 68
contact@louss.fr
www.louss.fr
Best & LOUSS

Siège social / Head Office
PA Les Terres d'Or
Route de Saint Philibert
21220 Gevrey Chambertin - FRANCE



MYSTA Plug-S • Plug-SB Dimensions



After installation

Plug-S version



Plug-SB version



All the connections have to be made before powering up,
otherwise the luminaires could be seriously damaged

Creation : 2025.04.08 / Last update : 2026.04.08

LOUSS

BEST SAS, Capital 200 000€
RCS Dijon B 408 483 485
TVA/VAT n° : FR94 408 483 485
APE 2612Z

Tel. : +33 380 48 65 68
contact@louss.fr
www.louss.fr
Best & LOUSS

Siège social / Head Office
PA Les Terres d'Or
Route de Saint Philibert
21220 Gevrey Chambertin - FRANCE

LOUSS

Lighting Emotion



MYSTA ON TRACK





MYSTA ON TRACK

48V-Stucchi

230V

Performances	300 to 800 lumen UGR < 15	
Accessories	Filters, honeycomb grid upon request	
Power	4W to 10W according to version	
Power supply	48V-Stucchi	230V
	Spot adaptor for 48V Stucchi EVO-S track Separate power supply 230V/48V ON/OFF, PWM or DALI driver	Driver suitable for Global Trac Pro XTS track or equivalent (Ercos, Trajectoire...) 700mA or 1,050mA max. ON/OFF driver or 700mA max. DALI driver
Use limitations	The product must be installed into a ventilated area Any use with an ambient temperature higher than the specified ambient temperature (Ta) would lead to a more rapid mortality of the product and the withdrawal of our guarantees The drivers, if not delivered by LOuss, must be approved before use	
Warranty	Life span: L80B10 at 50,000 hours (80% remaining flux) at 25°C ambient temperature. 3-year parts and labor warranty The warranty does not apply to products that have been opened, modified or repaired and does not cover the effects of a wrong connection, careless, abusive handling, overvoltage, lighting injury, as well as the normal wear of the product All products are electrically tested and received a functional burn-in	

All the connections have to be made before powering up,
otherwise the luminaires could be seriously damaged

Creation : 2025.04.08 / Last update : 2026.04.08

LOuss

BEST SAS, Capital 200 000€
RCS Dijon B 408 483 485
TVA/VAT n° : FR94 408 483 485
APE 2612Z

Tel. : +33 380 48 65 68
contact@louss.fr
www.louss.fr
Best & LOuss

Siège social / Head Office
PA Les Terres d'Or
Route de Saint Philibert
21220 Gevrey Chambertin - FRANCE



MYSTA ON TRACK • 48V-Stucchi • 230V

Easy swap system



All the connections have to be made before powering up,
otherwise the luminaires could be seriously damaged

Creation : 2025.04.08 / Last update : 2026.04.08

LOUSS

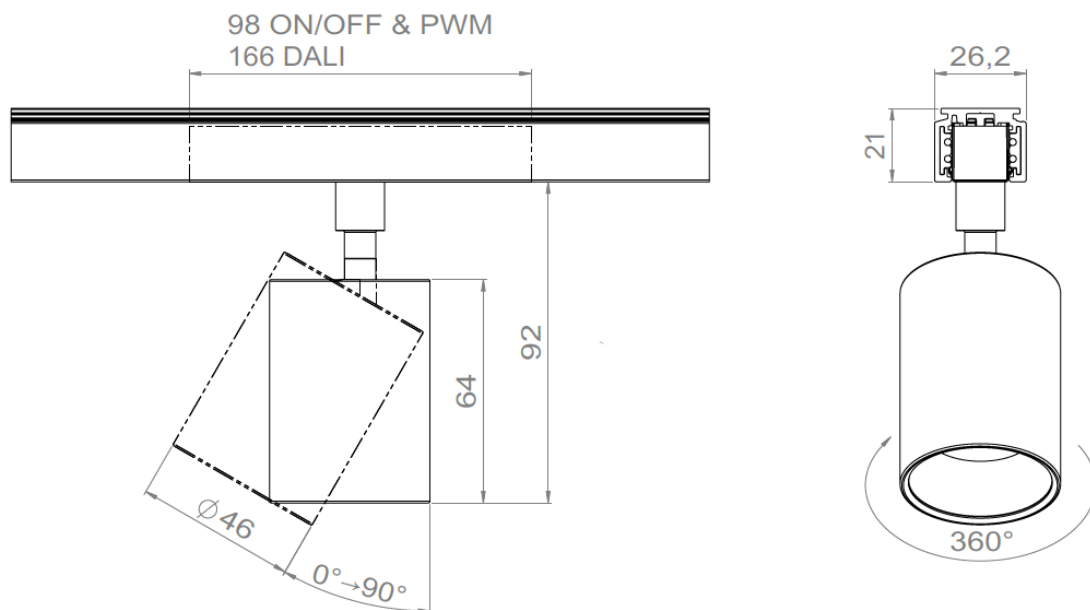
BEST SAS, Capital 200 000€
RCS Dijon B 408 483 485
TVA/VAT n° : FR94 408 483 485
APE 2612Z

Tel. : +33 380 48 65 68
contact@louss.fr
www.louss.fr
Best & LOUSS

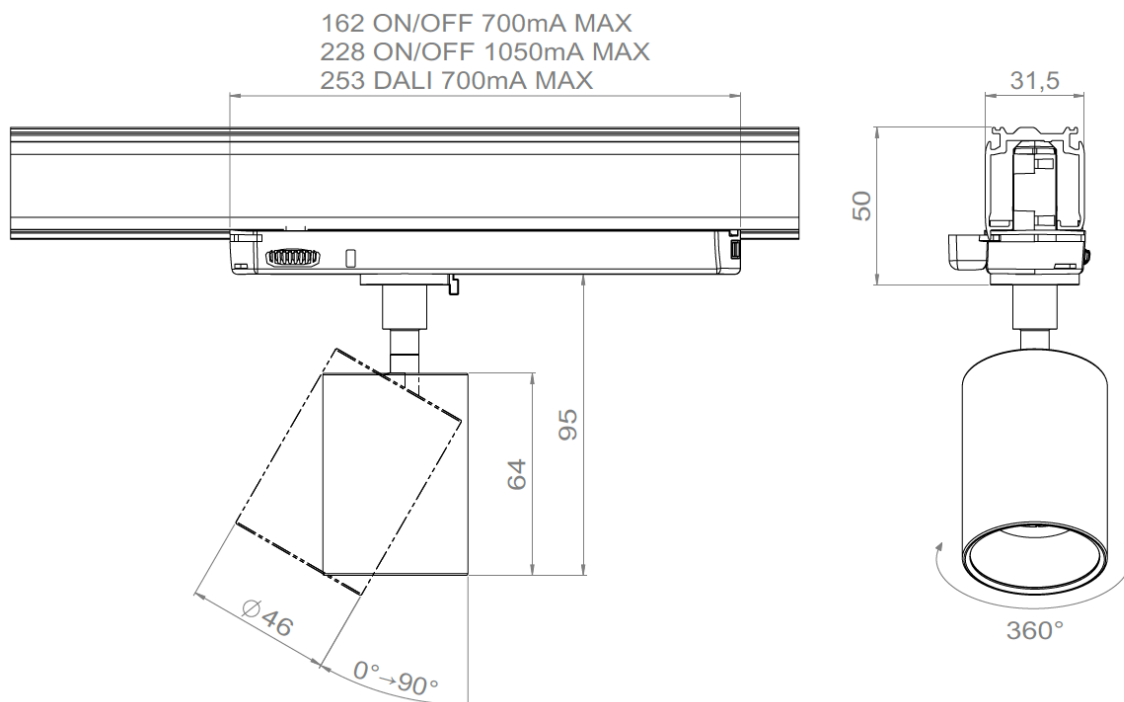
Siège social / Head Office
PA Les Terres d'Or
Route de Saint Philibert
21220 Gevrey Chambertin - FRANCE



MYSTA ON TRACK 48V-S



MYSTA ON TRACK 230V



All the connections have to be made before powering up,
otherwise the luminaires could be seriously damaged

Creation : 2025.04.08 / Last update : 2026.04.08

LOUSS

BEST SAS, Capital 200 000€
RCS Dijon B 408 483 485
TVA/VAT n° : FR94 408 483 485
APE 2612Z

Tel. : +33 380 48 65 68
contact@louss.fr
www.louss.fr
Best & LOUSS

Siège social / Head Office
PA Les Terres d'Or
Route de Saint Philibert
21220 Gevrey Chambertin - FRANCE

5/5