

Wouss

Firalux

AURORE RANGE



Index



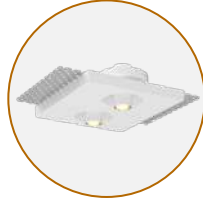
Aurore D22



Recessed
3



On-Plate
10



Staff
15

Aurore D40



Recessed
23



Wall-Mounted
32-38



On-Track
41

Aurore D42



Recessed
48



Wall-Mounted
55

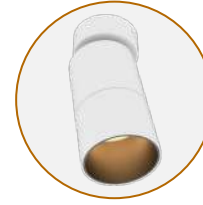


On-Track
61

Aurore D52



Recessed
67



Wall-Mounted
77-80



On-Track
82

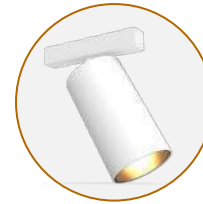
Aurore D55



Recessed
88

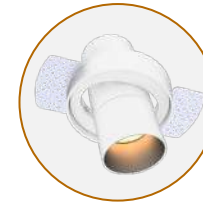


Wall-Mounted
95



On-Track
99

Aurore D60



Recessed
105



Wall-Mounted
111-114



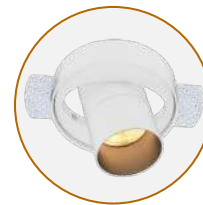
On-Track
116

Aurore D75



Recessed
120

Aurore D82



Recessed
126



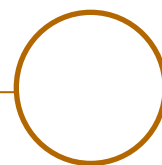
Wall-Mounted
132



On-Track
137



AURORE D22 RECESSED





Trim



Trim Flush



Trim Short



Trimless



Trimless Flush



Trimless Short



Trimless Pivot

AURORE D22 RECESSED

Range	Highly adjustable recessed ceiling downlights for general & accent lighting	
Description	Low luminance Rotation 360° Trim, Trim Short, Trimless & Trimless Short : Adjustable tilt 30° Trim Flush & Trimless Flush : Adjustable tilt 20° Trimless Pivot : Adjustable tilt 90°	
Finish	Black RAL 9005 matt finish White RAL 9003 matt finish (other upon request)	
Dimensions & installation	Trim & Trim Flush	Trimless & Trimless Flush
	Spotlight diameter : 22mm Installation diameter : 44.5mm Product height : 51mm (no specific tool required)	Spotlight diameter : 22mm Installation diameter : 44.5mm Product height : 50mm (Trimless) 53.5mm (Trimless Flush)
	Trim Short	Trimless Short
	Spotlight diameter : 22mm Installation diameter : 44.5mm Product height : 51mm (no specific tool required)	Spotlight diameter : 22mm Installation diameter : 44.5mm Product height : 36.7mm
		Trimless Pivot
	Spotlight diameter : 22mm Installation diameter : 44.5mm Spotlight length : 51mm Product height : 67mm Net weight : 0.106 kg	
Weight	± 0.06 kg according to version	
LED characteristics	2000K – 2200K – 2700K – 3000K – 3500K – 4000K – 4500K (other upon request) Mix of 2 color temperatures MacAdam Ellipse : 3 SDCM CRI : 90 – 95 – 98	

All the connections have to be made before powering up,
otherwise the luminaires could be seriously damaged



Trim



Trim Flush



Trim Short



Trimless



Trimless Flush



Trimless Short



Trimless Pivot

AURORE D22 RECESSED

Optical beams	11° - 15° - 19° - 24° - 30° - 35° - 40° - 12°x70° - 14°x38° - 22°x35° UGR < 15			
Accessories	Frosted filter (optional)			
Photometry	Reference	Beam	Lumen	Candela
3000K - CRI 90	2536B	11°	166	3,616
	2537B	35°	150	451
	2535B	12°x70°	133	519
	2534B	14°x38°	162	812
	2539B	22°x35°	99	356
3500K - CRI 90	2536A	11°	174	3,805
	2211B	19°	148	1,001
	2538A	24°	168	1,022
	2537A	35°	158	475
Connection	Supplied with 0.50m cable			
Power supply	900mA max. remote constant current driver Dimmable driver upon request			
Power	Trim • Trim Flush Trimless • Trimless Flush • Trimless Pivot		Trim Short • Trimless Short	
	3W at 900mA max		2W at 700mA max	
Use limitations	<p>The product must be installed into a ventilated area.</p> <p>This product must not be covered with insulating material</p> <p>Any use with an ambient temperature higher than the specified ambient temperature (Ta) would lead to a more rapid mortality of the product and the withdrawal of our guarantees</p> <p>The drivers, if not delivered by LOuss, must be approved before use</p>			
Warranty	<p>Life span: L80-B10 = 35,000 hours (80% remaining flux) at 30°C ambient temperature</p> <p>The warranty applies to components and fabrication supplied by LOuss. The warranty does not apply to products that have been opened, modified or repaired and does not cover the effects of a wrong connection, careless, abusive handling, overvoltage, lighting injury, as well as the normal wear of the product. All products are electrically tested and receive a functional burn-in</p>			

All the connections have to be made before powering up,
otherwise the luminaires could be seriously damaged

LOuss

Creation : 2023.02.22 / Last update : 2026.05.05 - R

3/7

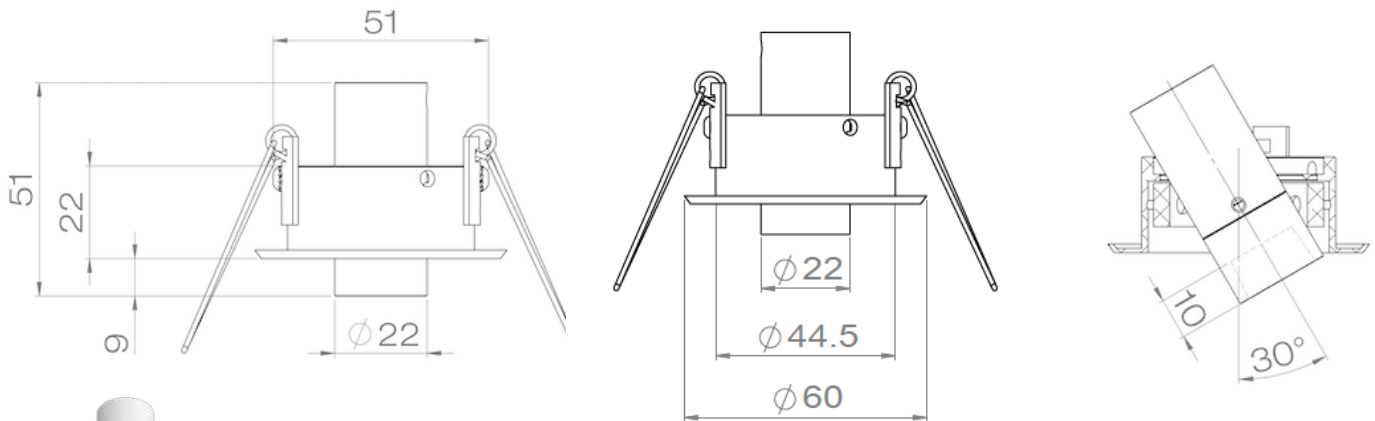
BEST SAS, Capital 200 000€
RCS Dijon B 408 483 485
TVA/VAT n° : FR94 408 483 485
APE 2612Z

Tel. : +33 380 48 65 68
contact@louss.fr
www.louss.fr
Best & LOuss

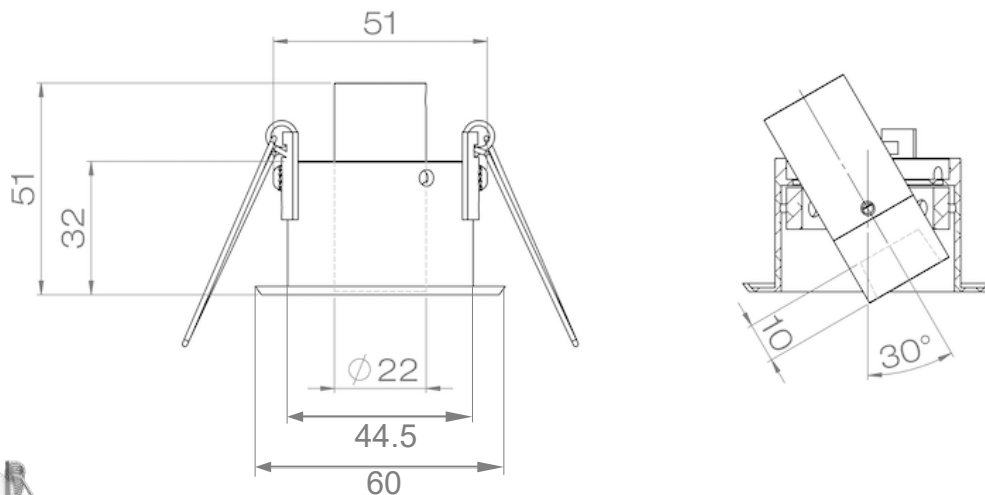
Siège social / Head Office
PA Les Terres d'Or
Route de Saint Philibert
21220 Gevrey Chambertin - FRANCE



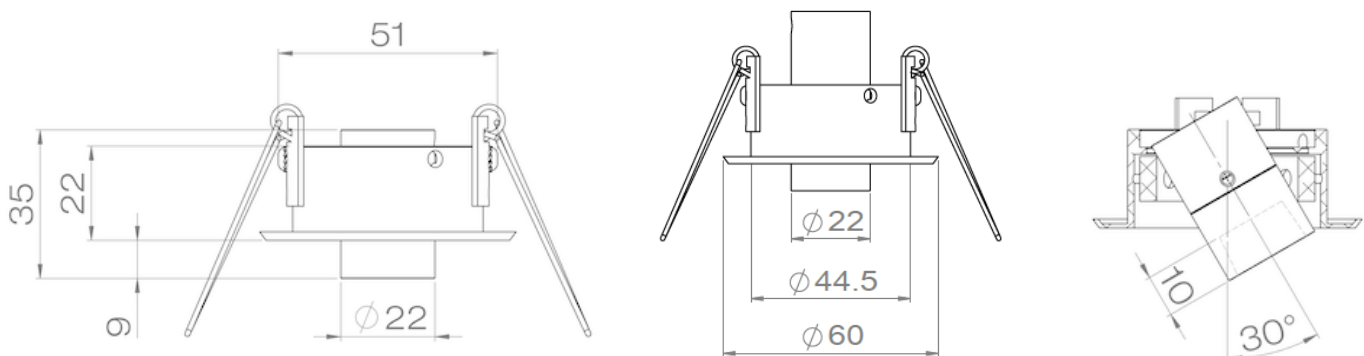
AURORE D22 TRIM



AURORE D22 TRIM FLUSH



AURORE D22 TRIM SHORT



All the connections have to be made before powering up,
otherwise the luminaires could be seriously damaged

louss

Creation : 2023.02.22 / Last update : 2026.05.05 - R

4/7

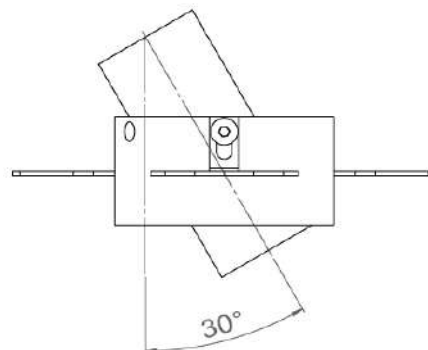
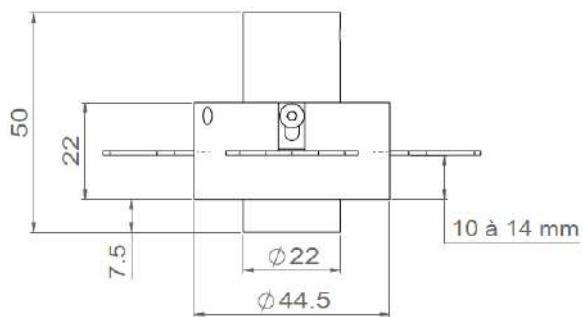
BEST SAS, Capital 200 000€
RCS Dijon B 408 483 485
TVA/VAT n° : FR94 408 483 485
APE 2612Z

Tel. : +33 380 48 65 68
contact@louss.fr
www.louss.fr
Best & LOUSS

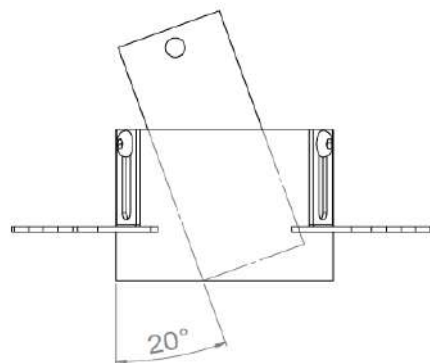
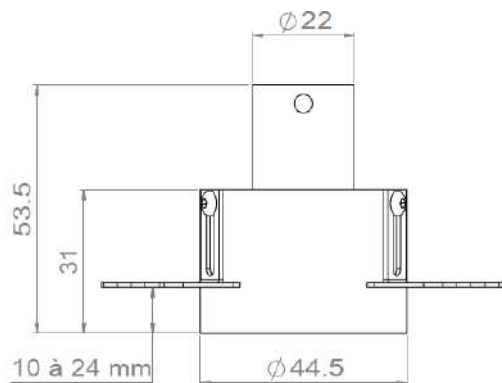
Siège social / Head Office
PA Les Terres d'Or
Route de Saint Philibert
21220 Gevrey Chambertin - FRANCE



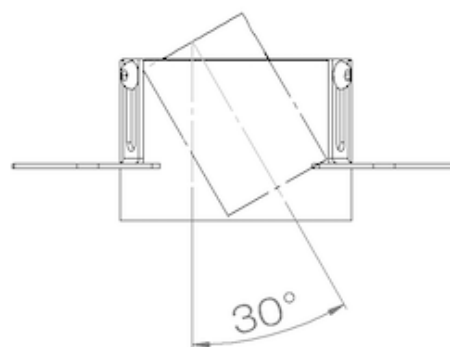
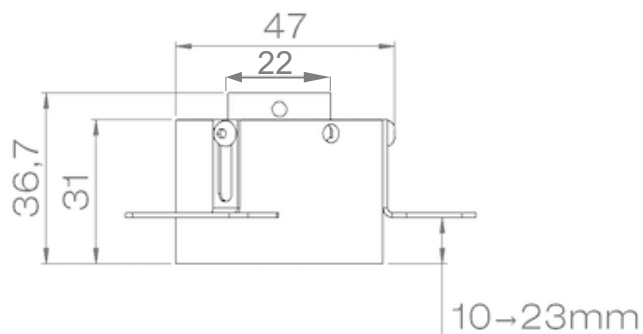
AURORE D22 TRIMLESS



AURORE D22 TRIMLESS FLUSH



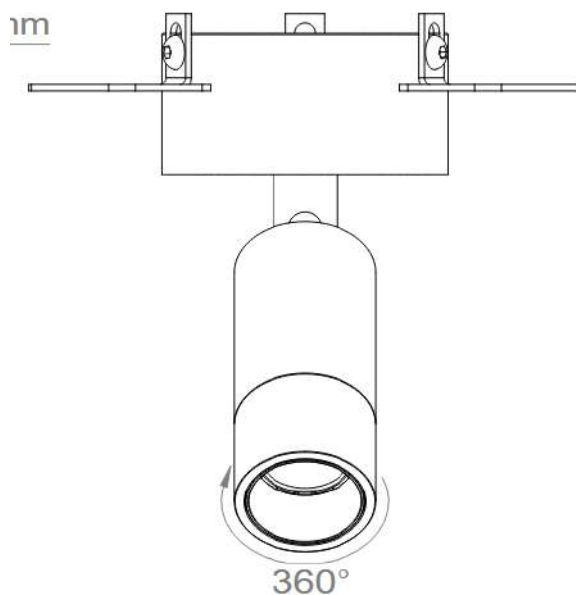
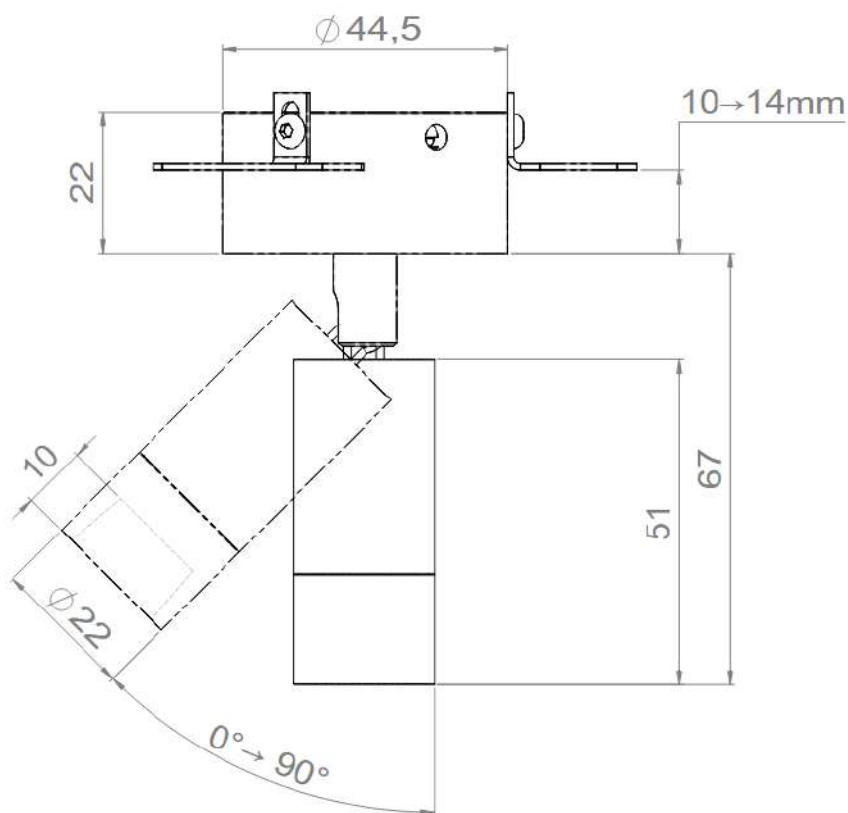
AURORE D22 TRIMLESS SHORT



All the connections have to be made before powering up,
otherwise the luminaires could be seriously damaged



AURORE D22 TRIMLESS PIVOT



All the connections have to be made before powering up,
otherwise the luminaires could be seriously damaged

LOUSS

Creation : 2023.02.22 / Last update : 2026.05.05 - R

6/7

BEST SAS, Capital 200 000€
RCS Dijon B 408 483 485
TVA/VAT n° : FR94 408 483 485
APE 2612Z

Tel. : +33 380 48 65 68
contact@louss.fr
www.louss.fr
Best & LOUSS

Siège social / Head Office
PA Les Terres d'Or
Route de Saint Philibert
21220 Gevrey Chambertin - FRANCE



Trimless



Trimless Flush

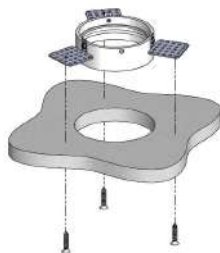


Trimless Short

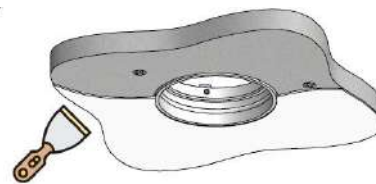


Trimless Pivot

Installation from above



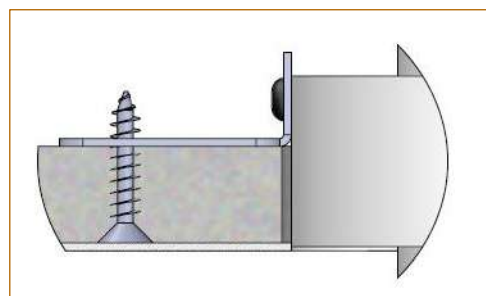
Install the recessed box from above and screw it onto the surface



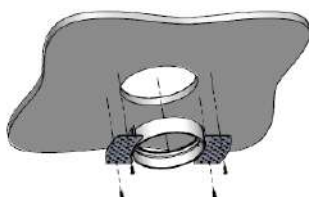
Cover the lateral plates of the recessed box by coating and painting



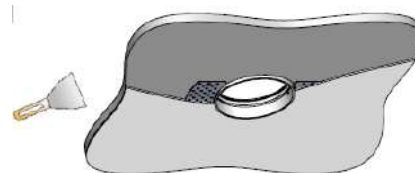
Insert the spotlight from below



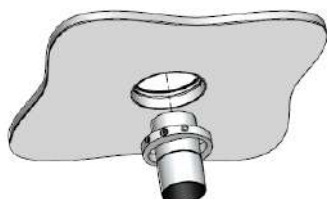
Installation from below



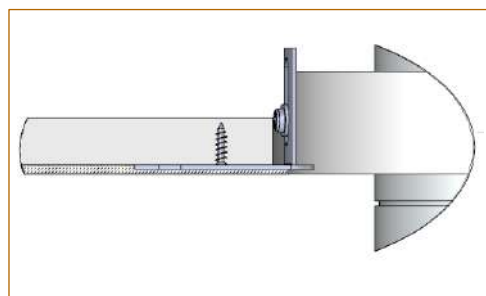
Install the recessed box from below and screw it onto the surface



Cover the lateral plates of the recessed box by coating and painting



Insert the spotlight from below



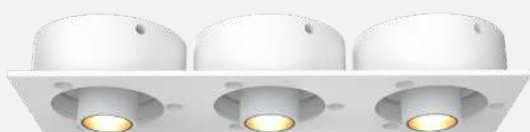
All the connections have to be made before powering up, otherwise the luminaires could be seriously damaged



Aurore D22 Solo



Aurore D22 Duo



Aurore D22 Trio



Aurore D22 Quattro

AURORE D22 ON PLATE



AURORE D22 • SOLO • DUO • TRIO • QUATTRO

Range	Highly adjustable recessed ceiling downlights on plate for general & accent lighting			
Description	1 low luminance LED spot on a metal plate or a cluster of 2, 3 or 4 low luminance LED spots on metal plate Rotation 360° - Adjustable tilt 30°			
Finish	Black RAL 9005 matt finish - White RAL 9003 matt finish (other upon request)			
Dimensions	Spotlight		Metal plate	
	Diameter : 22mm Height : 34.7mm (with metal plate) Center distance between 2 spots : 60mm		Solo : 60x60mm	Duo : 120x60mm
Net weight	Solo : 0.480 kg Duo : 0.360 kg Trio : 0.240 kg Quattro : 0.120 kg			
LED characteristics	2200K - 2700K - 3000K - 3500K - 4000K - 5000K (other upon request) MacAdam ellipse : 3 SDCM (standard) CRI : 90 - 95 - 98 UGR < 15			
Optical beams	11° - 19° - 24° - 35° - 12°x70° - 14°x38° - 22°x35°			
Photometry/spotlight	Reference	Beam	Lumen	Candela
3000K - CRI 90 R9 > 80	2536B	11°	166	3,616
	2537B	35°	150	451
	2535B	12°x70°	133	519
	2534B	14°x38°	162	812
	2539B	22°x35°	99	356
3500K - CRI 90 R9 > 80	2536A	11°	174	3,805
	2211B	19°	148	1,001
	2538A	24°	168	1,022
	2537A	35°	158	475
Power	Solo : 2W at 700mA max Duo : 4W at 700mA max Trio : 6W at 700mA max Quattro : 8W at 700mA max			
Power supply	Remote constant current driver 700mA max Dimmable driver upon request			

All the connections have to be made before powering up,
otherwise the luminaires could be seriously damaged

LOUSS

Creation : 2025.03.27 / Last update: 2025.06.04 - R

2/5

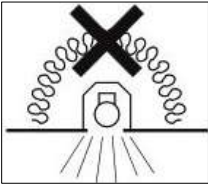
BEST SAS, Capital 200 000€
RCS Dijon B 408 483 485
TVA/VAT n° : FR94 408 483 485
APE 2612Z

Tel. : +33 380 48 65 68
contact@louss.fr
www.louss.fr
Best & LOUSS

Siège social / Head Office
PA Les Terres d'Or
Route de Saint Philibert
21220 Gevrey Chambertin - FRANCE



AURORE D22 • SOLO • DUO • TRIO • QUATTRO

<p>Use limitations</p> 	<p>The product must be installed into a ventilated area</p> <p>This product must not be covered with insulating material</p> <p>Any use with an ambient temperature higher than the specified ambient temperature (T_a) would lead to a more rapid mortality of the product and the withdrawal of our guarantees</p> <p>The drivers, if not delivered by LOuss, must be approved before use</p>
<p>Warranty</p>	<p>Life span: L80-B10 = 35,000 hours (80% remaining flux) at 30°C ambient temperature</p> <p>The warranty applies to components and fabrication supplied by Louss</p> <p>The warranty does not apply to products that have been opened, modified or repaired and does not cover the effects of a wrong connection, careless, abusive handling, overvoltage, lighting injury, as well as the normal wear of the product</p> <p>All products are electrically tested and receive a functional burn-in</p>

All the connections have to be made before powering up,
otherwise the luminaires could be seriously damaged

LOuss

Creation : 2025.03.27 / Last update: 2025.06.04 - R

3/5

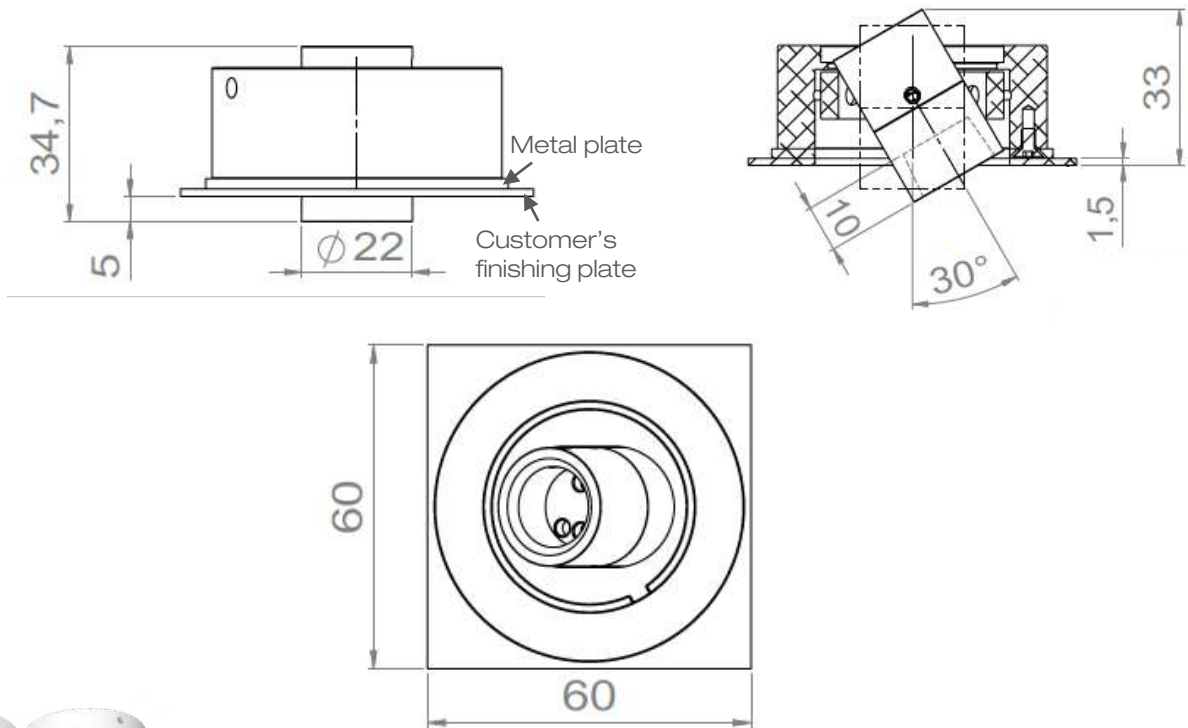
BEST SAS, Capital 200 000€
RCS Dijon B 408 483 485
TVA/VAT n° : FR94 408 483 485
APE 2612Z

Tel. : +33 380 48 65 68
contact@louss.fr
www.louss.fr
Best & LOuss

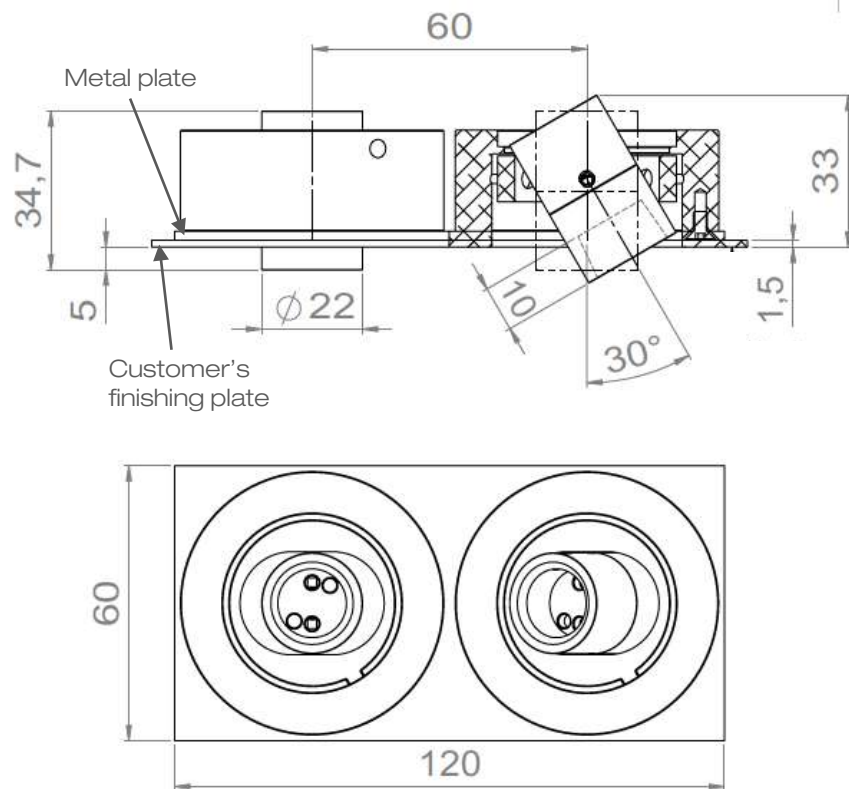
Siège social / Head Office
PA Les Terres d'Or
Route de Saint Philibert
21220 Gevrey Chambertin - FRANCE



AURORE D22 SOLO



AURORE D22 DUO



All the connections have to be made before powering up,
otherwise the luminaires could be seriously damaged

lOuss

Creation : 2025.03.27 / Last update: 2025.06.04 - R

4/5

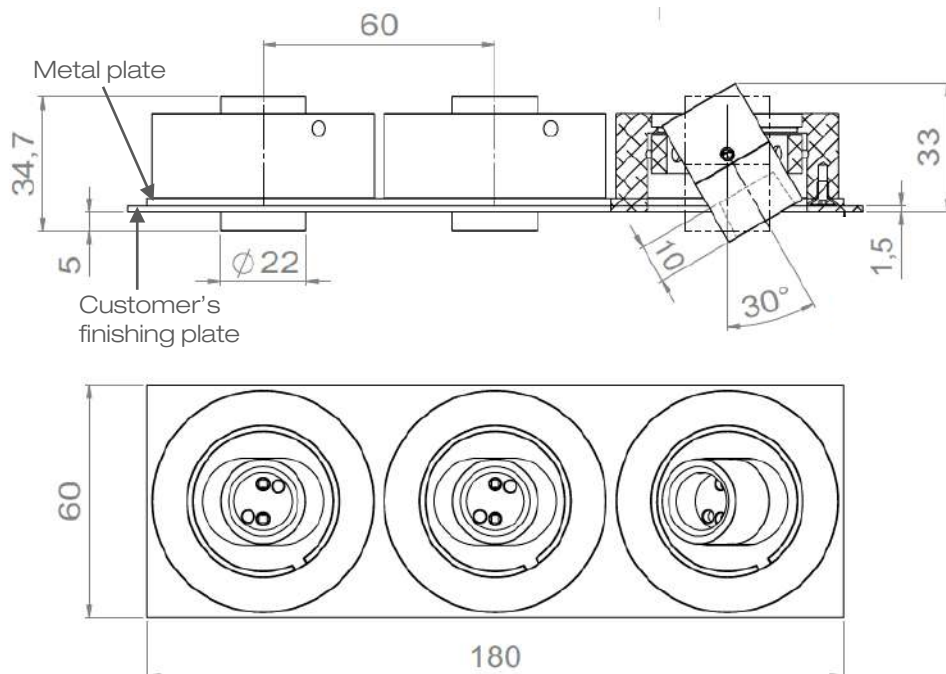
BEST SAS, Capital 200 000€
RCS Dijon B 408 483 485
TVA/VAT n° : FR94 408 483 485
APE 2612Z

Tel. : +33 380 48 65 68
contact@louss.fr
www.louss.fr
Best & LOuss

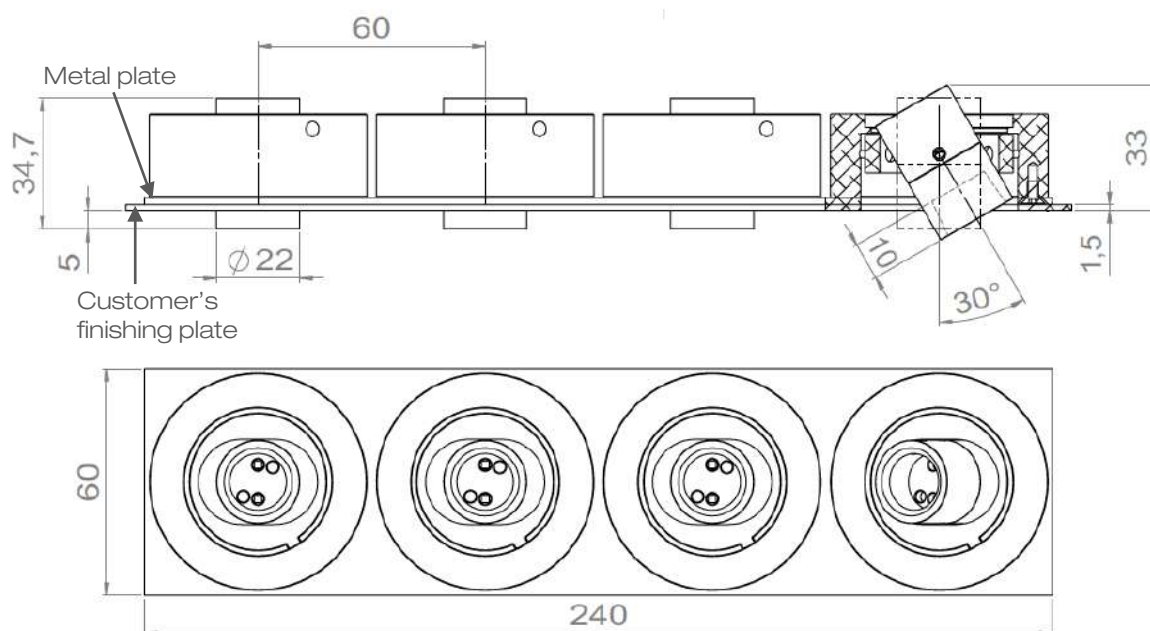
Siège social / Head Office
PA Les Terres d'Or
Route de Saint Philibert
21220 Gevrey Chambertin - FRANCE



AURORE D22 TRIO



AURORE D22 QUATTRO



All the connections have to be made before powering up,
otherwise the luminaires could be seriously damaged

LOUSS

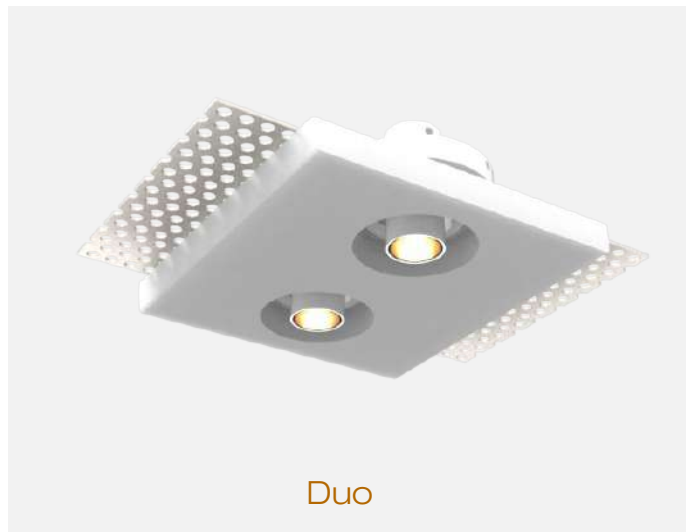
Creation : 2025.03.27 / Last update: 2025.06.04 - R

5/5

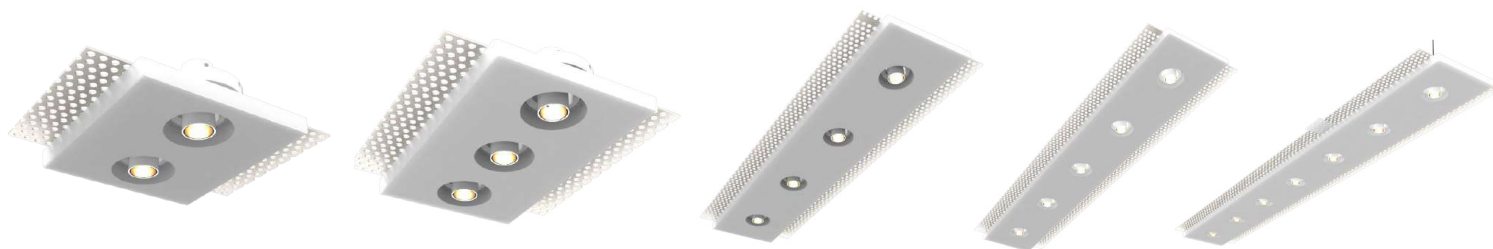
BEST SAS, Capital 200 000€
RCS Dijon B 408 483 485
TVA/VAT n° : FR94 408 483 485
APE 2612Z

Tel. : +33 380 48 65 68
contact@louss.fr
www.louss.fr
Best & LOUSS

Siège social / Head Office
PA Les Terres d'Or
Route de Saint Philibert
21220 Gevrey Chambertin - FRANCE



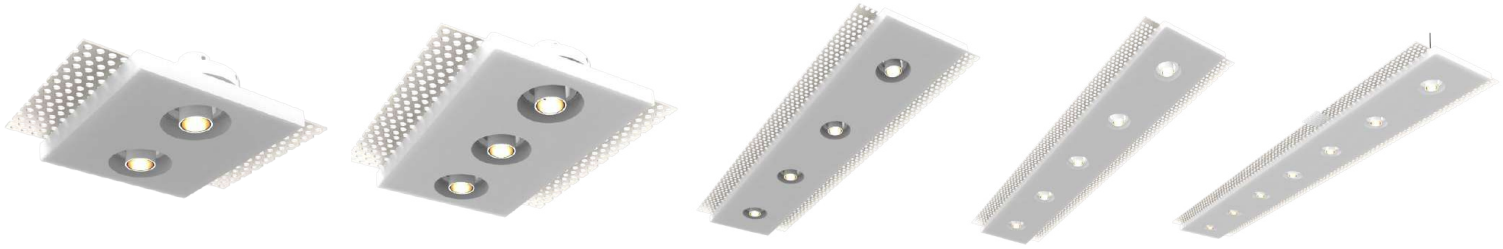
AURORE D22 STAFF



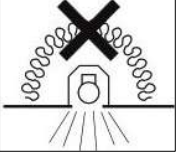
AURORE D22 STAFF • Duo • Trio • 4 Spots • 5 Spots • 7 Spots

Range	Recessed ceiling downlights for general & accent lighting				
Description	Cluster of 2, 3, 4, 5 or 7 low luminance adjustable spotlights, diameter 22mm, in a gypsum plate with fixing brackets for installation in BA13 or staff ceiling				
Finish	LED spotlights painted in White RAL 9003 matt finish (other upon request)				
Dimensions (with spotlights and brackets)	DUO	TRIO	4 SPOTLIGHTS	5 SPOTLIGHTS	7 SPOTLIGHTS
	140x190x50mm	210x190x50mm	600x190x50mm	750x190x50mm	1050x190x50mm
Weight	0.265 kg	0.395 kg	1.5 kg	1.9 kg	2.7 kg
LED characteristics	2000K – 2200K – 2700K – 3000K – 3500K – 4000K – 5000K (other upon request) or mix of 2 color temperatures MacAdam ellipse : 3 SDCM CRI 90 (standard version) – CRI >95 (retail or museums version) R9 > 80				
Optical beams	10° - 15° - 20° - 25° - 40° - 17x49° (elliptical if not adjusted) UGR > 15				
Connection	Supplied with cables and extension cable 2 connectors for serial connection, to be inserted into the ceiling before installing the luminaire				
Power supply	Remote constant current driver 350mA or 700mA max. according to version For USA and Canada use driver UL class 2				
Power	Monochrome version				
	DUO	TRIO	4 SPOTLIGHTS	5 SPOTLIGHTS	7 SPOTLIGHTS
	4W at 700mA max	6W at 700mA max	8W at 700mA max	10W at 700mA max	14W at 700mA max
	2 color temperatures version				
	DUO	TRIO	4 SPOTLIGHTS	5 SPOTLIGHTS	7 SPOTLIGHTS
4W at 350mA max	6W at 350mA max	8W at 350mA max	10W at 350mA max	14W at 350mA max	

All the connections have to be made before powering up,
otherwise the luminaires could be seriously damaged



AURORE D22 • DUO • TRIO • 4 SPOTS • 5 SPOTS • 7 SPOTS

<p>Use limitations</p> 	<p>The product must be installed into a ventilated area</p> <p>This product must not be covered with insulating material</p> <p>Any use with an ambient temperature higher than the specified ambient temperature (Ta) would lead to a more rapid mortality of the product and the withdrawal of our guarantees</p> <p>The drivers, if not delivered by LOuss, must be approved before use</p>
<p>Warranty</p>	<p>Life span: L80-B10 = 35,000 hours (80% remaining flux) at 30°C ambient temperature</p> <p>The warranty applies to components and fabrication supplied by Louss</p> <p>The warranty does not apply to products that have been opened, modified or repaired and does not cover the effects of a wrong connection, careless, abusive handling, overvoltage, lighting injury, as well as the normal wear of the product</p> <p>All products are electrically tested and receive a functional burn-in</p>

All the connections have to be made before powering up,
otherwise the luminaires could be seriously damaged

LOuss

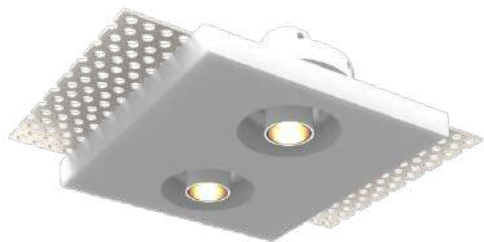
Creation : 2024.01.31 / Last update : 2026.05.06

3/8

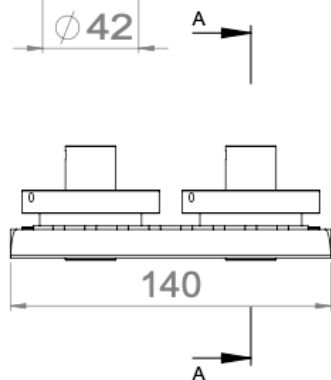
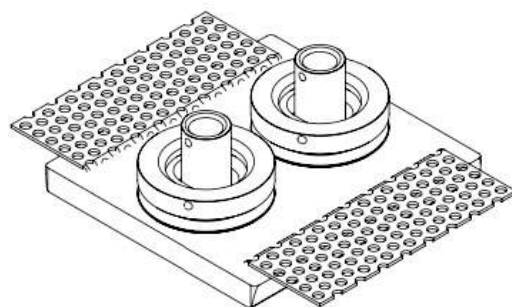
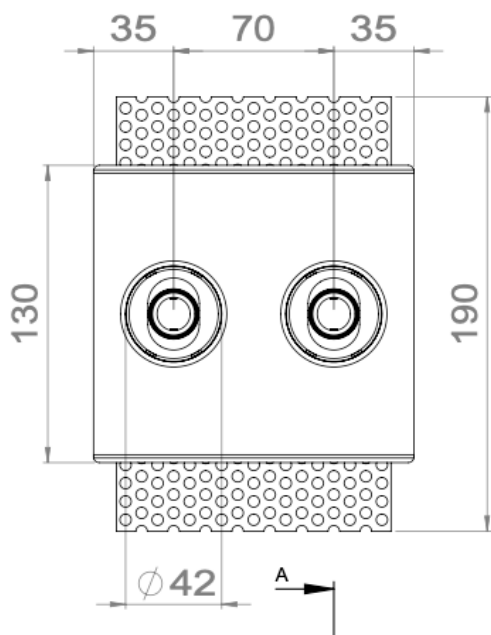
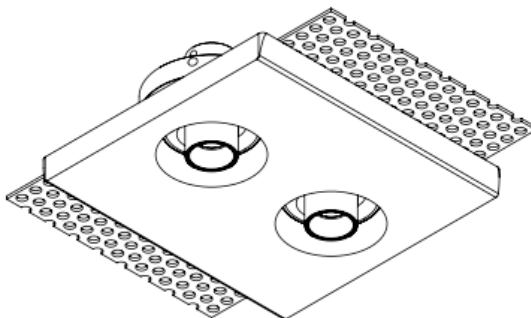
BEST SAS, Capital 200 000€
RCS Dijon B 408 483 485
TVA/VAT n° : FR94 408 483 485
APE 2612Z

Tel. : +33 380 48 65 68
contact@louss.fr
www.louss.fr
Best & LOuss

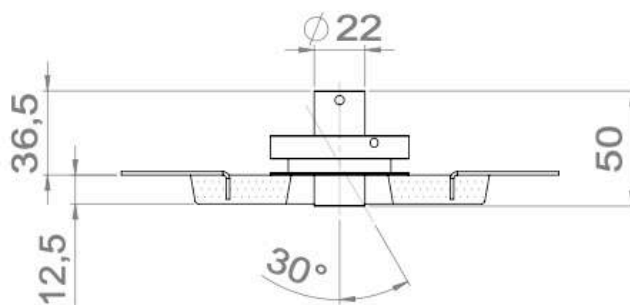
Siège social / Head Office
PA Les Terres d'Or
Route de Saint Philibert
21220 Gevrey Chambertin - FRANCE



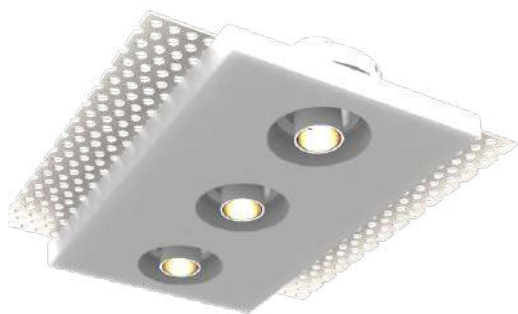
AURORE D22 STAFF - DUO



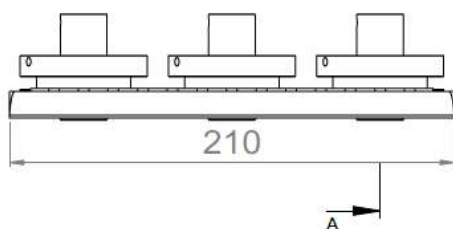
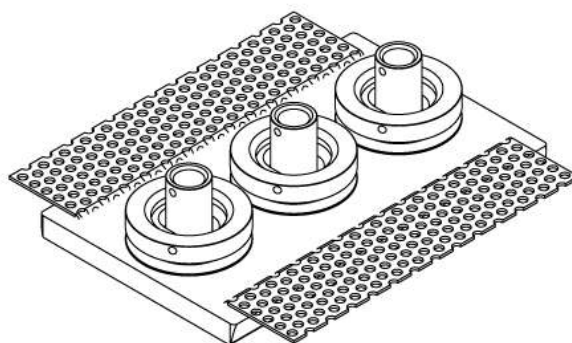
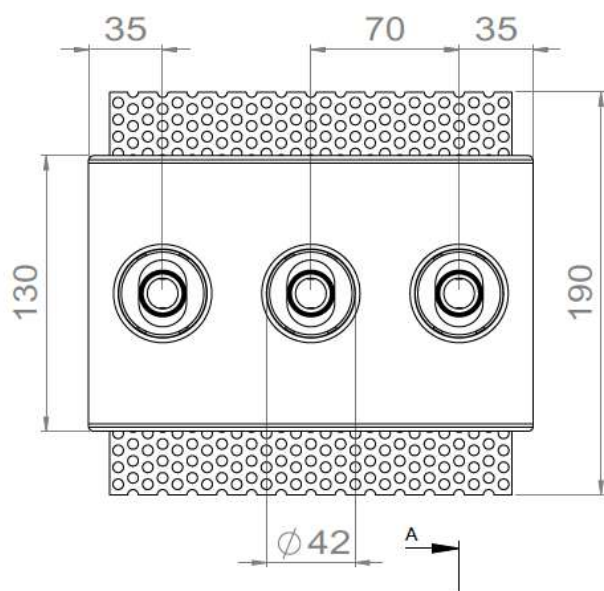
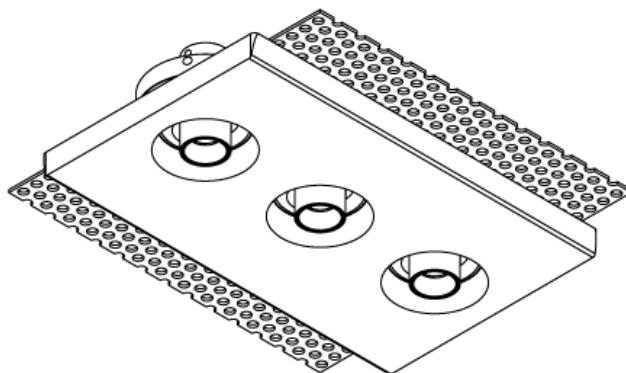
CROSS-SECTION A-A
SCALE 1 : 2



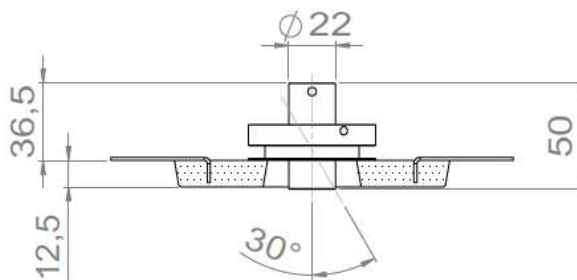
All the connections have to be made before powering up,
otherwise the luminaires could be seriously damaged



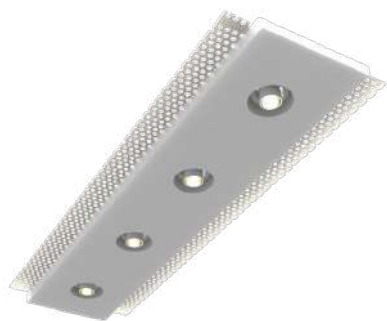
AURORE D22 STAFF - TRIO



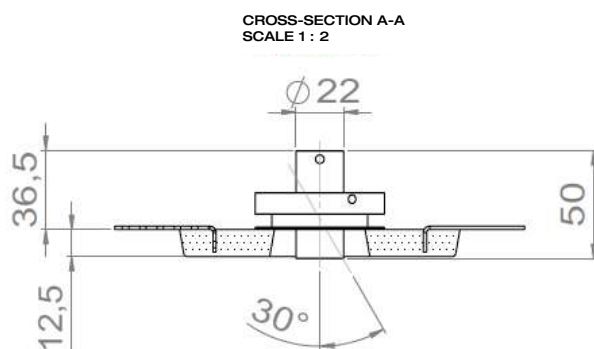
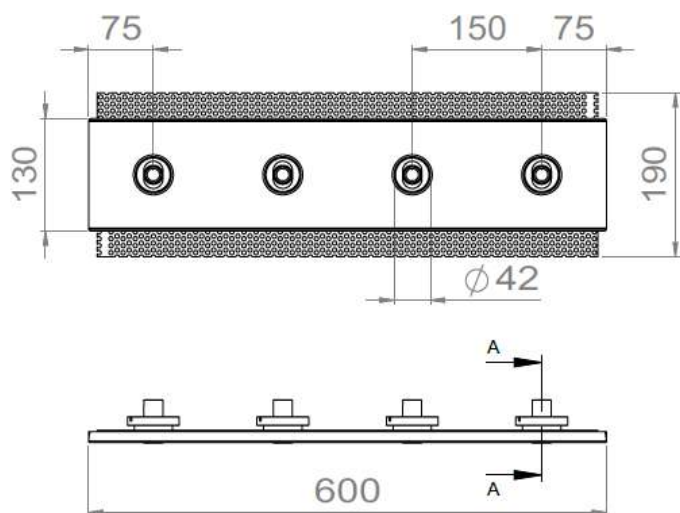
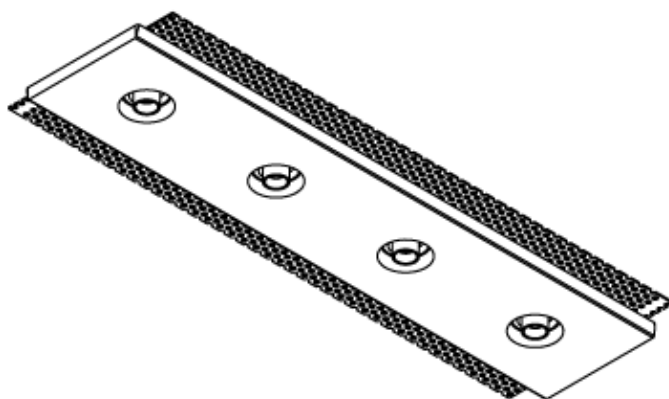
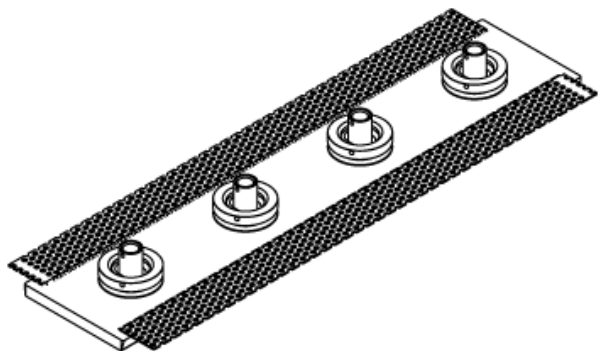
CROSS-SECTION A-A
SCALE 1 : 2



All the connections have to be made before powering up,
otherwise the luminaires could be seriously damaged



AURORE D22 STAFF - 4 SPOTLIGHTS



All the connections have to be made before powering up,
otherwise the luminaires could be seriously damaged

LOUSS

Creation : 2024.01.31 / Last update : 2026.05.06

6/8

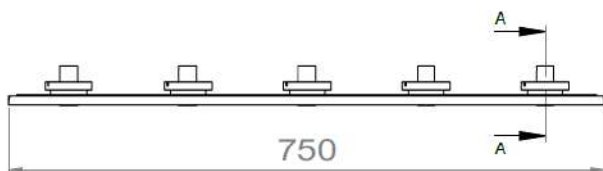
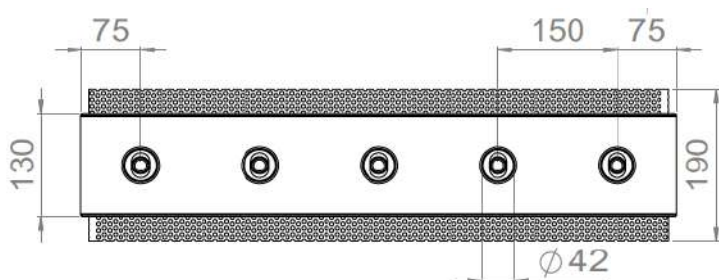
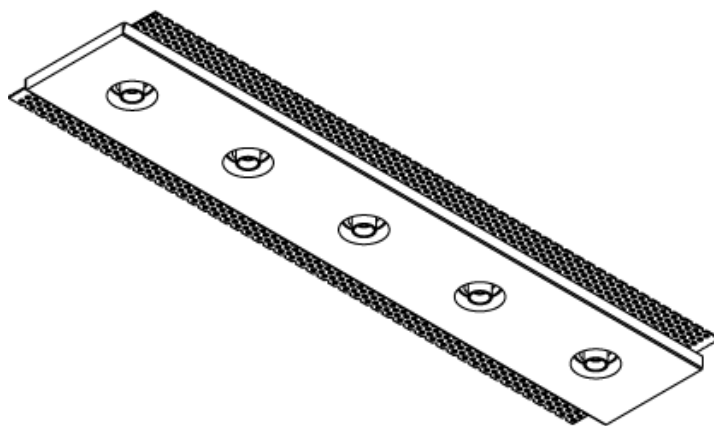
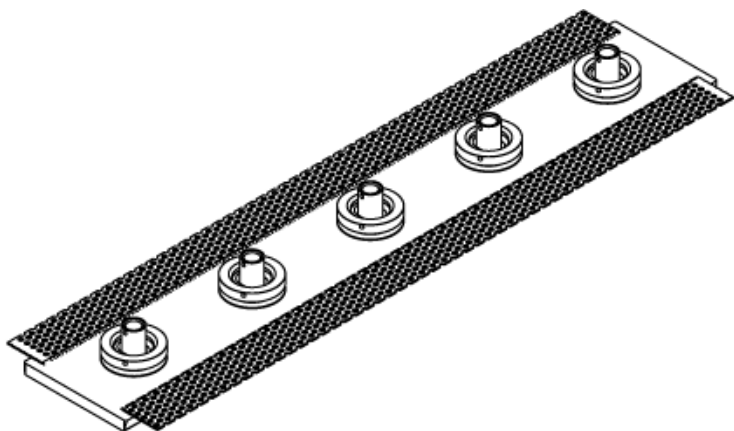
BEST SAS, Capital 200 000€
RCS Dijon B 408 483 485
TVA/VAT n° : FR94 408 483 485
APE 2612Z

Tel. : +33 380 48 65 68
contact@louss.fr
www.louss.fr
Best & LOUSS

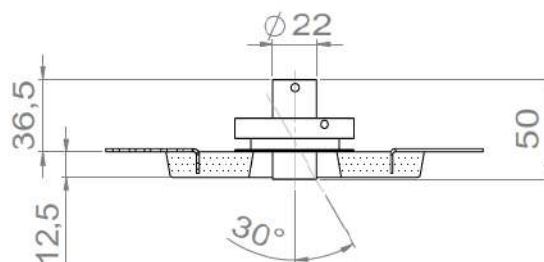
Siège social / Head Office
PA Les Terres d'Or
Route de Saint Philibert
21220 Gevrey Chambertin - FRANCE



AURORE D22 STAFF - 5 SPOTLIGHTS



CROSS-SECTION A-A
SCALE 1 : 2



All the connections have to be made before powering up,
otherwise the luminaires could be seriously damaged

LOUSS

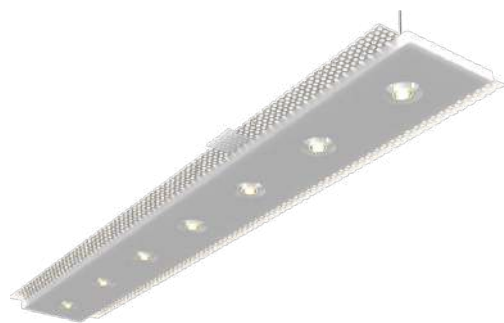
Creation : 2024.01.31 / Last update : 2026.05.06

7/8

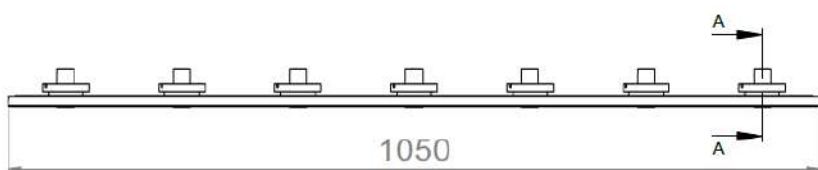
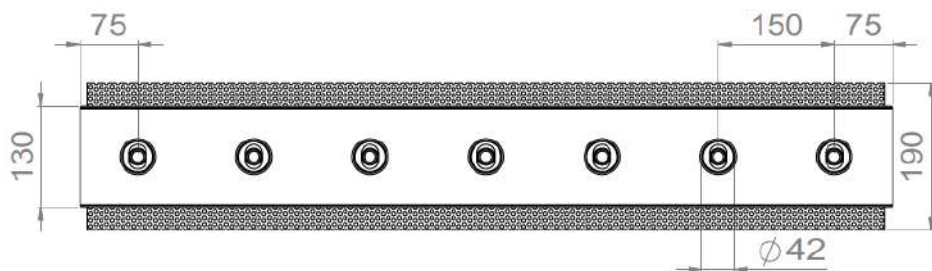
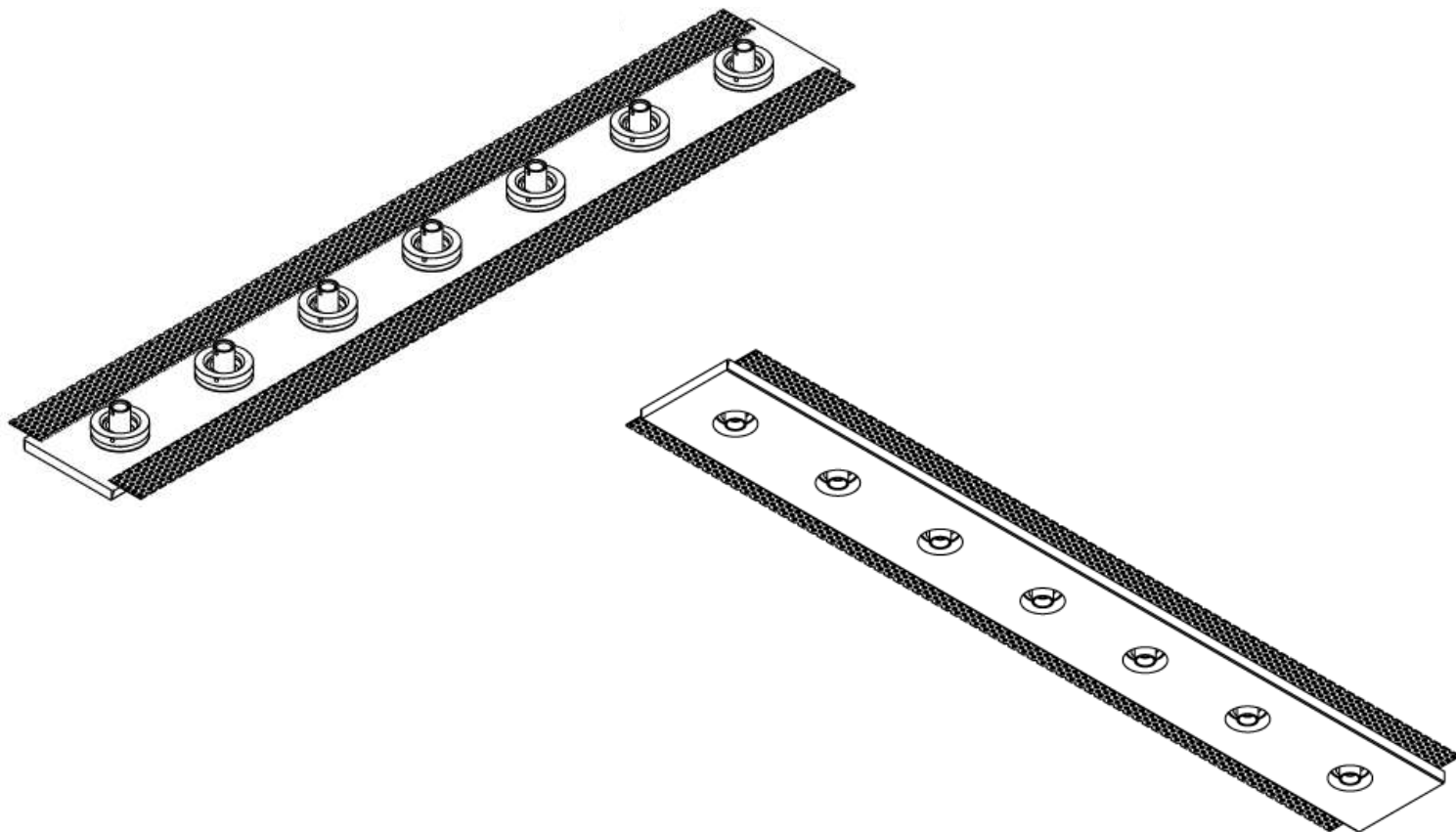
BEST SAS, Capital 200 000€
RCS Dijon B 408 483 485
TVA/VAT n° : FR94 408 483 485
APE 2612Z

Tel. : +33 380 48 65 68
contact@louss.fr
www.louss.fr
Best & LOUSS

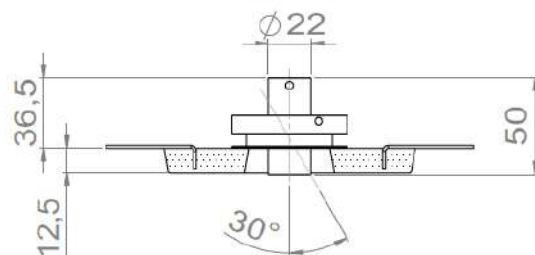
Siège social / Head Office
PA Les Terres d'Or
Route de Saint Philibert
21220 Gevrey Chambertin - FRANCE



AURORE D22 STAFF - 7 SPOTLIGHTS



CROSS-SECTION A-A
SCALE 1 : 2



All the connections have to be made before powering up,
otherwise the luminaires could be seriously damaged

lOuss

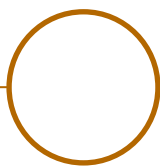
Creation : 2024.01.31 / Last update : 2026.05.06

8/8

BEST SAS, Capital 200 000€
RCS Dijon B 408 483 485
TVA/VAT n° : FR94 408 483 485
APE 2612Z

Tel. : +33 380 48 65 68
contact@louss.fr
www.louss.fr
Best & LOuss

Siège social / Head Office
PA Les Terres d'Or
Route de Saint Philibert
21220 Gevrey Chambertin - FRANCE



AURORE D40 RECESSED



Range	Highly adjustable recessed ceiling downlights for general & accent lighting		
Description	<p>Low luminance Rotation 360°</p> <p>Trim, Recessed On-plate, Trimless & Trimless Magnetic : Adjustable tilt 30° Trim Flush & Trimless Flush : Adjustable tilt 20°</p> <p>Optional : Easily changeable LED, optics and accessories on site, without any tool, with integrated Easy Swap system (see page 9)</p>		
Finish	<p>White RAL 9003 matt finish Black RAL 9005 matt finish (other upon request)</p>		
Dimensions	Trim	Trim Flush	Recessed On-plate
	<p>Spotlight diameter : 40mm External diameter : 83.5mm Installation diameter : 67.5mm Installation depth : 46mm</p>	<p>Spotlight diameter : 40mm External diameter : 93.5mm Installation diameter : 77.5mm Installation depth : 78mm</p>	<p>Spotlight diameter : 40mm External diameter : 60mm Installation diameter : 52mm Installation depth : 31mm</p>
Dimensions	Trimless	Trimless Flush	Trimless Magnetic
	<p>Spotlight diameter : 40mm External diameter : 40mm Installation diameter : 67.5mm Installation depth : 48mm</p>	<p>Spotlight diameter : 40mm External diameter : 40mm Installation diameter : 77.5mm Installation depth : 80mm</p>	<p>Spotlight diameter : 40mm External diameter : 40mm Installation diameter : 67.5mm Installation depth : 48mm</p>
Weight	± 0.15 kg according to version		
LED characteristics	<p>2700K - 3000K - 3500K - 4000K - 5000K (other upon request) MacAdam Ellipse : 3 SDCM CRI90 (standard version) - IRC95, R9 > 80</p>		
Optical beams	<p>6° - 10° - 15° - 20° - 25° - 30° - 35° - 40° - 55° - 60° - Elliptical UGR < 15</p>		
Accessories	Filters, honeycomb grids upon request		
Luminous flux	300 to 800 lumen according to version		
Connection	Supplied with 0.5m cable		
Power supply	Remote constant current driver 350mA to 700mA according to version Dimmable driver upon request		
Power	4W to 10 W according to version		

All the connections have to be made before powering up,
otherwise the luminaires could be seriously damaged

Creation : 2022.01.26 / Last update : 2026.05.05

LOUSS



**Recessed
On-plate**



Trim



**Trim
Flush**



Trimless

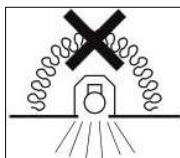


**Trimless
Flush**



**Trimless
Magnetic**

Use limitations



The product must be installed into a ventilated area

This product must not be covered with insulating material

Any use with an ambient temperature higher than the specified ambient temperature (T_a) would lead to a more rapid mortality of the product and the withdrawal of our guarantees

The drivers, if not delivered by LOuss, must be approved before use

Warranty

Life span: L80-B10 = 35,000 hours (80% remaining flux) at 30°C ambient temperature

The warranty applies to components and fabrication supplied by LOuss

The warranty does not apply to products that have been opened, modified or repaired and does not cover the effects of a wrong connection, careless, abusive handling, overvoltage, lighting injury, as well as the normal wear of the product

All products are electrically tested and receive a functional burn-in

All the connections have to be made before powering up,
otherwise the luminaires could be seriously damaged

Creation : 2022.01.26 / Last update : 2026.05.05

LOuss

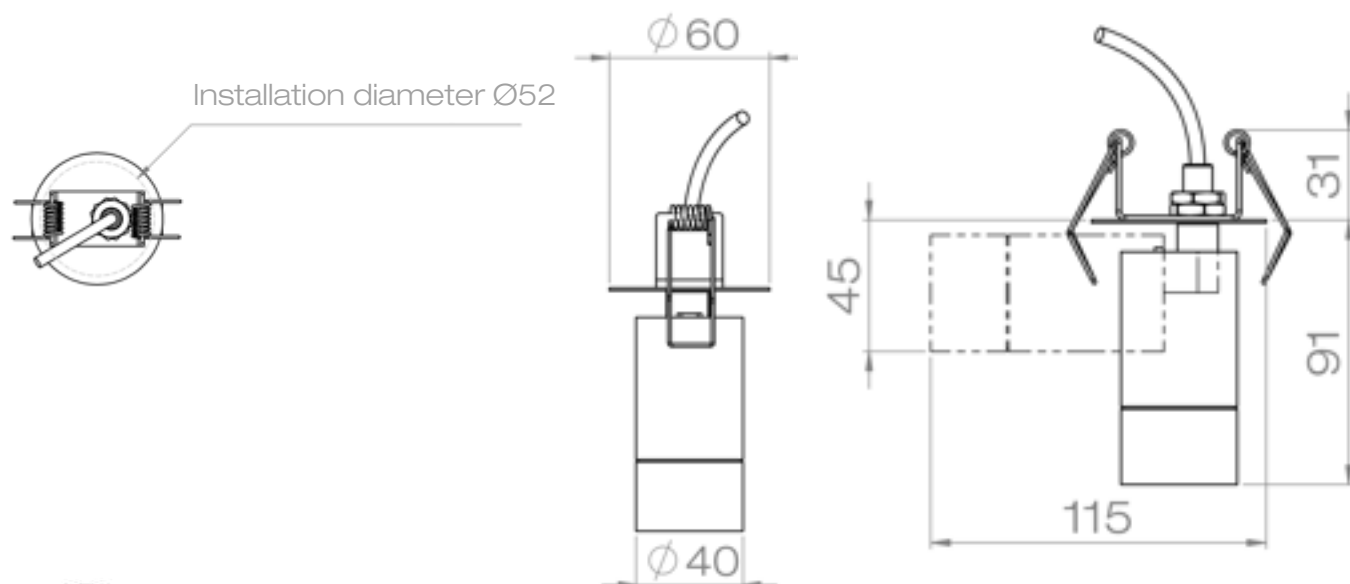
BEST SAS, Capital 200 000€
RCS Dijon B 408 483 485
TVA/VAT n° : FR94 408 483 485
APE 2612Z

Tel. : +33 380 48 65 68
contact@louss.fr
www.louss.fr
Best & LOuss

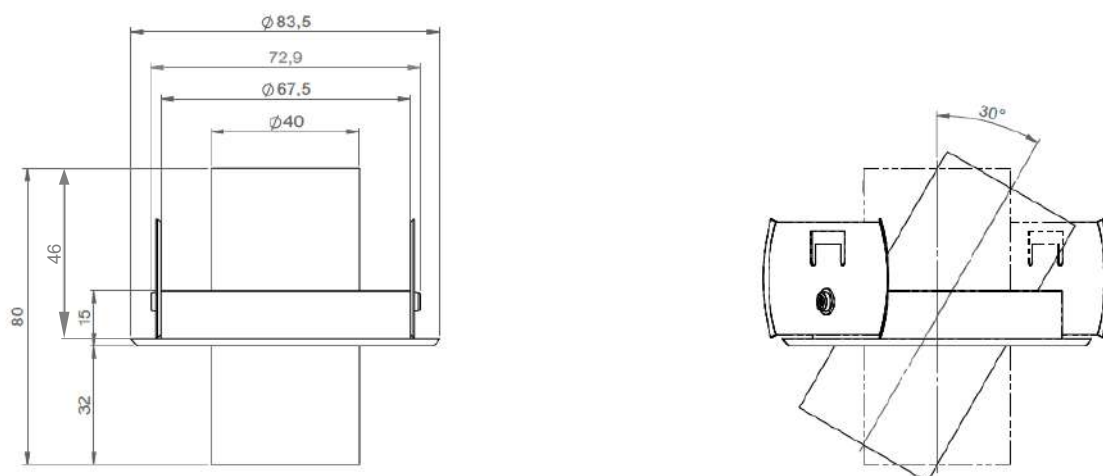
Siège social / Head Office
PA Les Terres d'Or
Route de Saint Philibert
21220 Gevrey Chambertin - FRANCE



AURORE D40 RECESSED ON-PLATE



AURORE D40 TRIM



All the connections have to be made before powering up,
otherwise the luminaires could be seriously damaged

Creation : 2022.01.26 / Last update : 2026.05.05

LOUSS

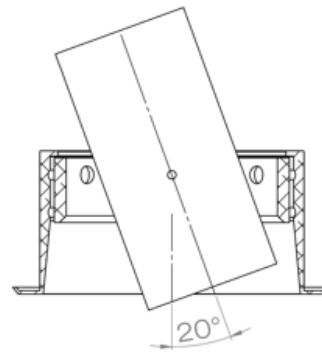
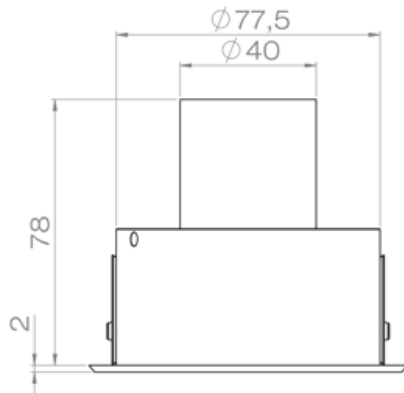
BEST SAS, Capital 200 000€
RCS Dijon B 408 483 485
TVA/VAT n° : FR94 408 483 485
APE 2612Z

Tel. : +33 380 48 65 68
contact@louss.fr
www.louss.fr
Best & LOUSS

Siège social / Head Office
PA Les Terres d'Or
Route de Saint Philibert
21220 Gevrey Chambertin - FRANCE

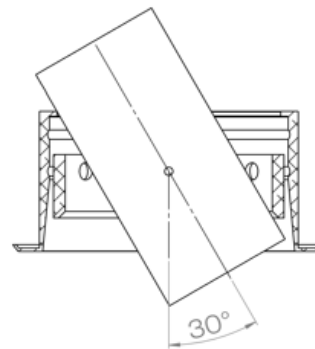
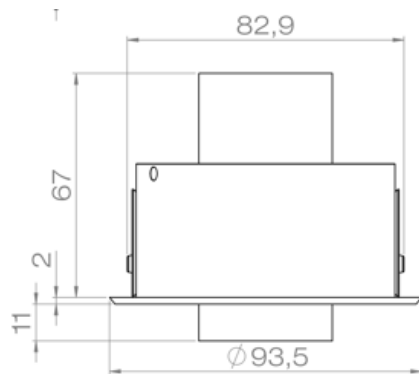


AURORE D40 TRIM FLUSH



Upper position

Insert the luminaire into the **upper position** of the recessed frame to obtain a **flush** luminaire



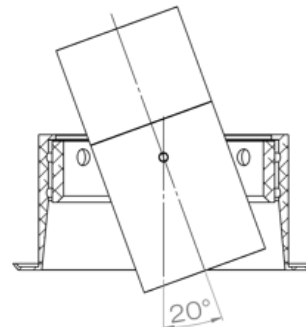
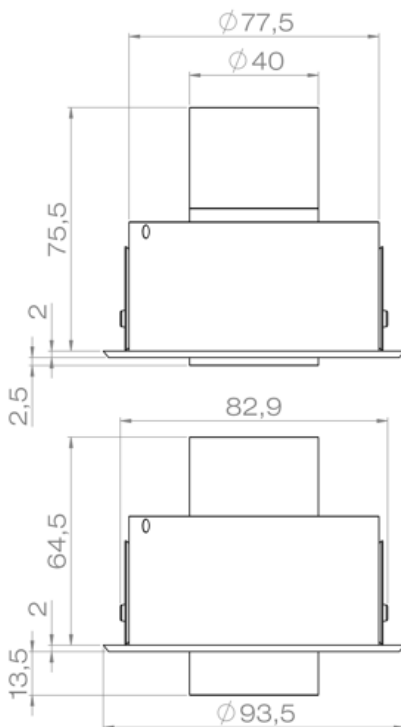
Low position

To obtain **30° orientation** angle, insert the luminaire in the **lowest position**

WARNING :
in this position, the spotlight cannot flush with the ceiling

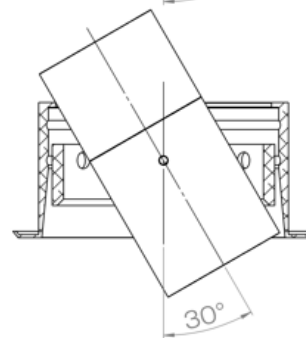
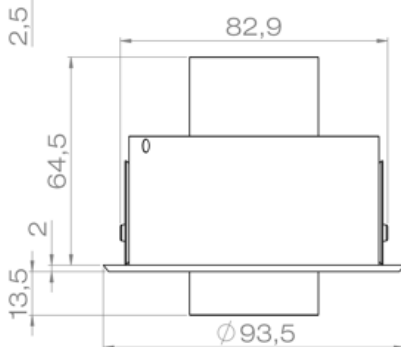


AURORE D40 TRIM FLUSH EASY SWAP



Upper position

Insert the luminaire into the **upper position** of the recessed frame to obtain a **flush** luminaire



Low position

To obtain **30° orientation** angle, insert the luminaire in the **lowest position**

WARNING :
in this position, the spotlight cannot flush with the ceiling

All the connections have to be made before powering up, otherwise the luminaires could be seriously damaged

Creation : 2022.01.26 / Last update : 2026.05.05

LOUSS

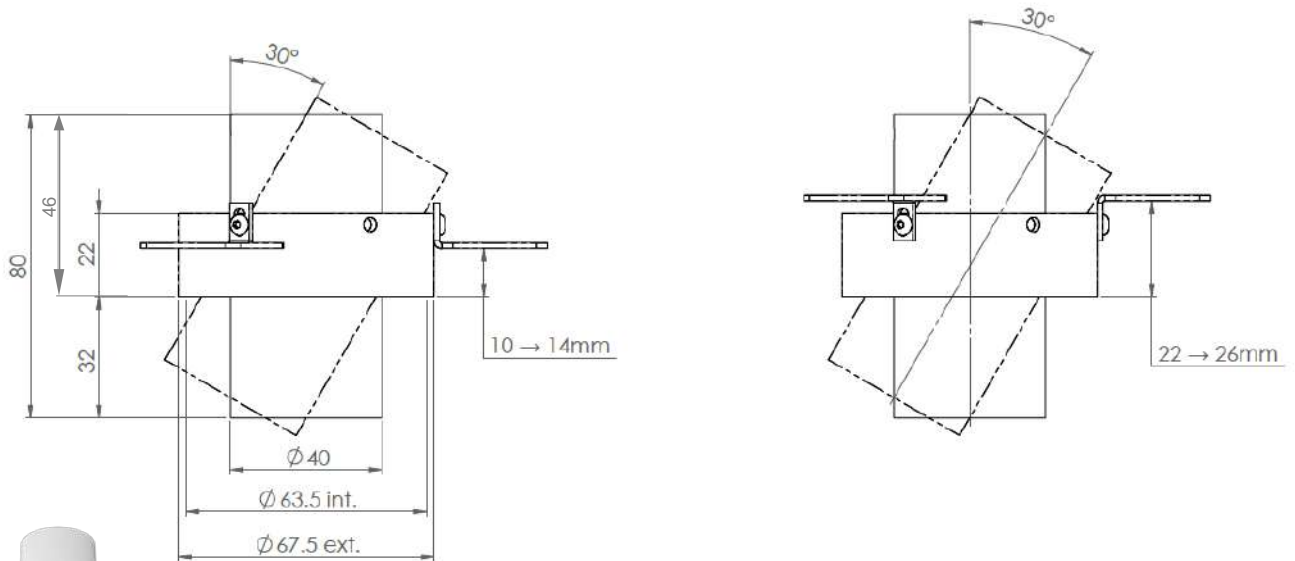
BEST SAS, Capital 200 000€
RCS Dijon B 408 483 485
TVA/VAT n° : FR94 408 483 485
APE 2612Z

Tel. : +33 380 48 65 68
contact@louss.fr
www.louss.fr
Best & LOUSS

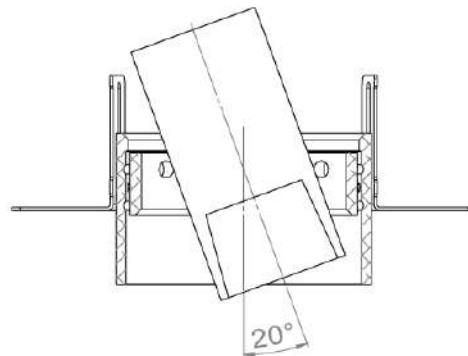
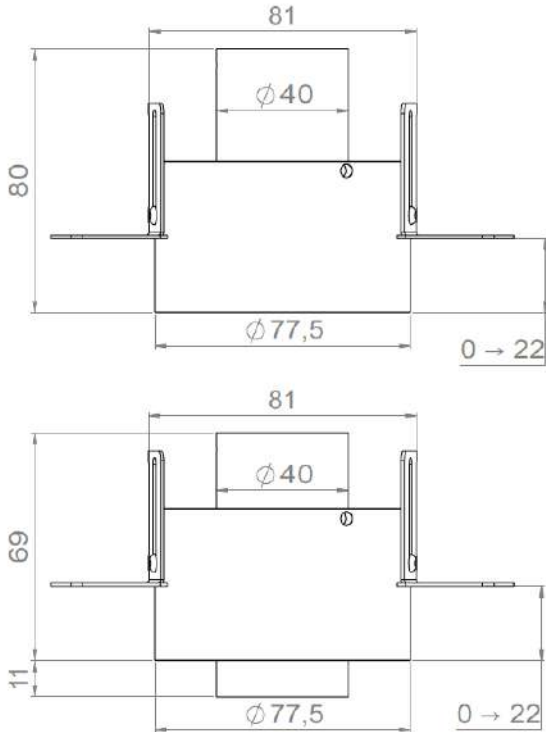
Siège social / Head Office
PA Les Terres d'Or
Route de Saint Philibert
21220 Gevrey Chambertin - FRANCE



AURORE D40 TRIMLESS & TRIMLESS EASY SWAP

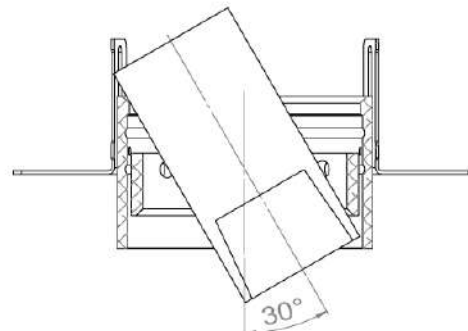


AURORE D40 TRIMLESS FLUSH



Upper position

Insert the luminaire into the upper position of the recessed frame to obtain a flush luminaire



Low position

To obtain 30° orientation angle, insert the luminaire in the lowest position

WARNING :
in this position, the spotlight cannot flush with the ceiling

All the connections have to be made before powering up, otherwise the luminaires could be seriously damaged

Creation : 2022.01.26 / Last update : 2026.05.05

LOUSS

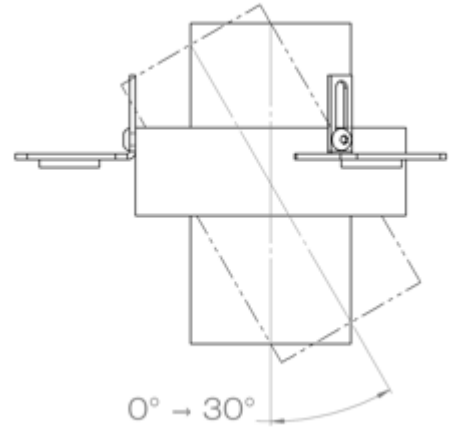
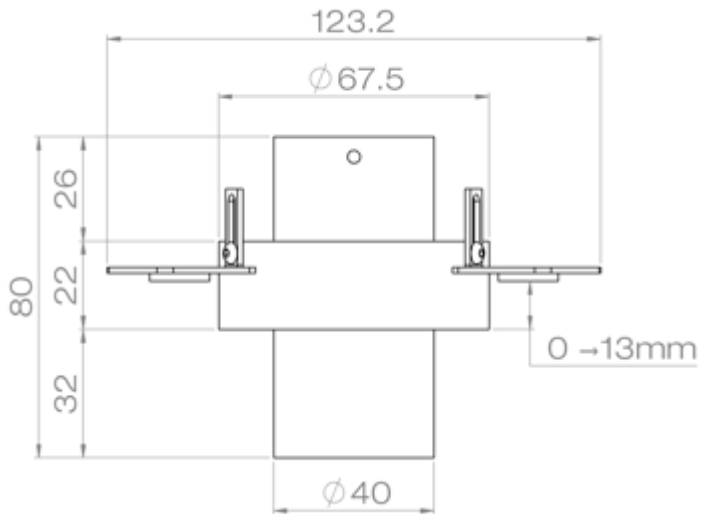
BEST SAS, Capital 200 000€
RCS Dijon B 408 483 485
TVA/VAT n° : FR94 408 483 485
APE 2612Z

Tel. : +33 380 48 65 68
contact@louss.fr
www.louss.fr
Best & LOUSS

Siège social / Head Office
PA Les Terres d'Or
Route de Saint Philibert
21220 Gevrey Chambertin - FRANCE



AURORE D40 TRIMLESS MAGNETIC



All the connections have to be made before powering up,
 otherwise the luminaires could be seriously damaged

Creation : 2022.01.26 / Last update : 2026.05.05

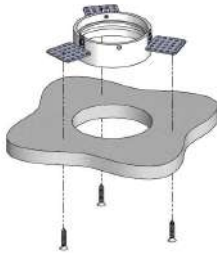
LOUSS

7/9

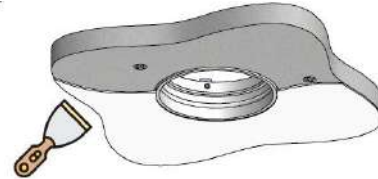


AURORE D40 • Trimless • Trimless Flush • Trimless Magnetic

Installation from above



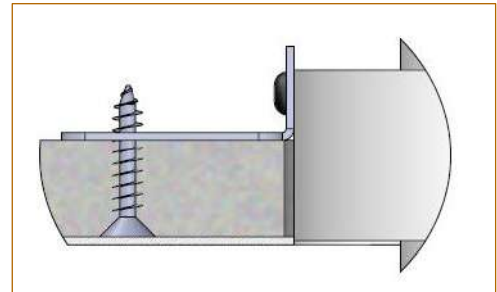
Install the recessed frame from above and screw it into the surface



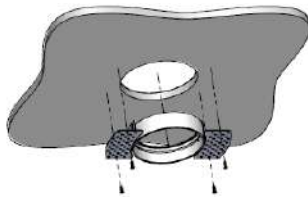
Cover the lateral plates of the recessed frame by coating and painting



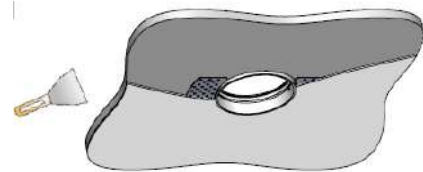
Insert the spotlight from below



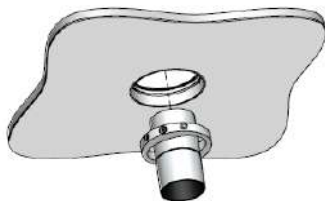
Installation from below



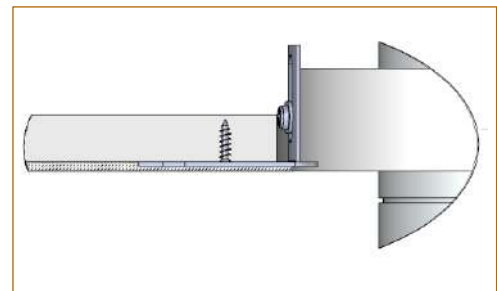
Install the recessed frame from below and screw it into the surface



Cover the lateral plates of the recessed frame by coating and painting



Insert the spotlight from below



All the connections have to be made before powering up, otherwise the luminaires could be seriously damaged

Creation : 2022.01.26 / Last update : 2026.05.05

LOUSS

BEST SAS, Capital 200 000€
RCS Dijon B 408 483 485
TVA/VAT n° : FR94 408 483 485
APE 2612Z

Tel. : +33 380 48 65 68
contact@louss.fr
www.louss.fr
Best & LOUSS

Siège social / Head Office
PA Les Terres d'Or
Route de Saint Philibert
21220 Gevrey Chambertin - FRANCE



Recessed
On-plate



Trim



Trim
Flush



Trimless



Trimless
Flush



Trimless
Magnetic

Easy Swap system



Recessed frame
(according to version)

LED / COB

Luminaire's body

Optics

Accessories (filters, honeycomb grid)

Insert

All the connections have to be made before powering up,
otherwise the luminaires could be seriously damaged

Creation : 2022.01.26 / Last update : 2026.05.05

LOUSS

BEST SAS, Capital 200 000€
RCS Dijon B 408 483 485
TVA/VAT n° : FR94 408 483 485
APE 2612Z

Tel. : +33 380 48 65 68
contact@louss.fr
www.louss.fr
Best & LOUSS

Siège social / Head Office
PA Les Terres d'Or
Route de Saint Philibert
21220 Gevrey Chambertin - FRANCE



AURORE D40 WALL-MOUNTED





AURORE D40 WALL-MOUNTED • Round • Round Magnetic

Range	Highly adjustable luminaires for general & accent lighting
Description	Luminaire equipped with low luminance spotlight Rotation 360° - Adjustable tilt 90° max Round Magnetic version : Magnetic mounting with safety sling ring Magnetic fixing disk to be fixed on a non-magnetic surface (optional) Optional : Easily changeable LED, optics and accessories on-site without any tool, with integrated Easy Swap system (see page 6)
Finish	White RAL 9003 matt finish Black RAL 9005 matt finish (other upon request)
Dimensions	Spotlight diameter : 40mm Spotlight length : 80mm Wall-mounted box diameter : 52mm
Net weight	± 0.210kg according to version
LED characteristics	2700K - 3000K - 3500K - 4000K - 5000K (other upon request) MacAdam ellipse : 3 SDCM CRI90 (standard version) - CRI95, R9 > 80
Optical beams	6° - 10° - 15° - 20° - 25° - 30° - 35° - 40° - 55° - 60° - Elliptical UGR < 15
Accessories	Filtres, honeycomb grid upon request
Luminous flux	300 to 800 lumen according to version
Connection	Supplied with 0.5m cable Or connectors in the box
Power supply	Remote constant current driver 700mA max. according to version Dimmable driver upon request For US & Canada, use a UL class 2 driver
Power	4W to 10W according to version
Installation & Connection	Luminaires supplied with 0.5m cable. Quick connector upon request Optional : connectors in the box The drivers can be remote to a distance up to 5m max. For greater distances (10-15m max.), please contact us. Depending on the installation, anti-surge protection may be provided with the luminaires Take into consideration the cumulative length of all the cables when connecting several luminaires in series on the same driver

All the connections have to be made before powering up,
otherwise the luminaires could be seriously damaged



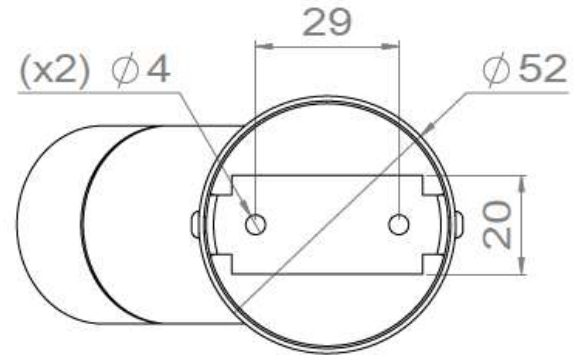
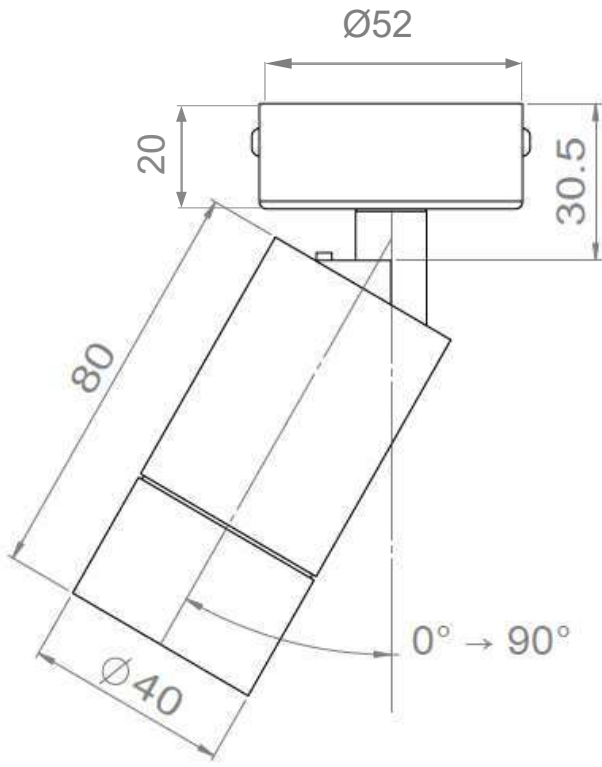
AURORE D40 WALL-MOUNTED • Round • Round Magnetic

Use limitations	<p>The product must be installed into a ventilated area</p> <p>Any use with an ambient temperature higher than the specified ambient temperature (Ta) would lead to a more rapid mortality of the product and the withdrawal of our guarantees</p> <p>The drivers, if not delivered by LOuss, must be approved before use</p>
Warranty	<p>Life span: L80B10 at 50,000 hours (80% remaining flux) at 25°C ambient temperature</p> <p>3-year parts and labour warranty</p> <p>The warranty does not apply to products that have been opened, modified or repaired and does not cover the effects of a wrong connection, careless, abusive handling, overvoltage, lighting injury, as well as the normal wear of the product</p> <p>All products are electrically tested and received a functional burn-in</p>

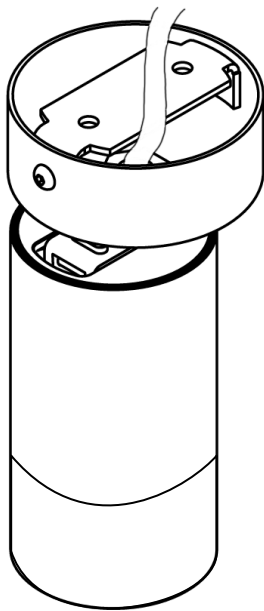
All the connections have to be made before powering up,
otherwise the luminaires could be seriously damaged



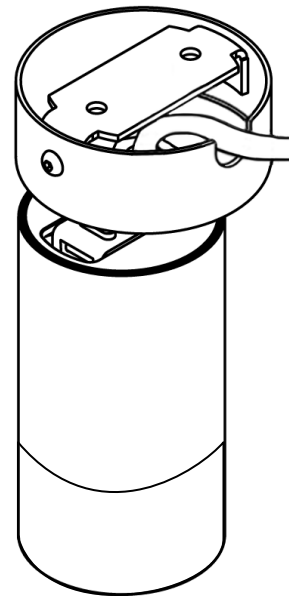
AURORE D40 ROUND WALL-MOUNTED



Cable output from behind



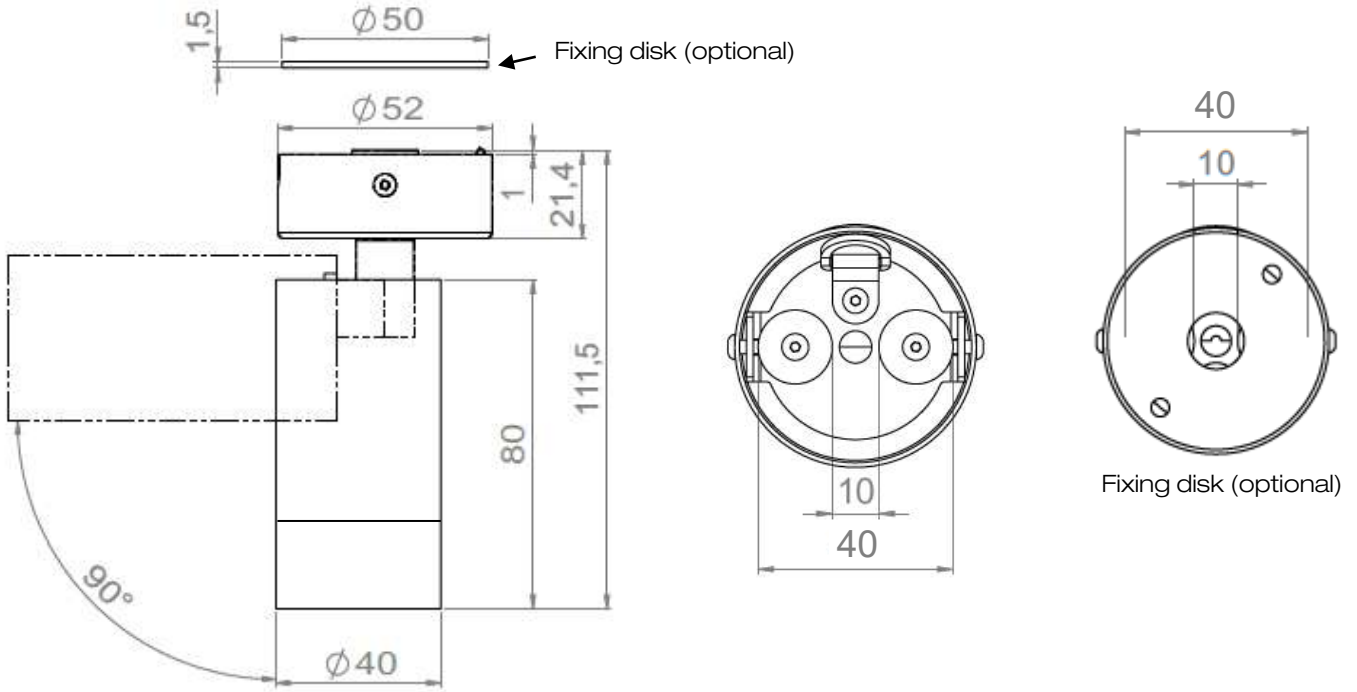
Cable output on the side



All the connections have to be made before powering up,
otherwise the luminaires could be seriously damaged

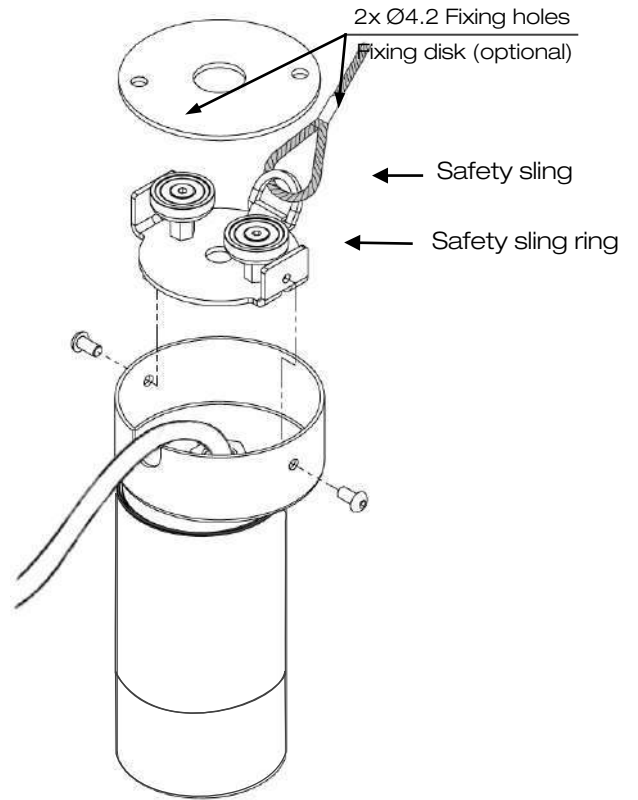
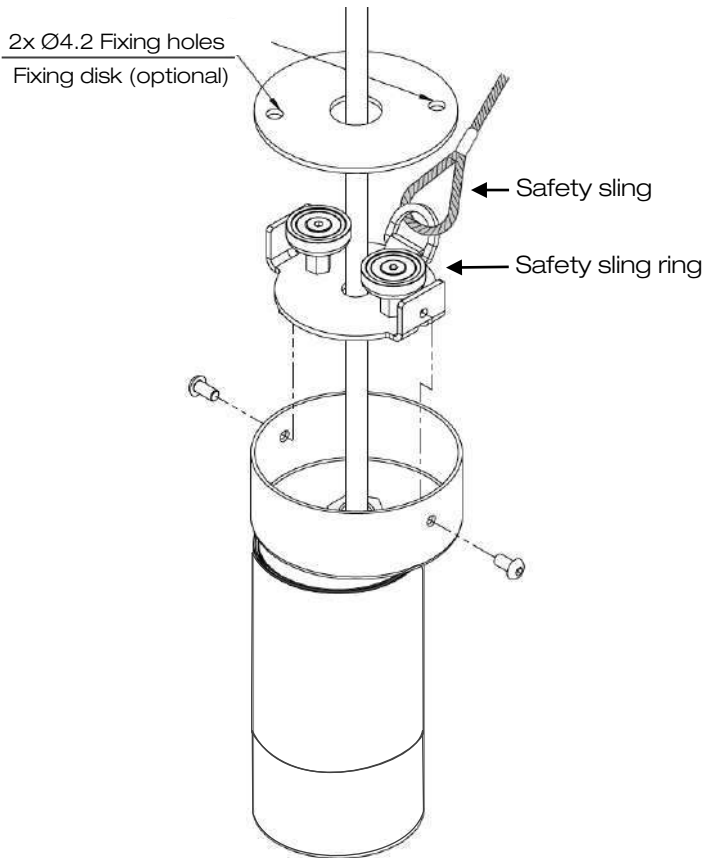


AURORE D40 ROUND WALL-MOUNTED MAGNETIC



Cable output from behind

Cable output on the side



All the connections have to be made before powering up, otherwise the luminaires could be seriously damaged



AURORE D40 WALL-MOUNTED • Round • Round Magnetic

Easy Swap system



All the connections have to be made before powering up,
otherwise the luminaires could be seriously damaged

LOUSS

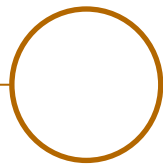
Last update: 2025.16.10

2/6

BEST SAS, Capital 200 000€
RCS Dijon B 408 483 485
TVA/VAT n° : FR94 408 483 485
APE 2612Z

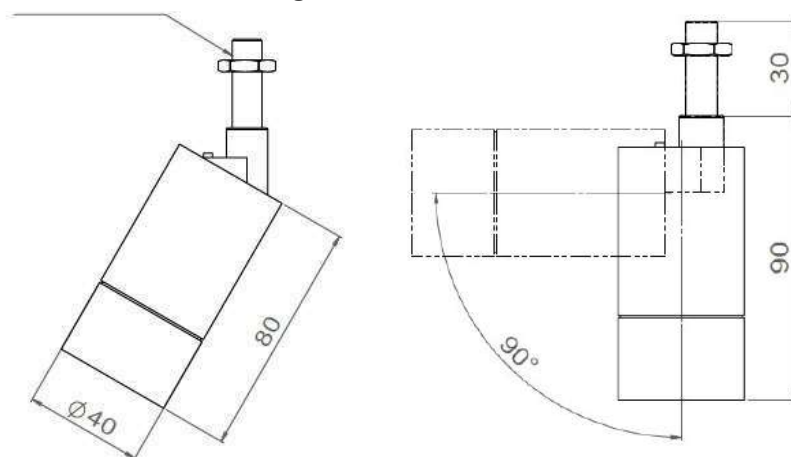
Tel. : +33 380 48 65 68
contact@louss.fr
www.louss.fr
Best & LOUSS

Siège social / Head Office
PA Les Terres d'Or
Route de Saint Philibert
21220 Gevrey Chambertin - FRANCE



AURORE D40 PIVOT

Threaded rod M10x1 + fixing nut



AURORE D40 PIVOT

Range	Highly adjustable luminaire for general & accent lighting
Description	Luminaire equipped with low luminance spotlight Rotation 360° - Adjustable tilt 90° max Optional : Easily changeable LED, optics and accessories on site, without any tool, with integrated Easy Swap system (see page 3)
Finish	White RAL 9003 matt finish Black RAL 9005 matt finish (other upon request)
Dimensions	Spotlight diameter : 40mm Spotlight length : 80mm
Net Weight	0.150 kg
LED characteristics	2700K – 3000K – 3500K – 4000K – 5000K MacAdam ellipse: 3 SDCM CRI 90 (standard) – CRI 95, R9 > 80
Optical beams	6° - 10° - 15° - 20° - 25° - 30° - 35° - 40° - 55° - 60° - Elliptical UGR < 15
Accessories	Filters, honeycomb grid
Luminous flux	300 to 800 lumen according to version
Installation	Fixation with threaded rod M10x1 + fixing nut
Connection	Supplied with 0.5m cable
Power supply	Remote constant current driver 700mA max. according to version Dimmable driver upon request For US & Canada, use a UL class 2 driver
Power	3W to 10W according to version
Use limitations	The product must be installed into a ventilated area Any use with an ambient temperature higher than the specified ambient temperature (Ta) would lead to a more rapid mortality of the product and the withdrawal of our guarantees The drivers, if not delivered by LOuss, must be approved before use
Warranty	Life span: L80B10 at 50,000 hours (80% remaining flux) at 25°C ambient temperature. 3-year parts and labour warranty. The warranty does not apply to products that have been opened, modified or repaired and does not cover the effects of a wrong connection, careless, abusive handling, overvoltage, lighting injury, as well as the normal wear of the product All products are electrically tested and received a functional burn-in

All the connections have to be made before powering up,
otherwise the luminaires could be seriously damaged

Last update : 2025.06.19

LOuss



AURORE D40 PIVOT

Easy swap system



All the connections have to be made before powering up,
otherwise the luminaires could be seriously damaged

Last update : 2025.06.19

LOUSS

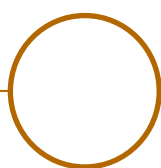
BEST SAS, Capital 200 000€
RCS Dijon B 408 483 485
TVA/VAT n° : FR94 408 483 485
APE 2612Z

Tel. : +33 380 48 65 68
contact@louss.fr
www.louss.fr
Best & LOUSS

Siège social / Head Office
PA Les Terres d'Or
Route de Saint Philibert
21220 Gevrey Chambertin - FRANCE



AURORE D40 TRACK





AURORE D40 ON TRACK • 24/48V-S • 24/48V Dali • 230V • 230V Dali

	24/48V-S • DALI 24/48V	230V • DALI 230V
Power supply	Spot adaptator for 24/48V Stucchi Evo System track	<p>230V : Track adapter suitable for Global Trac PRO XTS or similar (ERCO, Trajectoire...)</p> <p>230V DALI : • Track adapter suitable for Global Trac Pulse, STUCCHI, SLV... • Optional : CASAMBI-DALI gateway (see page 6)</p>
Power	4W to 10W according to version	
Electric class	<p>24/48V tracks : class 3</p> <p>230V tracks : class 2</p>	
Use limitations	<p>The product must be installed in a ventilated area</p> <p>Any use with an ambient temperature higher than the specified ambient temperature (Ta) would lead to a more rapid mortality of the product and the withdrawal of our guarantees</p> <p>The drivers, if not delivered by LOuss, must be approved before use</p>	
Warranty	<p>Life span : L80B10 at 50,000 hours (80% remaining flux) at 25°C ambient temperature</p> <p>3-year parts and labour warranty</p> <p>The warranty does not apply to products that have been opened, modified or repaired and does not cover the effects of a wrong connection, careless, abusive handling, overvoltage, lightning injury, as well as the normal wear of the product</p> <p>All products are electrically tested and received a functional burn-in.</p>	

All the connections have to be made before powering up, otherwise the luminaires could be seriously damaged

Last update : 2025.10.30

3/7

LOuss

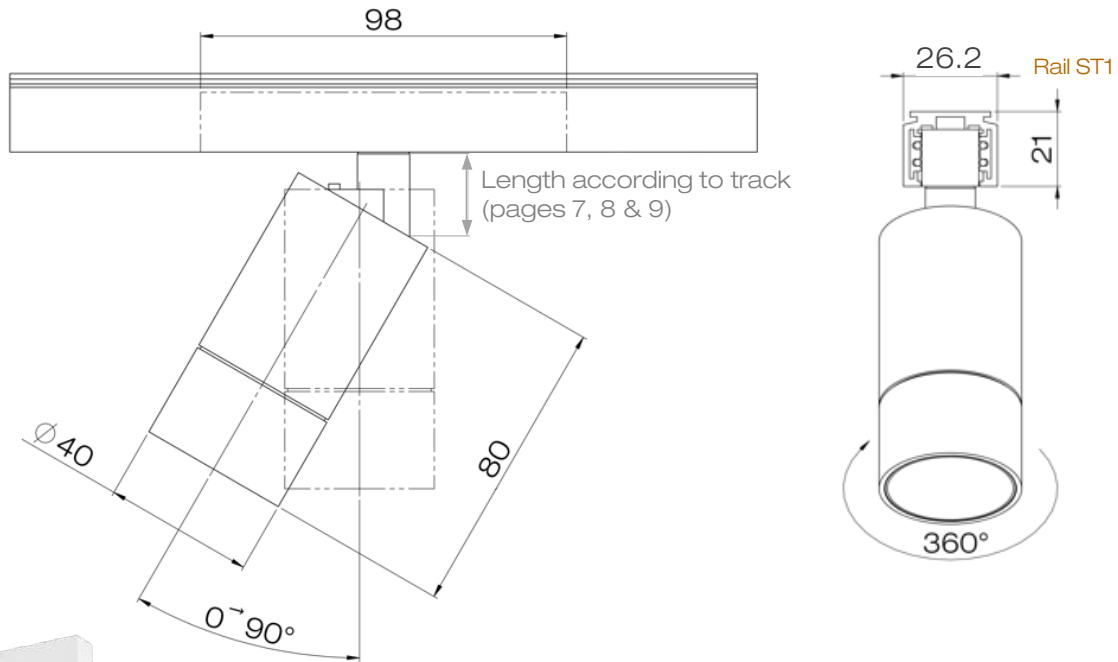
BEST SAS, Capital 200 000€
RCS Dijon B 408 483 485
TVA/VAT n° : FR94 408 483 485
APE 2612Z

Tel. : +33 380 48 65 68
contact@louss.fr
www.louss.fr
Best & LOuss

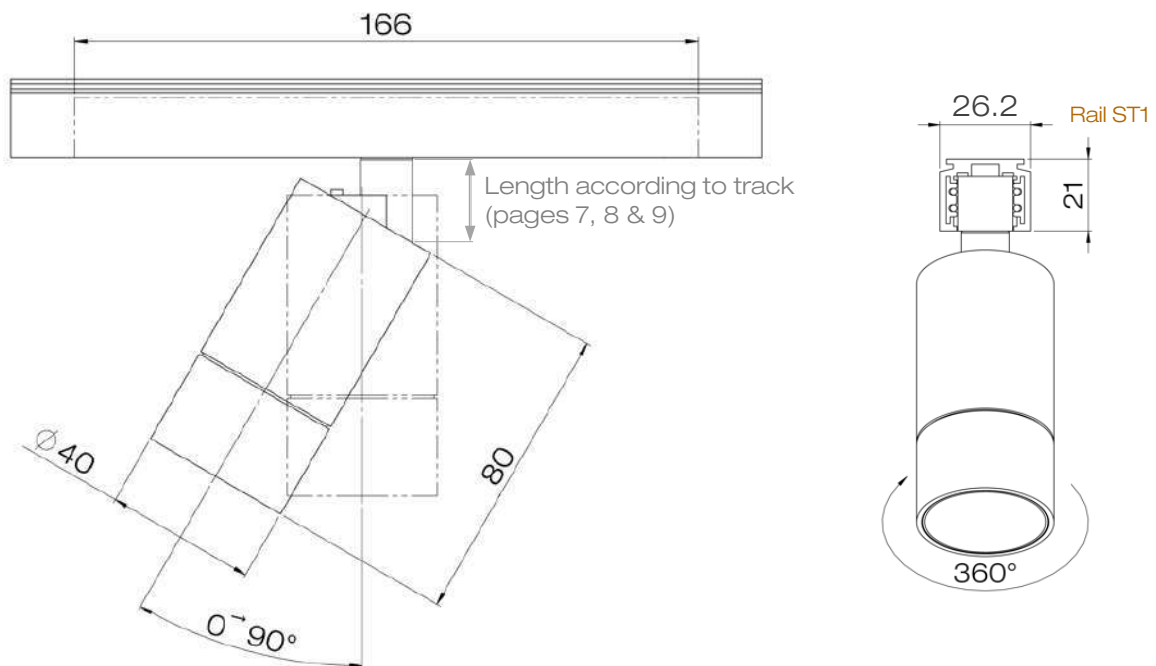
Siège social / Head Office
PA Les Terres d'Or
Route de Saint Philibert
21220 Gevrey Chambertin - FRANCE



AURORE D40 24/48V-S TRACK



AURORE D40 24/48V DALI TRACK



All the connections have to be made before powering up,
otherwise the luminaires could be seriously damaged

LOUSS

Last update : 2025.10.30

4/7

BEST SAS, Capital 200 000€
RCS Dijon B 408 483 485
TVA/VAT n° : FR94 408 483 485
APE 2612Z

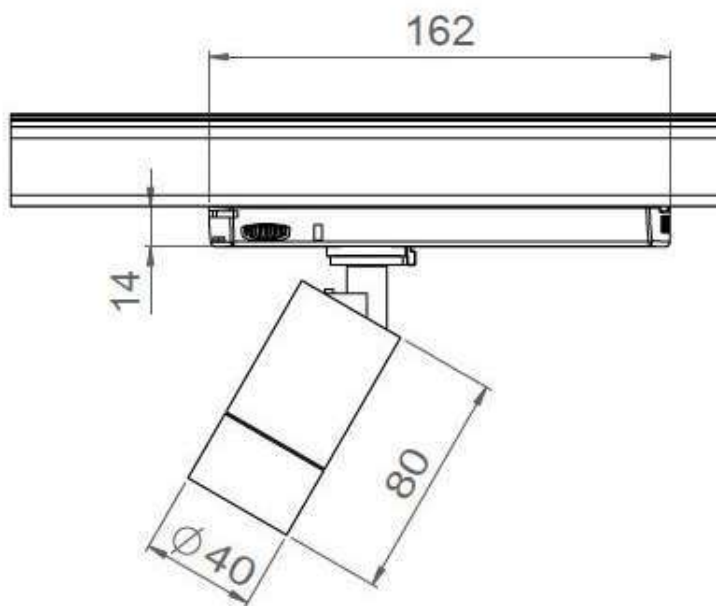
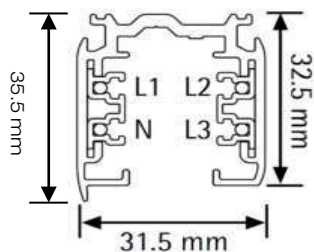
Tel. : +33 380 48 65 68
contact@louss.fr
www.louss.fr
Best & LOUSS

Siège social / Head Office
PA Les Terres d'Or
Route de Saint Philibert
21220 Gevrey Chambertin - FRANCE



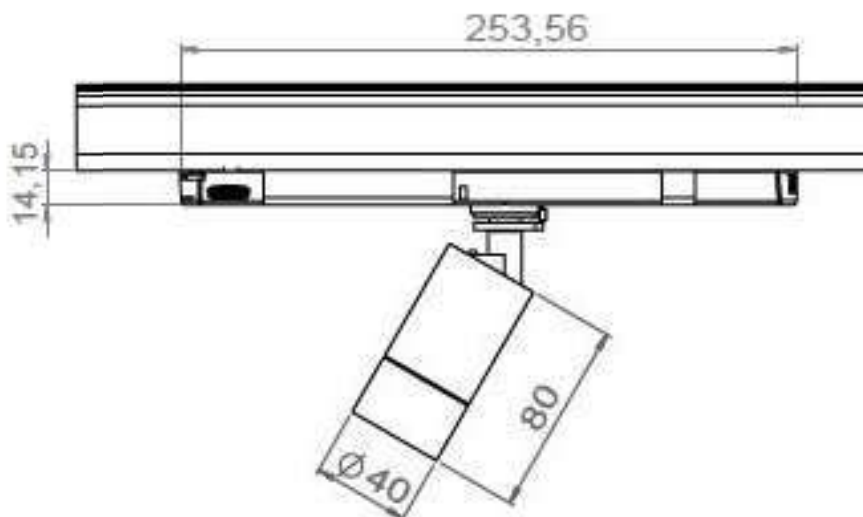
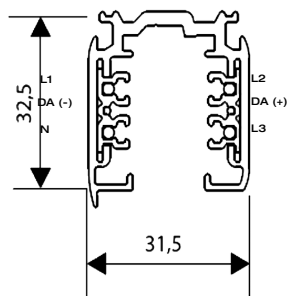
AURORE D40 230V TRACK

Track Global Trac PRO
Warning: Dimensions may vary by a few mms from one manufacturer to another



AURORE D40 230V DALI TRACK

Track DALI Global Trac pulse
Warning: Dimensions may vary by a few mms from one manufacturer to another



All the connections have to be made before powering up,
otherwise the luminaires could be seriously damaged

Last update : 2025.10.30

LOUSS

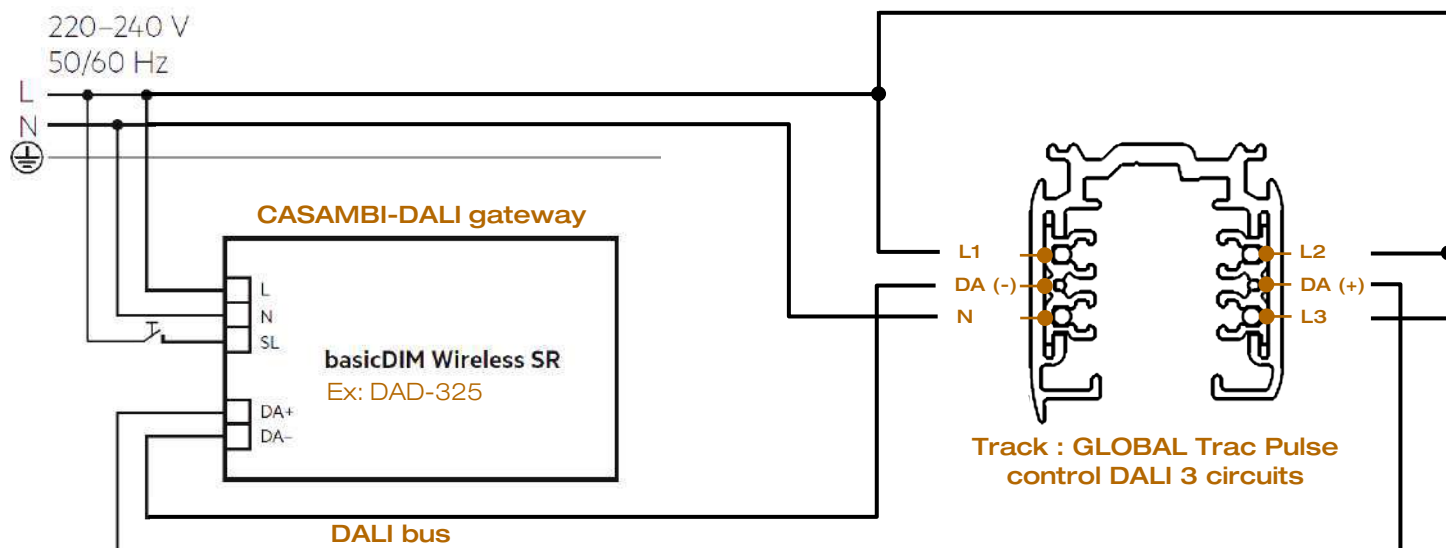
BEST SAS, Capital 200 000€
RCS Dijon B 408 483 485
TVA/VAT n° : FR94 408 483 485
APE 2612Z

Tel. : +33 380 48 65 68
contact@louss.fr
www.louss.fr
Best & LOUSS

Siège social / Head Office
PA Les Terres d'Or
Route de Saint Philibert
21220 Gevrey Chambertin - FRANCE



AURORE D40 230V TRACK CASAMBI-DALI Wiring system



CAUTION : 25 drivers maximum per track

All the connections have to be made before powering up,
otherwise the luminaires could be seriously damaged

Last update : 2025.10.30

LOUSS

BEST SAS, Capital 200 000€
RCS Dijon B 408 483 485
TVA/VAT n° : FR94 408 483 485
APE 2612Z

Tel. : +33 380 48 65 68
contact@louss.fr
www.louss.fr
Best & LOUSS

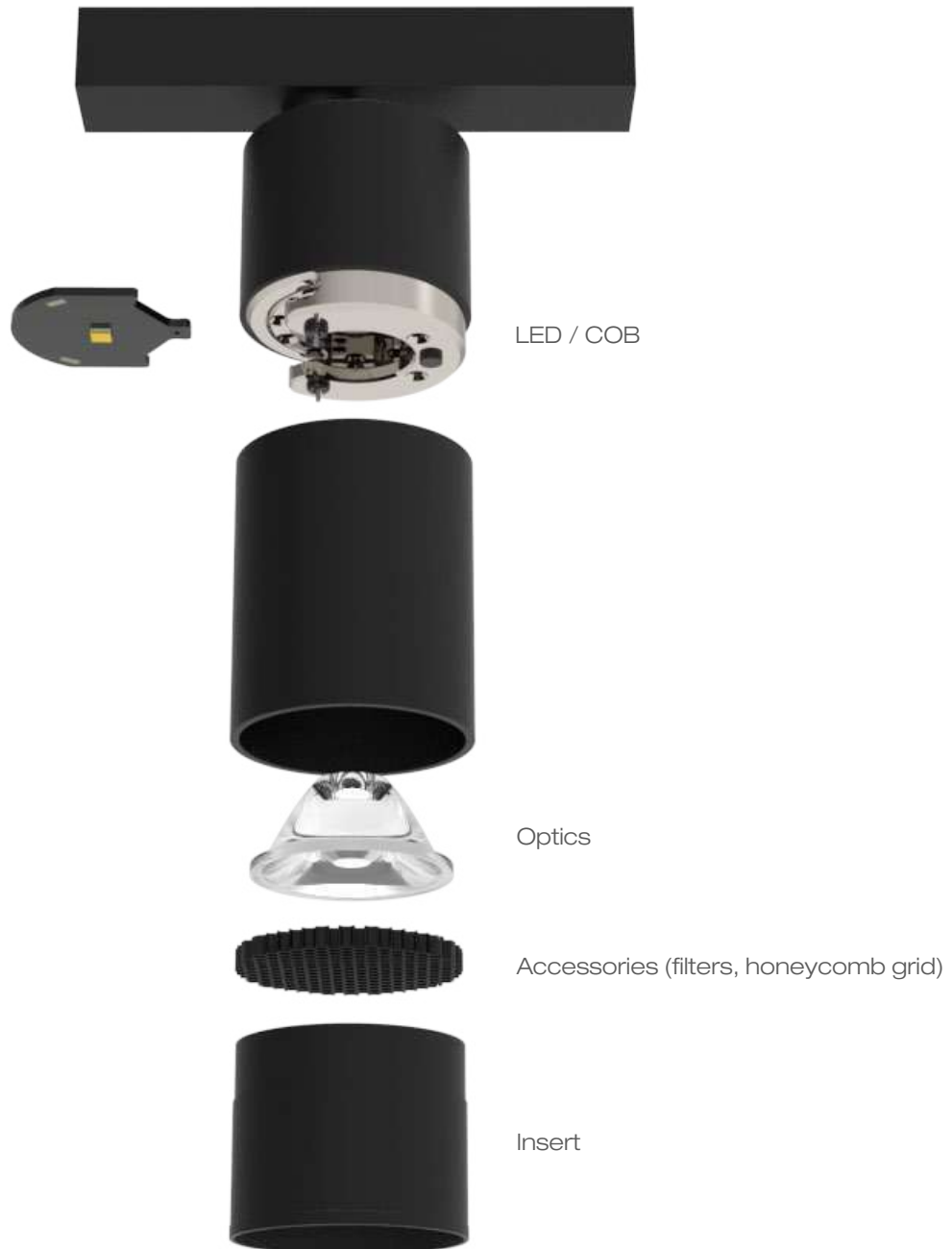
Siège social / Head Office
PA Les Terres d'Or
Route de Saint Philibert
21220 Gevrey Chambertin - FRANCE

6/7



AURORE D40 ON TRACK • 24/48V-S • 24/48V Dali • 230V • 230V Dali

Easy swap system



All the connections have to be made before powering up,
otherwise the luminaires could be seriously damaged

Last update : 2025.10.30

LOUSS

BEST SAS, Capital 200 000€
RCS Dijon B 408 483 485
TVA/VAT n° : FR94 408 483 485
APE 2612Z

Tel. : +33 380 48 65 68
contact@louss.fr
www.louss.fr
Best & LOUSS

Siège social / Head Office
PA Les Terres d'Or
Route de Saint Philibert
21220 Gevrey Chambertin - FRANCE

7/7




AURORE D42 RECESSED



AURORE D42 • Trim • Trim Flush • Trimless • Trimless Flush

Range	Highly adjustable recessed ceiling downlights for general & accent lighting	
Description	<p>Low luminance Rotation 360° Trim & Trimless : Adjustable tilt 30° Trim Flush & Trimless Flush : Adjustable tilt 20° Easily changeable LED, optics and accessories on-site without any tool, with integrated Permuto Easy Swap system (see page 7)</p>	
Finish	<p>White RAL 9003 matt finish Black RAL 9005 matt finish (other upon request)</p>	
Dimensions	Trim	Trim Flush
	Spotlight diameter : 42mm External diameter : 83.5mm Installation diameter : 67.5mm Installation depth : 46mm	Spotlight diameter : 42mm External diameter : 93.5mm Installation diameter : 77.5mm Installation depth : 78mm
	Trimless	Trimless Flush
	Spotlight diameter : 42mm External diameter : 67.5mm Installation diameter : 67.5mm Installation depth : 48mm	Spotlight diameter : 42mm External diameter : 77.5mm Installation diameter : 77.5mm Installation depth : 80mm
Weight	± 0.15 kg according to version	
LED characteristics	<p>2700K - 3000K - 3500K - 4000K - 5000K (other upon request) MacAdam ellipse : 3 SDCM IRC90 (standard version) - IRC95, R9 > 80</p>	
Optics	<p>6° - 10° - 15° - 20° - 25° - 30° - 35° - 40° - 55° - 60° - Elliptical UGR < 15</p>	
Accessories	Filter, honeycomb grids upon request	
Luminous flux	300 to 800 lumen according to version	
Connection	Supplied with 0.5m cable	
Power supply	<p>Remote constant current driver 700mA max. according to version Dimmable driver upon request</p>	
Power	4W to 10W according to version	

All the connections have to be made before powering up,
 otherwise the luminaires could be seriously damaged

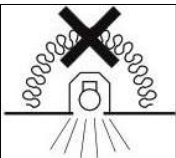
Louss

Last update : 2026.05.05

2/7



AURORE D42 • Trim • Trim Flush • Trimless • Trimless Flush

<p>Use limitations</p> 	<p>The product must be installed into a ventilated area</p> <p>This product must not be covered with insulating material</p> <p>Any use with an ambient temperature higher than the specified ambient temperature (Ta) would lead to a more rapid mortality of the product and the withdrawal of our guarantees</p> <p>The drivers, if not delivered by LOuss, must be approved before use</p>
<p>Warranty</p>	<p>Life span: L80-B10 = 35,000 hours (80% remaining flux) at 30°C ambient temperature</p> <p>The warranty applies to components and fabrication supplied by Louss</p> <p>The warranty does not apply to products that have been opened, modified or repaired and does not cover the effects of a wrong connection, careless, abusive handling, overvoltage, lighting injury, as well as the normal wear of the product</p> <p>All products are electrically tested and receive a functional burn-in</p>

All the connections have to be made before powering up,
otherwise the luminaires could be seriously damaged

Last update : 2026.05.05

3/7

LOuss

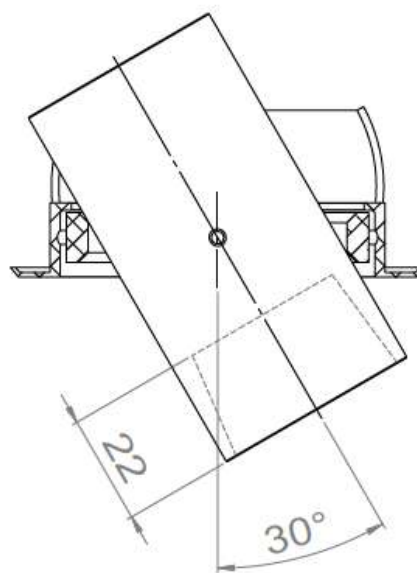
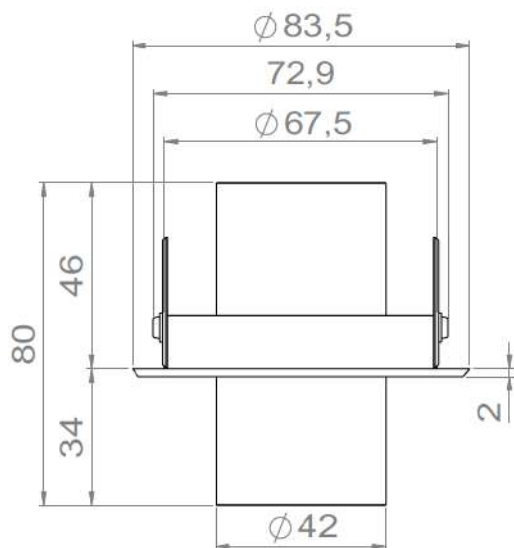
BEST SAS, Capital 200 000€
RCS Dijon B 408 483 485
TVA/VAT n° : FR94 408 483 485
APE 2612Z

Tel. : +33 380 48 65 68
contact@louss.fr
www.louss.fr
Best & LOuss

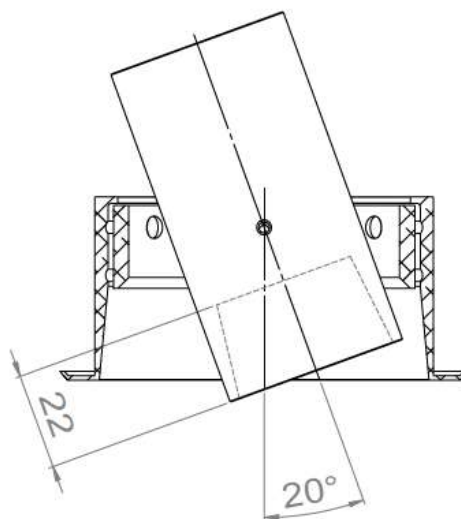
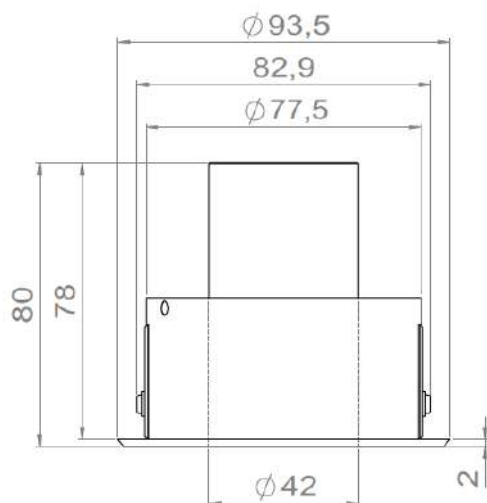
Siège social / Head Office
PA Les Terres d'Or
Route de Saint Philibert
21220 Gevrey Chambertin - FRANCE



AURORE D42 TRIM



AURORE D42 TRIM FLUSH



All the connections have to be made before powering up,
otherwise the luminaires could be seriously damaged

Last update : 2026.05.05

4/7

LOUSS

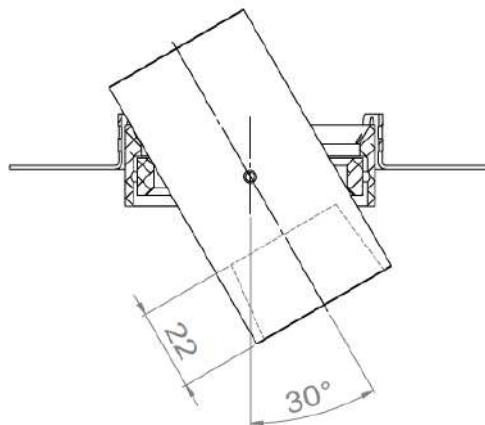
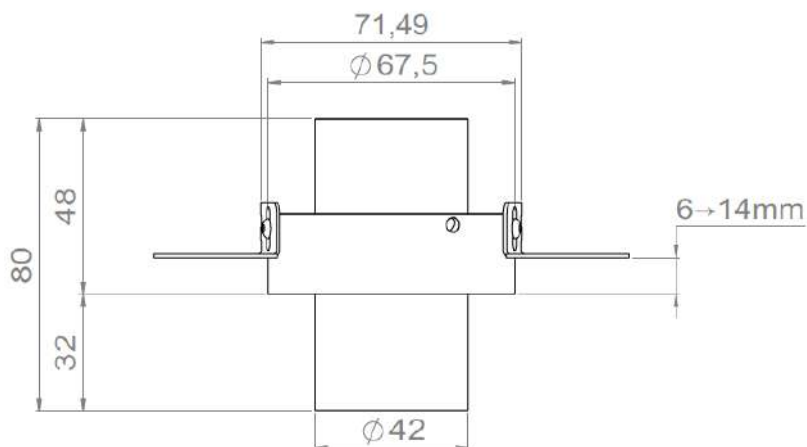
BEST SAS, Capital 200 000€
RCS Dijon B 408 483 485
TVA/VAT n° : FR94 408 483 485
APE 2612Z

Tel. : +33 380 48 65 68
contact@louss.fr
www.louss.fr
Best & LOUSS

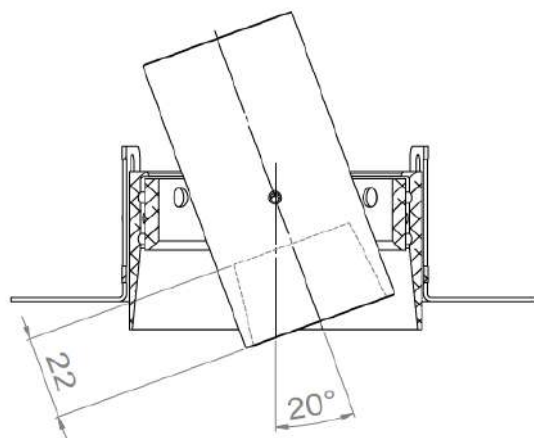
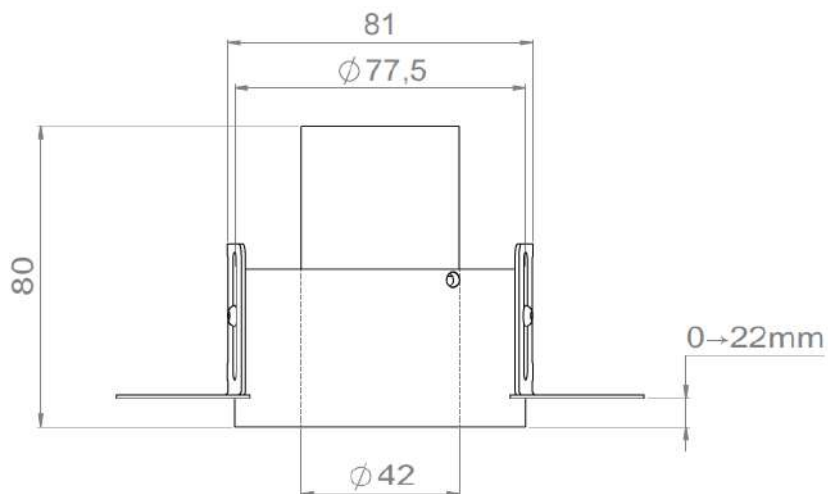
Siège social / Head Office
PA Les Terres d'Or
Route de Saint Philibert
21220 Gevrey Chambertin - FRANCE



AURORE D42 TRIMLESS



AURORE D42 TRIMLESS FLUSH



All the connections have to be made before powering up,
otherwise the luminaires could be seriously damaged

LOUSS

Last update : 2026.05.05

5/7

BEST SAS, Capital 200 000€
RCS Dijon B 408 483 485
TVA/VAT n° : FR94 408 483 485
APE 2612Z

Tel. : +33 380 48 65 68
contact@louss.fr
www.louss.fr
Best & LOUSS

Siège social / Head Office
PA Les Terres d'Or
Route de Saint Philibert
21220 Gevrey Chambertin - FRANCE

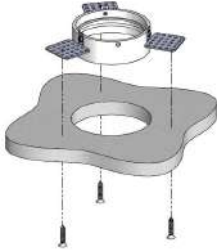


AURORE D42

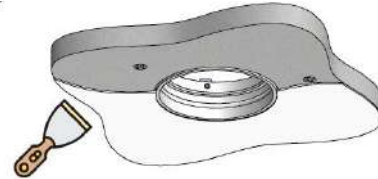
Trimless

Trimless Flush

Installation from above



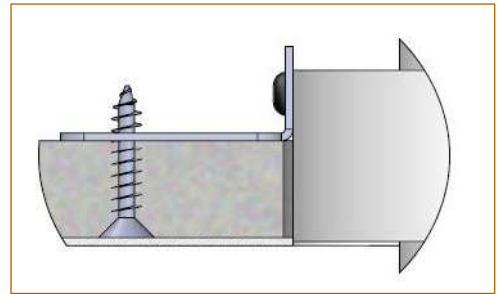
Install the recessed frame from above and screw it into the surface



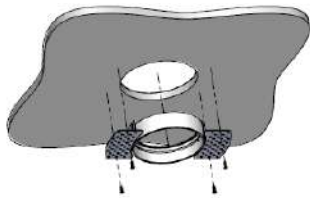
Cover the lateral plates of the recessed frame by coating and painting



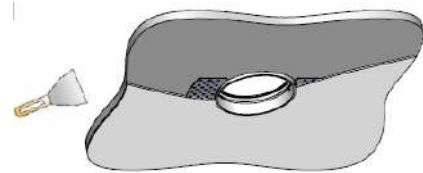
Insert the spotlight from below



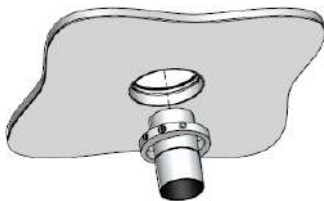
Installation from below



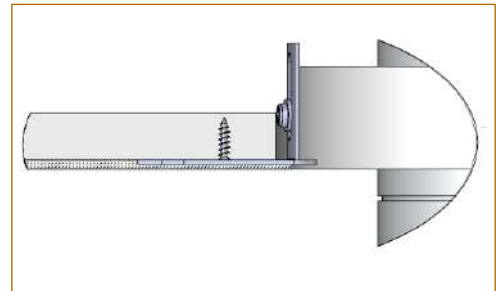
Install the recessed frame from below and screw it into the surface



Cover the lateral plates of the recessed frame by coating and painting



Insert the spotlight from below



All the connections have to be made before powering up, otherwise the luminaires could be seriously damaged

Last update : 2026.05.05

6/7

LOUSS

BEST SAS, Capital 200 000€
RCS Dijon B 408 483 485
TVA/VAT n° : FR94 408 483 485
APE 2612Z

Tel. : +33 380 48 65 68
contact@louss.fr
www.louss.fr
Best & LOUSS

Siège social / Head Office
PA Les Terres d'Or
Route de Saint Philibert
21220 Gevrey Chambertin - FRANCE



AURORE D42 • Trim • Trim Flush • Trimless • Trimless Flush

LOuss **Permuto** - Easy swap system



All the connections have to be made before powering up,
otherwise the luminaires could be seriously damaged

Last update : 2026.05.05

7/7

LOuss

BEST SAS, Capital 200 000€
RCS Dijon B 408 483 485
TVA/VAT n° : FR94 408 483 485
APE 2612Z

Tel. : +33 380 48 65 68
contact@louss.fr
www.louss.fr
Best & LOuss

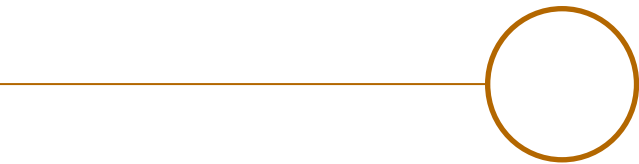
Siège social / Head Office
PA Les Terres d'Or
Route de Saint Philibert
21220 Gevrey Chambertin - FRANCE



Round Wall-Mounted



Round Wall-Mounted Magnetic



AURORE D42 WALL-MOUNTED





AURORE D42 WALL-MOUNTED • Round • Round Magnetic

Range	Highly adjustable luminaires for general & accent lighting
Description	<p>Luminaire equipped with low luminance spotlight Rotation 360° - Adjustable tilt 90° max</p> <p>Round Magnetic version : Magnetic mounting with safety sling ring Magnetic fixing disk to be fixed on a non-magnetic surface (optional)</p> <p>Easily changeable LED, optics and accessories on-site without any tool, with integrated Permuto Easy Swap system (see page 6)</p>
Finish	<p>White RAL 9003 matt finish Black RAL 9005 matt finish (other upon request)</p>
Dimensions	<p>Spotlight diameter : 42mm Spotlight length : 80mm Wall-mounted box diameter : 52mm</p>
Net weight	± 0.230kg according to version
LED characteristics	<p>2700K - 3000K - 3500K - 4000K - 5000K (other upon request) MacAdam ellipse : 3 SDCM CRI90 (standard version) - CRI95, R9 > 80</p>
Optical beams	<p>6° - 10° - 15° - 20° - 25° - 30° - 35° - 40° - 55° - 60° - Elliptical UGR < 15</p>
Accessories	Filters, honeycomb grids upon request
Luminous flux	300 to 800 lumen according to version
Power supply	<p>Remote constant current driver 700mA max. according to version Dimmable driver upon request For US & Canada, use a UL class 2 driver</p>
Power	4W to 10W according to version
Installation & Connection	<p>Luminaires supplied with 0.5m cable. Quick connector upon request Optional : connectors in the box</p> <p>The drivers can be remote to a distance up to 5m max. For greater distances (10-15m max.), please contact us. Depending on the installation, anti-surge protection may be provided with the luminaires</p> <p>Take into consideration the cumulative length of all the cables when connecting several luminaires in series on the same driver</p>

All the connections have to be made before powering up,
 otherwise the luminaires could be seriously damaged



AURORE D42 WALL-MOUNTED • Round • Round Magnetic

Use limitations	<p>The product must be installed into a ventilated area</p> <p>Any use with an ambient temperature higher than the specified ambient temperature (Ta) would lead to a more rapid mortality of the product and the withdrawal of our guarantees</p> <p>The drivers, if not delivered by LOuss, must be approved before use</p>
Warranty	<p>Life span: L80B10 at 50,000 hours (80% remaining flux) at 25°C ambient temperature</p> <p>3-year parts and labour warranty</p> <p>The warranty does not apply to products that have been opened, modified or repaired and does not cover the effects of a wrong connection, careless, abusive handling, overvoltage, lighting injury, as well as the normal wear of the product</p> <p>All products are electrically tested and received a functional burn-in</p>

All the connections have to be made before powering up,
otherwise the luminaires could be seriously damaged

LOuss

Last update: 2025.10.15

3/6

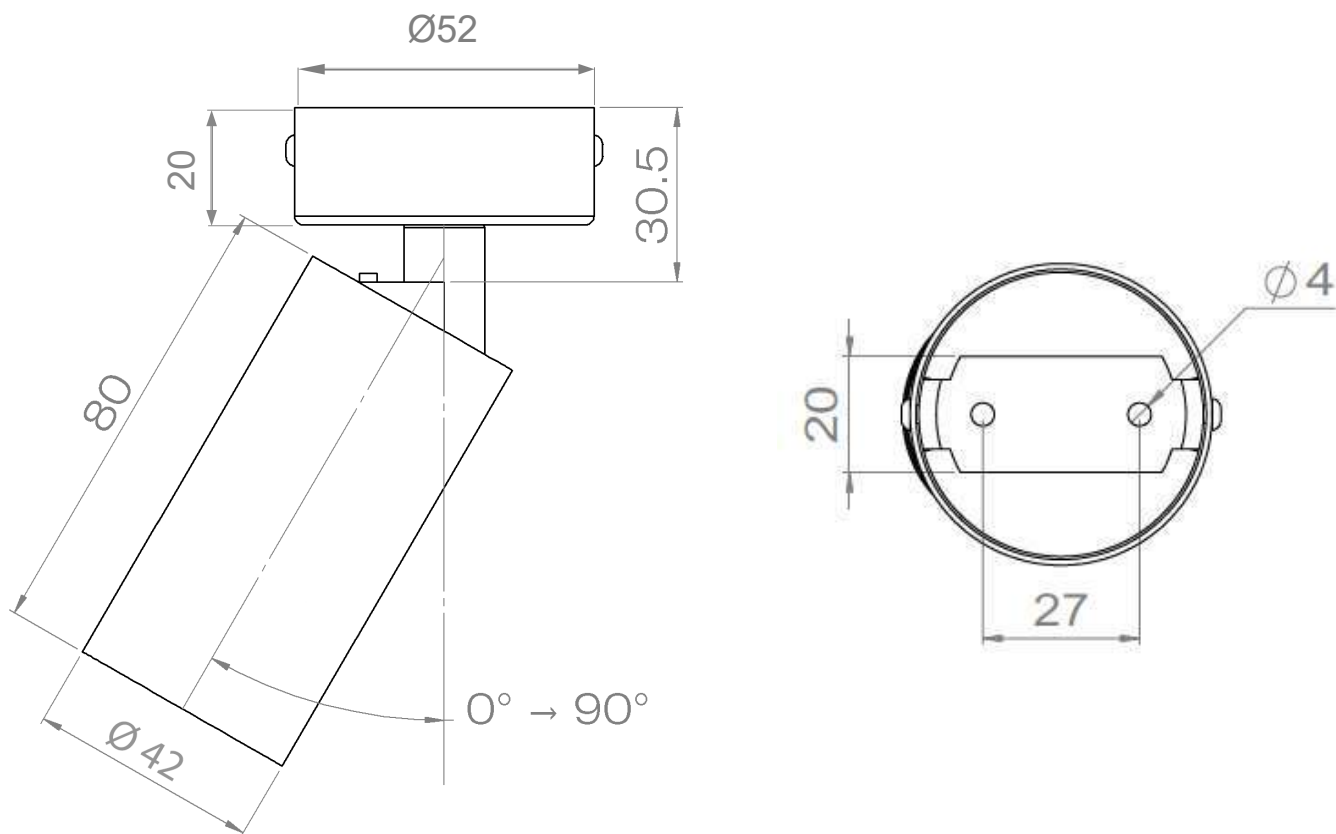
BEST SAS, Capital 200 000€
RCS Dijon B 408 483 485
TVA/VAT n° : FR94 408 483 485
APE 2612Z

Tel. : +33 380 48 65 68
contact@louss.fr
www.louss.fr
Best & LOuss

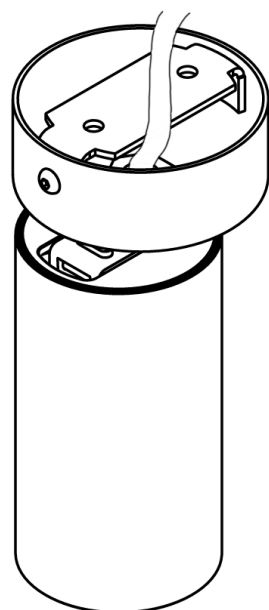
Siège social / Head Office
PA Les Terres d'Or
Route de Saint Philibert
21220 Gevrey Chambertin - FRANCE



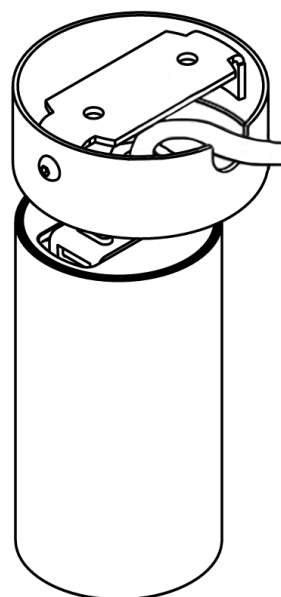
AURORE D42 ROUND WALL-MOUNTED



Cable output from behind



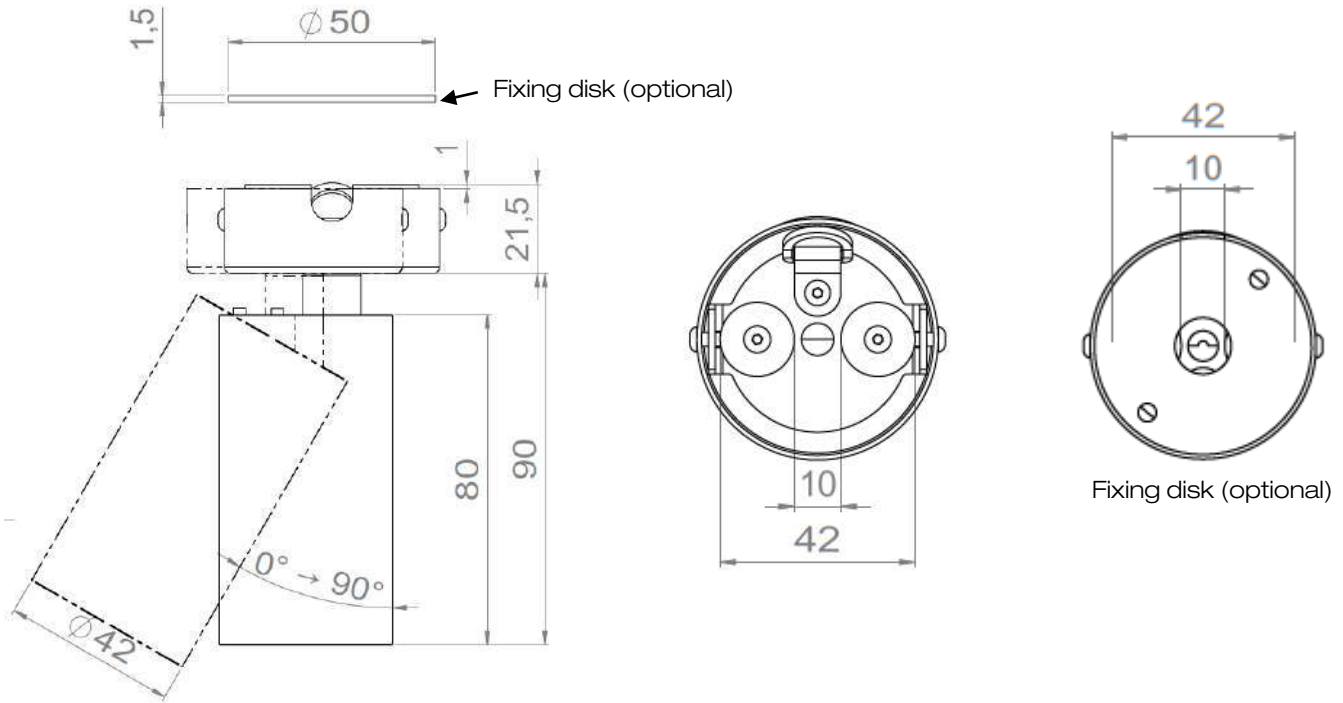
Cable output from the side



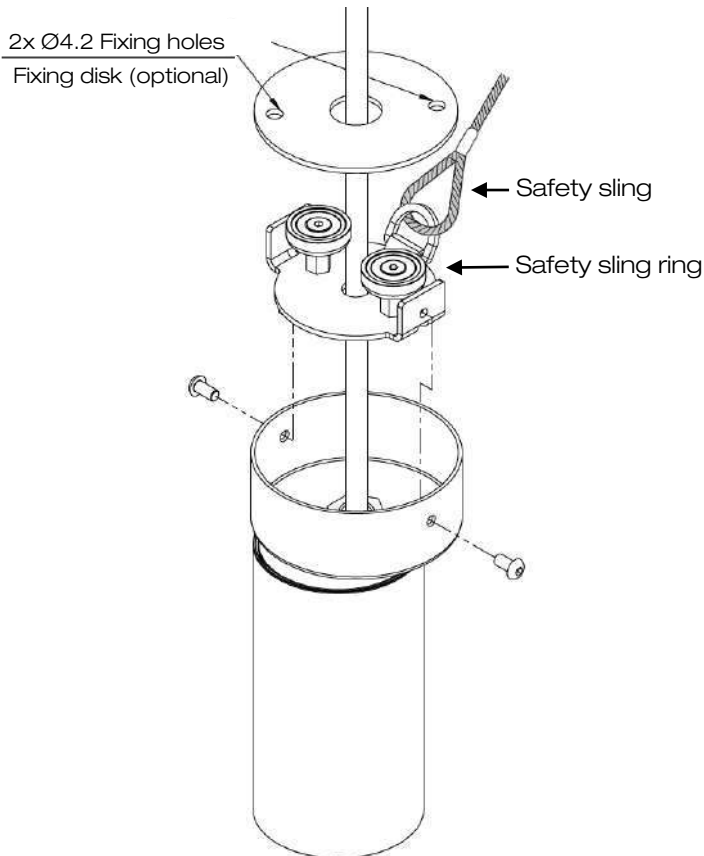
All the connections have to be made before powering up,
otherwise the luminaires could be seriously damaged



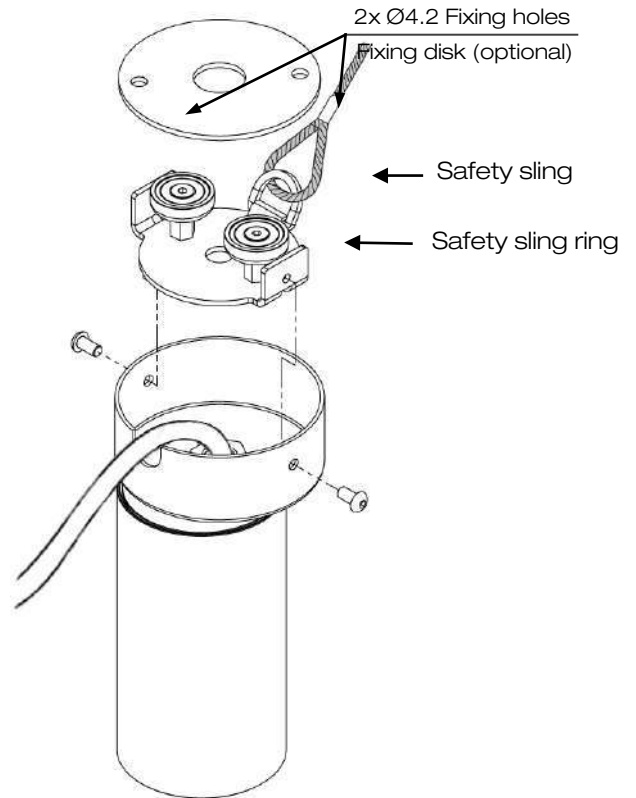
AURORE D42 ROUND WALL-MOUNTED MAGNETIC



Cable output from behind



Cable output on the side



All the connections have to be made before powering up,
otherwise the luminaires could be seriously damaged

Last update: 2025.10.15

LOUSS



AURORE D42 WALL-MOUNTED • Round • Round Magnetic

LOuss **Permuto** – easy swap system



All the connections have to be made before powering up,
otherwise the luminaires could be seriously damaged

LOuss

Last update: 2025.10.15

6/6

BEST SAS, Capital 200 000€
RCS Dijon B 408 483 485
TVA/VAT n° : FR94 408 483 485
APE 2612Z

Tel. : +33 380 48 65 68
contact@louss.fr
www.louss.fr
Best & LOuss

Siège social / Head Office
PA Les Terres d'Or
Route de Saint Philibert
21220 Gevrey Chambertin - FRANCE



AURORE D42 ON TRACK



AUORE D42 ON TRACK • 24/48V-S • 24/48V DALI • 230V • 230V DALI

	24/48V-S • DALI 24/48V	230V • DALI 230V
Power supply	Spot adaptator for 24/48V Stucchi Evo System track	<p>230V : Track adapter suitable for Global Trac PRO XTS or similar (ERCO, Trajectoire...)</p> <p>230V DALI : • Track adapter suitable for Global Trac Pulse, STUCCHI, SLV... • Optional : CASAMBI-DALI gateway (see page 5)</p>
Power	4W to 10W according to version	
Electric class	<p>24/48V tracks : class 3</p> <p>230V tracks : class 2</p>	
Use limitations	<p>The product must be installed in a ventilated area</p> <p>Any use with an ambient temperature higher than the specified ambient temperature (Ta) would lead to a more rapid mortality of the product and the withdrawal of our guarantees</p> <p>The drivers, if not delivered by LOuss, must be approved before use</p>	
Warranty	<p>Life span : L80B10 at 50,000 hours (80% remaining flux) at 25°C ambient temperature</p> <p>3-year parts and labour warranty</p> <p>The warranty does not apply to products that have been opened, modified or repaired and does not cover the effects of a wrong connection, careless, abusive handling, overvoltage, lightning injury, as well as the normal wear of the product</p> <p>All products are electrically tested and received a functional burn-in.</p>	

All the connections have to be made before powering up, otherwise the luminaires could be seriously damaged

Last update : 2025.10.30

3/6

LOuss

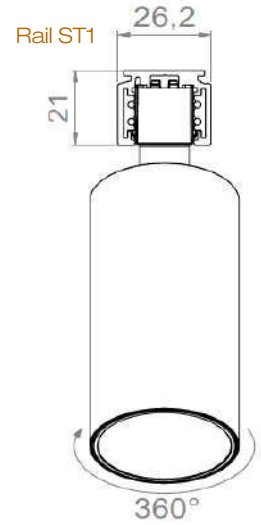
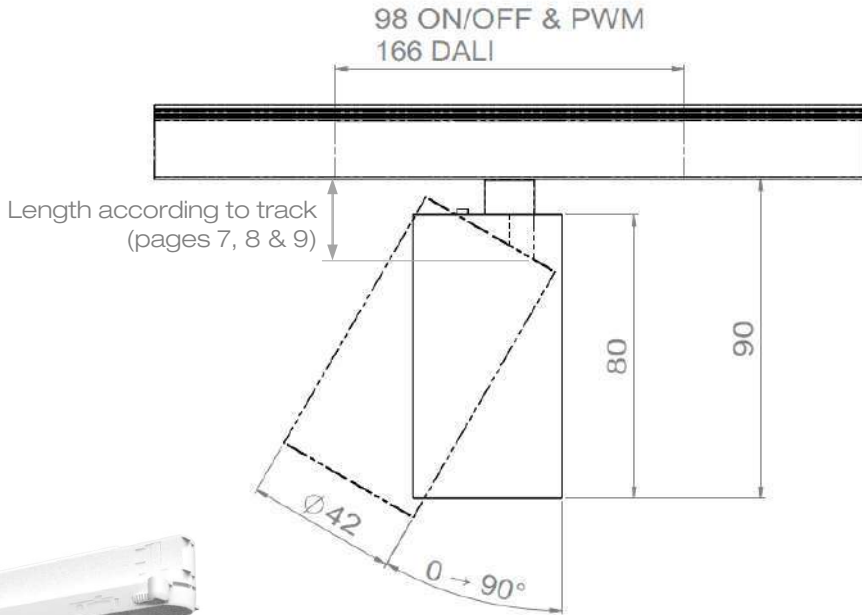
BEST SAS, Capital 200 000€
RCS Dijon B 408 483 485
TVA/VAT n° : FR94 408 483 485
APE 2612Z

Tel. : +33 380 48 65 68
contact@louss.fr
www.louss.fr
Best & LOuss

Siège social / Head Office
PA Les Terres d'Or
Route de Saint Philibert
21220 Gevrey Chambertin - FRANCE



AURORE D42 ON TRACK 24/48V-S • 24/48V DALI

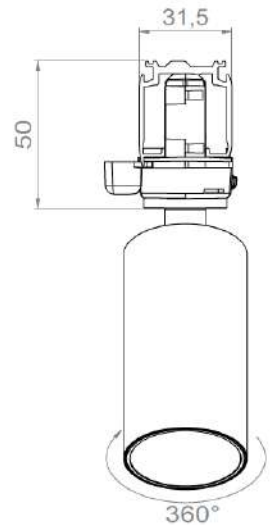
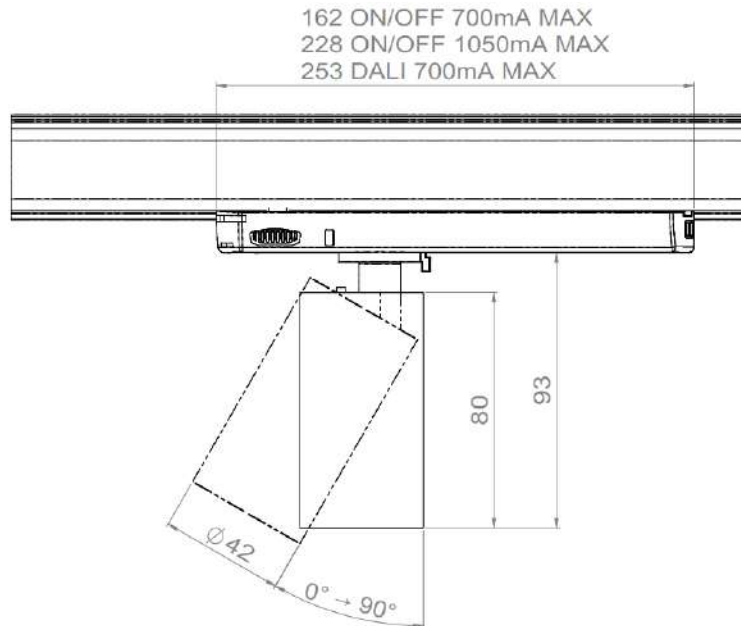
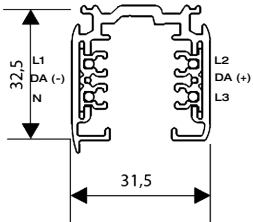


AURORE D42 ON TRACK 230V-S • 230V DALI

Track Global Trac PRO
Warning: Dimensions may vary by a few mms from one manufacturer to another



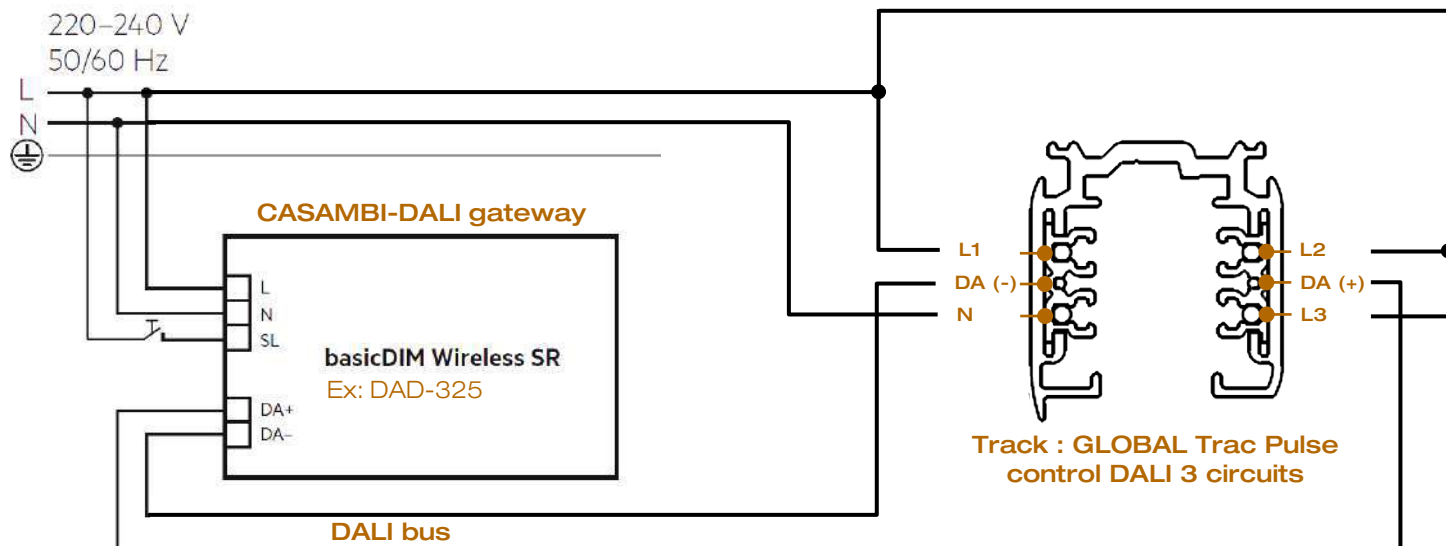
Track DALI Global Trac pulse
Warning: Dimensions may vary by a few mms from one manufacturer to another



All the connections have to be made before powering up, otherwise the luminaires could be seriously damaged



AUORE D42 230V TRACK CASAMBI-DALI Wiring system



CAUTION : 25 drivers maximum per track

All the connections have to be made before powering up,
otherwise the luminaires could be seriously damaged

Last update : 2025.10.30

5/6

LOUSS

BEST SAS, Capital 200 000€
RCS Dijon B 408 483 485
TVA/VAT n° : FR94 408 483 485
APE 2612Z

Tel. : +33 380 48 65 68
contact@louss.fr
www.louss.fr
Best & LOUSS

Siège social / Head Office
PA Les Terres d'Or
Route de Saint Philibert
21220 Gevrey Chambertin - FRANCE



AUORE D42 ON TRACK • 24/48V-S • 24/48V DALI • 230V • 230V DALI

LOuss **Permuto** – Easy swap system



All the connections have to be made before powering up,
otherwise the luminaires could be seriously damaged

Last update : 2025.10.30

6/6

LOuss

BEST SAS, Capital 200 000€
RCS Dijon B 408 483 485
TVA/VAT n° : FR94 408 483 485
APE 2612Z

Tel. : +33 380 48 65 68
contact@louss.fr
www.louss.fr
Best & LOuss

Siège social / Head Office
PA Les Terres d'Or
Route de Saint Philibert
21220 Gevrey Chambertin - FRANCE



Recessed On-plate



Fixed Canon



Trim



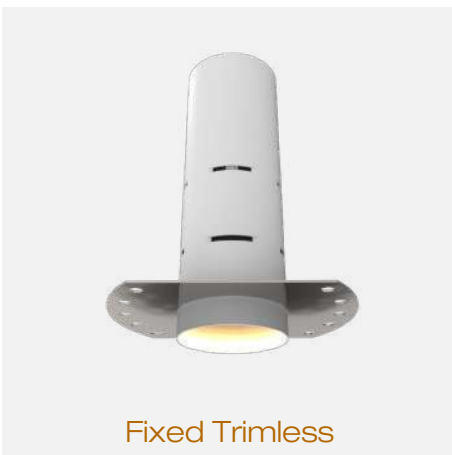
Trimless



Trimless Wall-Washer

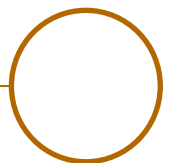


Trimless Flush



Fixed Trimless

AURORE D52 RECESSED





Range	Highly adjustable recessed ceiling downlights for general & accent lighting			
Description	Low luminance Rotation 360° Trim, Trimless & Trimless Short : Adjustable tilt 30° Fixed Trimless : Droit – pre-adjusted tilt 20° (other upon request) Trimless Flush : Adjustable tilt 20° Recessed On-plate : Adjustable tilt 90°			
Finish	White RAL 9003 matt finish Black RAL 9005 matt finish (other upon request)			
Dimensions	Recessed On-plate	Fixed Canon	Trim	Trimless
	Spotlight diameter → 52mm Plate diameter → 71mm Installation depth → 32mm Spotlight length → 13W : 95mm → 20W : 140mm Weight : ±0.30 kg	Spotlight diameter → 52mm External diameter → 52mm Installation diameter → 58mm Installation depth → 13W : 39mm → 20W : 84mm Weight : ±0.40 kg	Spotlight diameter → 52mm Recessed box diameter → 110mm Installation diameter → 84.5mm Installation depth → 13W : 90mm → 20W : 45mm Weight : ±0.45 kg	Spotlight diameter → 52mm Recessed box diameter → 89mm Installation diameter → 89mm Spotlight length : → 13W : 49mm → 20W : 94mm Weight : ±0.45 kg
	Trimless Wall Washer	Trimless Flush	Fixed Trimless	
	Spotlight diameter : → 52mm Recessed box diameter : → 89mm Installation diameter : → 89mm Installation depth : → 20W : 94mm Weight : 0.45 kg	Spotlight diameter : → 52mm Recessed box diameter : → 99mm Installation diameter : → 99mm Installation depth : → 95mm Weight : 0.45 kg	Spotlight diameter : → 52mm External diameter : → 55mm Installation diameter : → 55mm Installation depth : → 144 to 160mm (according to installation) Weight : ±0.45 kg	
LED characteristics	2700K – 3000K – 3500K – 4000K – 5000K (other upon request) MacAdam ellipse : 3 SDCM (standard version) – 2 SDCM (premium version) IRC > 90 (standard) / IRC 95, R9 > 90 (premium)			
Optics	7° - 12° - 15° - 18° - 20° - 25° - 30° - 35° - Elliptical UGR < 15			

All the connections have to be made before powering up,
otherwise the luminaires could be seriously damaged



Accessories	Filter, honeycomb grid
Luminous flux	600 to 2,000 lumen according to version
Connection	Supplied with 0.5m cable
Power supply	Remote constant current driver 700mA max. according to version Dimmable driver upon request
Power	6W to 25W according to version
Use limitations	<p>The product must be installed into a ventilated area</p> <p>This product must not be covered with insulating material</p> <p>Any use with an ambient temperature higher than the specified ambient temperature (T_a) would lead to a more rapid mortality of the product and the withdrawal of our guarantees</p> <p>The drivers, if not delivered by LOuss, must be approved before use</p>
Warranty	<p>Life span: L80-B10 = 35,000 hours (80% remaining flux) at 30°C ambient temperature</p> <p>The warranty applies to components and fabrication supplied by Louss</p> <p>The warranty does not apply to products that have been opened, modified or repaired and does not cover the effects of a wrong connection, careless, abusive handling, overvoltage, lighting injury, as well as the normal wear of the product</p> <p>All products are electrically tested and receive a functional burn-in</p>

All the connections have to be made before powering up,
otherwise the luminaires could be seriously damaged

LOuss

Creation : 2019.10.23 / Last update: 2025.08.06

3/10

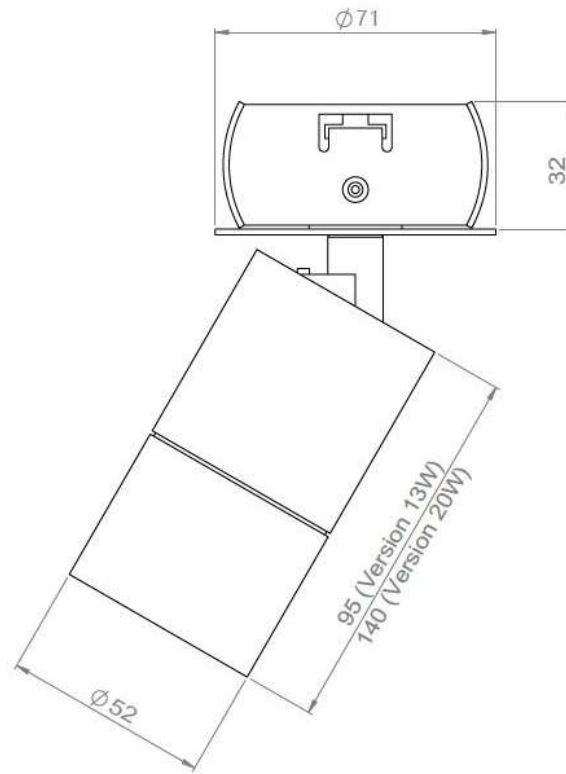
BEST SAS, Capital 200 000€
RCS Dijon B 408 483 485
TVA/VAT n° : FR94 408 483 485
APE 2612Z

Tel. : +33 380 48 65 68
contact@louss.fr
www.louss.fr
Best & LOuss

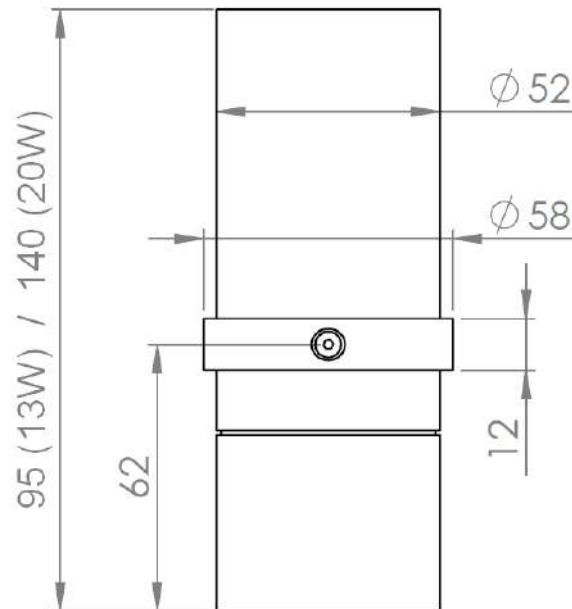
Siège social / Head Office
PA Les Terres d'Or
Route de Saint Philibert
21220 Gevrey Chambertin - FRANCE



AURORE D52 RECESSED ON-PLATE



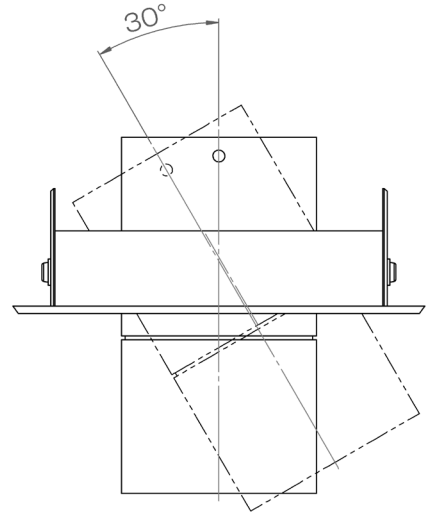
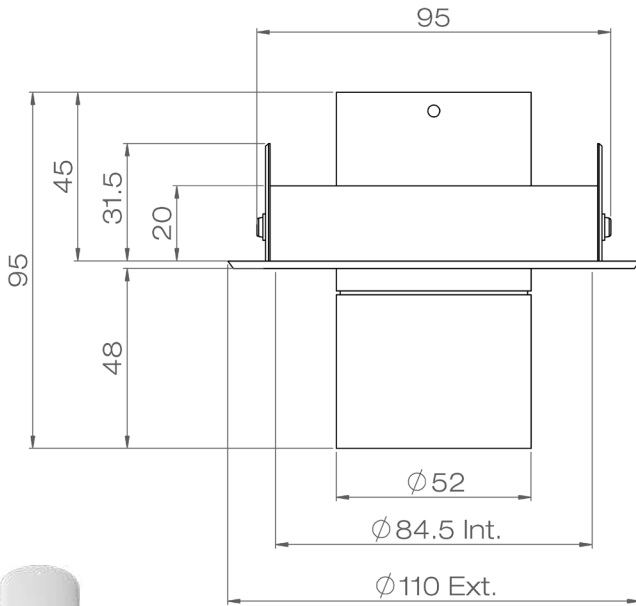
AURORE D52 FIXED CANON



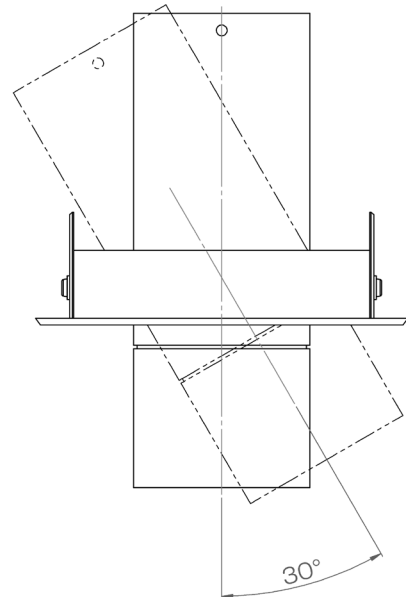
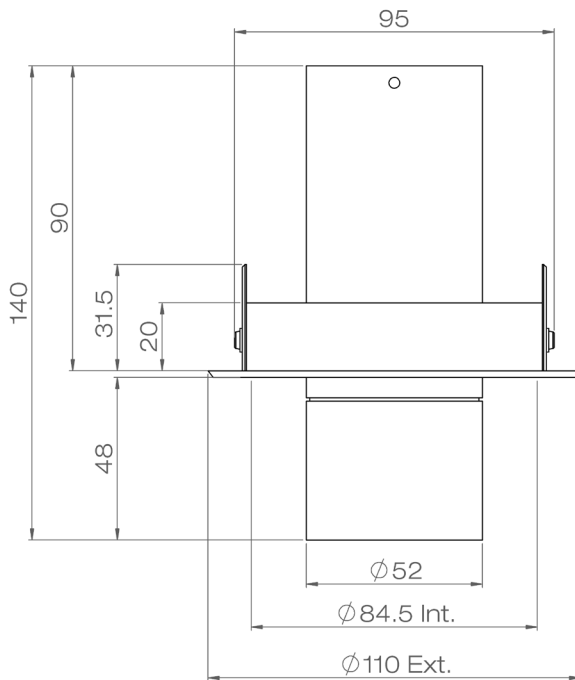
All the connections have to be made before powering up,
otherwise the luminaires could be seriously damaged



AURORE D52 TRIM 13W



AURORE D52 TRIM 20W



All the connections have to be made before powering up,
otherwise the luminaires could be seriously damaged

LOUSS

Creation : 2019.10.23 / Last update: 2025.08.06

5/10

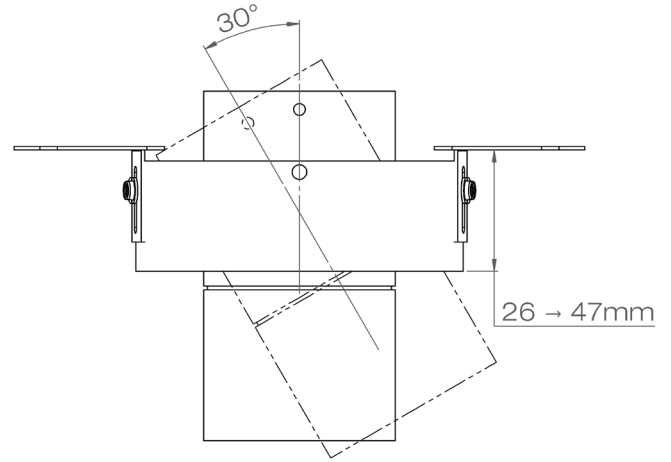
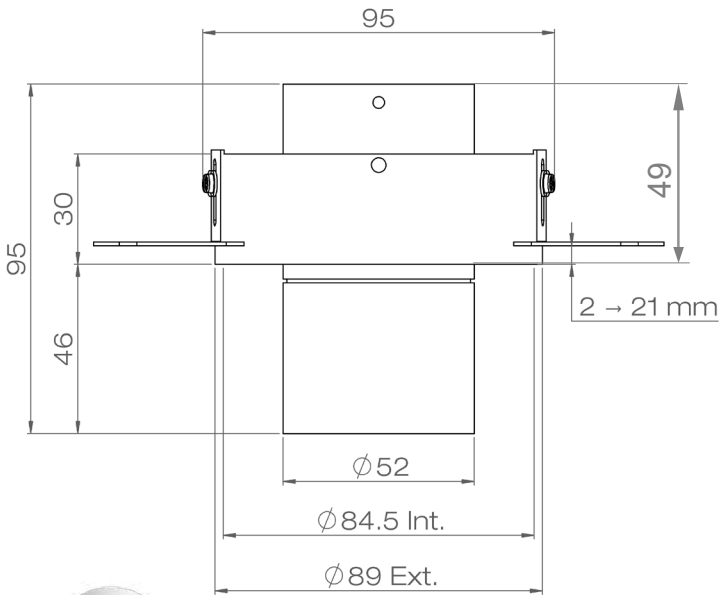
BEST SAS, Capital 200 000€
RCS Dijon B 408 483 485
TVA/VAT n° : FR94 408 483 485
APE 2612Z

Tel. : +33 380 48 65 68
contact@louss.fr
www.louss.fr
Best & LOUSS

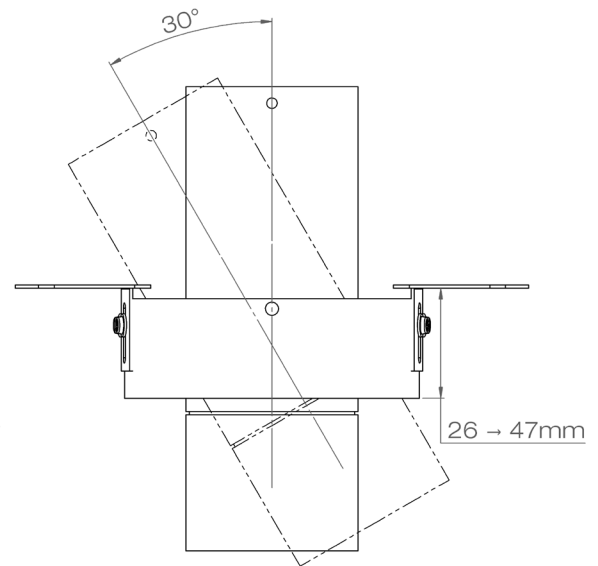
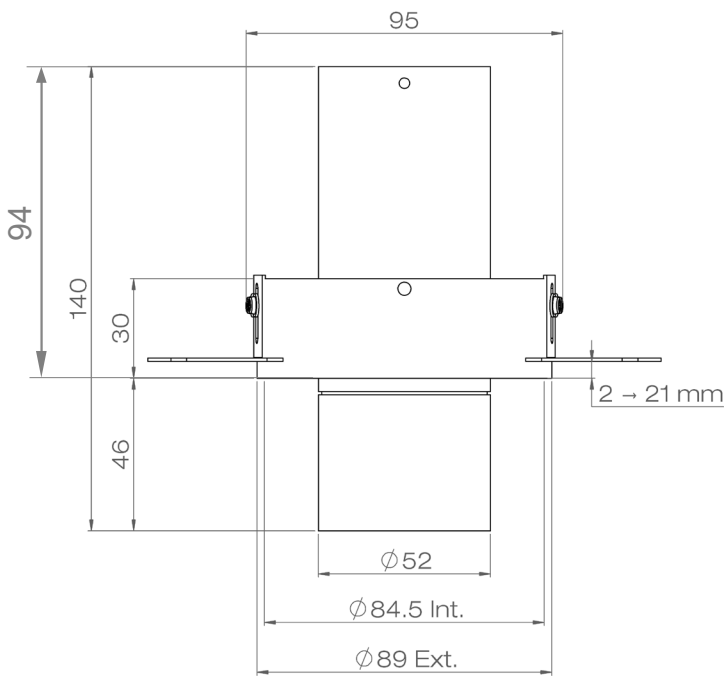
Siège social / Head Office
PA Les Terres d'Or
Route de Saint Philibert
21220 Gevrey Chambertin - FRANCE



AURORE D52 TRIMLESS 13W



AURORE D52 TRIMLESS 20W



All the connections have to be made before powering up,
otherwise the luminaires could be seriously damaged

LOUSS

Creation : 2019.10.23 / Last update: 2025.08.06

6/10

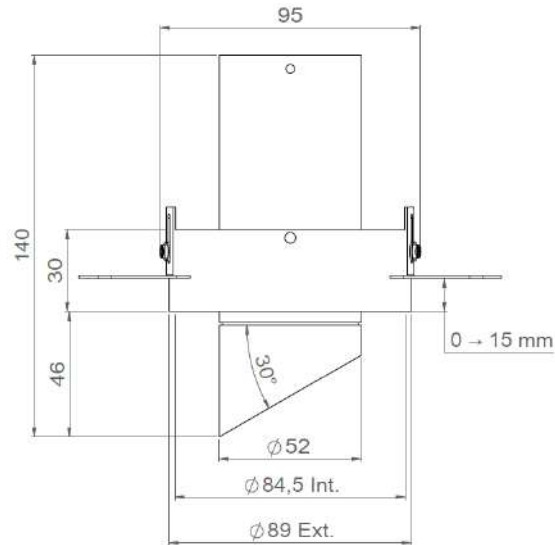
BEST SAS, Capital 200 000€
RCS Dijon B 408 483 485
TVA/VAT n° : FR94 408 483 485
APE 2612Z

Tel. : +33 380 48 65 68
contact@louss.fr
www.louss.fr
Best & LOUSS

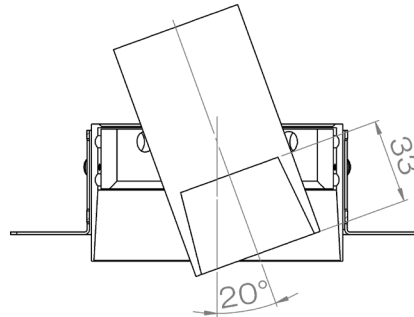
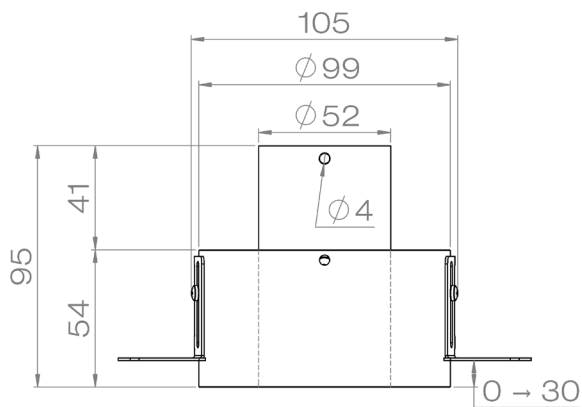
Siège social / Head Office
PA Les Terres d'Or
Route de Saint Philibert
21220 Gevrey Chambertin - FRANCE



AURORE D52 TRIMLESS WALL WASHER

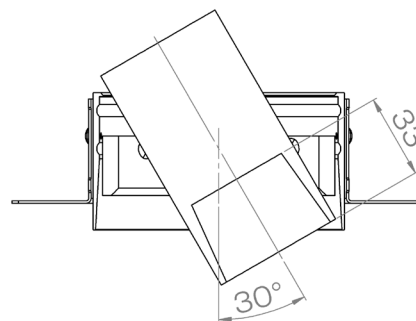
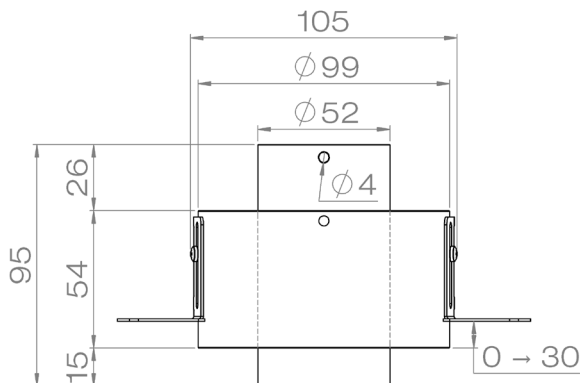


AURORE D52 TRIMLESS FLUSH



Upper position

Insert the luminaire into the **upper position** of the recessed frame to obtain a **flush** luminaire



Low position

To obtain **30° orientation** angle, insert the luminaire in the **lowest position**

WARNING :
in this position, the spotlight cannot flush with the ceiling

All the connections have to be made before powering up,
otherwise the luminaires could be seriously damaged

Louss

Creation : 2019.10.23 / Last update: 2025.08.06

7/10

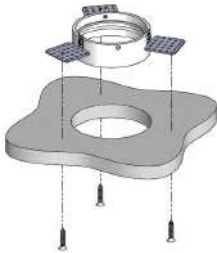
BEST SAS, Capital 200 000€
RCS Dijon B 408 483 485
TVA/VAT n° : FR94 408 483 485
APE 2612Z

Tel. : +33 380 48 65 68
contact@louss.fr
www.louss.fr
Best & LOUSS

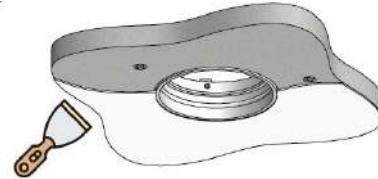
Siège social / Head Office
PA Les Terres d'Or
Route de Saint Philibert
21220 Gevrey Chambertin - FRANCE



Installation from above



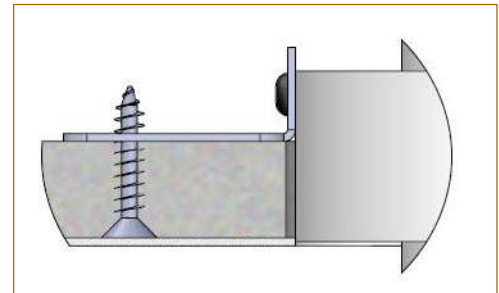
Install the recessed frame from above and screw it into the surface



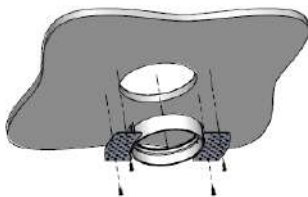
Cover the lateral plates of the recessed frame by coating and painting



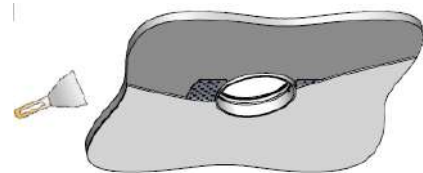
Insert the spotlight from below



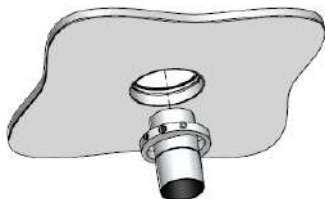
Installation from below



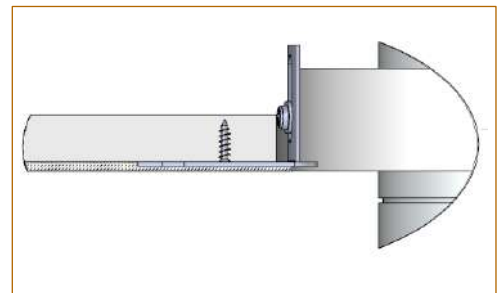
Install the recessed frame from below and screw it into the surface



Cover the lateral plates of the recessed frame by coating and painting



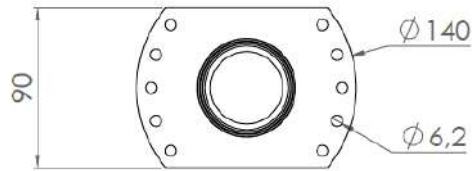
Insert the spotlight from below



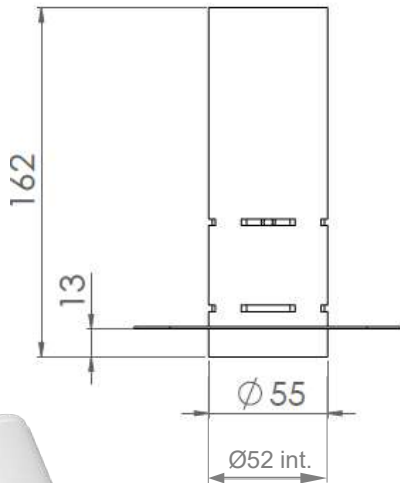
All the connections have to be made before powering up,
otherwise the luminaires could be seriously damaged



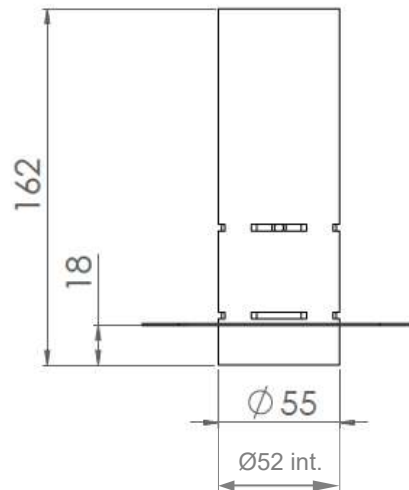
AURORE D52 TRIMLESS FIXE DROIT



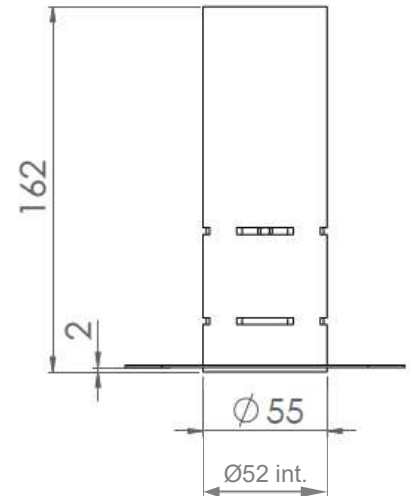
BA13 version
Installation from above



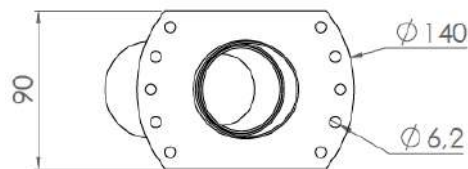
BA18 version
Installation from above



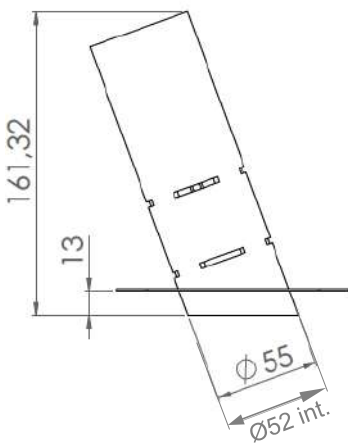
Installation from below



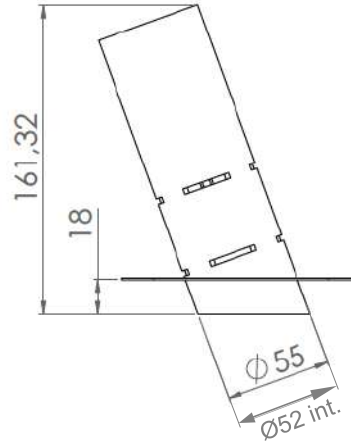
AURORE D52 TRIMLESS FIXE INCLINÉ



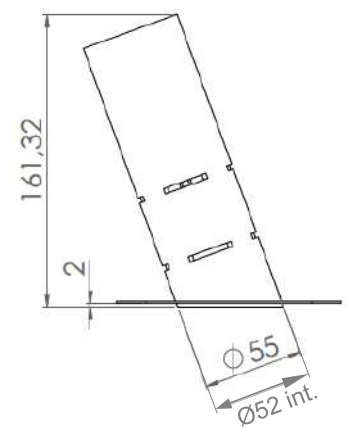
BA13 version
Installation from above



BA18 version
Installation from above



Installation from below

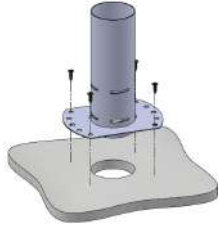


All the connections have to be made before powering up,
otherwise the luminaires could be seriously damaged

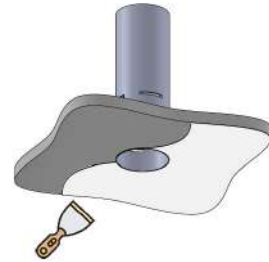


AURORE D52 FIXED TRIMLESS

Installation from above



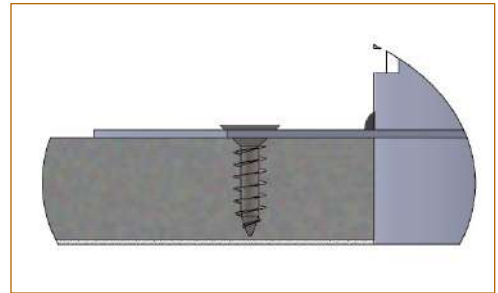
Install the recessed tube from above and screw it into the surface



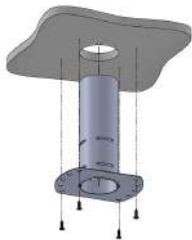
Cover the lateral plates of the recessed tube by coating and painting



Insert the spotlight from below



Installation from below



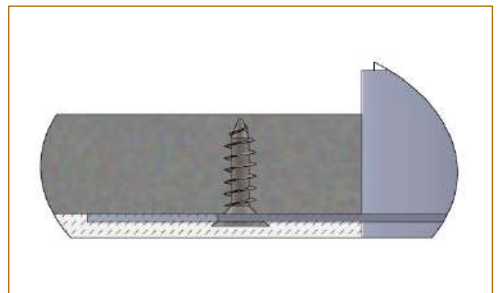
Install the recessed tube from below and screw it into the surface



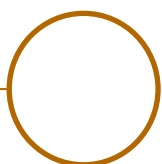
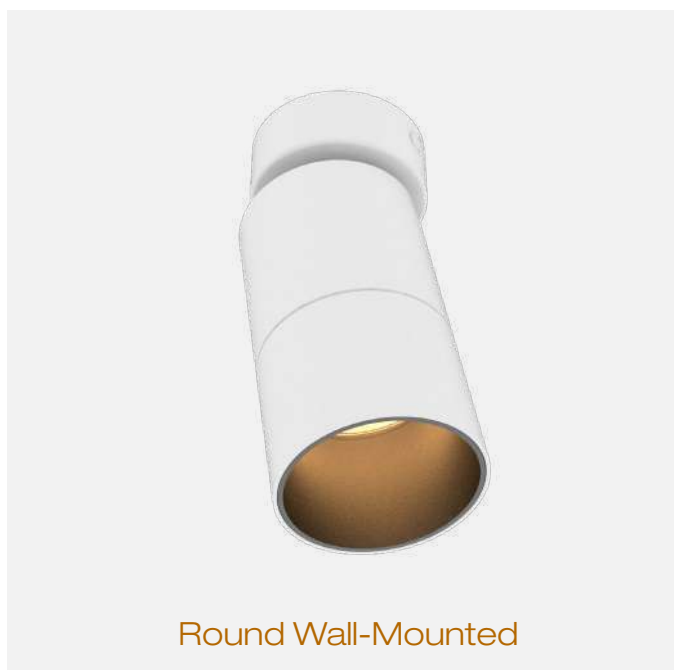
Cover the lateral plates of the recessed tube by coating and painting



Insert the spotlight from below



All the connections have to be made before powering up, otherwise the luminaires could be seriously damaged



AURORE D52 WALL-MOUNTED



Round Wall-Mounted



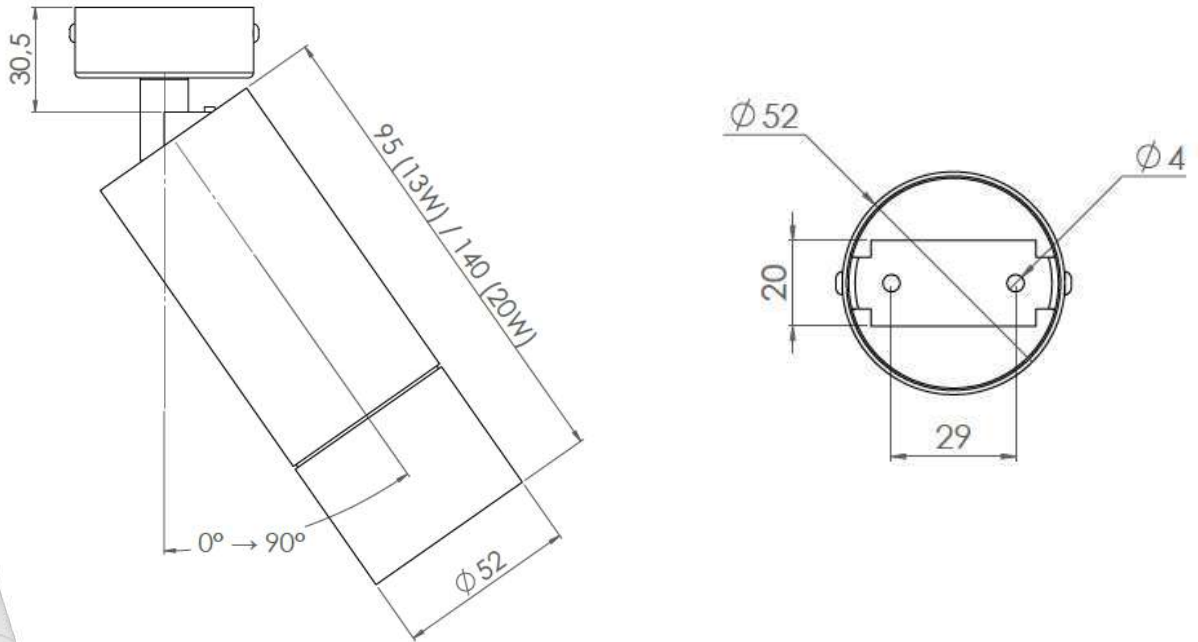
Rectangular Wall-Mounted

Range	Highly adjustable luminaires for general & accent lighting	
Description	Low luminance Rotation 360° - Adjustable tilt 90°	
Finish	White RAL 9003 matt finish Black RAL 9005 matt finish (other upon request)	
Dimensions	Round Wall-Mounted	Rectangular Wall-Mounted
	Spotlight diameter : 52mm Spotlight length : 95mm (13W) 140mm (20W) Box diameter : 52mm	Spotlight diameter : 52mm Spotlight length : 95mm (13W) 140mm (20W) Box dimensions : 142.5x60.5mm
Net weight	0.3kg	0.8kg
LED characteristics	2700K – 3000K – 3500K - 4000K – 5000K (other upon request) MacAdam ellipse : 3 SDCM (standard) – 2 SDCM (premium) CRI 90 (standard) – CRI 95, R9 > 90 (premium)	
Optical beams	7° - 12° - 15° - 25° - 30° - 40° - Asymmetrical – Elliptical UGR < 15	
Accessories	Filters, honeycomb grid upon request	
Luminous flux	600 to 2,000 lumen according to version	
Connection	Supplied with 0.5m cable or connectors in the wall-mounted box	
Power supply	All Versions	Rectangular Wall-Mounted
	Remote constant current driver 1400mA max. according to version Dimmable driver upon request For US & Canada, use a UL class 2 driver	Driver 700mA max. integrated in the box For US & Canada, use a UL class 2 driver
Power	6W to 25W according to version	
Use limitations	The product must be installed into a ventilated area Any use with an ambient temperature higher than the specified ambient temperature (Ta) would lead to a more rapid mortality of the product and the withdrawal of our guarantees The drivers, if not delivered by LOuss, must be approved before use	
Warranty	Life span: L80B10 at 50,000 hours (80% remaining flux) at 25°C ambient temperature. 3-year parts and labour warranty The warranty does not apply to products that have been opened, modified or repaired and does not cover the effects of a wrong connection, careless, abusive handling, overvoltage, lighting injury, as well as the normal wear of the product All products are electrically tested and received a functional burn-in	

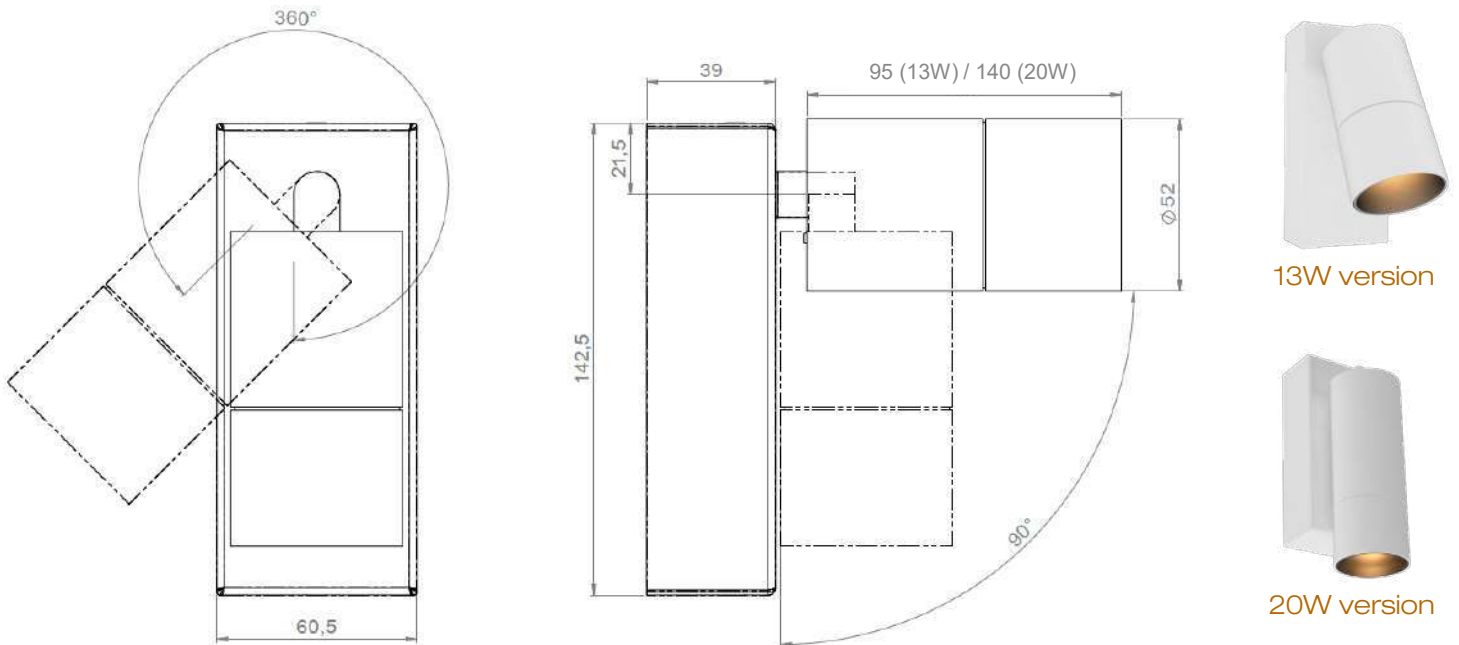
All the connections have to be made before powering up,
otherwise the luminaires could be seriously damaged



AURORE D52 ROUND WALL-MOUNTED



AURORE D52 RECTANGULAR WALL-MOUNTED



All the connections have to be made before powering up,
otherwise the luminaires could be seriously damaged

Last update: 2025.06.13

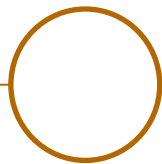
3/3

LOUSS

BEST SAS, Capital 200 000€
RCS Dijon B 408 483 485
TVA/VAT n° : FR94 408 483 485
APE 2612Z

Tel. : +33 380 48 65 68
contact@louss.fr
www.louss.fr
Best & LOUSS

Siège social / Head Office
PA Les Terres d'Or
Route de Saint Philibert
21220 Gevrey Chambertin - FRANCE

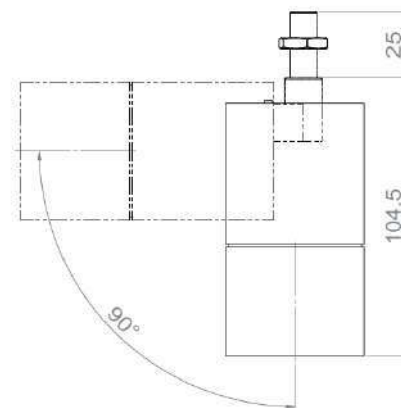
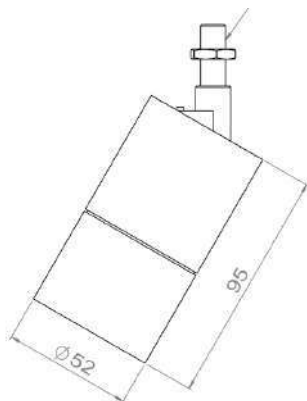


AURORE D52 PIVOT





Threaded rod M10x1 + fixing nut



AURORE D52 PIVOT

Range	Highly adjustable luminaire for general & accent lighting
Description	Low luminance Rotation 360° - Adjustable tilt 90° max
Finish	White RAL 9003 matt finish Black RAL 9005 matt finish (other upon request)
Dimensions	Spotlight diameter : 52mm Spotlight length : 95mm
Net Weight	0.5kg
LED characteristics	2700K – 3000K – 4000K – 5000K (other upon request) MacAdam ellipse: 3 SDCM (standard) – 2 SDCM (premium) CRI 90 (standard) – CRI 95, R9 > 90 (premium)
Optical beams	7° - 12° - 15° - 20° - 25° - 30° - 35° - Elliptical UGR < 15
Accessories	Filters, honeycomb grid
Luminous flux	600 to 2,000 lumen according to version
Installation	Fixation with threaded rod M10x1 + fixing nut
Connection	Supplied with 0.5m cable
Power supply	Remote constant current driver 1400mA max. according to version Dimmable driver upon request For US & Canada, use a UL class 2 driver
Power	6W to 13W according to version
Use limitations	The product must be installed into a ventilated area Any use with an ambient temperature higher than the specified ambient temperature (Ta) would lead to a more rapid mortality of the product and the withdrawal of our guarantees The drivers, if not delivered by LOuss, must be approved before use
Warranty	Life span: L80B10 at 50,000 hours (80% remaining flux) at 25°C ambient temperature. 3-year parts and labour warranty The warranty does not apply to products that have been opened, modified or repaired and does not cover the effects of a wrong connection, careless, abusive handling, overvoltage, lighting injury, as well as the normal wear of the product All products are electrically tested and received a functional burn-in

All the connections have to be made before powering up,
otherwise the luminaires could be seriously damaged



AURORE D52 TRACK



AURORE D52 ON TRACK • 24/48V-S • 24/48V Dali • 230V • 230V Dali

Range	Highly flexible spotlight on track for general & accent lighting	
Description	Low luminance Rotation 360° - Adjustable tilt 90°	
Finish	White RAL 9003 matt finish Black RAL 9005 matt finish (other upon request)	
Dimensions	24/48V-S • DALI 24/48V	230V • DALI 230V
	Spotlight Diameter : 52mm Length : 96mm (\leq 13W) 140mm (\leq 20W) Driver's length : 98mm (ON/OFF) 166mm (DALI) Stucchi Evo System Track ST1 : 26.2 x 21mm	Spotlight Diameter : 52mm Length : 96mm (\leq 13W) 140mm (\leq 20W) Driver's length : 162mm (ON/OFF) 253.5mm (DALI) Track Dimensions : 31.5 x 35.5mm
Net weight	24/48V-S • DALI 24/48V	230V • DALI 230V
	Spotlight (driver included) ± 0.270 kg according to version Stucchi Evo System Track ST1 : 0.7 kg/m	Spotlight (driver included) ± 0.5 kg according to version Track ± 1 kg/m
LED characteristics	2700K - 3000K - 3500K - 4000K - 5000K (other upon request) MacAdam ellipse : 3 SDCM (standard) 2 SDCM (premium) CRI 90 - 95 - 98	
Optical beams	7° - 12° - 15° - 20° - 25° - 30° - 35° - Elliptical UGR < 15	
Accessories	Filters, honeycomb grid, chamfered spotlight body upon request	
Luminous flux	24/48V-S • 24/48V DALI	230V • 230V DALI
	600 to 1,200 lumen according to version	600 to 2,000 lumen according to version
Integrated Power supply	24/48V-S • DALI 24/48V	230V • DALI 230V
	Spot adaptor for 24/48V Stucchi Evo System track	230V : Track adapter suitable for Global Trac PRO XTS or similar (ERCO, Trajectoire...) 230V DALI : • Track adapter suitable for Global Trac Pulse, STUCCHI, SLV... • Optional : CASAMBI-DALI gateway (see page 6)

All the connections have to be made before powering up, otherwise the luminaires could be seriously damaged



AUORE D52 ON TRACK • 24/48V-S • 24/48V Dali • 230V • 230V Dali

Power	≤ 18W LED (20W driver included) according to version
Power Consumption	6W to 25W according to version
Electric class	24/48V tracks : class 3 230V tracks : class 2
Use limitations	The product must be installed in a ventilated area Any use with an ambient temperature higher than the specified ambient temperature (Ta) would lead to a more rapid mortality of the product and the withdrawal of our guarantees The drivers, if not delivered by LOuss, must be approved before use
Warranty	Life span : L80B10 at 50,000 hours (80% remaining flux) at 25°C ambient temperature 3-year parts and labour warranty The warranty does not apply to products that have been opened, modified or repaired and does not cover the effects of a wrong connection, careless, abusive handling, overvoltage, lightning injury, as well as the normal wear of the product All products are electrically tested and received a functional burn-in

All the connections have to be made before powering up,
otherwise the luminaires could be seriously damaged

Last update : 2025.10.30

3/6

LOuss

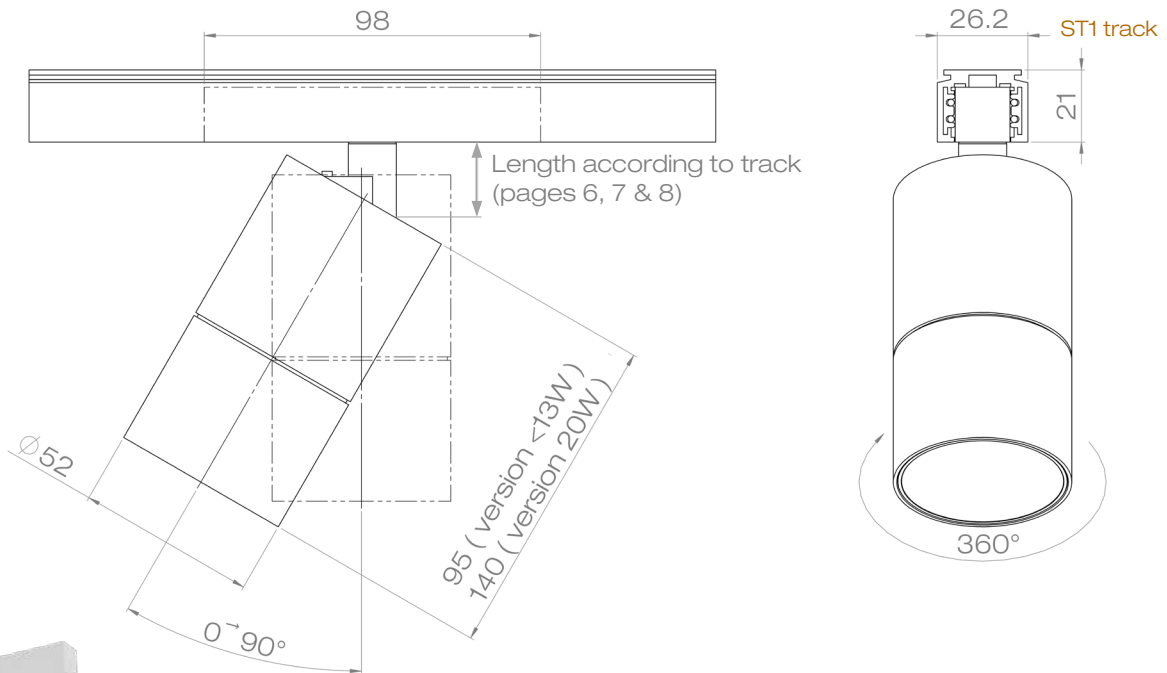
BEST SAS, Capital 200 000€
RCS Dijon B 408 483 485
TVA/VAT n° : FR94 408 483 485
APE 2612Z

Tel. : +33 380 48 65 68
contact@louss.fr
www.louss.fr
Best & LOuss

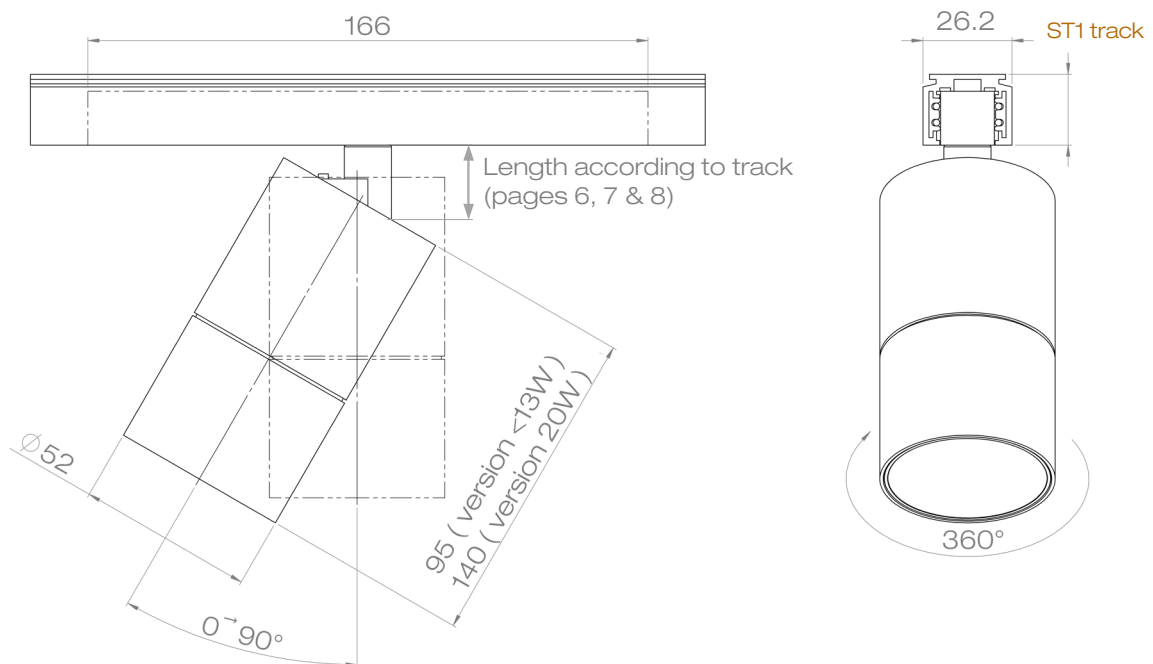
Siège social / Head Office
PA Les Terres d'Or
Route de Saint Philibert
21220 Gevrey Chambertin - FRANCE



AURORE D52 24/48V-S TRACK



AURORE D52 24/48V DALI TRACK



All the connections have to be made before powering up,
otherwise the luminaires could be seriously damaged

Louss

Last update : 2025.10.30

4/6

BEST SAS, Capital 200 000€
RCS Dijon B 408 483 485
TVA/VAT n° : FR94 408 483 485
APE 2612Z

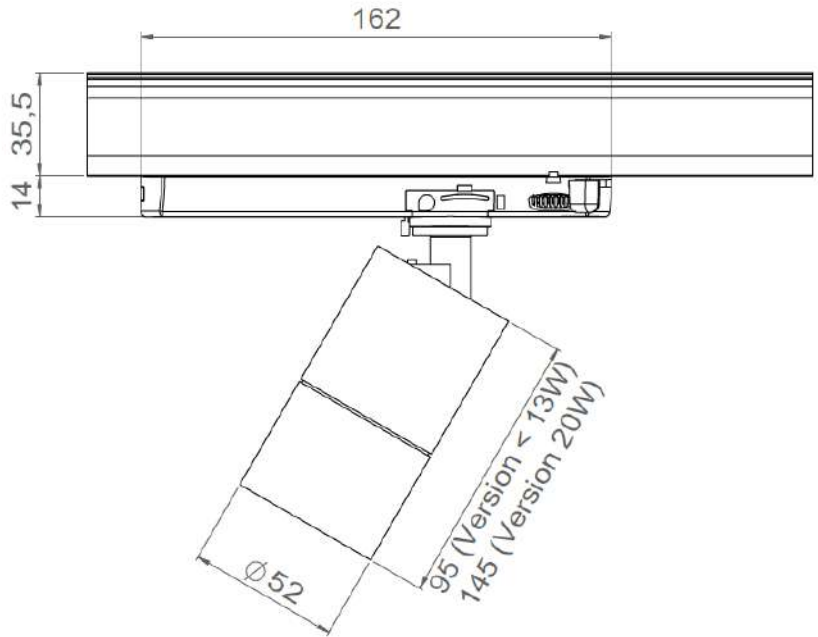
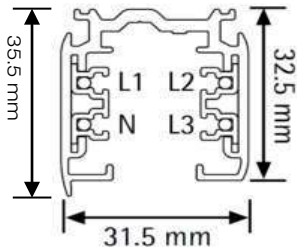
Tel. : +33 380 48 65 68
contact@louss.fr
www.louss.fr
Best & LOUSS

Siège social / Head Office
PA Les Terres d'Or
Route de Saint Philibert
21220 Gevrey Chambertin - FRANCE



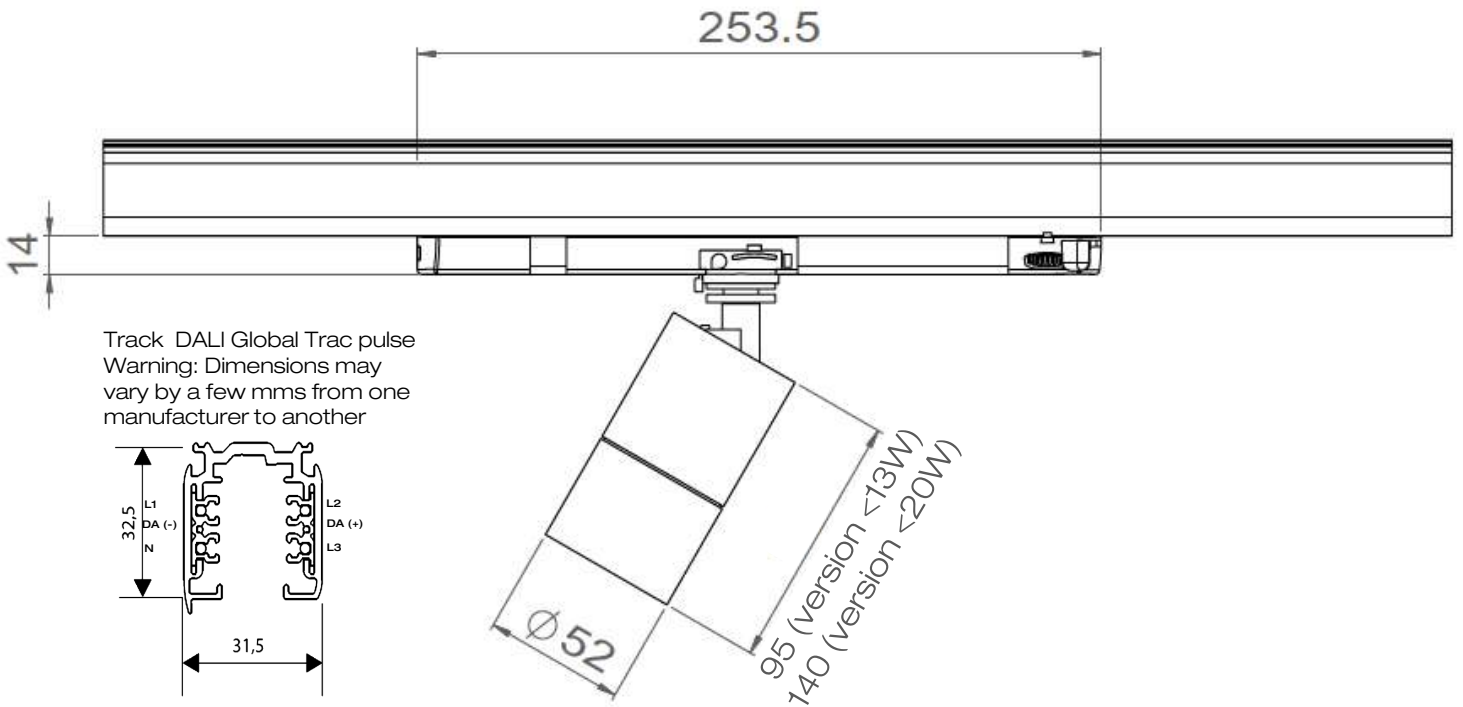
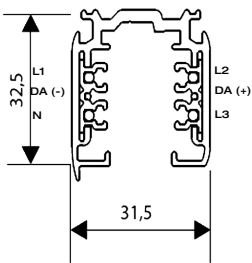
AURORE D52 230V TRACK

Track Global Trac PRO
Warning: Dimensions may vary by a few mms from one manufacturer to another



AURORE D52 230V DALI TRACK

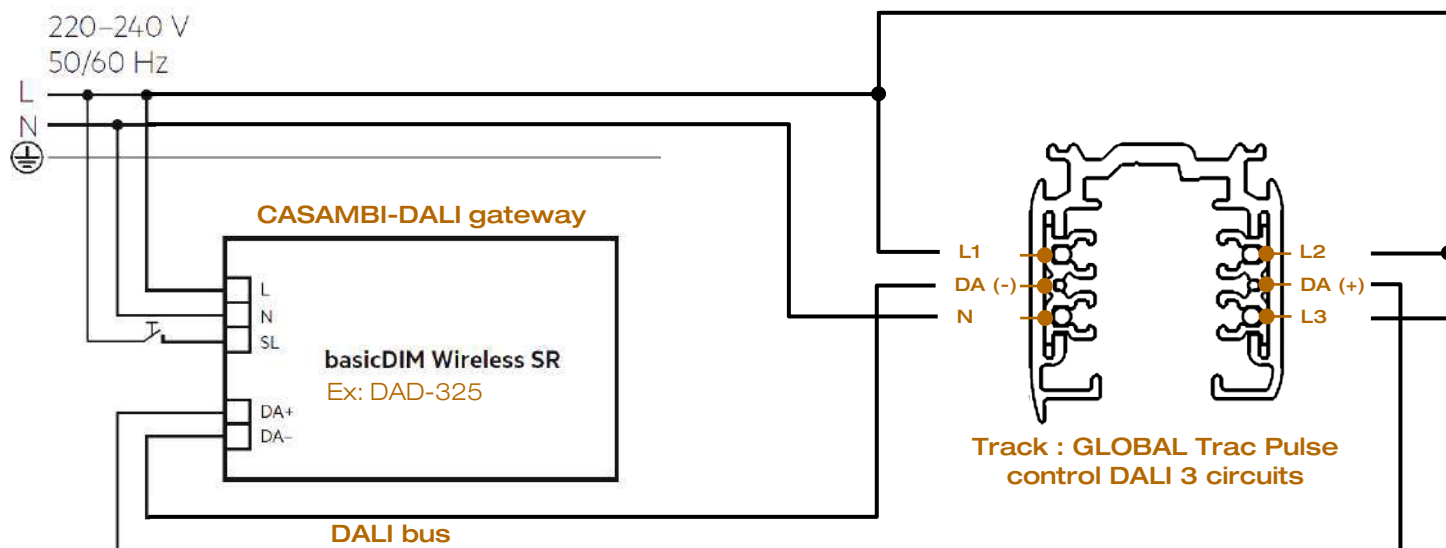
Track DALI Global Trac pulse
Warning: Dimensions may vary by a few mms from one manufacturer to another



All the connections have to be made before powering up, otherwise the luminaires could be seriously damaged



AURORE D52 230V TRACK CASAMBI-DALI Wiring system



CAUTION : 25 drivers maximum per track

All the connections have to be made before powering up,
otherwise the luminaires could be seriously damaged

Last update : 2025.10.30

6/6

Louss

BEST SAS, Capital 200 000€
RCS Dijon B 408 483 485
TVA/VAT n° : FR94 408 483 485
APE 2612Z

Tel. : +33 380 48 65 68
contact@louss.fr
www.louss.fr
Best & LOuss

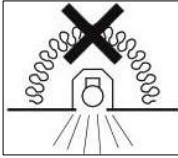
Siège social / Head Office
PA Les Terres d'Or
Route de Saint Philibert
21220 Gevrey Chambertin - FRANCE



AURORE D55 RECESSED



AURORE D55 • Trim • Trim Flush • Trimless • Trimless Flush

<p>Use limitations</p> 	<p>The product must be installed into a ventilated area</p> <p>This product must not be covered with insulating material</p> <p>Any use with an ambient temperature higher than the specified ambient temperature (Ta) would lead to a more rapid mortality of the product and the withdrawal of our guarantees</p> <p>The drivers, if not delivered by LOuss, must be approved before use</p>
<p>Warranty</p>	<p>Life span : L80B10 at 50,000 hours (80% remaining flux) at 25°C ambient temperature</p> <p>3-year parts and labour warranty</p> <p>The warranty does not apply to products that have been opened, modified or repaired and does not cover the effects of a wrong connection, careless, abusive handling, overvoltage, lightning injury, as well as the normal wear of the product</p> <p>All products are electrically tested and received a functional burn-in</p>

All the connections have to be made before powering up,
otherwise the luminaires could be seriously damaged

Creation : 2025.02.11 / Last update: 2026.05.06

3/7

LOuss

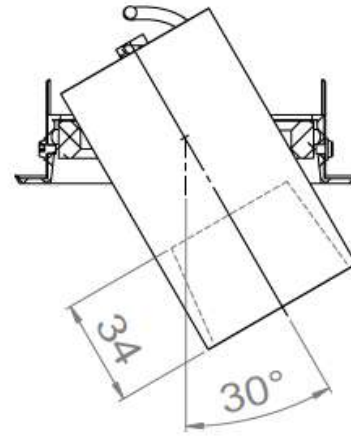
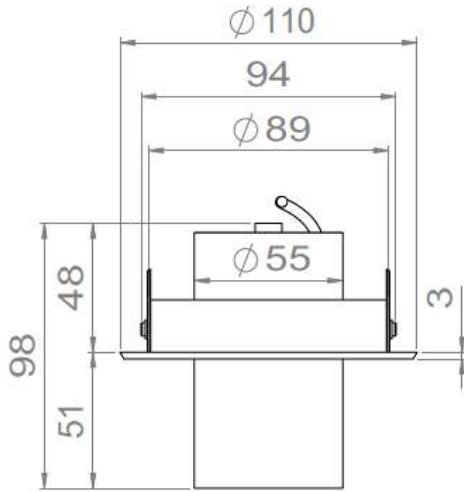
BEST SAS, Capital 200 000€
RCS Dijon B 408 483 485
TVA/VAT n° : FR94 408 483 485
APE 2612Z

Tel. : +33 380 48 65 68
contact@louss.fr
www.louss.fr
Best & LOuss

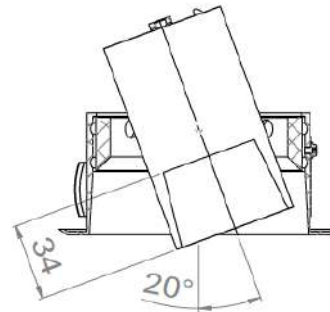
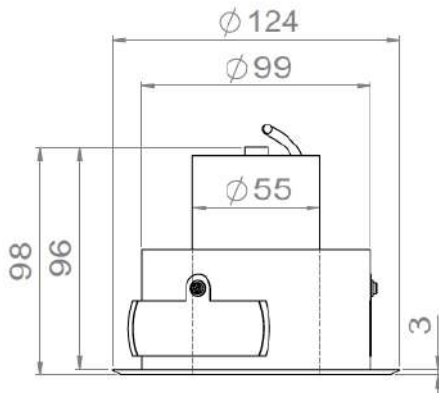
Siège social / Head Office
PA Les Terres d'Or
Route de Saint Philibert
21220 Gevrey Chambertin - FRANCE



AURORE D55 TRIM

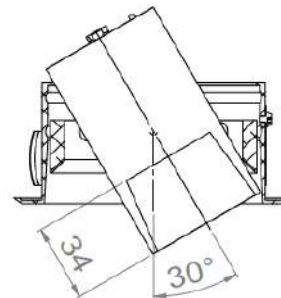
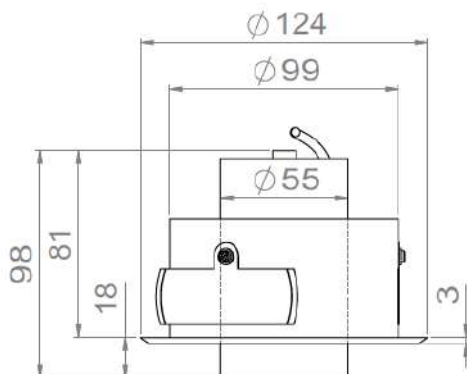


AURORE D55 TRIM FLUSH



Upper position

Insert the luminaire into the upper position of the recessed frame to obtain a flush luminaire



Low position

To obtain 30° orientation angle, insert the luminaire in the lowest position

WARNING :
in this position, the spotlight cannot flush with the ceiling

All the connections have to be made before powering up, otherwise the luminaires could be seriously damaged

Creation : 2025.02.11 / Last update: 2026.05.06

LOUSS

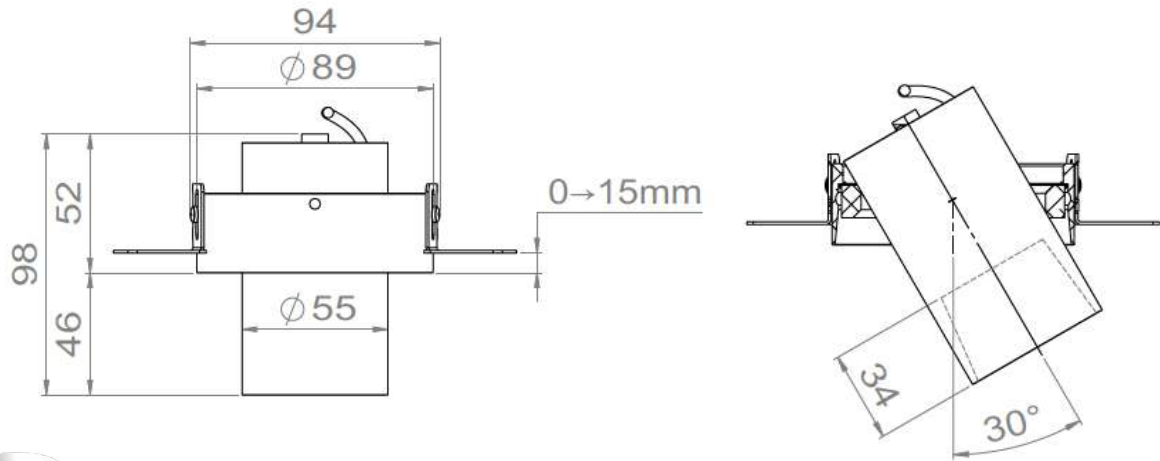
BEST SAS, Capital 200 000€
RCS Dijon B 408 483 485
TVA/VAT n° : FR94 408 483 485
APE 2612Z

Tel. : +33 380 48 65 68
contact@louss.fr
www.louss.fr
Best & LOUSS

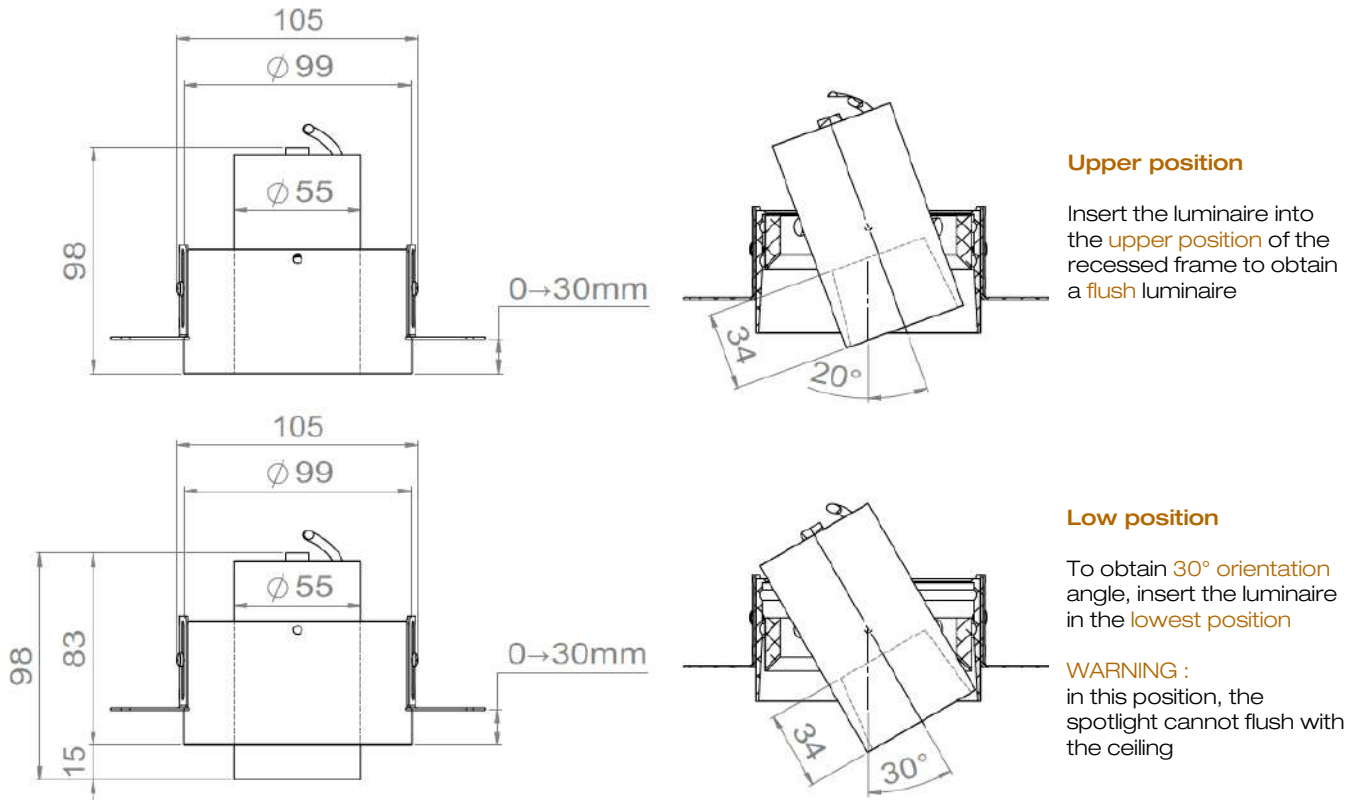
Siège social / Head Office
PA Les Terres d'Or
Route de Saint Philibert
21220 Gevrey Chambertin - FRANCE



AURORE D55 TRIMLESS



AURORE D55 TRIMLESS FLUSH



All the connections have to be made before powering up,
otherwise the luminaires could be seriously damaged

Creation : 2025.02.11 / Last update: 2026.05.06

LOUSS

BEST SAS, Capital 200 000€
RCS Dijon B 408 483 485
TVA/VAT n° : FR94 408 483 485
APE 2612Z

Tel. : +33 380 48 65 68
contact@louss.fr
www.louss.fr
Best & LOUSS

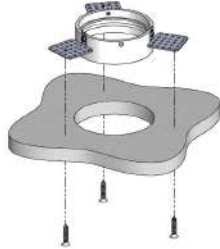
Siège social / Head Office
PA Les Terres d'Or
Route de Saint Philibert
21220 Gevrey Chambertin - FRANCE

5/7

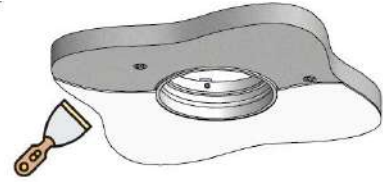


AURORE D55 • Trim • Trim Flush • Trimless • Trimless Flush

Installation from above



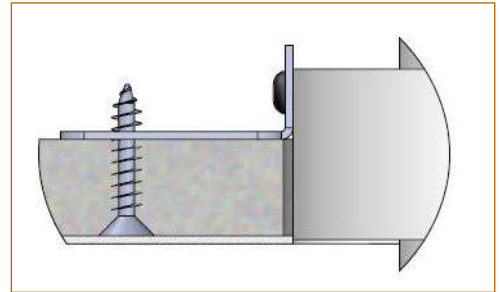
Install the recessed box from above and screw it into the surface



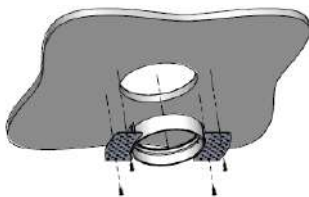
Cover the lateral plates of the recessed box by coating and painting



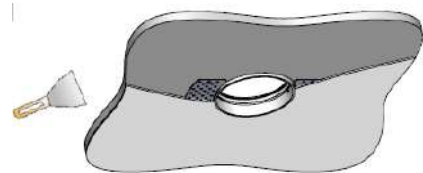
Insert the spotlight from below



Installation from below



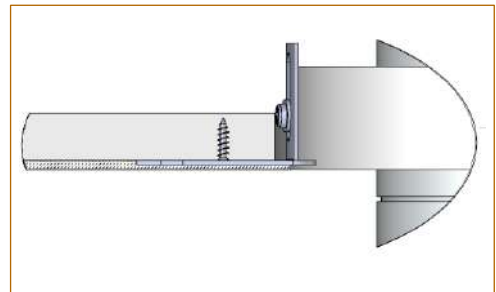
Install the recessed box from below and screw it into the surface



Cover the lateral plates of the recessed box by coating and painting



Insert the spotlight from below



All the connections have to be made before powering up, otherwise the luminaires could be seriously damaged

Creation : 2025.02.11 / Last update: 2026.05.06



AURORE D55 • Trim • Trim Flush • Trimless • Trimless Flush

LOuss **Permuto** easy swap system



All the connections have to be made before powering up, otherwise the luminaires could be seriously damaged

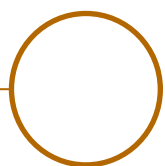
Creation : 2025.02.11 / Last update: 2026.05.06

LOuss

BEST SAS, Capital 200 000€
RCS Dijon B 408 483 485
TVA/VAT n° : FR94 408 483 485
APE 2612Z

Tel. : +33 380 48 65 68
contact@louss.fr
www.louss.fr
Best & LOuss

Siège social / Head Office
PA Les Terres d'Or
Route de Saint Philibert
21220 Gevrey Chambertin - FRANCE



AURORE D55 WALL-MOUNTED



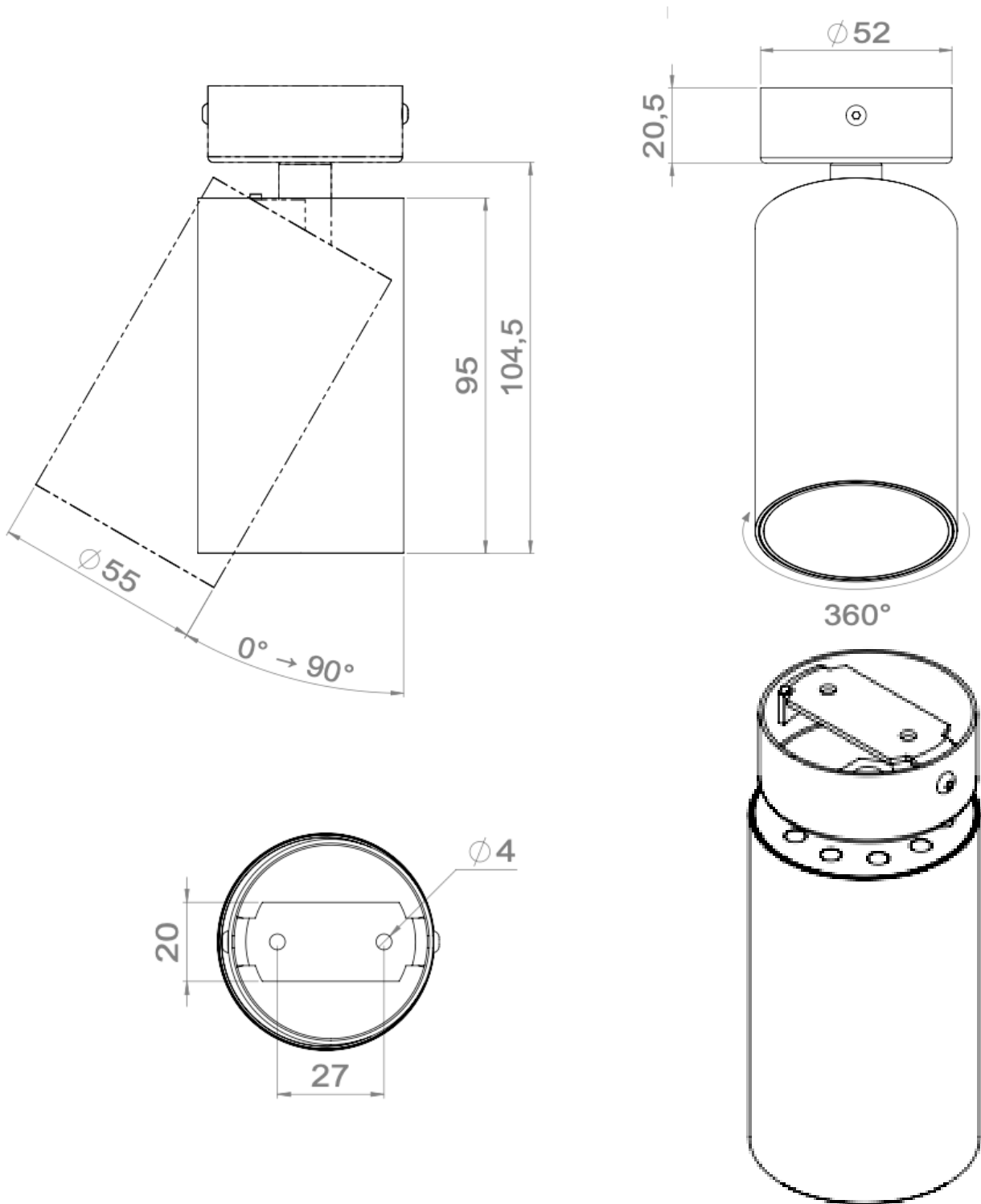
AURORE D55 ROUND WALL-MOUNTED

Range	Highly adjustable luminaires for general & accent lighting
Description	Luminaire equipped with low luminance spotlight Rotation 360° - Adjustable tilt 90° max Easily changeable LED, optics and accessories on-site without any tool, with integrated Permuto Easy Swap system (see page 4)
Finish	Black RAL 9005 matt finish White RAL 9003 matt finish (other upon request)
Dimensions	Spotlight diameter : 55mm Spotlight length : 95mm Wall-mounted box diameter : 52mm
Net weight	0.350kg
LED characteristics	2700K - 3000K - 3500K - 4000K - 5000K (other upon request) MacAdam ellipse : 3 SDCM (standard) - 2 SDCM (premium) CRI90 (standard version) - CRI95, R9 > 80
Optical beams	13° - 18° - 24° - 32° (CRI < 98) 7° (IRC 90) UGR < 15
Accessories	Filters, honeycomb grids upon request
Luminous flux	600 to 2,000 lumen according to version
Connection	Supplied with 0.5m cable Or connectors in the box
Power supply	Remote constant current driver 1400mA max. according to version Dimmable driver upon request For US & Canada, use a UL class 2 driver
Power	6W to 25W according to version
Use limitations	The product must be installed into a ventilated area Any use with an ambient temperature higher than the specified ambient temperature (Ta) would lead to a more rapid mortality of the product and the withdrawal of our guarantees The drivers, if not delivered by LOuss, must be approved before use
Warranty	Life span: L80B10 at 50,000 hours (80% remaining flux) at 25°C ambient temperature. 3-year parts and labour warranty The warranty does not apply to products that have been opened, modified or repaired and does not cover the effects of a wrong connection, careless, abusive handling, overvoltage, lighting injury, as well as the normal wear of the product All products are electrically tested and received a functional burn-in

All the connections have to be made before powering up,
otherwise the luminaires could be seriously damaged



AURORE D55 ROUND WALL-MOUNTED



All the connections have to be made before powering up,
otherwise the luminaires could be seriously damaged



AURORE D55 ROUND WALL-MOUNTED



LOUSS **Permuto** – easy swap system



LED / COB

Optics

Accessories (filters, honeycomb grid)

All the connections have to be made before powering up,
otherwise the luminaires could be seriously damaged

LOUSS

Last update: 2025.06.13

4/4

BEST SAS, Capital 200 000€
RCS Dijon B 408 483 485
TVA/VAT n° : FR94 408 483 485
APE 2612Z

Tel. : +33 380 48 65 68
contact@louss.fr
www.louss.fr
Best & LOUSS

Siège social / Head Office
PA Les Terres d'Or
Route de Saint Philibert
21220 Gevrey Chambertin - FRANCE



**AURORE D55
ON TRACK**



AURORE D55 ON TRACK • 24/48V-S • 24/48V Dali • 230V • 230V Dali

	24/48V-S • DALI 24/48V	230V • DALI 230V
Power supply	Spot adaptator for 24/48V Stucchi Evo System track	<p>230V : Track adapter suitable for Global Trac PRO XTS or similar (ERCO, Trajectoire...)</p> <p>230V DALI : • Track adapter suitable for Global Trac Pulse, STUCCHI, SLV... • Optional : CASAMBI-DALI gateway (see page 6)</p>
Power	6W to 25W according to version	
Electric class	<p>24/48V tracks : class 3</p> <p>230V tracks : class 2</p>	
Use limitations	<p>The product must be installed in a ventilated area</p> <p>Any use with an ambient temperature higher than the specified ambient temperature (Ta) would lead to a more rapid mortality of the product and the withdrawal of our guarantees</p> <p>The drivers, if not delivered by LOuss, must be approved before use</p>	
Warranty	<p>Life span : L80B10 at 50,000 hours (80% remaining flux) at 25°C ambient temperature</p> <p>3-year parts and labour warranty</p> <p>The warranty does not apply to products that have been opened, modified or repaired and does not cover the effects of a wrong connection, careless, abusive handling, overvoltage, lightning injury, as well as the normal wear of the product</p> <p>All products are electrically tested and received a functional burn-in.</p>	

All the connections have to be made before powering up,
otherwise the luminaires could be seriously damaged

LOuss

Last update : 2025.10.30

3/6

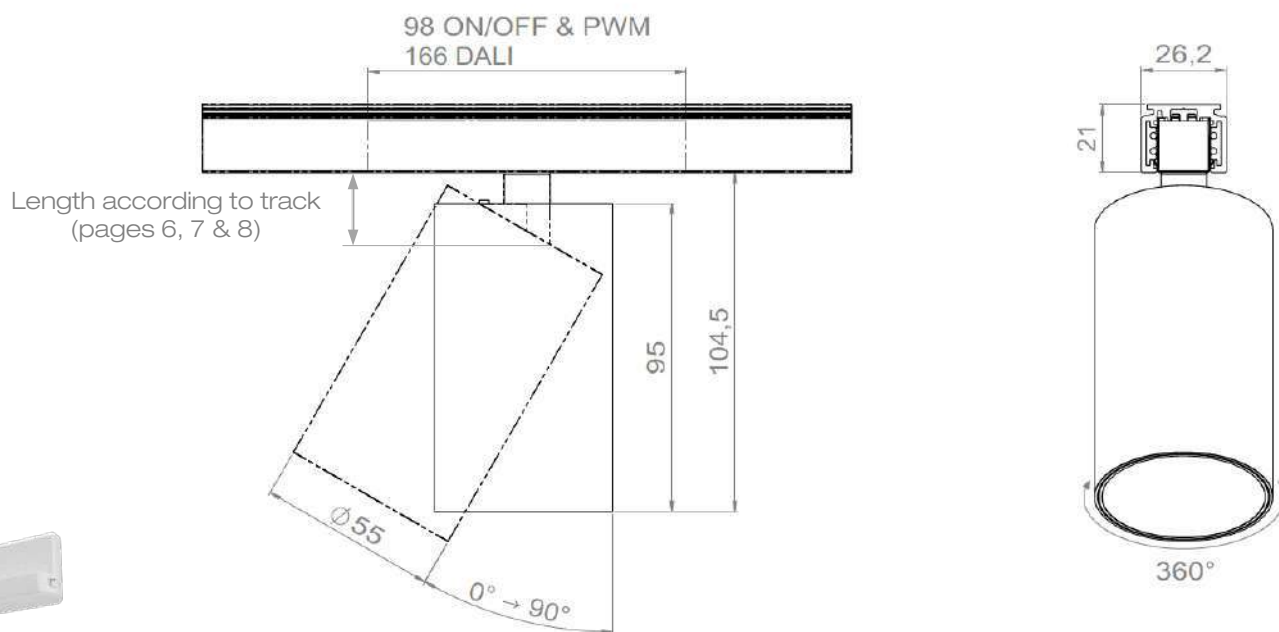
BEST SAS, Capital 200 000€
RCS Dijon B 408 483 485
TVA/VAT n° : FR94 408 483 485
APE 2612Z

Tel. : +33 380 48 65 68
contact@louss.fr
www.louss.fr
Best & LOuss

Siège social / Head Office
PA Les Terres d'Or
Route de Saint Philibert
21220 Gevrey Chambertin - FRANCE

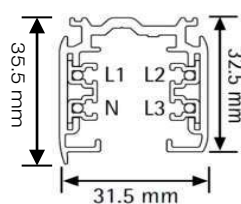


AUORE D55 ON TRACK 24/48V-S • 24/48V DALI

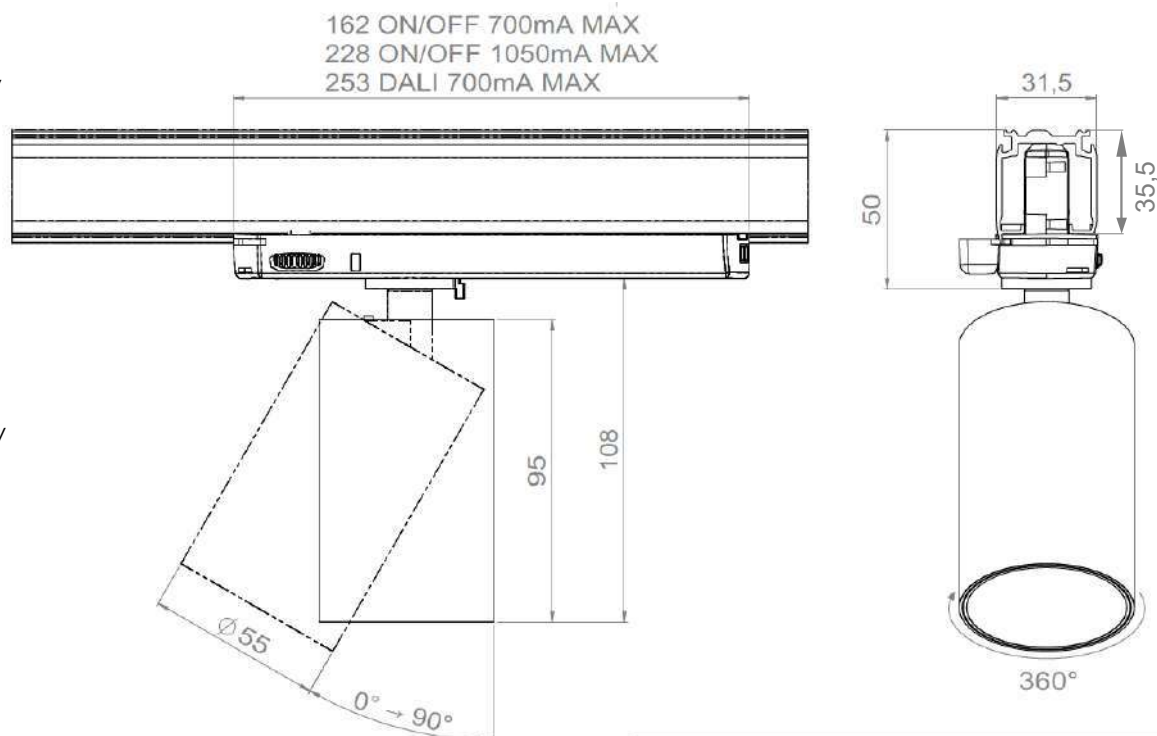
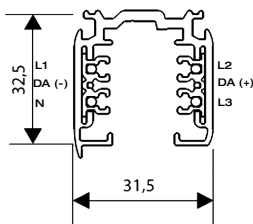


AUORE D55 ON TRACK 230V • 230V DALI

Track Global Trac PRO
Warning: Dimensions may vary
by a few mms from one
manufacturer to another



Track DALI Global Trac pulse
Warning: Dimensions may vary
by a few mms from one
manufacturer to another



All the connections have to be made before powering up,
otherwise the luminaires could be seriously damaged

Louss

Last update : 2025.10.30

4/6

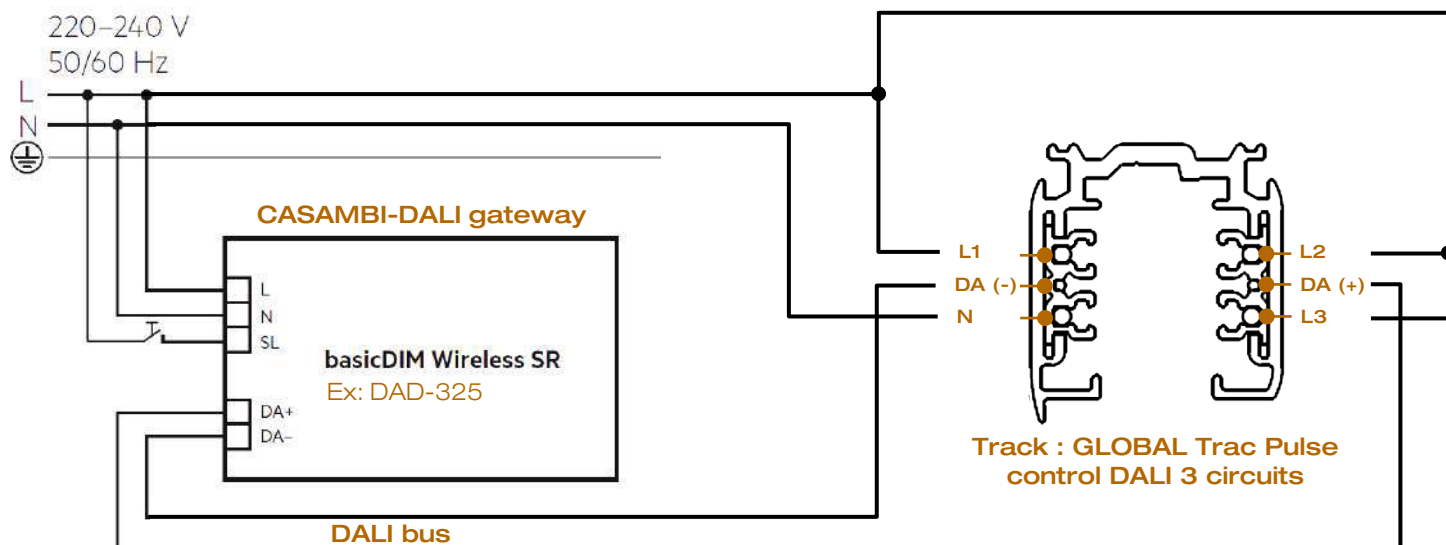
BEST SAS, Capital 200 000€
RCS Dijon B 408 483 485
TVA/VAT n° : FR94 408 483 485
APE 2612Z

Tel. : +33 380 48 65 68
contact@louss.fr
www.louss.fr
Best & LOUSS

Siège social / Head Office
PA Les Terres d'Or
Route de Saint Philibert
21220 Gevrey Chambertin - FRANCE



AUORE D55 230V TRACK CASAMBI-DALI Wiring system



CAUTION : 25 drivers maximum per track

All the connections have to be made before powering up,
otherwise the luminaires could be seriously damaged



AUORE D55 ON TRACK • 24/48V-S • 24/48V Dali • 230V • 230V Dali

LOuss **Permuto** – Easy swap system



LED / COB

Optics

Accessories (filters, honeycomb grid)

Spotlight body

All the connections have to be made before powering up,
otherwise the luminaires could be seriously damaged

LOuss

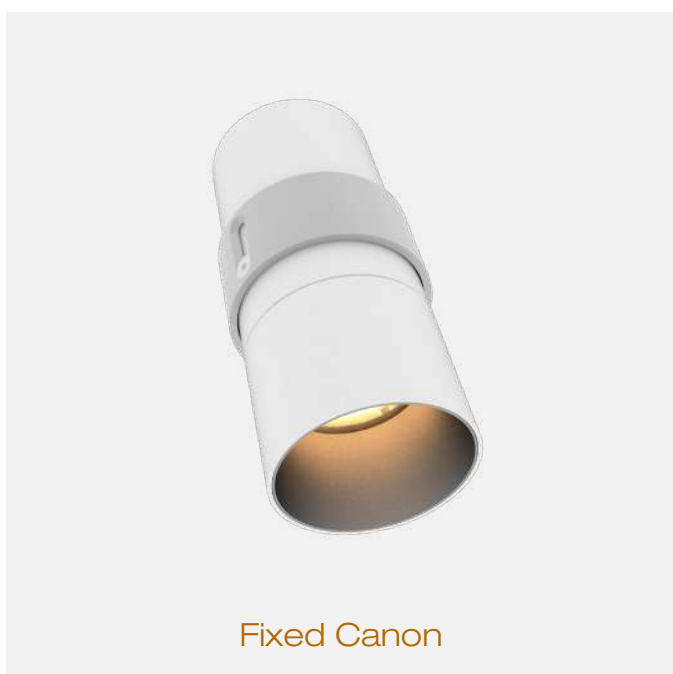
Last update : 2025.10.30

6/6

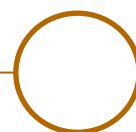
BEST SAS, Capital 200 000€
RCS Dijon B 408 483 485
TVA/VAT n° : FR94 408 483 485
APE 2612Z

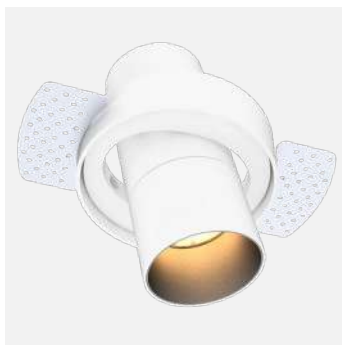
Tel. : +33 380 48 65 68
contact@louss.fr
www.louss.fr
Best & LOuss

Siège social / Head Office
PA Les Terres d'Or
Route de Saint Philibert
21220 Gevrey Chambertin - FRANCE

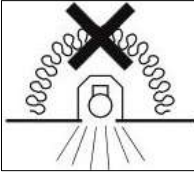


AURORE D60 RECESSED





AURORE D60 • Trim • Trimless • Fixed Canon

<p>Use limitations</p> 	<p>The product must be installed into a ventilated area</p> <p>This product must not be covered with insulating material</p> <p>Any use with an ambient temperature higher than the specified ambient temperature (T_a) would lead to a more rapid mortality of the product and the withdrawal of our guarantees</p> <p>The drivers, if not delivered by LOuss, must be approved before use</p>
<p>Warranty</p>	<p>Life span : L80B10 at 50,000 hours (80% remaining flux) at 25°C ambient temperature</p> <p>3-year parts and labor warranty</p> <p>The warranty does not apply to products that have been opened, modified or repaired and does not cover the effects of a wrong connection, careless, abusive handling, overvoltage, lightning injury, as well as the normal wear of the product</p> <p>All products are electrically tested and received a functional burn-in</p>

All the connections have to be made before powering up,
otherwise the luminaires could be seriously damaged

Creation : 2020.10.06 / Last update: 2026.05.06

3/6

LOuss

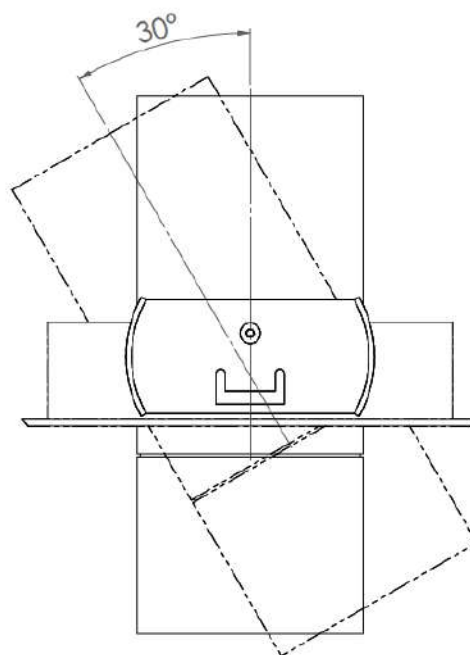
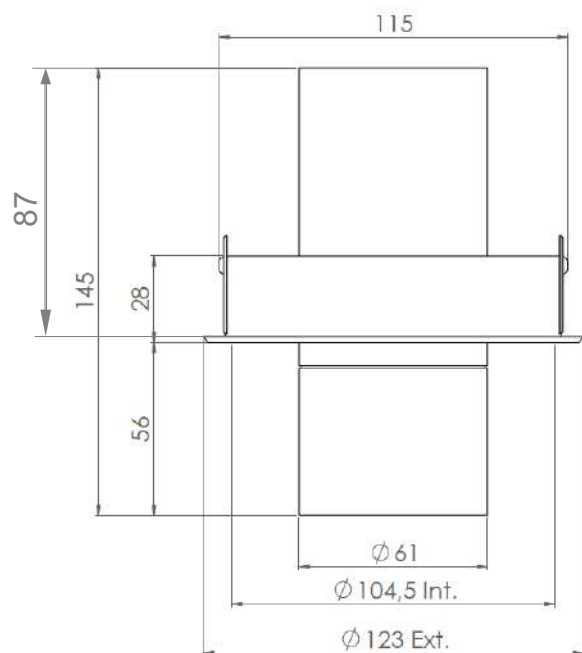
BEST SAS, Capital 200 000€
RCS Dijon B 408 483 485
TVA/VAT n° : FR94 408 483 485
APE 2612Z

Tel. : +33 380 48 65 68
contact@louss.fr
www.louss.fr
Best & LOuss

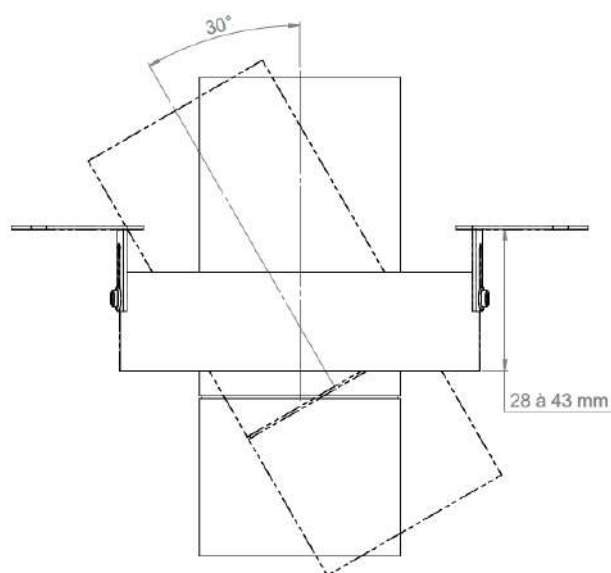
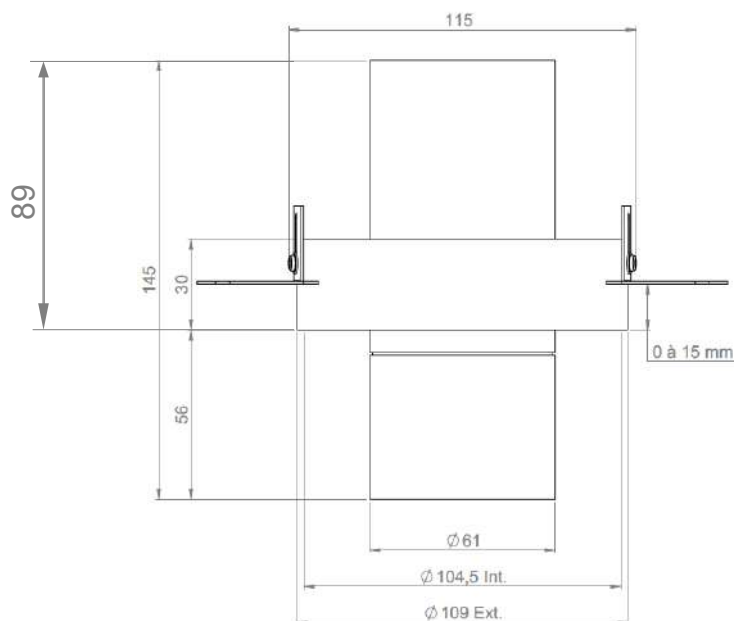
Siège social / Head Office
PA Les Terres d'Or
Route de Saint Philibert
21220 Gevrey Chambertin - FRANCE



AURORE D60 TRIM



AURORE D60 TRIMLESS



All the connections have to be made before powering up,
otherwise the luminaires could be seriously damaged

LOUSS

Creation : 2020.10.06 / Last update: 2026.05.06

4/6

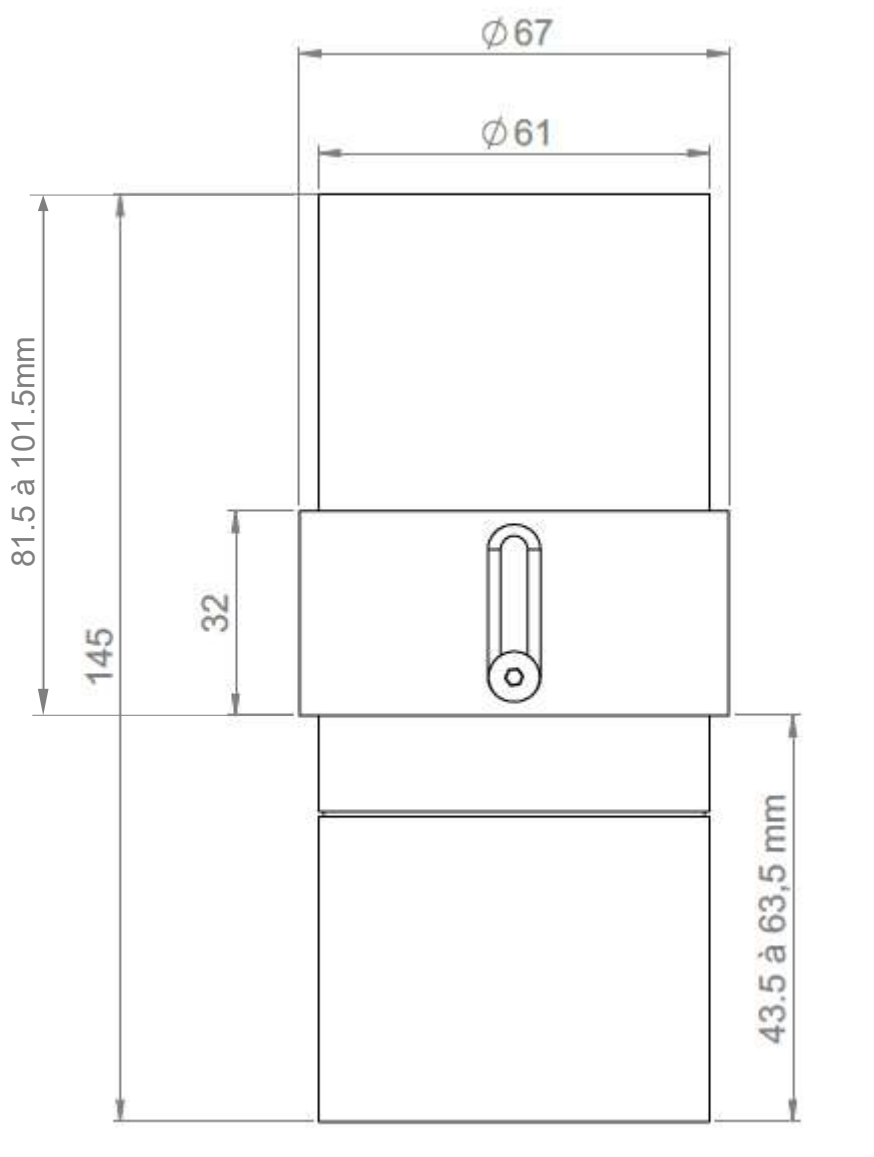
BEST SAS, Capital 200 000€
RCS Dijon B 408 483 485
TVA/VAT n° : FR94 408 483 485
APE 2612Z

Tel. : +33 380 48 65 68
contact@louss.fr
www.louss.fr
Best & LOUSS

Siège social / Head Office
PA Les Terres d'Or
Route de Saint Philibert
21220 Gevrey Chambertin - FRANCE



AURORE D60 FIXED CANON



All the connections have to be made before powering up,
otherwise the luminaires could be seriously damaged

Creation : 2020.10.06 / Last update: 2026.05.06

5/6

LOUSS

BEST SAS, Capital 200 000€
RCS Dijon B 408 483 485
TVA/VAT n° : FR94 408 483 485
APE 2612Z

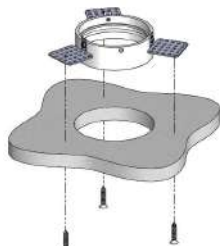
Tel. : +33 380 48 65 68
contact@louss.fr
www.louss.fr
Best & LOUSS

Siège social / Head Office
PA Les Terres d'Or
Route de Saint Philibert
21220 Gevrey Chambertin - FRANCE

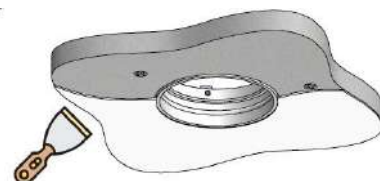


AURORE D60 • Trim • Trimless • Fixed Canon

Installation from above



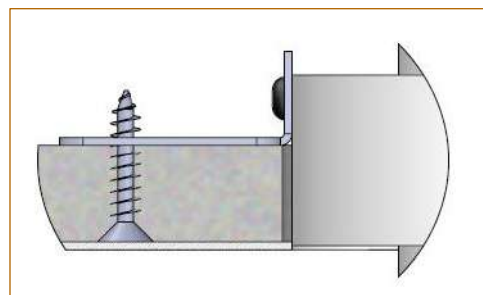
Install the recessed box from above and screw it into the surface



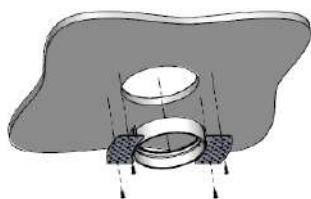
Cover the lateral plates of the recessed box by coating and painting



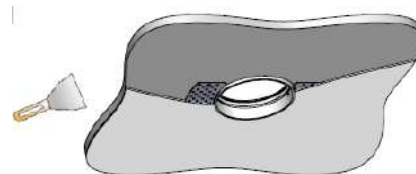
Insert the spotlight from below



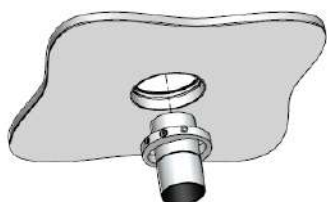
Installation from below



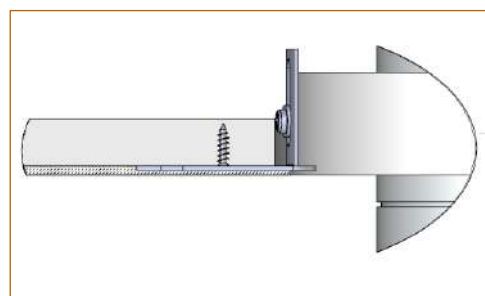
Install the recessed box from below and screw it into the surface



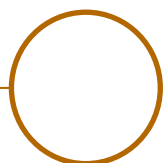
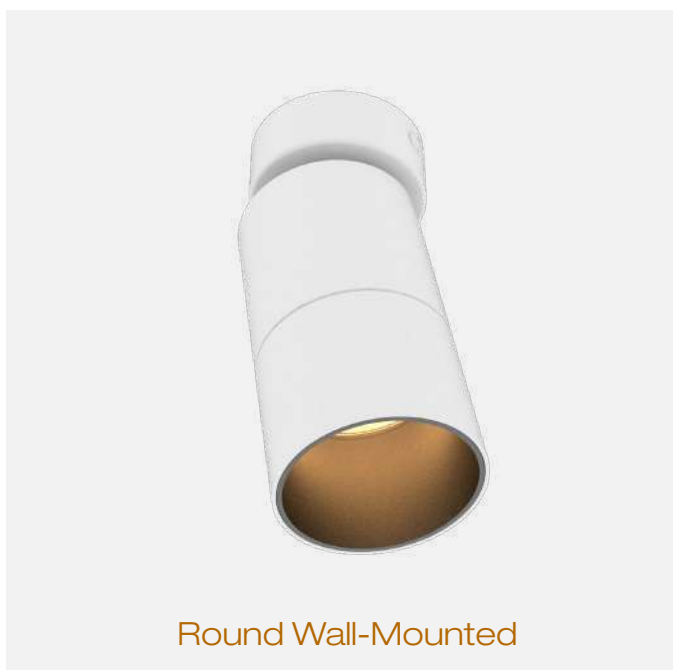
Cover the lateral plates of the recessed box by coating and painting



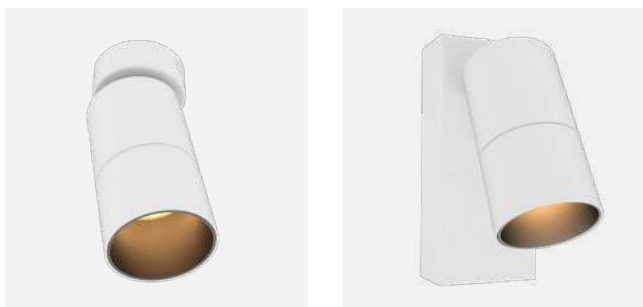
Insert the spotlight from below



All the connections have to be made before powering up, otherwise the luminaires could be seriously damaged



AURORE D60 WALL-MOUNTED



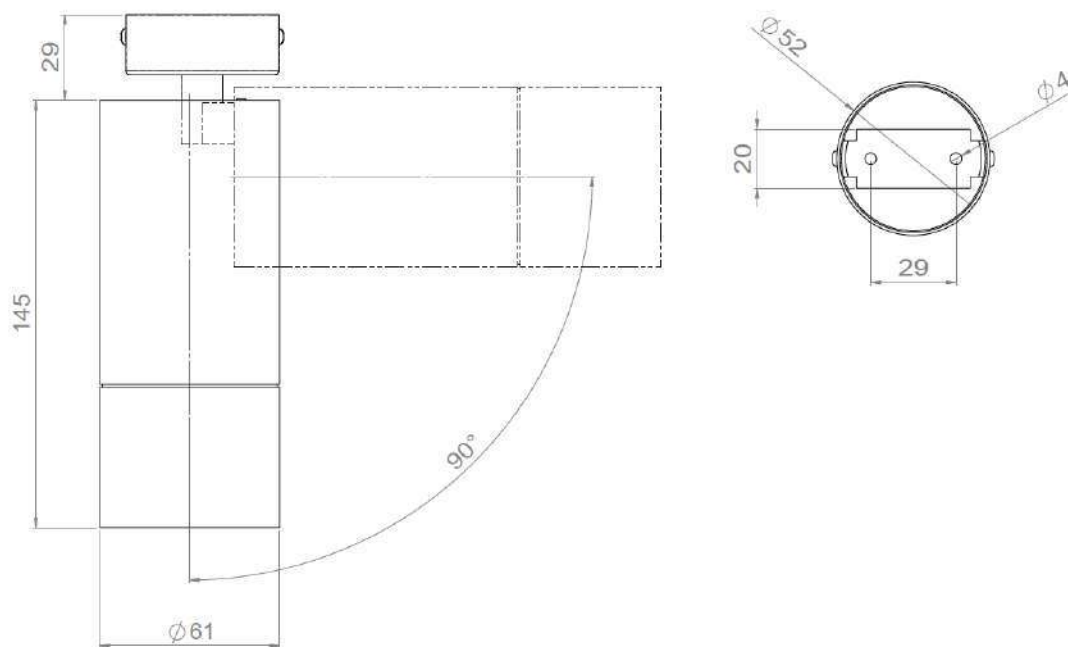
AURORE D60 • Round Wall-Mounted • Rectangular Wall-Mounted

Range	Highly adjustable luminaires for general & accent lighting	
Description	Low luminance Rotation 360° - Adjustable tilt 90°	
Finish	White RAL 9003 matt finish Black RAL 9005 matt finish (other upon request)	
Dimensions	Round Wall-Mounted	Rectangular Wall-Mounted
	Spotlight diameter : 52mm Spotlight length : 145mm Box diameter : 52mm	Spotlight diameter : 52mm Spotlight length : 140 mm Box dimensions : 142.5x61mm
Net weight	0.3kg	0.8kg
LED characteristics	2700K – 3000K – 3500K - 4000K – 5000K (other upon request) MacAdam ellipse : 3 SDCM (standard) – 2 SDCM (premium) CRI 90 (standard) – CRI 95, R9 > 90 (premium)	
Optical beams	7° - 12° - 15° - 25° - 30° - 40° - Asymetrical – Elliptical UGR < 15	
Accessoires	Filters, honeycomb grid upon request	
Luminous flux	600 to 2,000 lumen according to version	
Connection	Delivered with 0.5m cable or connectors in the round or rectangular box	
Separated Power supply	Remote constant current driver 1400mA max. according to version Dimmable driver upon request	
Integrated Power supply	Rectangular wall-mounted : driver 700mA max. integrated in the box	
Power	6W to 25W according to version	
Use limitations	The product must be installed into a ventilated area Any use with an ambient temperature higher than the specified ambient temperature (Ta) would lead to a more rapid mortality of the product and the withdrawal of our guarantees The drivers, if not delivered by LOuss, must be approved before use	
Warranty	Life span: L80B10 at 50,000 hours (80% remaining flux) at 25°C ambient temperature. 3-year parts and labour warranty The warranty does not apply to products that have been opened, modified or repaired and does not cover the effects of a wrong connection, careless, abusive handling, overvoltage, lighting injury, as well as the normal wear of the product All products are electrically tested and received a functional burn-in	

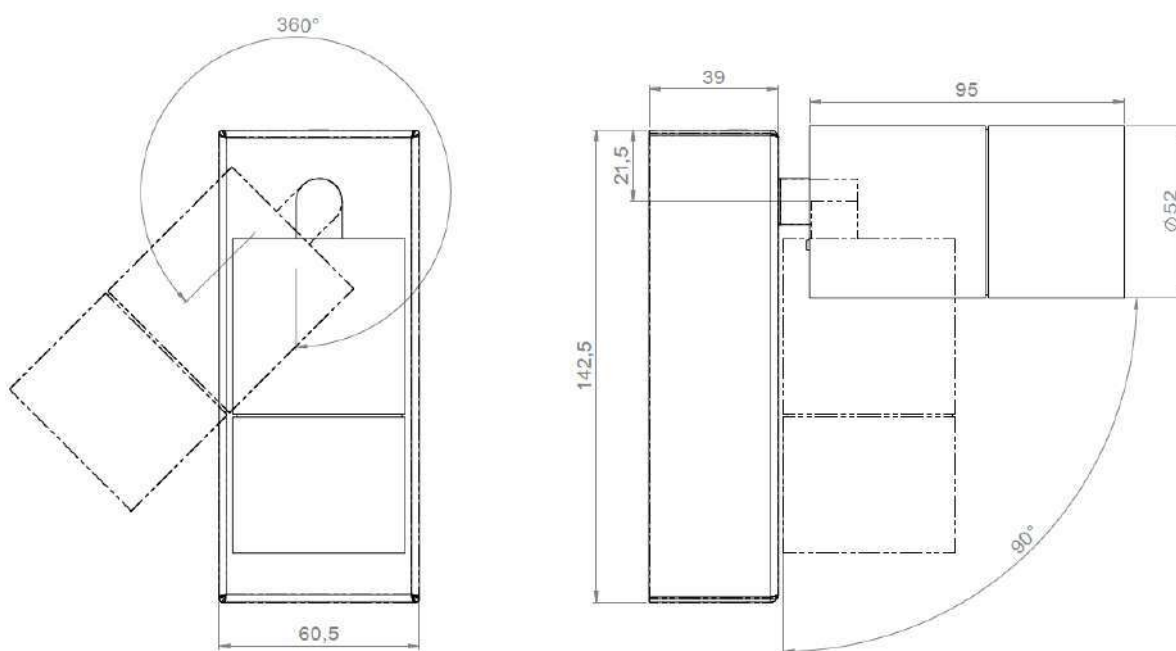
All the connections have to be made before powering up,
otherwise the luminaires could be seriously damaged



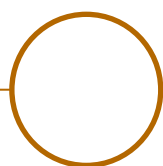
AURORE D60 ROUND WALL-MOUNTED



AURORE D60 RECTANGULAR WALL-MOUNTED

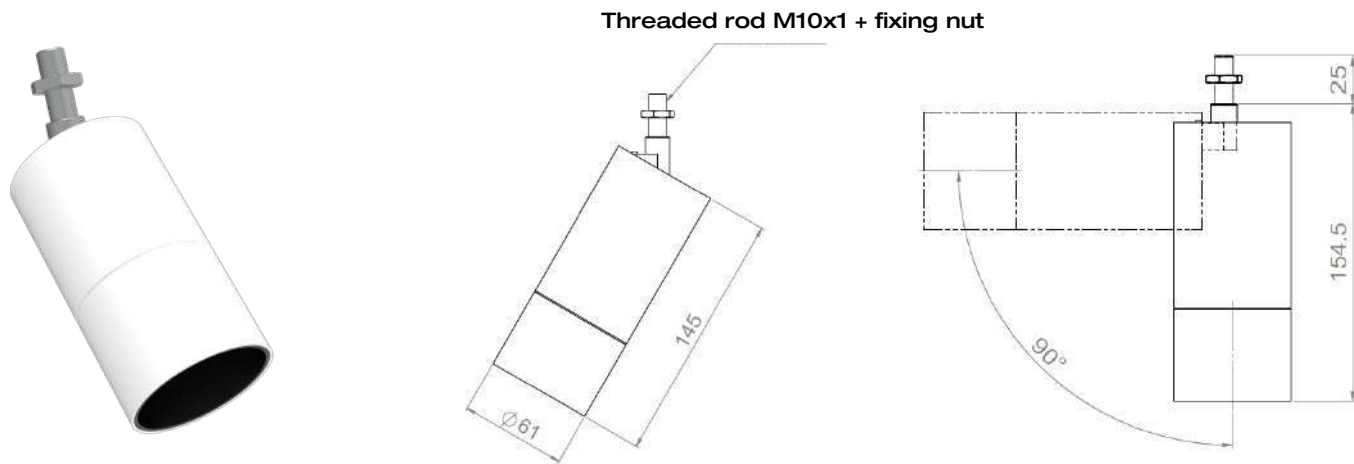


All the connections have to be made before powering up,
otherwise the luminaires could be seriously damaged



AURORE D60 PIVOT





AURORE D60 PIVOT

Range	Highly adjustable luminaire for general & accent lighting
Description	Luminaire equipped with low luminance spotlight Rotation 360° - Adjustable tilt 90° max
Finish	White RAL 9003 matt finish Black RAL 9005 matt finish (other upon request)
Dimensions	Spotlight diameter : 61mm Spotlight length : 145mm
Net Weight	0.5kg
LED characteristics	2700K – 3000K – 4000K – 5000K (other upon request) MacAdam ellipse: 3 SDCM (standard) – 2 SDCM (premium) CRI 90 (standard) – CRI 95, R9 > 90 (premium)
Optical beams	7° - 12° - 15° - 25° - 30° - 40° - Elliptical
Accessories	Filters, honeycomb grid
Installation	Fixation with threaded rod M10x1 + fixing nut
Connection	Supplied with 0.5m cable
Power supply	Remote constant current driver 1400mA max. according to version Dimmable driver upon request For US & Canada, use a UL class 2 driver
Power	6W to 25W according to version
Use limitations	The product must be installed into a ventilated area Any use with an ambient temperature higher than the specified ambient temperature (Ta) would lead to a more rapid mortality of the product and the withdrawal of our guarantees The drivers, if not delivered by LOuss, must be approved before use
Warranty	Life span: L80B10 at 50,000 hours (80% remaining flux) at 25°C ambient temperature. 3-year parts and labour warranty The warranty does not apply to products that have been opened, modified or repaired and does not cover the effects of a wrong connection, careless, abusive handling, overvoltage, lighting injury, as well as the normal wear of the product All products are electrically tested and received a functional burn-in

All the connections have to be made before powering up,
otherwise the luminaires could be seriously damaged




AURORE D60 ON TRACK

**AURORE D60**• **230V TRACK**• **230V DALI TRACK**

Range	Highly flexible spotlight on track for general & accent lighting	
Description	Low luminance Rotation 360° - Adjustable tilt 90°	
Finish	White RAL 9003 matt finish Black RAL 9005 matt finish (other upon request)	
Dimensions	230V	230V DALI
	Spotlight diameter : 61mm Spotlight length : 145mm Driver length : 162mm Track dimensions : 31.5 x 32.5mm	Spotlight diameter : 61mm Spotlight length : 145mm Driver length : 228mm Track dimensions : 31.5 x 32.5mm
Net weight	± 0.5 kg according to version	
LED characteristics	2700K - 3000K - 3500K - 4000K - 5000K (other upon request) MacAdam ellipse : 3 SDCM (standard) 2 SDCM (premium) CRI 90 (standard version) - CRI 95, R9 > 90 (premium version)	
Optical beams	7° - 12° - 15° - 20° - 25° - 30° - 35° - Elliptical UGR < 15	
Accessories	Filters, honeycomb grid upon request	
Luminous flux	600 to 2,000 lumen according to version	
Power supply	230V	230V DALI
	Track adapter suitable for Global Trac PRO XTS or similar (ERCO, Trajectoire...)	Track adapter suitable for Global Trac Pulse, STUCCHI, SLV... Optional : CASAMBI-DALI gateway (see page 4)
Power	6W to 25W according to version	
Use limitations	The product must be installed in a ventilated area Any use with an ambient temperature higher than the specified ambient temperature (Ta) would lead to a more rapid mortality of the product and the withdrawal of our guarantees The drivers, if not delivered by LOuss, must be approved before use	
Warranty	Life span : L80B10 at 50,000 hours (80% remaining flux) at 25°C ambient temperature 3-year parts and labour warranty The warranty does not apply to products that have been opened, modified or repaired and does not cover the effects of a wrong connection, careless, abusive handling, overvoltage, lightning injury, as well as the normal wear of the product All products are electrically tested and received a functional burn-in	

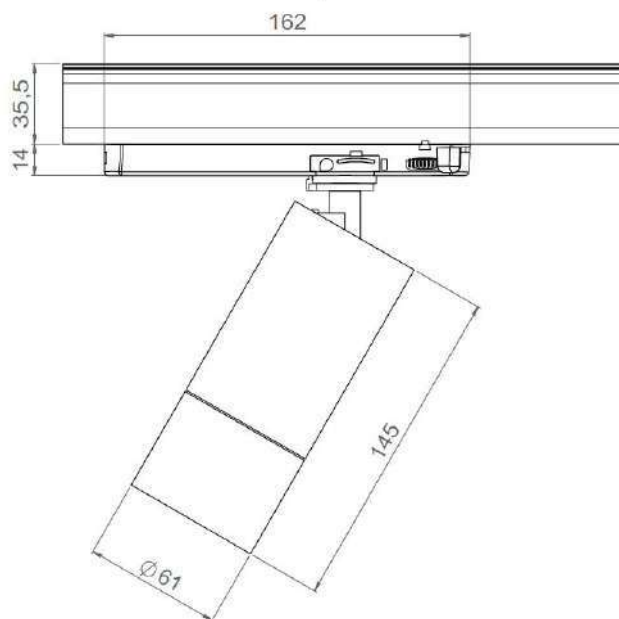
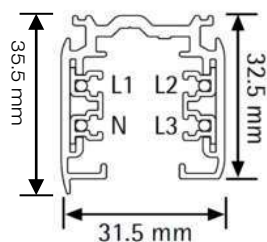
All the connections have to be made before powering up,
otherwise the luminaires could be seriously damaged



AURORE D60 ON TRACK 230V

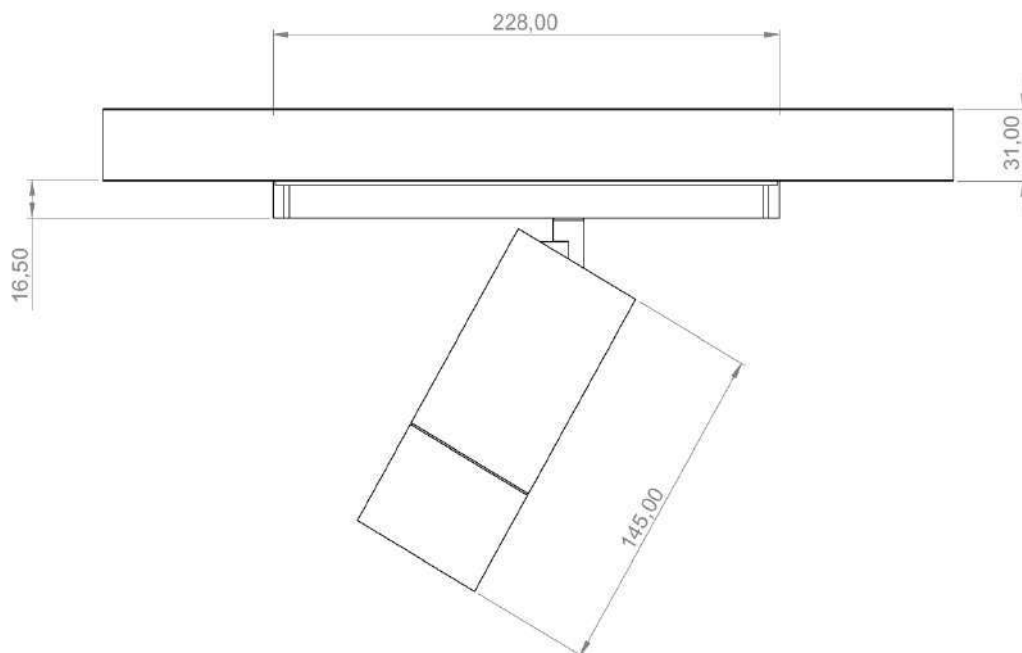
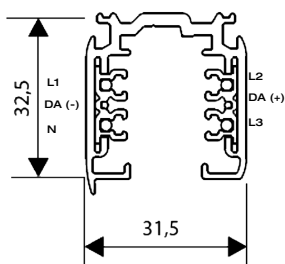
Global Trac PRO 3-circuits track

Warning: Dimensions may vary by a few mms from one manufacturer to another



AURORE D60 ON TRACK 230V DALI

Track DALI Global Trac pulse
Warning: Dimensions may vary by a few mms from one manufacturer to another



All the connections have to be made before powering up,
otherwise the luminaires could be seriously damaged

LOUSS

Last update : 2025.09.25

3/4

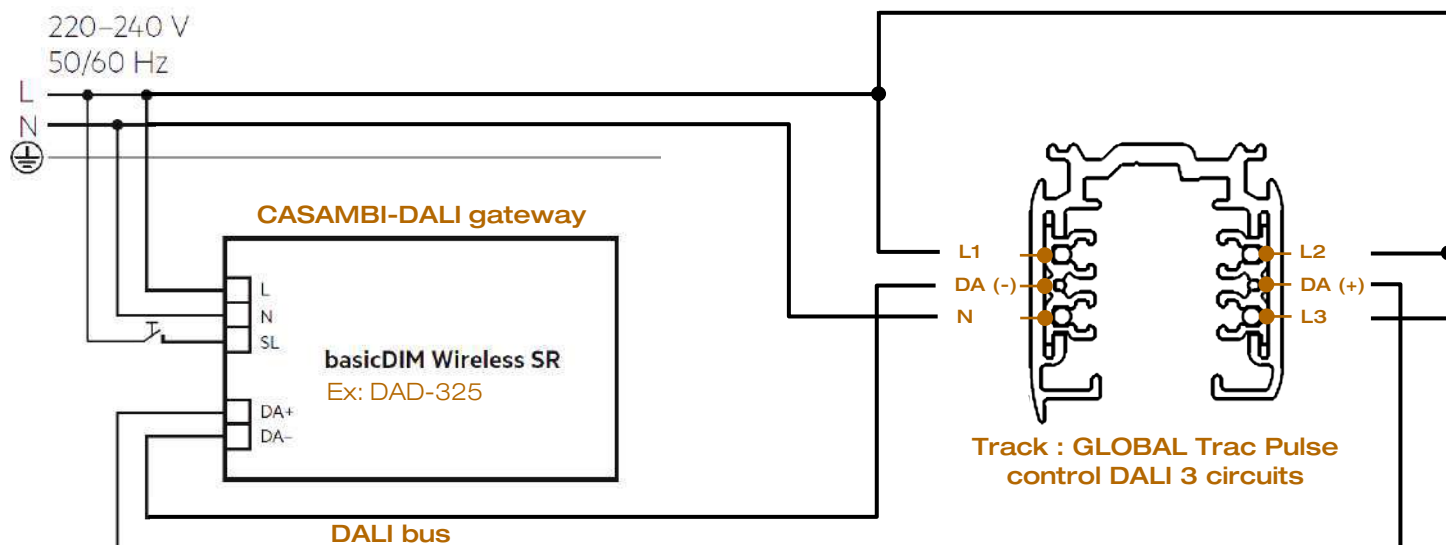
BEST SAS, Capital 200 000€
RCS Dijon B 408 483 485
TVA/VAT n° : FR94 408 483 485
APE 2612Z

Tel. : +33 380 48 65 68
contact@louss.fr
www.louss.fr
Best & LOUSS

Siège social / Head Office
PA Les Terres d'Or
Route de Saint Philibert
21220 Gevrey Chambertin - FRANCE



AURORE D60 230V TRACK CASAMBI-DALI Wiring system



CAUTION : 25 drivers maximum per track

All the connections have to be made before powering up,
otherwise the luminaires could be seriously damaged

Last update : 2025.09.25

LOUSS

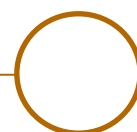
BEST SAS, Capital 200 000€
RCS Dijon B 408 483 485
TVA/VAT n° : FR94 408 483 485
APE 2612Z

Tel. : +33 380 48 65 68
contact@louss.fr
www.louss.fr
Best & LOUSS

Siège social / Head Office
PA Les Terres d'Or
Route de Saint Philibert
21220 Gevrey Chambertin - FRANCE



AURORE D75 RECESSED





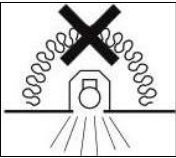
AURORE D75 • Trimless • Trimless Wall-Washer • Trimless Flush

Range	Highly adjustable recessed ceiling downlight for general & accent lighting		
Description	Low luminance Rotation 360° Trimless : Adjustable tilt 30° Trimless Wall-Washer : Adjustable tilt 35° Trimless Flush : Adjustable tilt 20°		
Finish	White RAL 9003 matt finish Black RAL 9005 matt finish (other upon request)		
Dimensions	Trimless	Trimless Wall Washer	Trimless Flush
	Spotlight diameter → 75mm	Spotlight diameter → 75mm	Spotlight diameter → 75mm
	Recessed frame diameter → 118mm	Recessed frame diameter → 118mm	Recessed frame diameter → 135mm
	Installation diameter → 118mm	Installation diameter → 118mm	Installation diameter → 135mm
	Installation depth → 46mm	Installation depth → 46mm	Installation depth → 100mm
Net weight	0.5 kg		
LED characteristics	2700K – 3000K – 3500K - 4000K (other upon request) CRI 90 R9 >50 CRI 95 R9 >80 CRI 97 R9 >90		
Optical beams	6° - 12° - 15° -20° - 25° - 30° - 35° - 40° - 60° - Elliptical UGR < 15		
Accessories	Filters, honeycomb grids upon request		
Luminous flux	600 to 2,000 lumen according to version		
Connection	Supplied with 0.5m cable		
Power supply	700mA max. external constant current driver according to version Dimmable driver upon request		
Power	6W to 25W according to version		

All the connections have to be made before powering up,
otherwise the luminaires could be seriously damaged



AURORE D75 • Trimless • Trimless Wall-Washer • Trimless Flush

<p>Use limitations</p> 	<p>The product must be installed into a ventilated area</p> <p>This product must not be covered with insulating material</p> <p>Any use with an ambient temperature higher than the specified ambient temperature (T_a) would lead to a more rapid mortality of the product and the withdrawal of our guarantees</p> <p>The drivers, if not delivered by LOuss, must be approved before use</p>
<p>Warranty</p>	<p>Life span: L80-B10 = 35,000 hours (80% remaining flux) at 25°C ambient temperature</p> <p>The warranty applies to components and fabrication supplied by Louss</p> <p>The warranty does not apply to products that have been opened, modified or repaired and does not cover the effects of a wrong connection, careless, abusive handling, overvoltage, lighting injury, as well as the normal wear of the product</p> <p>All products are electrically tested and receive a functional burn-in</p>

All the connections have to be made before powering up,
otherwise the luminaires could be seriously damaged

Creation : 2020.09.28 / Last update: 2026.05.06

3/6

LOuss

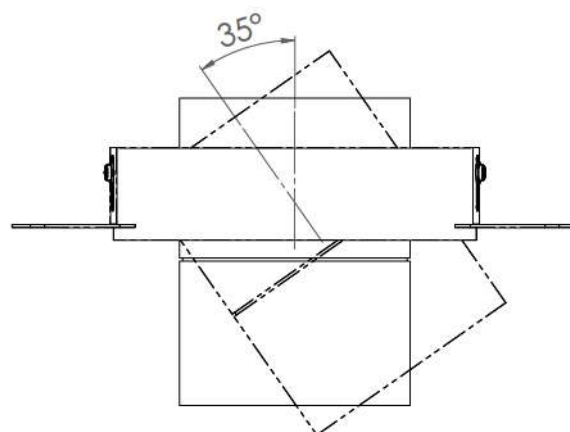
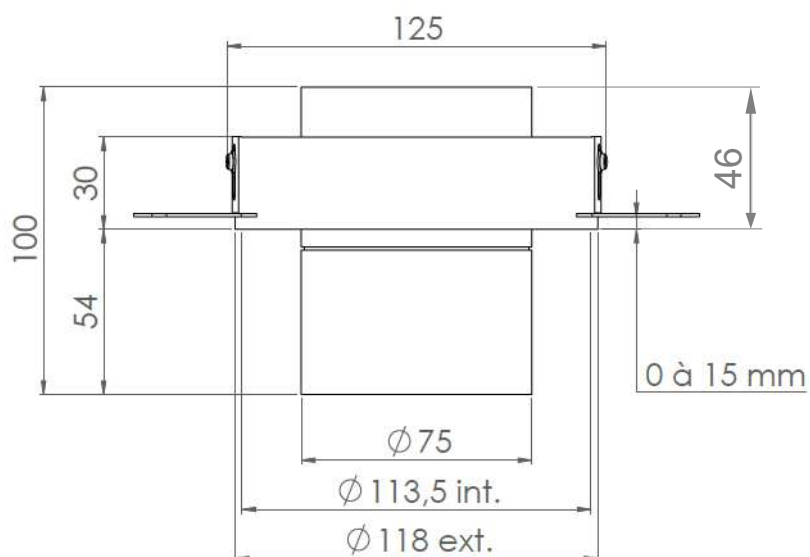
BEST SAS, Capital 200 000€
RCS Dijon B 408 483 485
TVA/VAT n° : FR94 408 483 485
APE 2612Z

Tel. : +33 380 48 65 68
contact@louss.fr
www.louss.fr
Best & LOuss

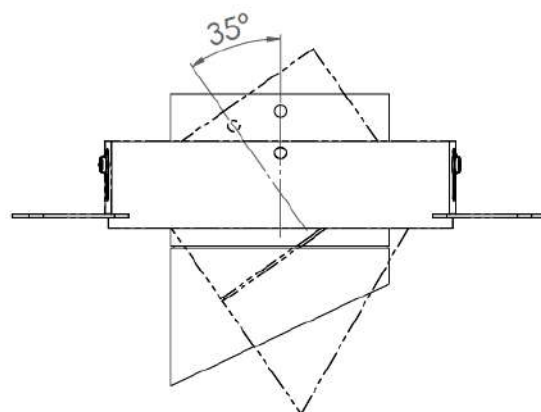
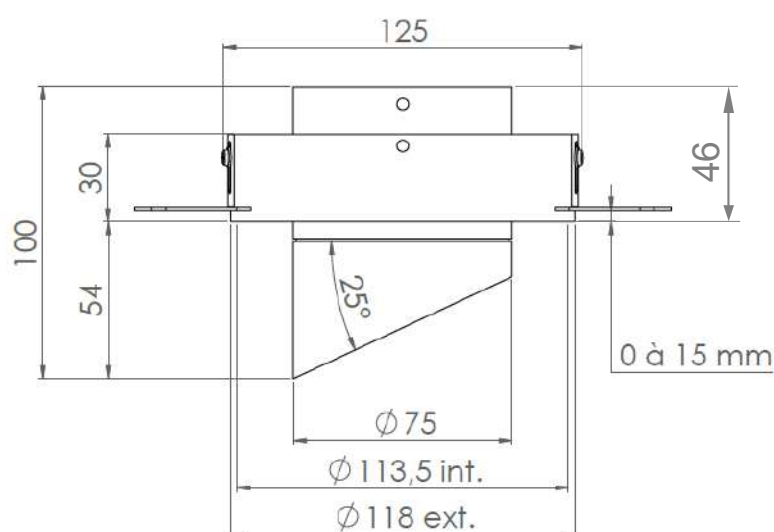
Siège social / Head Office
PA Les Terres d'Or
Route de Saint Philibert
21220 Gevrey Chambertin - FRANCE



AURORE D75 TRIMLESS



AURORE D75 TRIMLESS WALL WASHER



All the connections have to be made before powering up,
otherwise the luminaires could be seriously damaged

Creation : 2020.09.28 / Last update: 2026.05.06

LOUSS

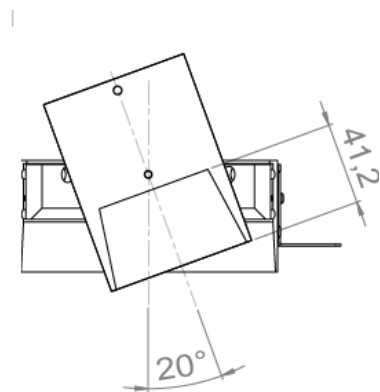
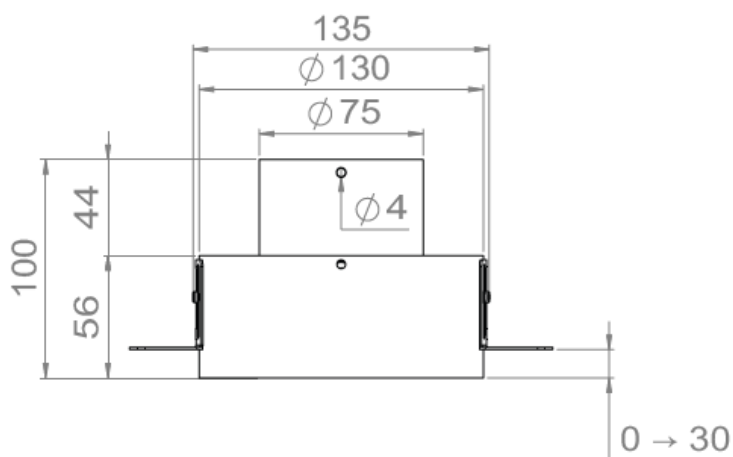
BEST SAS, Capital 200 000€
RCS Dijon B 408 483 485
TVA/VAT n° : FR94 408 483 485
APE 2612Z

Tel. : +33 380 48 65 68
contact@louss.fr
www.louss.fr
Best & LOUSS

Siège social / Head Office
PA Les Terres d'Or
Route de Saint Philibert
21220 Gevrey Chambertin - FRANCE

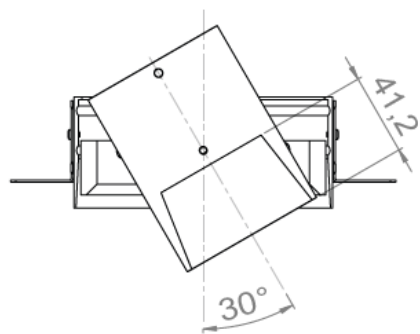
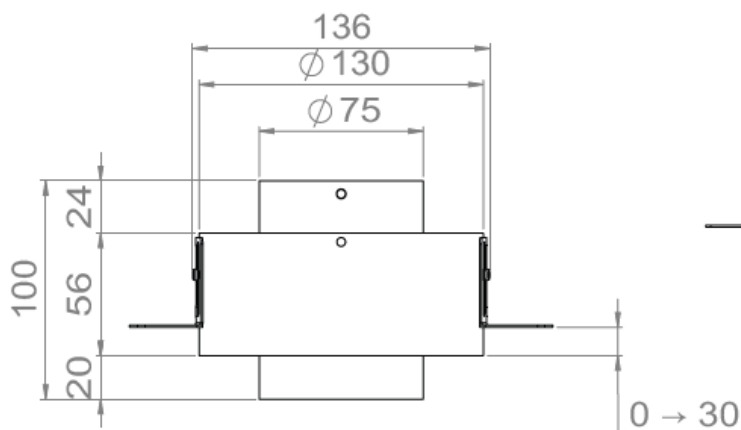


AURORE D75 TRIMLESS FLUSH



Upper position

Insert the luminaire into the upper position of the recessed frame to obtain a flush luminaire



Low position

To obtain 30° orientation angle, insert the luminaire in the lowest position

WARNING :
in this position, the spotlight cannot flush with the ceiling

All the connections have to be made before powering up,
otherwise the luminaires could be seriously damaged

Creation : 2020.09.28 / Last update: 2026.05.06

5/6

LOUSS

BEST SAS, Capital 200 000€
RCS Dijon B 408 483 485
TVA/VAT n° : FR94 408 483 485
APE 2612Z

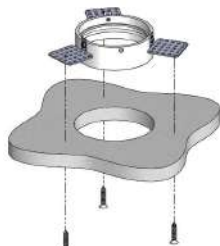
Tel. : +33 380 48 65 68
contact@louss.fr
www.louss.fr
Best & LOUSS

Siège social / Head Office
PA Les Terres d'Or
Route de Saint Philibert
21220 Gevrey Chambertin - FRANCE

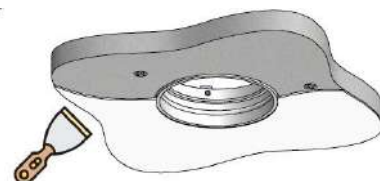


AURORE D75 • Trimless • Trimless Wall-Washer • Trimless Flush

Installation from above



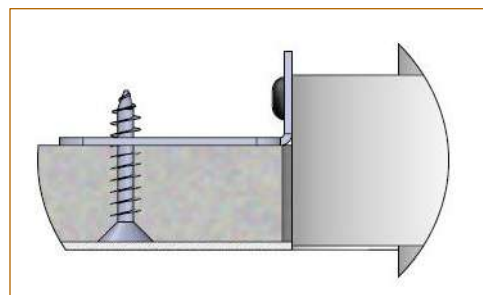
Install the recessed box from above and screw it into the surface



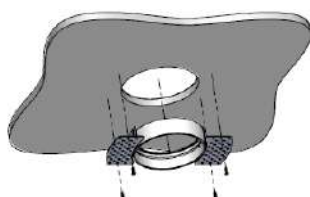
Cover the lateral plates of the recessed box by coating and painting



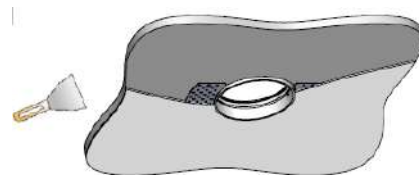
Insert the spotlight from below



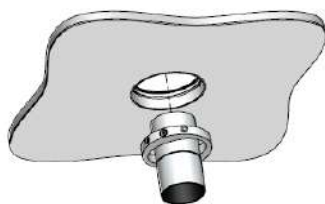
Installation from below



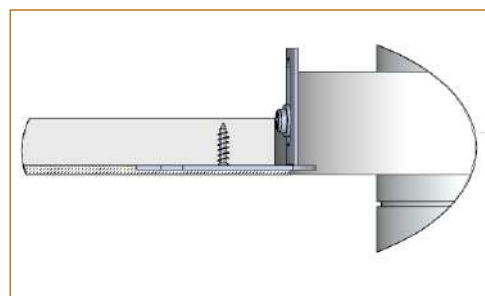
Install the recessed box from below and screw it into the surface



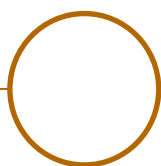
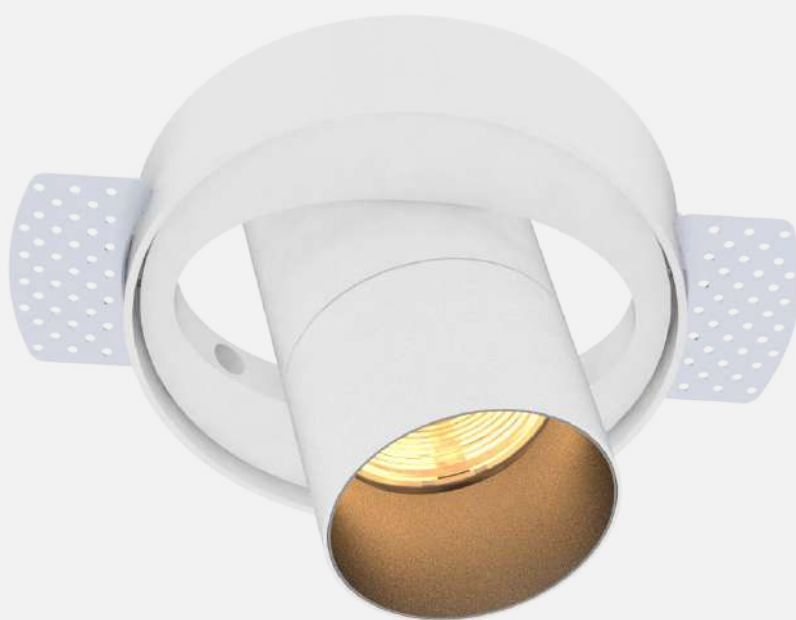
Cover the lateral plates of the recessed box by coating and painting



Insert the spotlight from below



All the connections have to be made before powering up, otherwise the luminaires could be seriously damaged



AURORE D82 RECESSED



AURORE D82 TRIMLESS

Range	Highly flexible recessed ceiling downlight for general & accent cardanic lighting		
Description	Low luminance Monochrome, Trio or Tunable White Rotation 360° - Adjustable tilt 45°		
Finish	White RAL 9003 matt finish Black RAL 9005 matt finish (other upon request)		
Dimensions	Spotlight diameter : 81mm Installation diameter : 158.5mm Installation depth : 68.5mm		
Net Weight	0.9Kg		
LED characteristics	Monochrome version	Trio version	Tunable White version
	2700K - 3000K - 4000K - 3500K - 5000K (other upon request)	2700K + 4000K + 6500K (not tunable)	2700K + 4000K + 6500K
	MacAdam ellipse: 3 SDCM (standard) 2 SDCM (premium) CRI 90 (standard) - CRI 95, R9>90 (premium)		
Optical beams	Monochrome & version	Tunable White & Trio versions	
	12° - 15° - 25° - 30° - 40° - Elliptical	8° - 20° - 30° UGR < 15	
Accessories	Filters, honeycomb grid upon request		
Luminous flux	Monochrome version	Tunable White & Trio versions	
	1,500 to 2,500 lumen according to version	2,300 to 2,600 lumen according to version	
Connection	Monochrome & Trio versions	Tunable White version	
	Delivered with 0.5m cable	Supplied with 0.5m cable with 6 conductors Daisy chain version : 2 input-output cables for serial cabling	
Power supply	Monochrome & Trio versions	Tunable White version	
	Remote constant current driver 700mA max. according to version Dimmable driver upon request	Remote constant current DMX driver 700mA max. (1A possible with driver flanged at 30W max)	
Power	Monochrome version	Tunable White & Trio versions	
	15W to 25W driver included	30W max. driver included	

All the connections have to be made before powering up, otherwise the luminaires could be seriously damaged.

Creation : 2020.01.17 / Last update : 2026.05.06

2/6

Louss

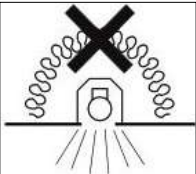
BEST SAS, Capital 200 000€
RCS Dijon B 408 483 485
TVA/VAT n° : FR94 408 483 485
APE 2612Z

Tel. : +33 380 48 65 68
contact@louss.fr
www.louss.fr
Best & LOUSS

Siège social / Head Office
PA Les Terres d'Or
Route de Saint Philibert
21220 Gevrey Chambertin - FRANCE



AURORE D82 TRIMLESS

<p>Use limitations</p> 	<p>The product must be installed into a ventilated area</p> <p>This product must not be covered with insulating material</p> <p>Any use with an ambient temperature higher than the specified ambient temperature (Ta) would lead to a more rapid mortality of the product and the withdrawal of our guarantees</p> <p>The drivers, if not delivered by LOuss, must be approved before use</p>
<p>Warranty</p>	<p>Life span : L80B10 at 50,000 hours (80% remaining flux) at 25°C ambient temperature.</p> <p>3-year parts and labour warranty</p> <p>The warranty does not apply to products that have been opened, modified or repaired and does not cover the effects of a wrong connection, careless, abusive handling, overvoltage, lightning injury, as well as the normal wear of the product</p> <p>All products are electrically tested and received a functional burn-in</p>

All the connections have to be made before powering up,
otherwise the luminaires could be seriously damaged.

Creation : 2020.01.17 / Last update : 2026.05.06

3/6

LOuss

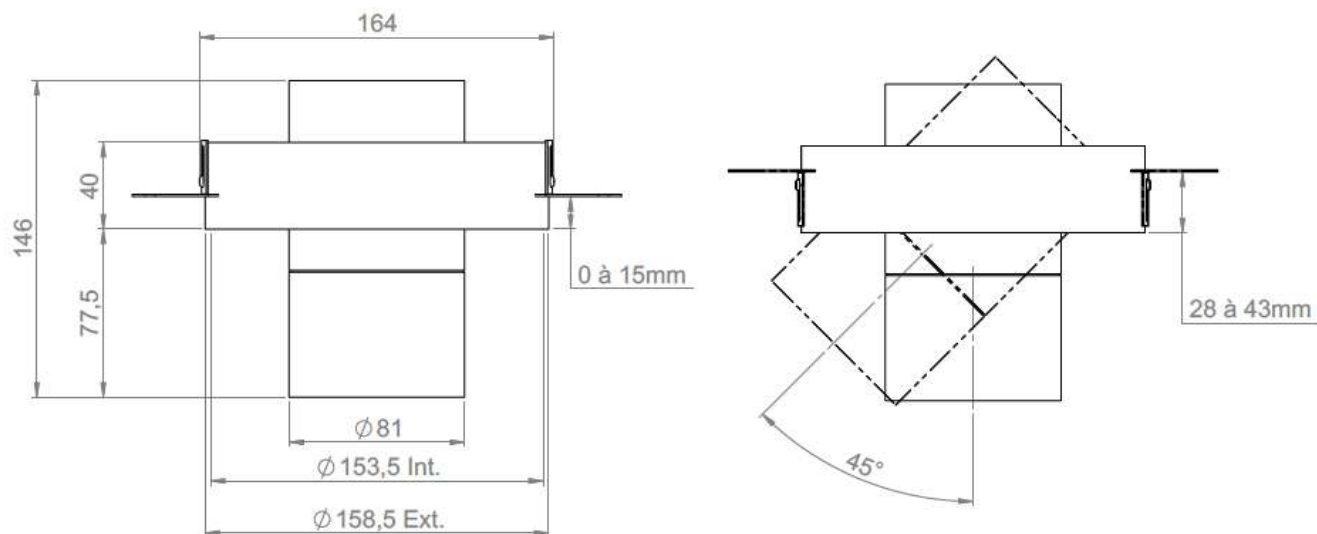
BEST SAS, Capital 200 000€
RCS Dijon B 408 483 485
TVA/VAT n° : FR94 408 483 485
APE 2612Z

Tel. : +33 380 48 65 68
contact@louss.fr
www.louss.fr
Best & LOuss

Siège social / Head Office
PA Les Terres d'Or
Route de Saint Philibert
21220 Gevrey Chambertin - FRANCE



AURORE D82 TRIMLESS



All the connections have to be made before powering up,
otherwise the luminaires could be seriously damaged.

Creation : 2020.01.17 / Last update : 2026.05.06

4/6

LOUSS

BEST SAS, Capital 200 000€
RCS Dijon B 408 483 485
TVA/VAT n° : FR94 408 483 485
APE 2612Z

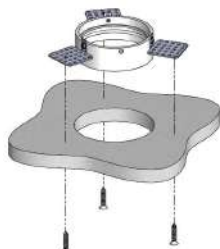
Tel. : +33 380 48 65 68
contact@louss.fr
www.louss.fr
Best & LOUSS

Siège social / Head Office
PA Les Terres d'Or
Route de Saint Philibert
21220 Gevrey Chambertin - FRANCE

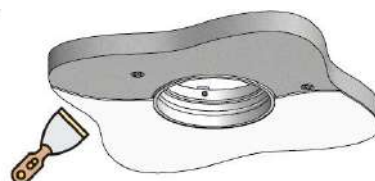


AURORE D82 TRIMLESS

Installation from above



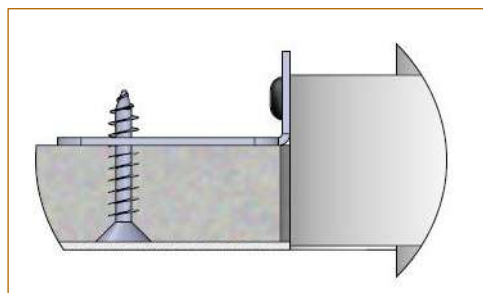
Install the recessed box from above and screw it into the surface



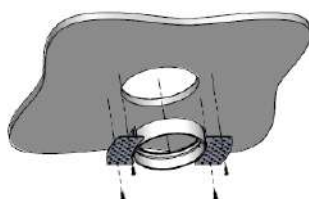
Cover the lateral plates of the recessed box by coating and painting



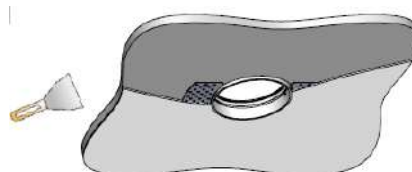
Insert the spotlight from below



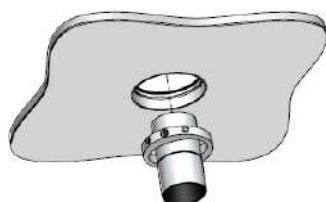
Installation from below



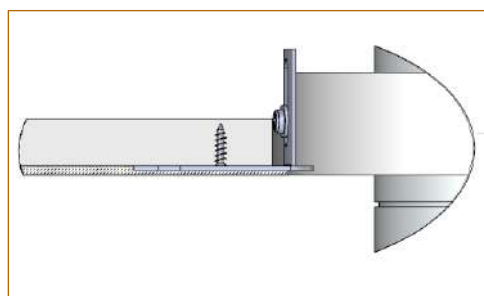
Install the recessed box from below and screw it into the surface



Cover the lateral plates of the recessed box by coating and painting



Insert the spotlight from below



All the connections have to be made before powering up, otherwise the luminaires could be seriously damaged.

Creation : 2020.01.17 / Last update : 2026.05.06

5/6

LOUSS

BEST SAS, Capital 200 000€
RCS Dijon B 408 483 485
TVA/VAT n° : FR94 408 483 485
APE 2612Z

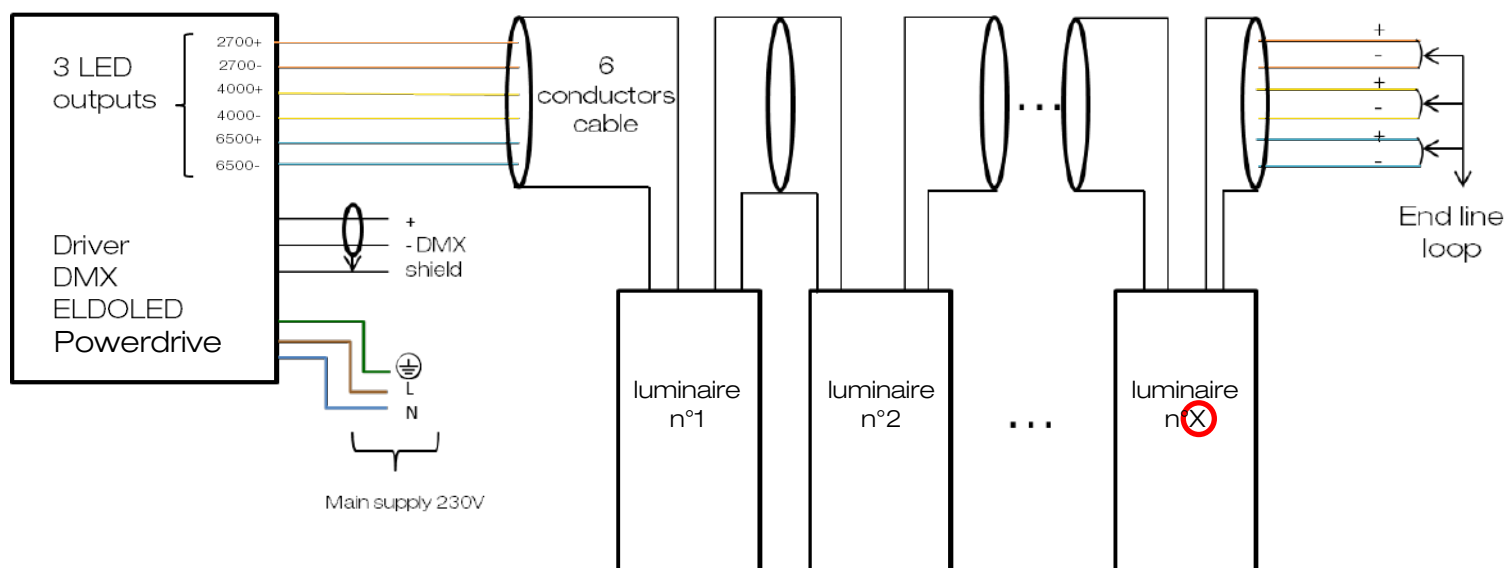
Tel. : +33 380 48 65 68
contact@louss.fr
www.louss.fr
Best & LOUSS

Siège social / Head Office
PA Les Terres d'Or
Route de Saint Philibert
21220 Gevrey Chambertin - FRANCE



AURORE D82 TRIMLESS TUNABLE WHITE 3 COLOR TEMPERATURES

DMX Daisy chain version – Wiring System



Example :

4 LED 2700K 700 mA/12 V 8.4W / luminaire

4 LED 4000K 700mA/12V 8.4W / luminaire

4 LED 6500K 700 mA/12V 8.4W / luminaire

Total 25.2W

Daisy chain version : 2 x 0.5m with 6 conductors

⊗ : according to driver's characteristics
700mA /12V / 25W output / luminaire

Example :

- Driver ELDOLED Powerdrive 100W : Power = 100w Vout < 57V
→ 3 luminaires / driver max.

- Driver ELDOLED Powerdrive 50W : Power = 50W Vout < 55V
→ 2 luminaires / driver max.

All the connections have to be made before powering up,
otherwise the luminaires could be seriously damaged.

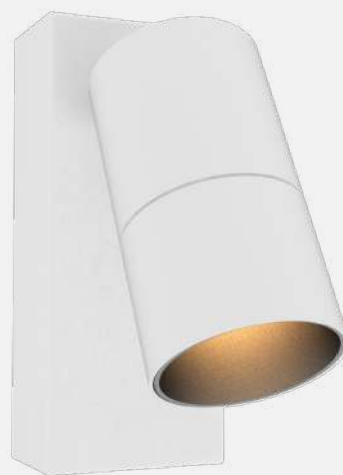
LOUSS

Creation : 2020.01.17 / Last update : 2026.05.06

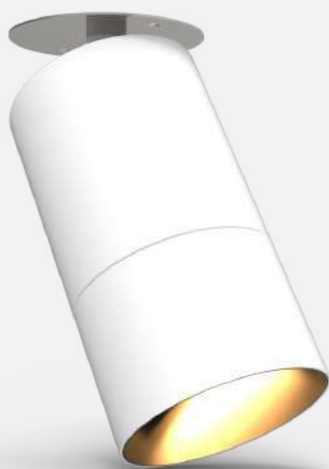
6/6



Round Wall-Mounted

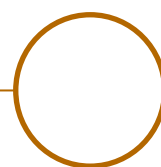


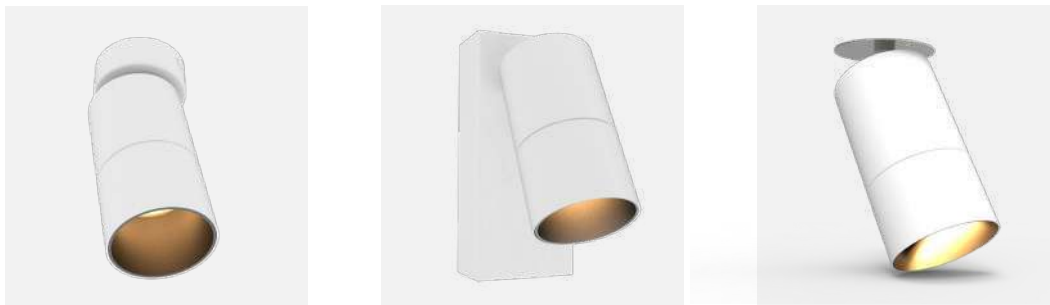
Rectangular Wall-Mounted



On-Plate

AURORE D82 WALL-MOUNTED

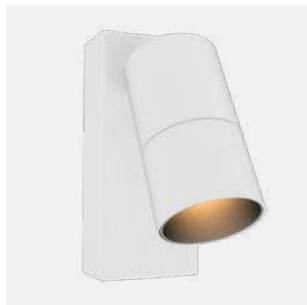
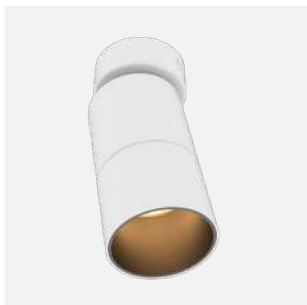




AURORE D82 WALL-MOUNTED • Round • Rectangular • On Plate

Range	Highly adjustable luminaires for general & accent lighting		
Description	Low luminance 1 LED or 3 LEDs versions Rotation 360° - Adjustable tilt 88°		
Finish	White RAL 9003 matt finish Black RAL 9005 matt finish (other upon request)		
Dimensions	Round Wall-Mounted	Rectangular Wall-Mounted	On-Plate
	Spotlight diameter : 52mm Spotlight length : 146mm Box diameter : 52mm	Spotlight diameter : 52mm Spotlight length : 146mm Box dimensions : 81x170mm	Spotlight diameter : 52mm Spotlight length : 146mm Plate diameter : 81mm
Net weight	0.8kg	1.3 kg	0.9 kg
LED characteristics	1 LED		3 LEDs
	2700K – 3000K – 3500K - 4000K – 5000K (other upon request) MacAdam ellipse : 3 SDCM (standard) 2 SDCM (premium)		2700K – 3000K – 3500K - 4000K – 5000K (other upon request) Tunable white version : 3 LED 2700K – 4000K – 6500K RGB version
CRI 90 (standard) – CRI 95, R9 > 90 (premium)			
Optical beams	1 LED		3 LEDs
	7° - 12° - 15° - 25° - 30° - 40° - Elliptical UGR < 15		20° - 30° UGR < 15
Accessories	Filters, honeycomb grid upon request		
Luminous flux	1 LED		3 LEDs
	1500 to 2500Lm according to version		2300 to 2600 Lm according to version
Connection	1 LED		3 LEDs
	Supplied with 0.5m cable or connectors in the box (except for On-plate version)		Supplied with 0.5m of 8-conductor cable Daisy-chain option : 2 input/output cables for serial wiring
Power supply	All versions (1 LED)	Rectangular W.-M (1 LED)	All versions (3 LEDs)
	Remote constant current driver 1400mA max. according to version Dimmable driver upon request	Constant current driver 700mA max. integrated in the box	Remote constant current DMX driver 700mA max (1A possible with driver flanged at 30W)
For the US & Canada, use a UL class 2 driver			

All the connections have to be made before powering up, otherwise the luminaires could be seriously damaged



AURORE D82 WALL-MOUNTED • Round • Rectangular • On Plate

Power	1 LED	3 LEDs
		6W to 25W according to version
Use limitations	<p>The product must be installed into a ventilated area</p> <p>Any use with an ambient temperature higher than the specified ambient temperature (Ta) would lead to a more rapid mortality of the product and the withdrawal of our guarantees</p> <p>The drivers, if not delivered by LOuss, must be approved before use</p>	
Warranty	<p>Life span: L80B10 at 50,000 hours (80% remaining flux) at 25°C ambient temperature.</p> <p>3-year parts and labour warranty</p> <p>The warranty does not apply to products that have been opened, modified or repaired and does not cover the effects of a wrong connection, careless, abusive handling, overvoltage, lighting injury, as well as the normal wear of the product</p> <p>All products are electrically tested and received a functional burn-in</p>	

All the connections have to be made before powering up,
otherwise the luminaires could be seriously damaged

LOuss

Last update: 2025.06.13

3/5

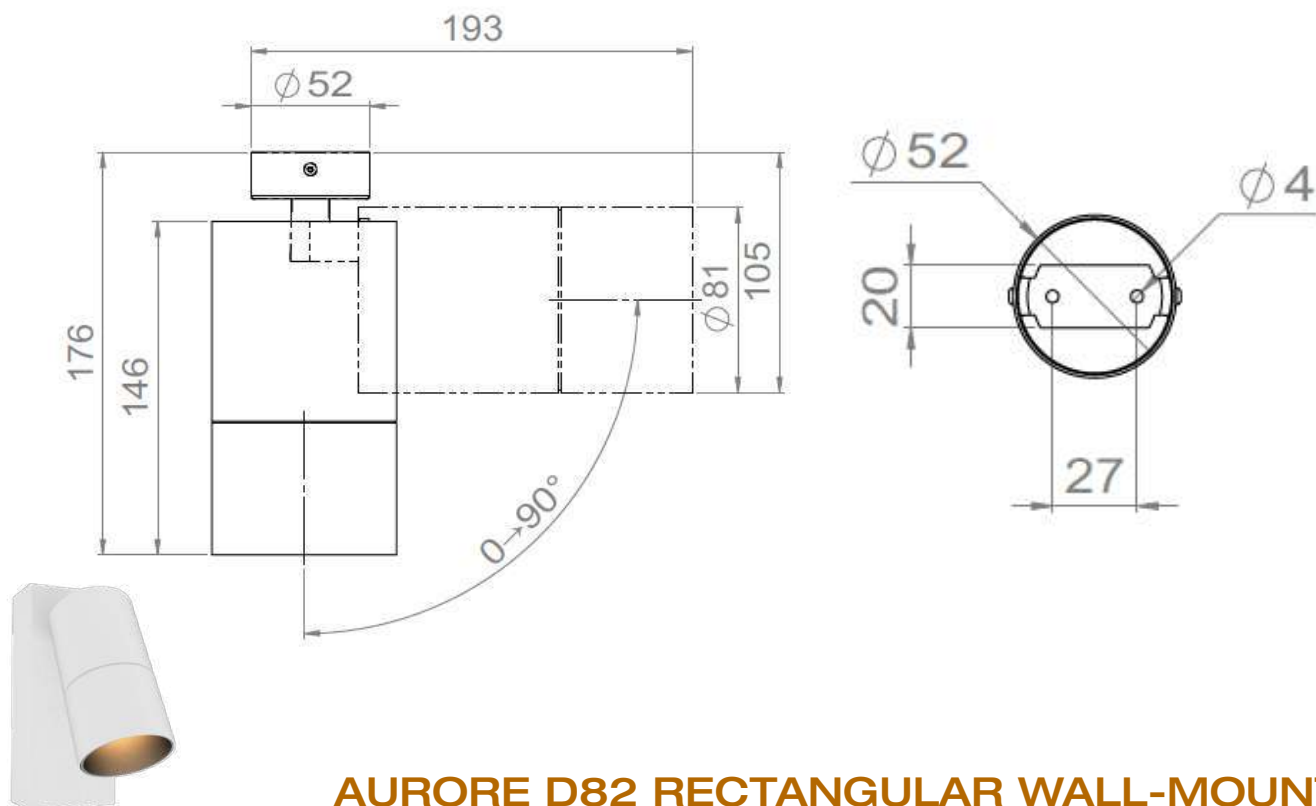
BEST SAS, Capital 200 000€
RCS Dijon B 408 483 485
TVA/VAT n° : FR94 408 483 485
APE 2612Z

Tel. : +33 380 48 65 68
contact@louss.fr
www.louss.fr
Best & LOuss

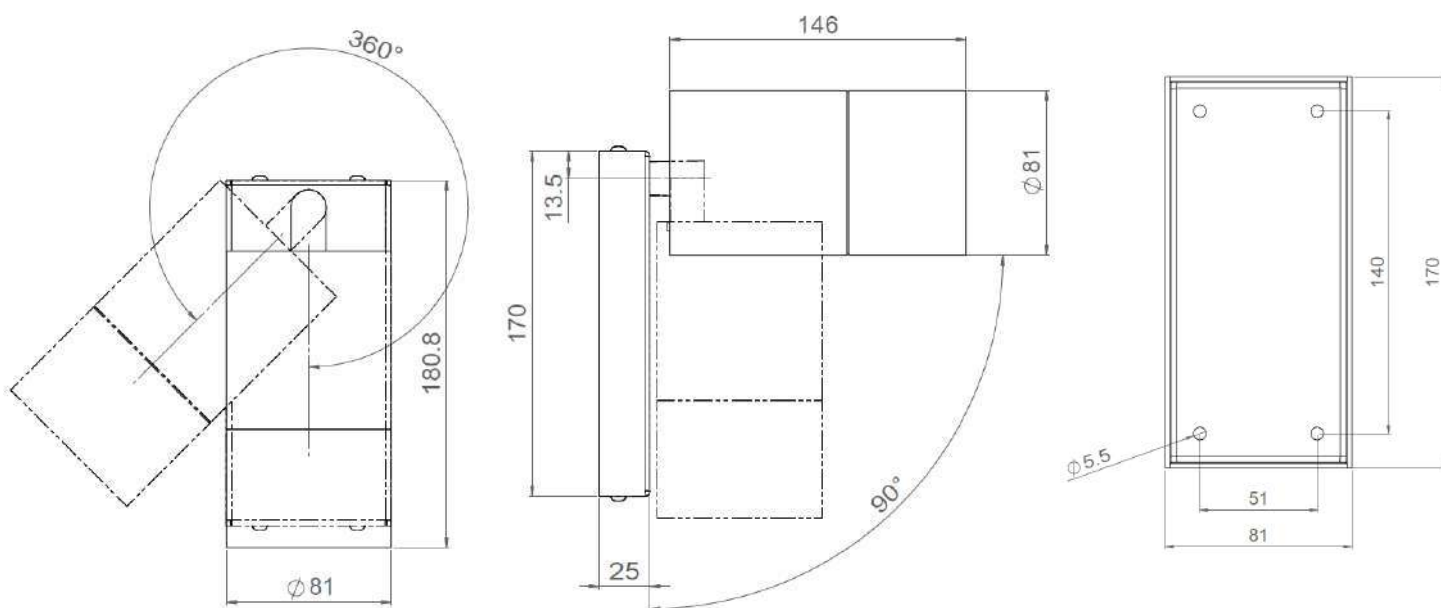
Siège social / Head Office
PA Les Terres d'Or
Route de Saint Philibert
21220 Gevrey Chambertin - FRANCE



AURORE D82 ROUND WALL-MOUNTED



AURORE D82 RECTANGULAR WALL-MOUNTED



All the connections have to be made before powering up,
otherwise the luminaires could be seriously damaged

LOUSS

Last update: 2025.06.13

4/5

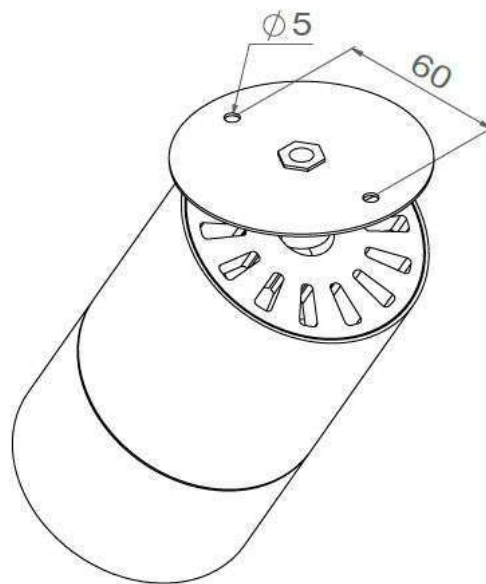
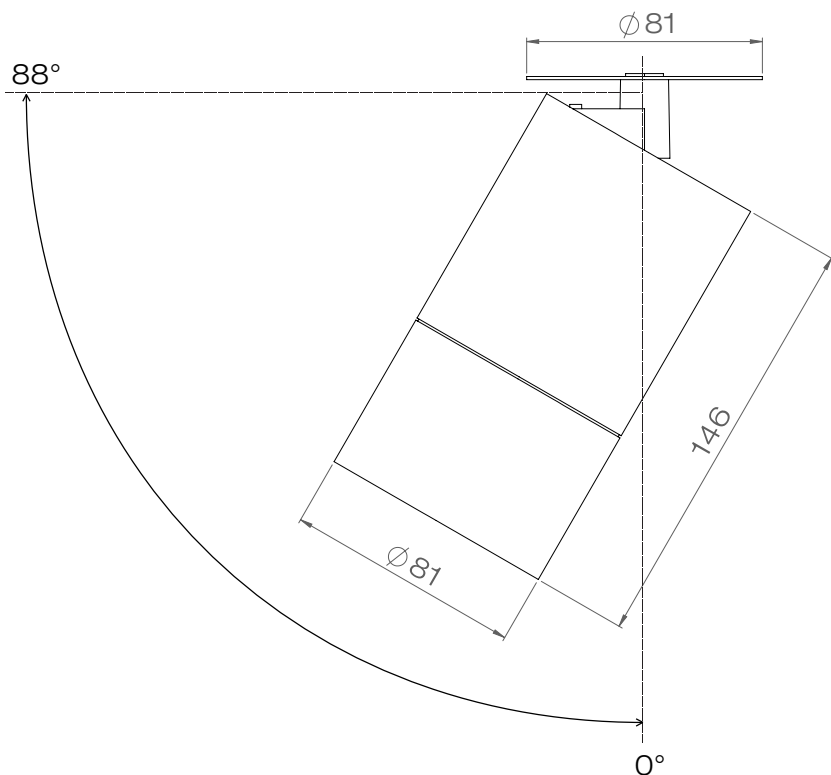
BEST SAS, Capital 200 000€
RCS Dijon B 408 483 485
TVA/VAT n° : FR94 408 483 485
APE 2612Z

Tel. : +33 380 48 65 68
contact@louss.fr
www.louss.fr
Best & LOUSS

Siège social / Head Office
PA Les Terres d'Or
Route de Saint Philibert
21220 Gevrey Chambertin - FRANCE



AURORE D82 ON-PLATE



All the connections have to be made before powering up,
otherwise the luminaires could be seriously damaged

LOUSS

Last update: 2025.06.13

5/5

BEST SAS, Capital 200 000€
RCS Dijon B 408 483 485
TVA/VAT n° : FR94 408 483 485
APE 2612Z

Tel. : +33 380 48 65 68
contact@louss.fr
www.louss.fr
Best & LOUSS

Siège social / Head Office
PA Les Terres d'Or
Route de Saint Philibert
21220 Gevrey Chambertin - FRANCE



AURORE D82 ON TRACK

**AURORE D82****230V TRACK****230V DALI TRACK**

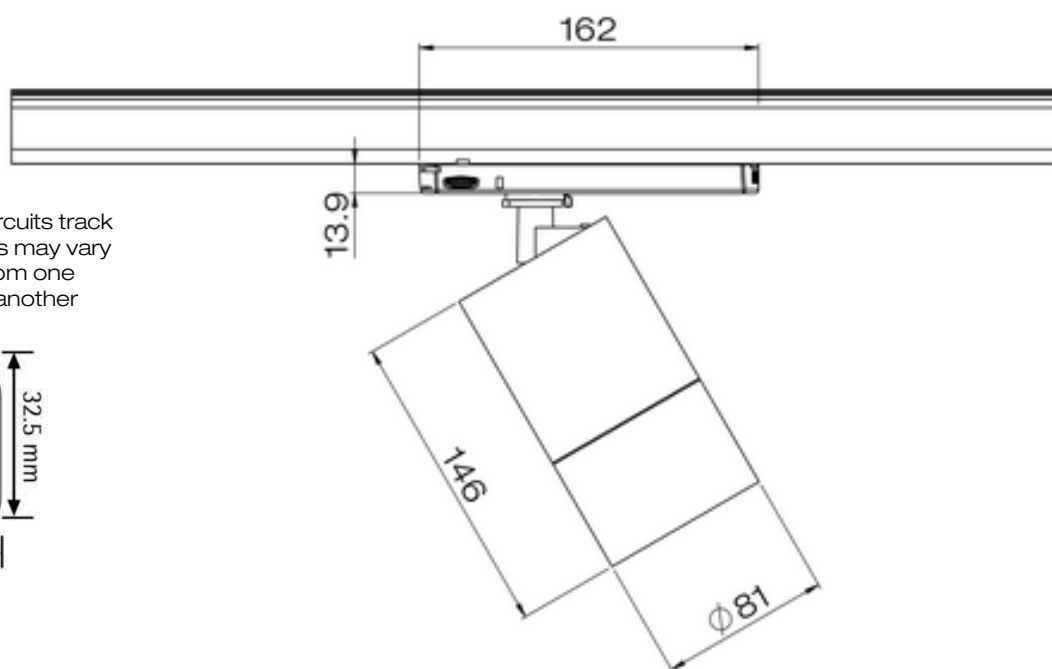
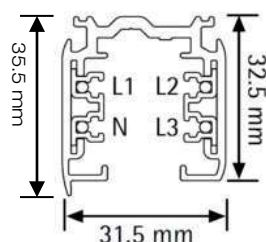
Range	Highly flexible spotlight on track for general & accent lighting	
Description	Low luminance 1 LED or 3 LEDs versions Rotation 360° - Adjustable tilt 90°	
Finish	White RAL 9003 matt finish Black RAL 9005 matt finish (other upon request)	
Dimensions	230V	230V DALI
	Spotlight diameter : 81mm Spotlight length : 146mm Driver length : 162mm Track dimensions : 31.5 x 32.5mm	Spotlight diameter : 81mm Spotlight length : 146mm Driver length : 253.5mm Track dimensions : 31.5 x 32.5mm
Net weight	± 0.8 kg according to version	
LED characteristics	2700K - 3000K - 3500K - 4000K - 5000K (other upon request) Trio version : 2700K + 4000K + 6500K (no tunable white) MacAdam ellipse : 3 SDCM (standard) 2 SDCM (premium) CRI 90 (standard version) - CRI 95, R9 > 90 (premium version)	
Optical beams	7° - 12° - 15° - 25° - 30° - 40° - Elliptical UGR < 15	
Accessories	Filters, honeycomb grid upon request	
Luminous flux	700 to 2,500 lumen according to version	
Power supply	230V	230V DALI
	Track adapter suitable for Global Trac PRO XTS or similar (ERCO, Trajectoire...)	Track adapter suitable for Global Trac Pulse, STUCCHI, SLV... Optional : CASAMBI-DALI gateway (see page 4)
Power	15W to 30W according to version	
Use limitations	The product must be installed in a ventilated area. Any use with an ambient temperature higher than the specified ambient temperature (Ta) would lead to a more rapid mortality of the product and the withdrawal of our guarantees. The drivers, if not delivered by LOuss, must be approved before use	
Warranty	Life span : L80B10 at 50,000 hours (80% remaining flux) at 25°C ambient temperature. 3-year parts and labour warranty. The warranty does not apply to products that have been opened, modified or repaired and does not cover the effects of a wrong connection, careless, abusive handling, overvoltage, lightning injury, as well as the normal wear of the product. All products are electrically tested and received a functional burn-in	

All the connections have to be made before powering up,
otherwise the luminaires could be seriously damaged



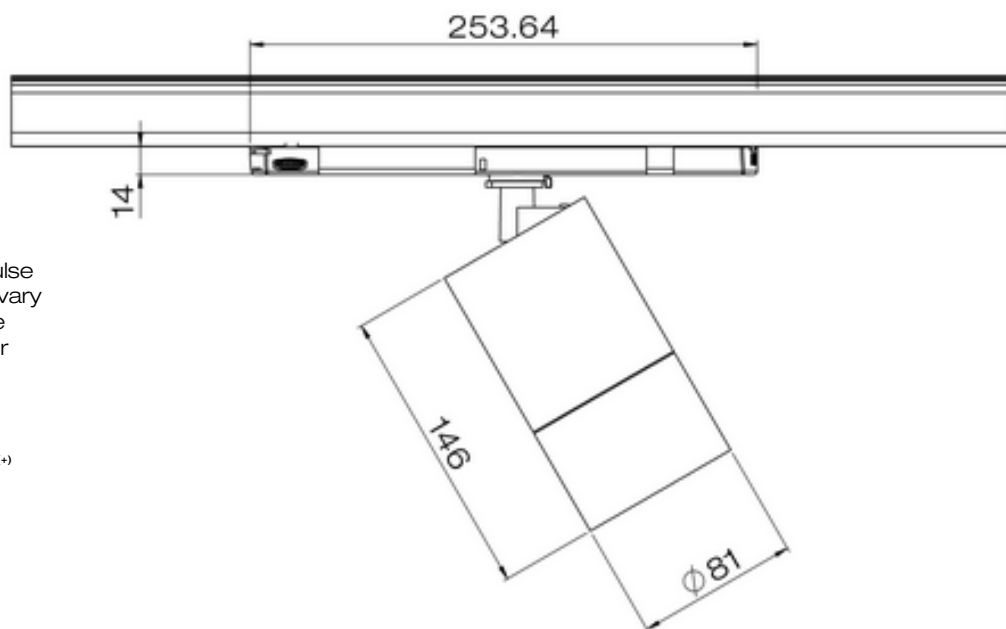
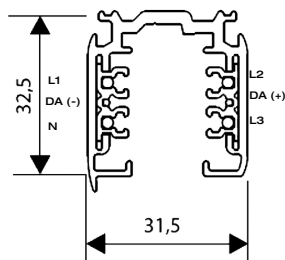
AURORE D82 ON TRACK 230V

Global Trac PRO 3-circuits track
Warning: Dimensions may vary
by a few mms from one
manufacturer to another



AURORE D82 ON TRACK 230V DALI

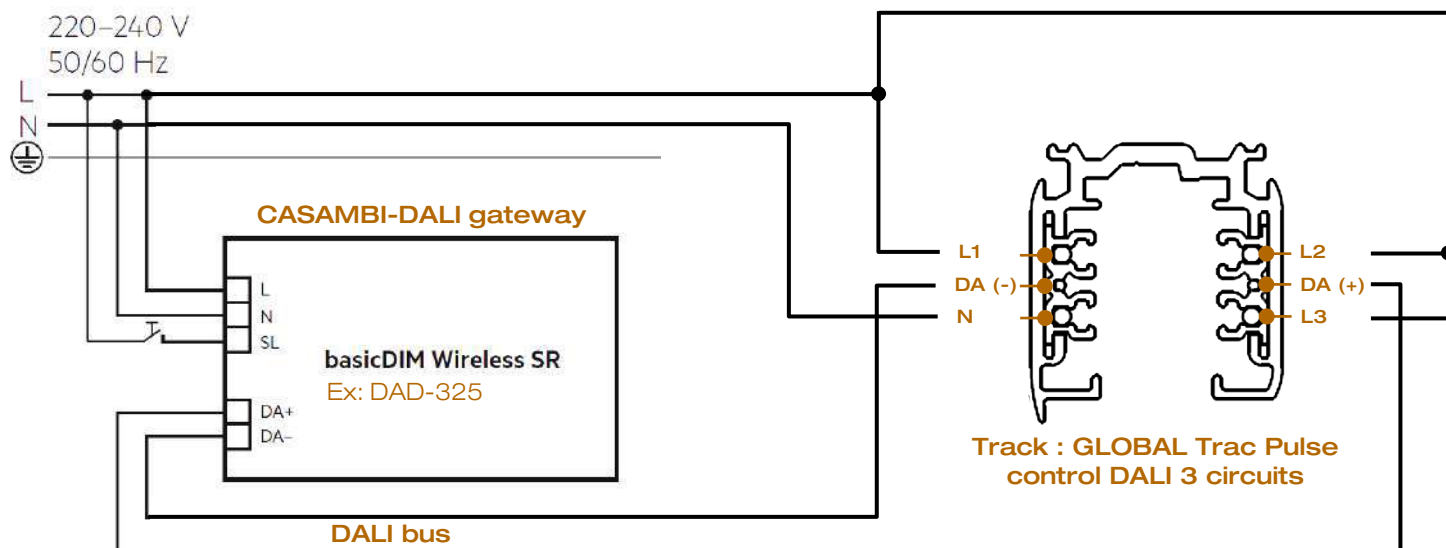
Track DALI Global Trac pulse
Warning: Dimensions may vary
by a few mms from one
manufacturer to another



All the connections have to be made before powering up,
otherwise the luminaires could be seriously damaged



AURORE D82 230V TRACK CASAMBI-DALI Wiring system



CAUTION : 25 drivers maximum per track

All the connections have to be made before powering up,
otherwise the luminaires could be seriously damaged