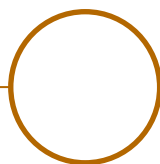


LOUSS

Lighting Emotion



MICROTRACK

The multipurpose track





MicroTrack Nano Simple • LL



MicroTrack 2 LEDs



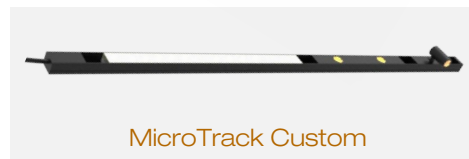
MicroTrack 3 LEDs



MicroTrack 5 LEDs



MicroTrack Linear



MicroTrack Custom

MICROTRACK

Range	Luminaires on track for ambient and accent lighting			
Description	<p>24V track - 50W max. Dimensions : <ul style="list-style-type: none"> Width : 15mm Height : 11mm Length : 82mm to 2500mm according to version (32mm used by the connecting end cap and the end caps) Natural or black anodized aluminum 500mm cable (other length upon request) 3 possibilities of fixing devices : magnets, adhesive tape, screws Equipped with NANO spotlights, LED units, linear LED lights or a combination of any of these luminaires, with a maximum of 1kg per meter of track</p>			
MicroTrack Nano	NANO spotlight	Diameter : 12mm Length : 29mm (Simple) 37mm (Low Luminance)		
	LED characteristics	2200K - 2700K - 3000K - 3500K - 4000K (other upon request) or different colors in alternation CRI 90 - 95 R9>80		
	Optical beams	14° - 16° - 25° - 33° - 36° - 58° - 69° - 78° - 17°x47°		
	Optional	Dimmable version		
	Number of spotlights	1	2	3
	Plug-in unit length	50mm (55mm DMX version)	100mm	150mm
	Unit Power	2.10W	3.20W	4.30W
	Net weight	13g		
MicroTrack LED Units	LED characteristics	2200K - 2700K - 3000K - 3500K - 4000K (other upon request) or different colors in alternation CRI 90 - 95 • R9>80 60mm between each LED on each LED unit		
	Optical beams	14° - 16° - 25° - 33° - 36° - 58° - 69° - 78° - 17°x47°		
	Optional	Dimmable version		
	Number of LEDs	2 LED	3 LED	5 LED
	Plug-in unit length	120mm	180mm	300mm
	Unit Power	3.20W	4.30W	6.50W
	Net weight	15g		27g

All the connections have to be made before powering up,
otherwise the luminaires could be seriously damaged

Last update : 2025.07.04

2/16



MicroTrack Nano Simple • LL



MicroTrack 2 LEDs



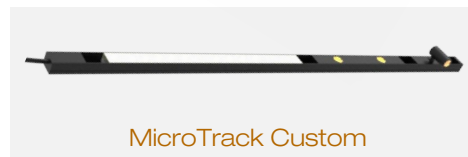
MicroTrack 3 LEDs



MicroTrack 5 LEDs



MicroTrack Linear



MicroTrack Custom

MICROTRACK

MicroTrack Linear	LED characteristics	2200K - 2700K – 3000K – 3500K - 4000K (other upon request) Or different colors in alternation CRI 90 - 95 R9>80			
	Diffuser	Opal			
	Unit length	150mm	200mm	300mm	400mm
	LED Power 3000K CRI 95	2.20W -235lm	2.90W – 314lm	4.30W – 470lm	5.80W – 627lm
	Net weight	-	-	-	20g
Separate power supply	ON/OFF version : 24V constant voltage Dimmable version (except Linear units): 24V constant voltage + PWM / DALI / DMX / Casambi For the US & Canada, use UL class 2 power supply				
Electrical class	III				
Use limitations	The product must be installed by a professional team into a ventilated area Any use with an ambient temperature higher than the specified ambient temperature (Ta 25°) may lead to a more rapid mortality of the product and the withdrawal of our guarantees This luminaire is a class III device and must be powered up by a SELV (Safety Extra Low Voltage) control gear delivering a constant current and compliant with the IEC 61347-2-13 standard The drivers must be approved by LOuss before use Indoor lighting IP rating: 20				
Warranty	Life span: L80B10 at 50,000 hours (80% remaining flux) at 25°C ambient temperature 3-year parts and labour warranty The warranty does not apply to products that have been opened, modified or repaired and does not cover the effects of a wrong connection, careless, abusive handling, overvoltage, lighting injury, as well as the normal wear of the product All products are electrically tested and received a functional burn-in				

All the connections have to be made before powering up, otherwise the luminaires could be seriously damaged

Last update : 2025.07.04

3/16

LOuss

BEST SAS, Capital 200 000€
RCS Dijon B 408 483 485
TVA/VAT n° : FR94 408 483 485
APE 2612Z

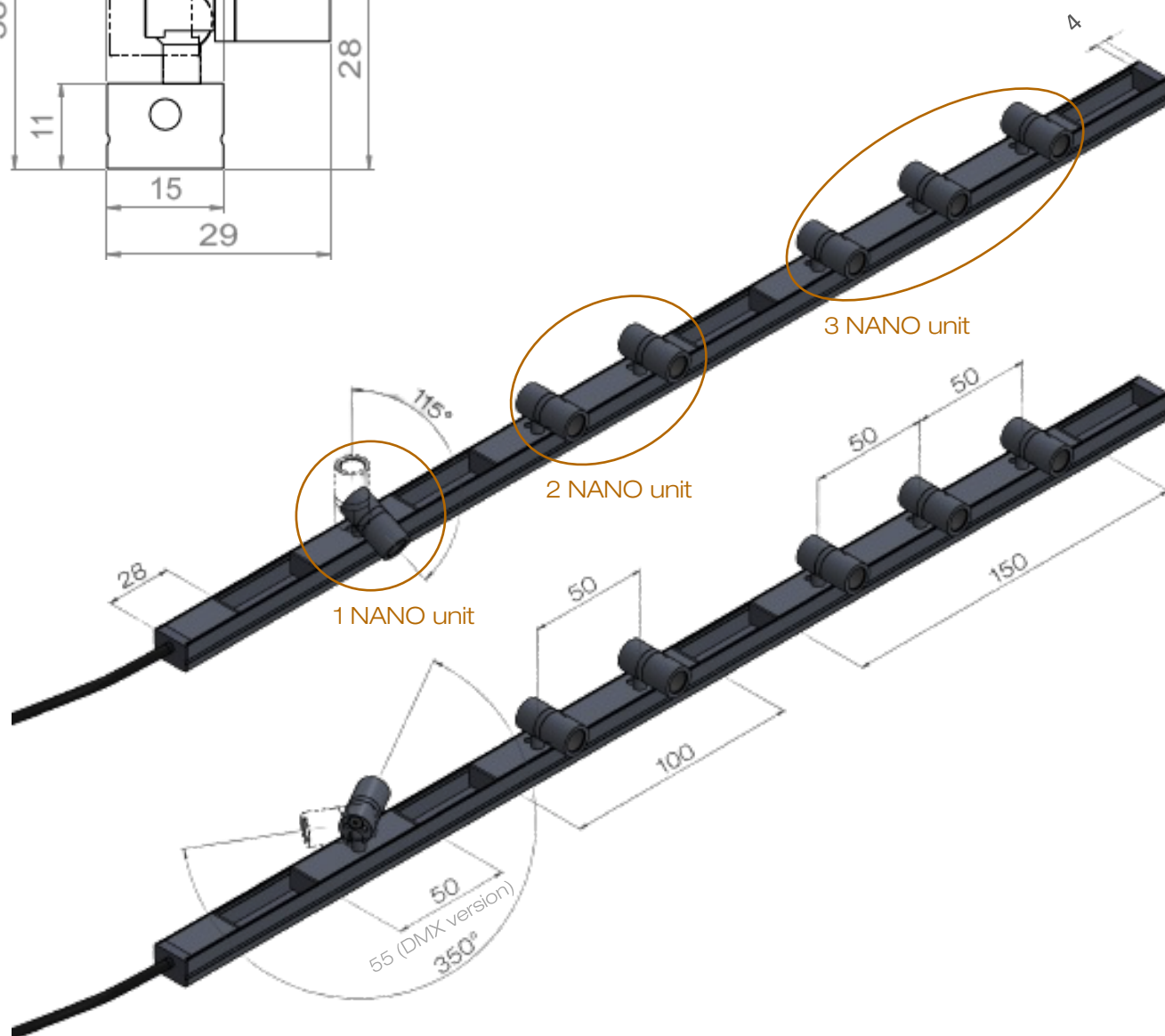
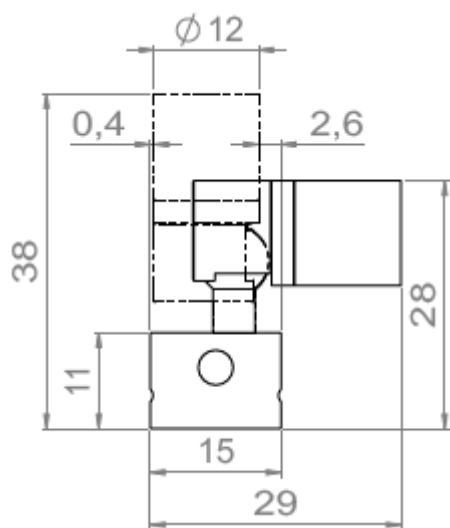
Tel. : +33 380 48 65 68
contact@louss.fr
www.louss.fr
Best & LOuss

Siège social / Head Office
PA Les Terres d'Or
Route de Saint Philibert
21220 Gevrey Chambertin - FRANCE



MICROTRACK NANO

Simple



Combination of NANO units upon request
Up to 50W on 2500mm max. 24V track

All the connections have to be made before powering up,
otherwise the luminaires could be seriously damaged

Last update : 2025.07.04

LOUSS

BEST SAS, Capital 200 000€
RCS Dijon B 408 483 485
TVA/VAT n° : FR94 408 483 485
APE 2612Z

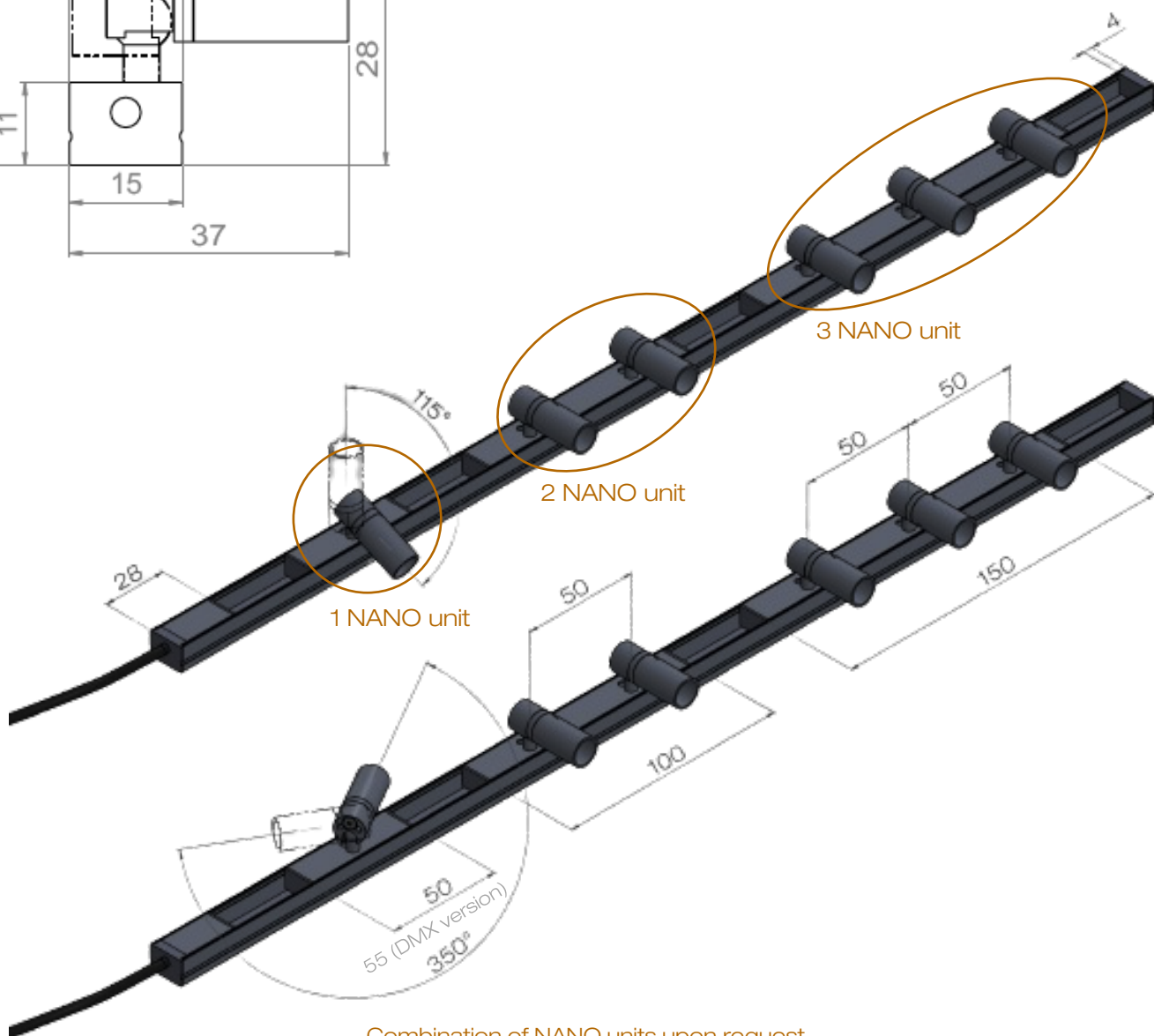
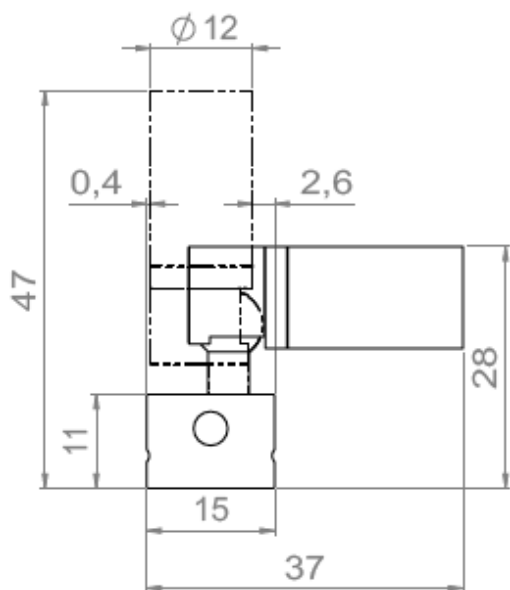
Tel. : +33 380 48 65 68
contact@louss.fr
www.louss.fr
Best & LOUSS

Siège social / Head Office
PA Les Terres d'Or
Route de Saint Philibert
21220 Gevrey Chambertin - FRANCE



MICROTRACK NANO

Low Luminance



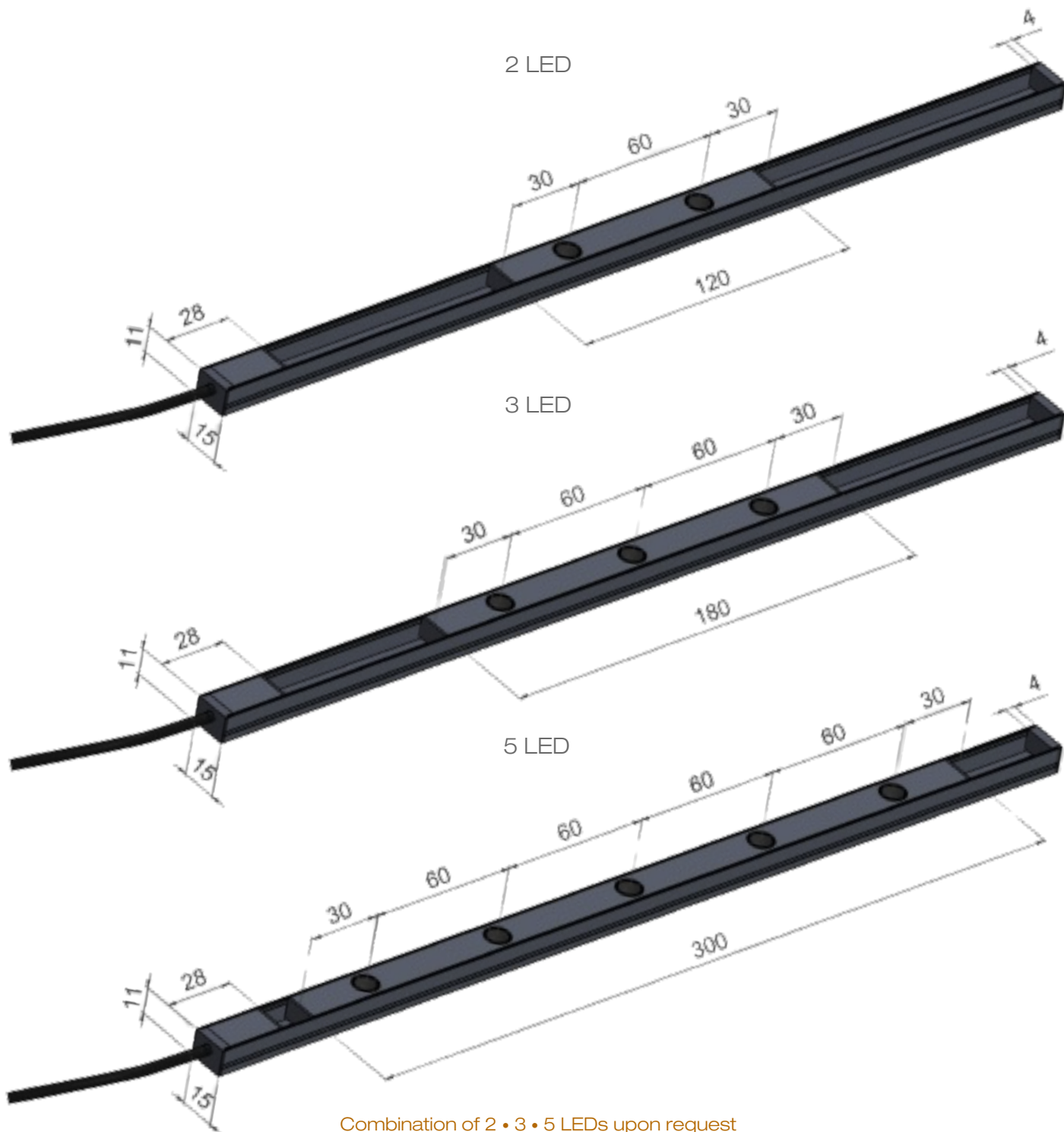
Combination of NANO units upon request
Up to 50W on 2500mm max. 24V track

All the connections have to be made before powering up,
otherwise the luminaires could be seriously damaged

Last update : 2025.07.04



MICROTRACK 2 LED • 3 LED • 5 LED



Combinaison de 2 • 3 • 5 LEDs upon request
Up to 50W on 2500mm max. 24V track

All the connections have to be made before powering up,
otherwise the luminaires could be seriously damaged

Last update : 2025.07.04

LOUSS

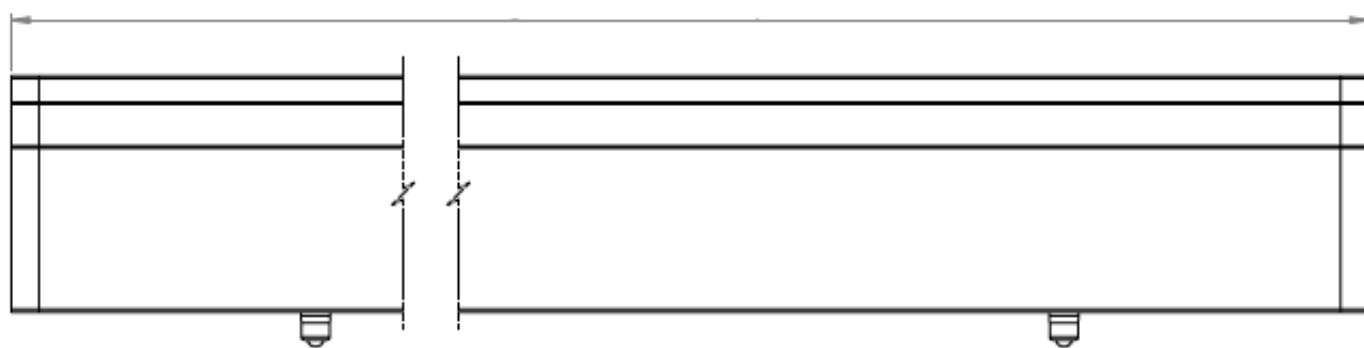
BEST SAS, Capital 200 000€
RCS Dijon B 408 483 485
TVA/VAT n° : FR94 408 483 485
APE 2612Z

Tel. : +33 380 48 65 68
contact@louss.fr
www.louss.fr
Best & LOUSS

Siège social / Head Office
PA Les Terres d'Or
Route de Saint Philibert
21220 Gevrey Chambertin - FRANCE



MICROTRACK LINEAR



Track length : 150mm to 400mm

Cut-out size : 50mm

Combination of linear LED units upon request
Up to 50W on 2500mm max. 24V track

All the connections have to be made before powering up,
otherwise the luminaires could be seriously damaged

Last update : 2025.07.04

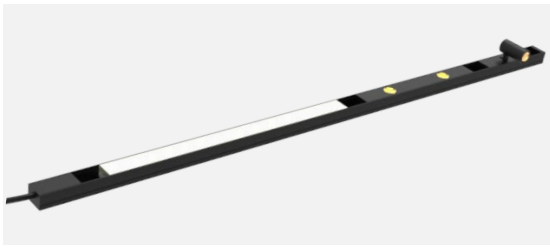
LOUSS

BEST SAS, Capital 200 000€
RCS Dijon B 408 483 485
TVA/VAT n° : FR94 408 483 485
APE 2612Z

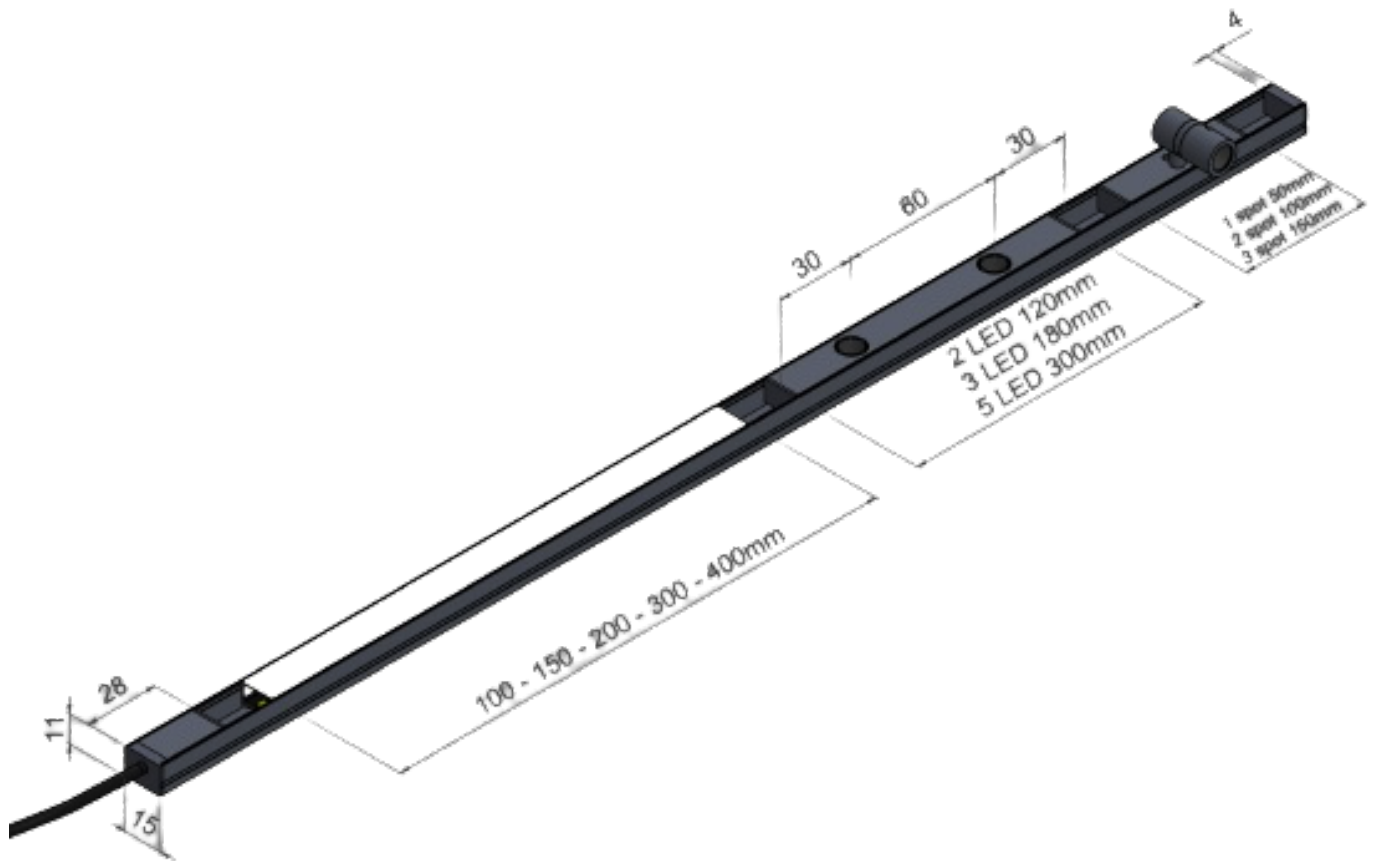
Tel. : +33 380 48 65 68
contact@louss.fr
www.louss.fr
Best & LOUSS

Siège social / Head Office
PA Les Terres d'Or
Route de Saint Philibert
21220 Gevrey Chambertin - FRANCE

7/16



MICROTRACK CUSTOM



Upon request, combination of :

- NANO units Simple or Low Luminance
- LED units
- Linear LED units

Up to 50W on 2500mm 24V track max.

1Kg of luminaires per meter max.

All the connections have to be made before powering up,
otherwise the luminaires could be seriously damaged

Last update : 2025.07.04

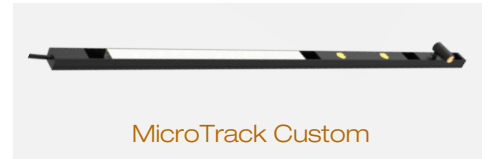
LOUSS

BEST SAS, Capital 200 000€
RCS Dijon B 408 483 485
TVA/VAT n° : FR94 408 483 485
APE 2612Z

Tel. : +33 380 48 65 68
contact@louss.fr
www.louss.fr
Best & LOUSS

Siège social / Head Office
PA Les Terres d'Or
Route de Saint Philibert
21220 Gevrey Chambertin - FRANCE

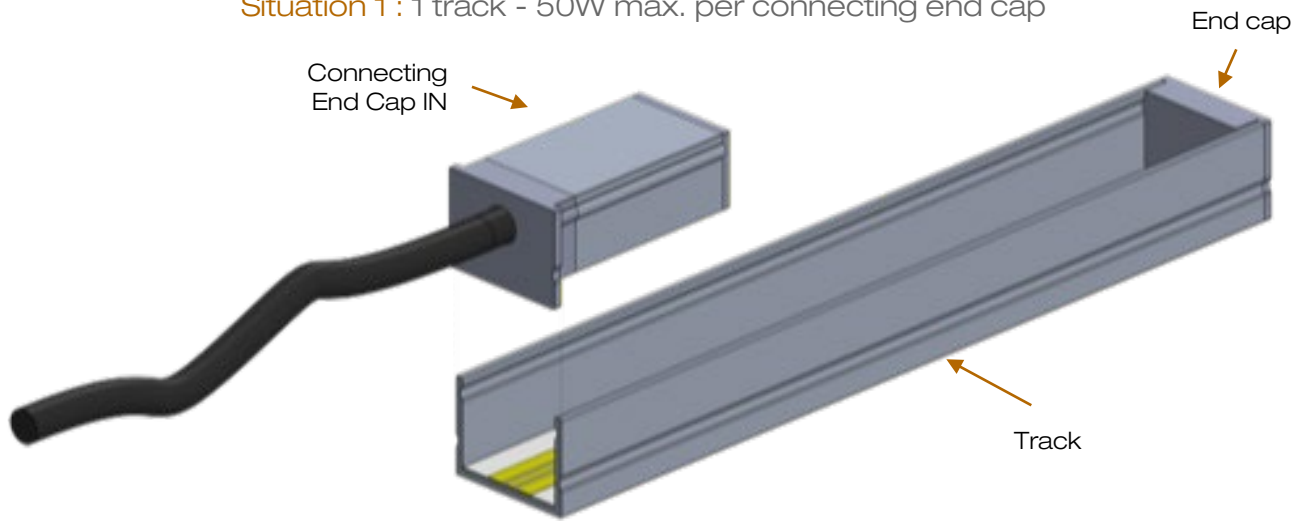
8/16



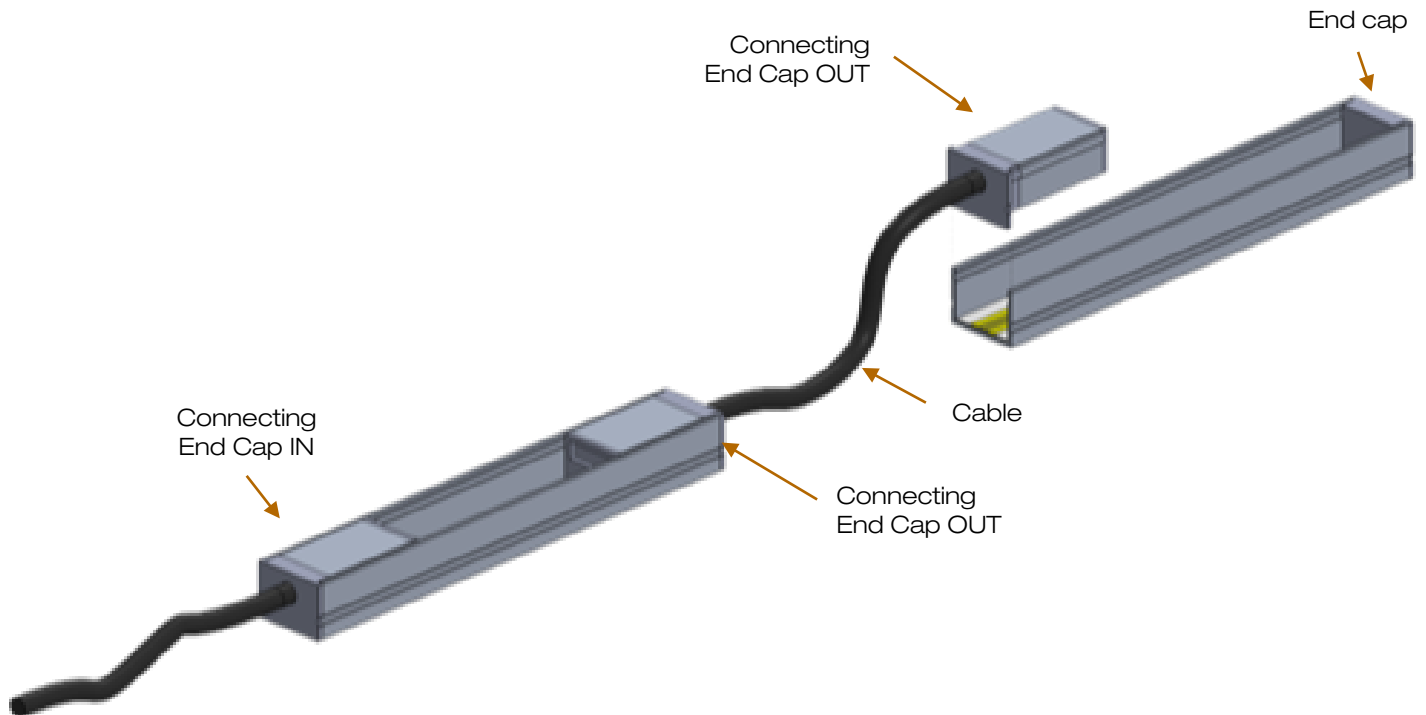
MICROTRACK

Individual or serial connection

Situation 1 : 1 track - 50W max. per connecting end cap



Situation 2 : Various chained tracks - 50W max. in total



All the connections have to be made before powering up,
otherwise the luminaires could be seriously damaged

MICROTRACK

Dimensions & Notice d'installation

Veillez lire toutes les instructions

Ne pas installer le rail dans un endroit mouillé ou humide
Ne pas installer de luminaire assemblé à moins de 15cm/
6 inches d'un rideau ou matériau combustible comparable
Couper l'alimentation électrique avant d'ajouter un module
ou changer la configuration du rail

Ne pas tenter d'alimenter à l'aide du rail un quelconque
autre produit que les luminaires prévus à cet effet
Utilisation dans un meuble uniquement

MICROTRACK

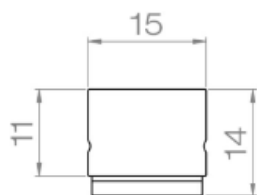
Dimensions & Installation guide

Please read all instructions

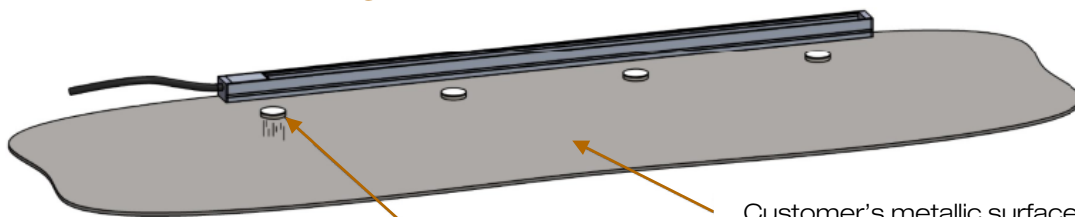
Do not install the track in damp or wet locations
Do not install any luminaire assembly closer than 15cm/
6 inches from any curtain or similar combustible material
Disconnect electrical power before adding to, or changing
the configuration of the track

Do not attempt to energize anything other than lighting
track luminaires on the track
For cabinet use only

1 Install the track according to version



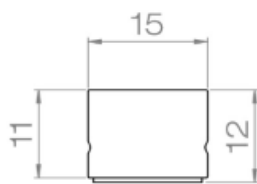
Magnetic version



Track equipped with magnets, fixed with adhesive tape :
3 magnets every 500mm track

Customer's metallic surface

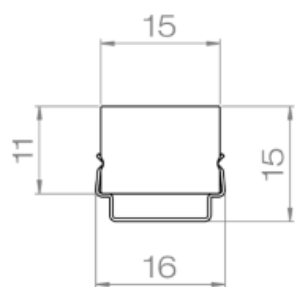
- Track $\geq 500\text{mm}$ = 2 magnets
- Track $\geq 501\text{mm} \leq 1000\text{mm}$ = 3 magnets
- Track $\geq 1001\text{mm} \leq 1500\text{mm}$ = 4 magnets
- Track $\geq 1501\text{mm} \leq 2000\text{mm}$ = 5 magnets
- Track $\geq 2001\text{mm} \leq 2500\text{mm}$ = 6 magnets



Adhesive tape version



Track equipped with
double-side adhesive tape



Fixing clips version



Screws not supplied

Customer's surface

Drill a hole into
the surface

Track equipped with fixing clips and screws :
3 fixing clips every 500mm track

- Track = 100mm \leq 1000mm = 2 clips
- Track $>$ 1001mm \leq 2000mm = 3 clips
- Track $>$ 2001mm \leq 2500mm = 4 clips

All the connections have to be made before powering up,
otherwise the luminaires could be seriously damaged

Louss

Last update : 2025.07.04

10/16

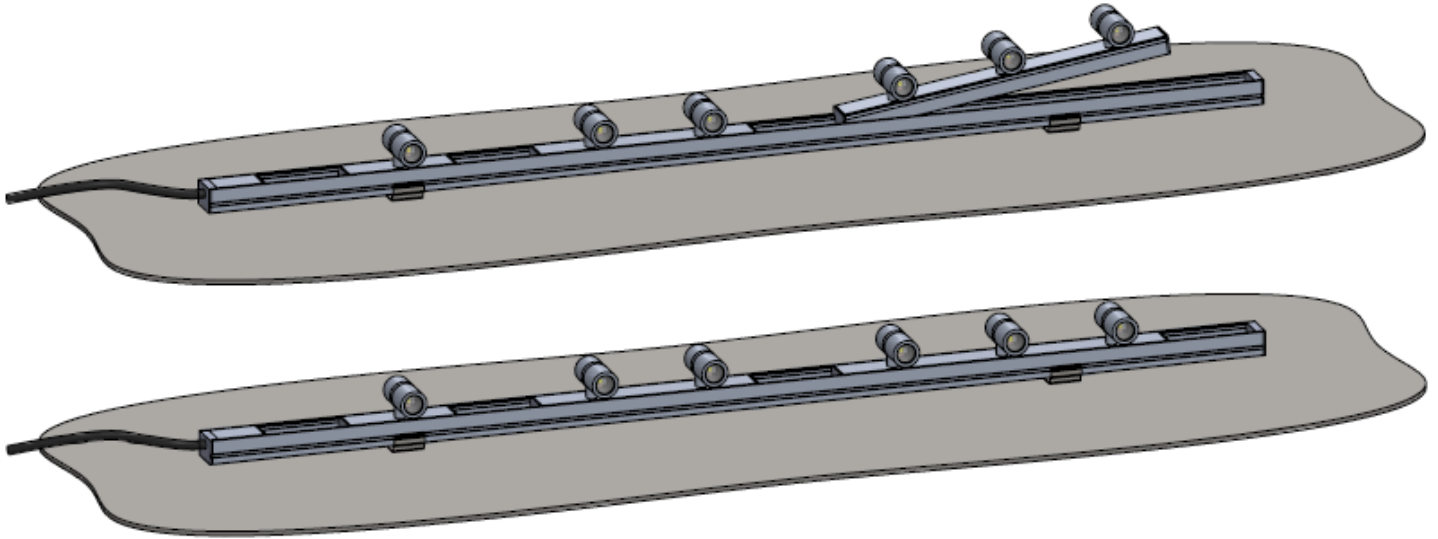
BEST SAS, Capital 200 000€
RCS Dijon B 408 483 485
TVA/VAT n° : FR94 408 483 485
APE 2612Z

Tel. : +33 380 48 65 68
contact@louss.fr
www.louss.fr
Best & LOUSS

Siège social / Head Office
PA Les Terres d'Or
Route de Saint Philibert
21220 Gevrey Chambertin - FRANCE

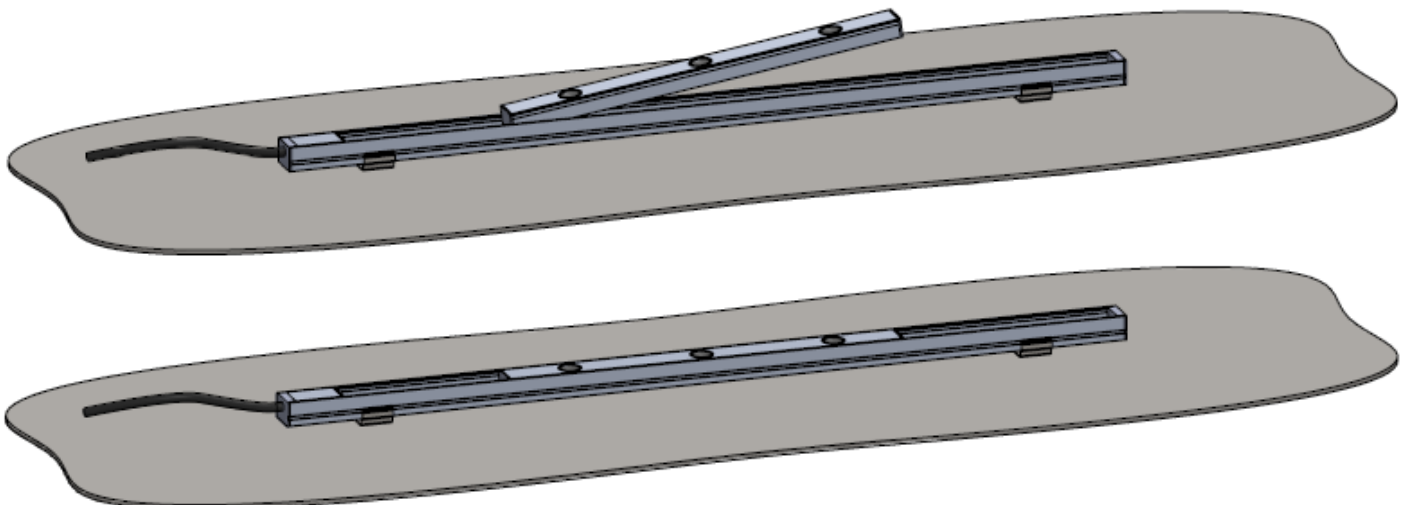
2 Insert each unit into the track

MicroTrack Nano



Combination of NANO units upon request
Up to 50W on 2500mm max. 24V track

MicroTrack 2 LED • 3 LED • 5 LED



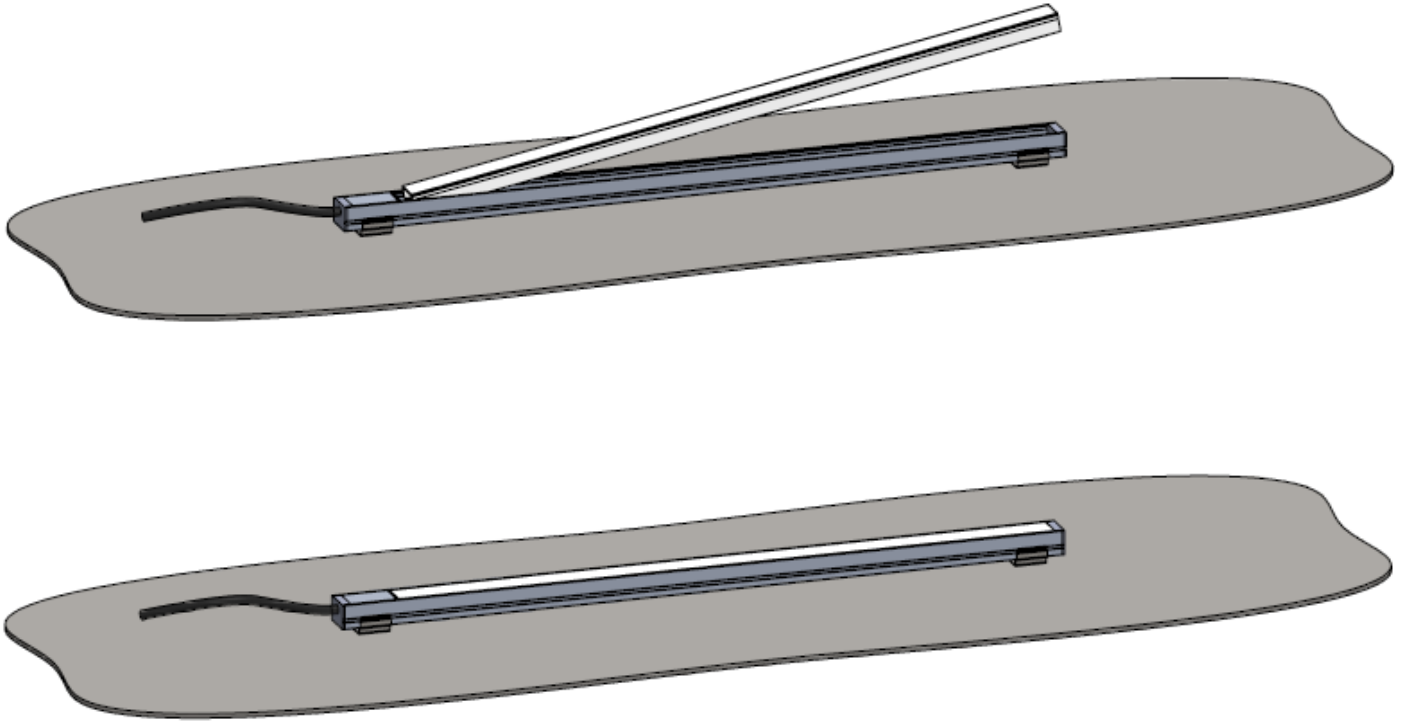
Combination of 2 • 3 • 5 LED upon request
Up to 50W on 2500mm max. 24V track

All the connections have to be made before powering up,
otherwise the luminaires could be seriously damaged

Last update : 2025.07.04

2 Insert each unit into the track

MicroTrack Linear



Combination of linear LED units upon request
Up to 50W on 2500mm max. 24V track

All the connections have to be made before powering up,
otherwise the luminaires could be seriously damaged

Last update : 2025.07.04



MicroTrack Nano Simple • LL



MicroTrack 2 LEDs



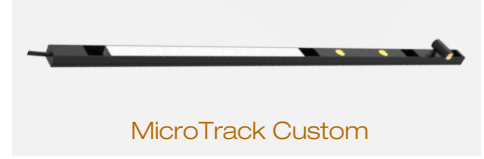
MicroTrack 3 LEDs



MicroTrack 5 LEDs



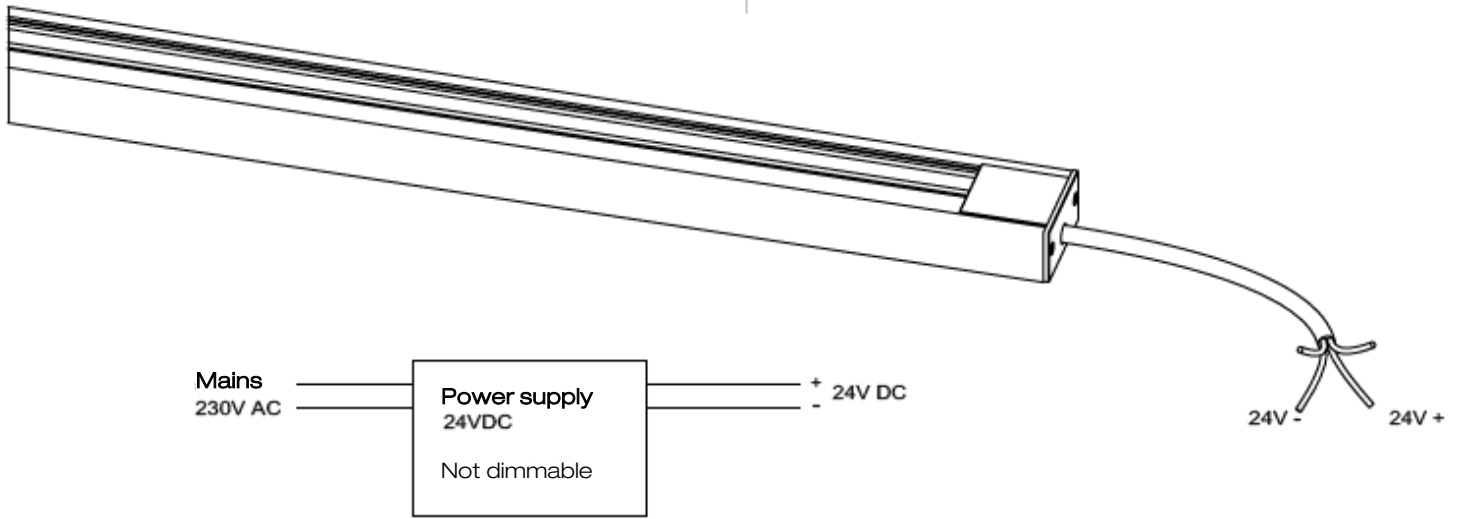
MicroTrack Linear



MicroTrack Custom

MICROTRACK

Wiring system
ON/OFF



All the connections have to be made before powering up,
otherwise the luminaires could be seriously damaged

Last update : 2025.07.04

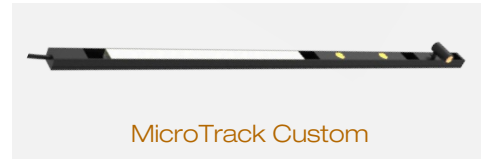
13/16

LOUSS

BEST SAS, Capital 200 000€
RCS Dijon B 408 483 485
TVA/VAT n° : FR94 408 483 485
APE 2612Z

Tel. : +33 380 48 65 68
contact@louss.fr
www.louss.fr
Best & LOUSS

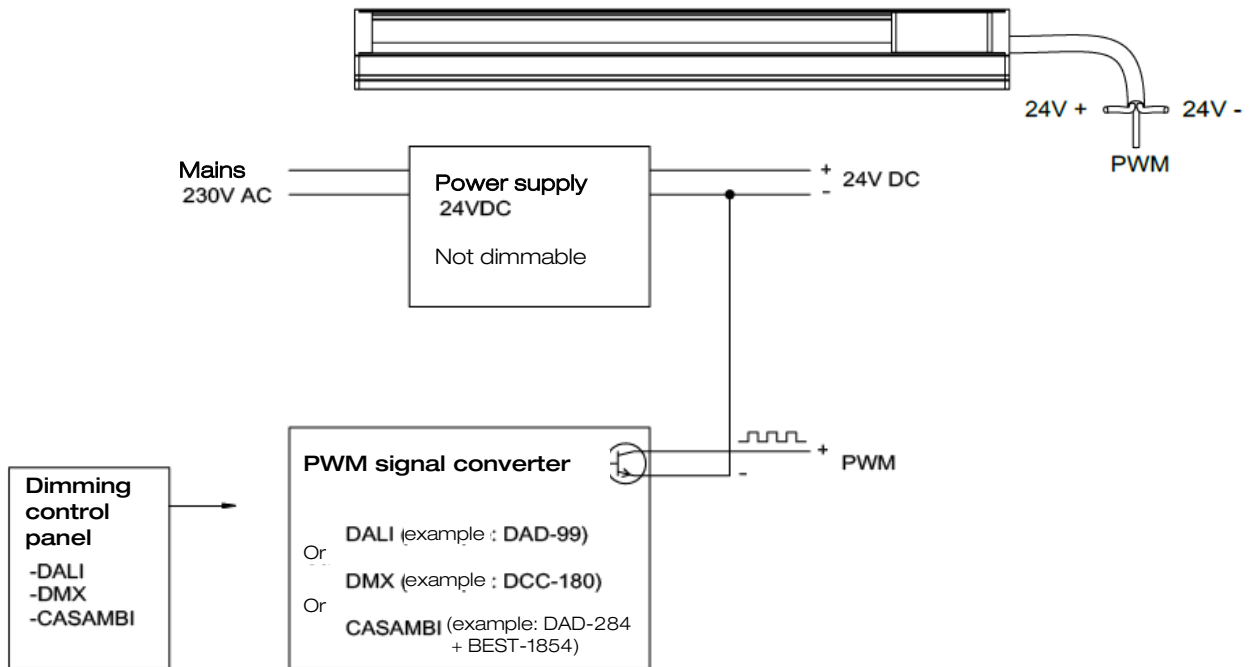
Siège social / Head Office
PA Les Terres d'Or
Route de Saint Philibert
21220 Gevrey Chambertin - FRANCE



MICROTRACK

Wiring system
Dimmable version • 24V PWM

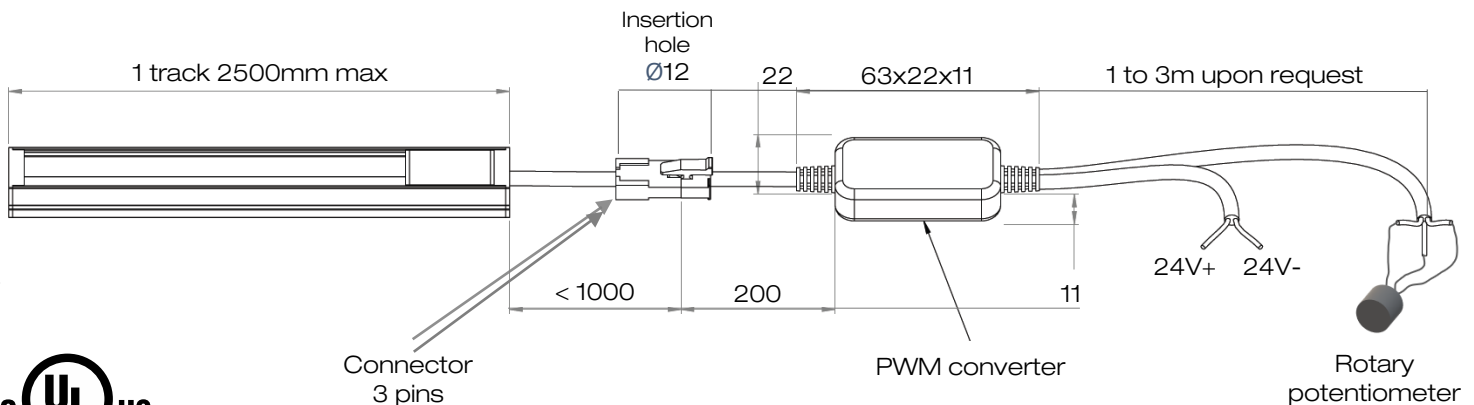
Dimming of the whole track - all units simultaneously



MICROTRACK

Wiring system
Dimmable by potentiometer version • 24V PWM

Dimming of the whole track - all units simultaneously
Suitable for NANO units & LED units with dimming option only



All the connections have to be made before powering up,
otherwise the luminaires could be seriously damaged

Last update : 2025.07.04





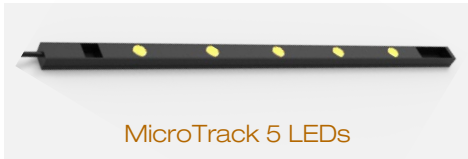
MicroTrack Nano Simple • LL



MicroTrack 2 LEDs



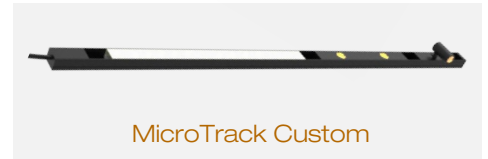
MicroTrack 3 LEDs



MicroTrack 5 LEDs



MicroTrack Linear



MicroTrack Custom

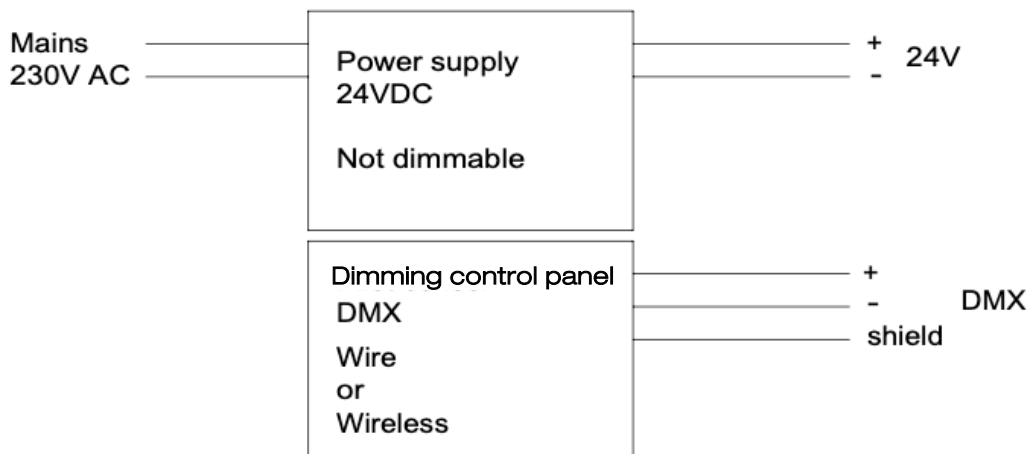
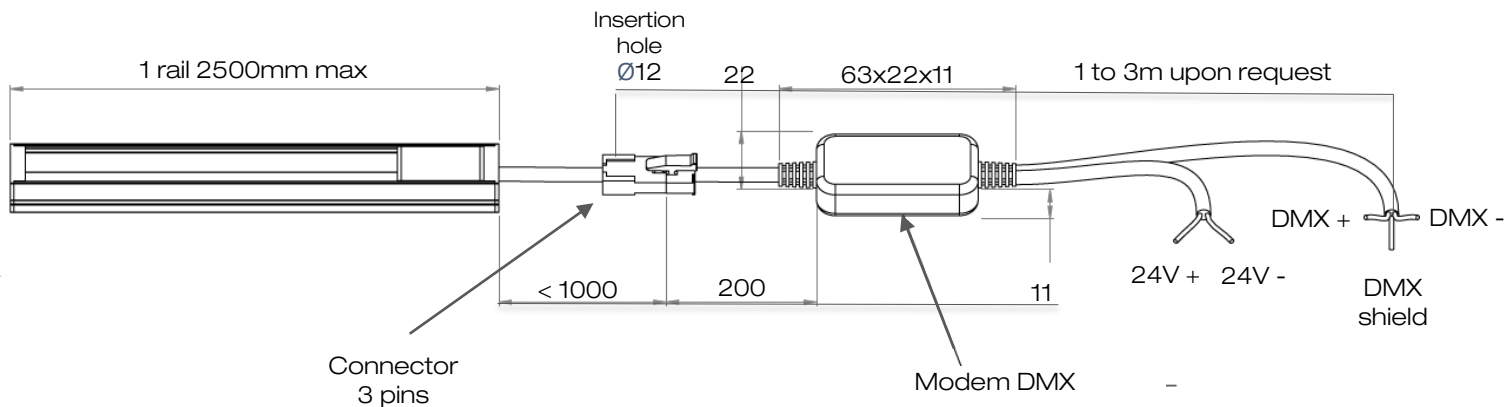
MICROTRACK

Wiring system
Dimmable version • 24V DMX

Independent dimming of each unit

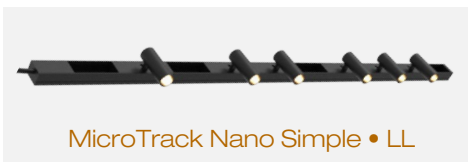
1 unit = 1 DMX address

10 DMX drivers max. per track



All the connections have to be made before powering up, otherwise the luminaires could be seriously damaged

Last update : 2025.07.04



MicroTrack Nano Simple • LL



MicroTrack 2 LEDs



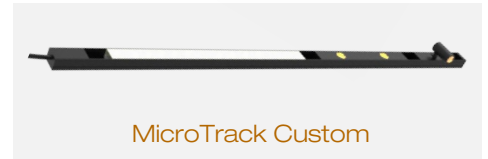
MicroTrack 3 LEDs



MicroTrack 5 LEDs



MicroTrack Linear

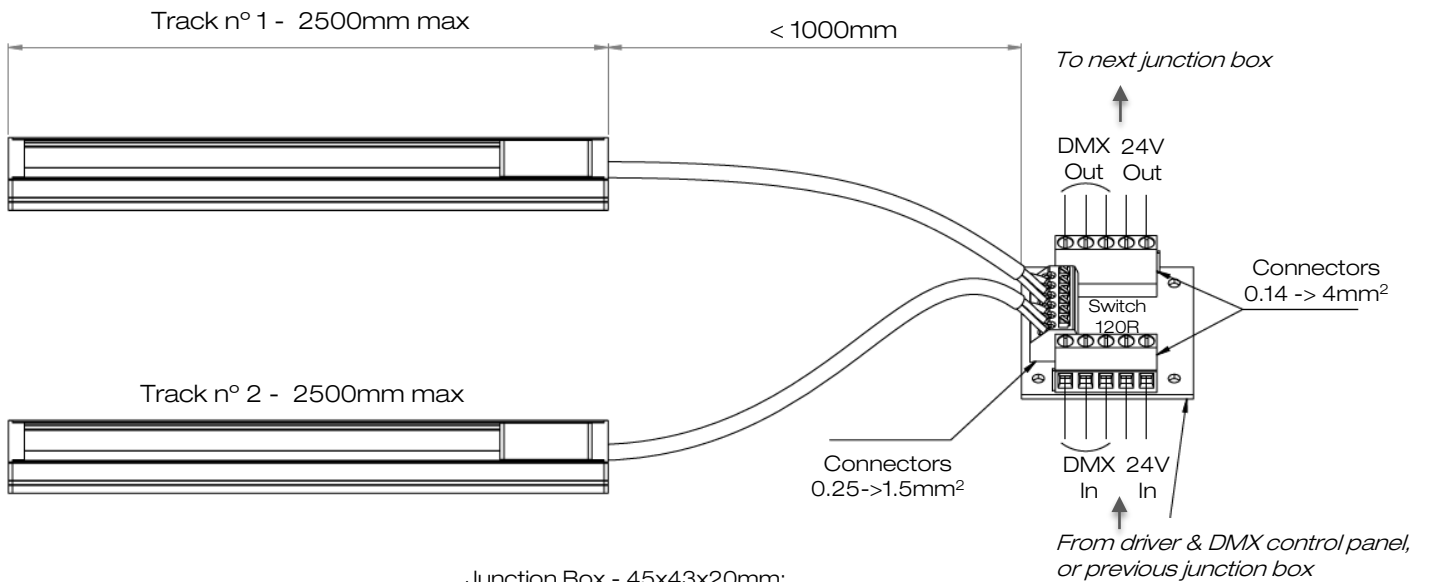


MicroTrack Custom

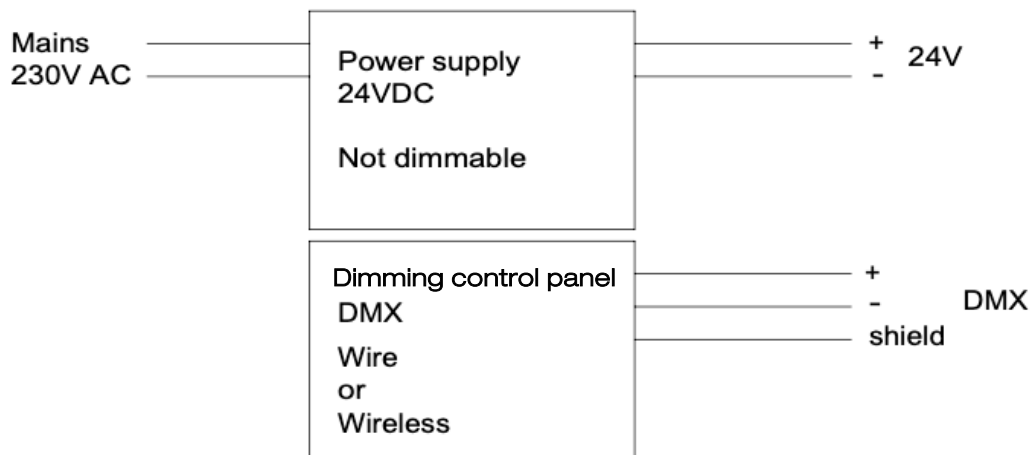
MICROTRACK

Wiring system
Dimmable version • 24V DMX

Independent dimming of each unit
1 unit = 1 DMX address
Daisy Chain - 10 DMX drivers max. per track



- Junction Box - 45x43x20mm:
- DMX Modem for 2 tracks
 - 1 DMX output
 - Terminal 120R selectable by switch



All the connections have to be made before powering up,
otherwise the luminaires could be seriously damaged

Last update : 2025.07.04