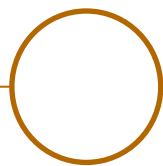


LOUSS

Lighting Emotion

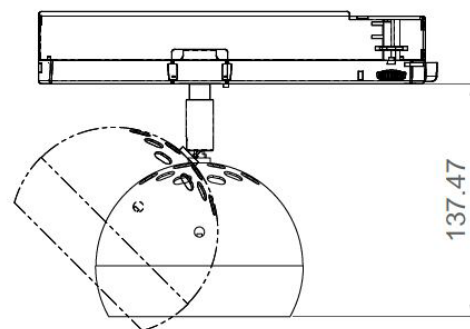
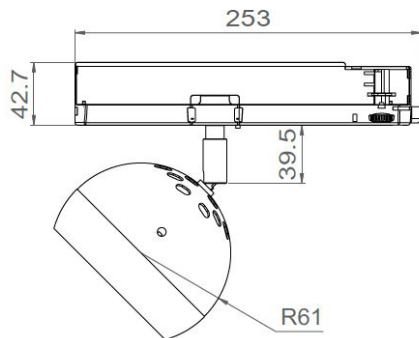


ONE

The satellite-like spotlight

Designed by Benoit LALLOZ





ONE

Range	Accent or ambient lighting luminaire Designed by Benoit LALLOZ
Description	Steel body To be mounted on track
Finish	Painted or satin-brushed metal finish body
Dimensions	External diameter : 110mm Spotlight height : 137.5mm 180.2mm (driver included)
Net weight	0.869 kg (without driver)
LED characteristics	6 LEDs – 3000K – 4000K (other upon request)
Optical beams	6° - 15° - 35° (other upon request)
Connection	Universal adapter with 3 switches
Power supply	700mA max. integrated constant current driver
Power	350mA : 7.2W 500mA : 10.8W 700mA : 15W
Electric class	II
Use limitations	The product must be installed into a ventilated area. Any use with an ambient temperature higher than the specified ambient temperature (Ta) would lead to a more rapid mortality of the product and the withdrawal of our guarantees. The drivers, if not delivered by LOuss, must be approved before use.
Warranty	Life span: L80B10 at 50,000 hours (80% remaining flux) at 25°C ambient temperature. 3-year parts and labour warranty. The warranty does not apply to products that have been opened, modified or repaired and does not cover the effects of a wrong connection, careless, abusive handling, overvoltage, lighting injury, as well as the normal wear of the product. All products are electrically tested and received a functional burn-in.

All the connections have to be made before powering up,
otherwise the luminaires could be seriously damaged.

LOuss

Last update : 2025.06.26

2/2

BEST SAS, Capital 200 000€
RCS Dijon B 408 483 485
TVA/VAT n° : FR94 408 483 485
APE 2612Z

Tel. : +33 380 48 65 68
contact@louss.fr
www.louss.fr
Best & LOuss

Siège social / Head Office
PA Les Terres d'Or
Route de Saint Philibert
21220 Gevrey Chambertin - FRANCE