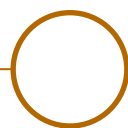


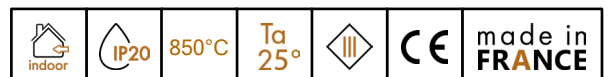
# LOUSS

Lighting Emotion



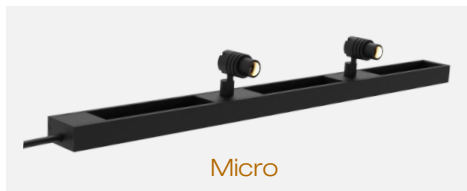
## MINITRACK

The multipurpose minitrack

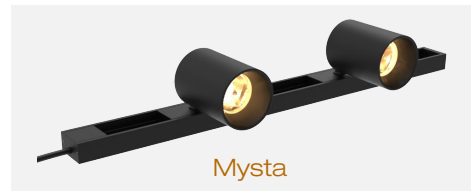




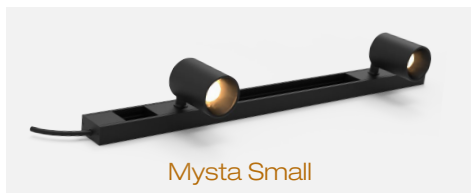
Aurore D22



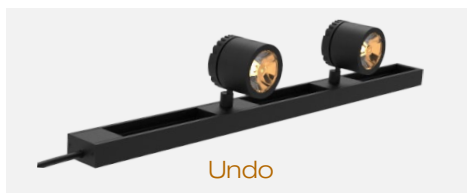
Micro



Mysta



Mysta Small



Undo



V25

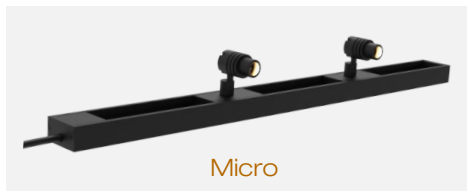
## MINITRACK

<b>Range</b>	Luminaires on track for ambient or accent lighting	
<b>Description</b>	<p>Track 4 conductors 5A max - 24V - 120W max. + 2 PWM channels</p> <p>3 possibilities of fixing devices : magnets, adhesive tape, screws (not supplied)</p> <p>Equipped with <b>AURORE D22</b>, <b>MICRO</b>, <b>MYSTA</b>, <b>MYSTA SMALL</b>, <b>UNDO</b>, <b>V25</b> spotlights, or a combination of any of these luminaires with a maximum of 1 kg of luminaires per meter of track</p> <p><b>MYSTA</b> : Easily changeable LED, optics and accessories on site, without any tool, with optional integrated <b>Easy Swap</b> system (see page 8)</p>	
<b>Finish</b>	<p><b>Track</b> : Black or natural anodized</p> <p><b>Micro, Undo, V25</b> : Black or natural anodized</p> <p><b>Aurore D22, Mysta</b> : Black RAL 9005 or White RAL 9003 (other upon request)</p>	
<b>Dimensions Spotlights</b>	<b>AURORE D22</b>	<b>MICRO</b>
	Diameter : 22mm Length : 50mm Plug-in module : 45mm	Diameter : 17mm Length : 18mm (Simple) 24.5mm (Low Luminance) Plug-in module : 45mm
	<b>MYSTA</b>	<b>MYSTA SMALL</b>
	Diameter : 46mm Length : 64mm Plug-in module : 58mm	Diameter : 35mm Length : 49mm Plug-in module : 58mm
	<b>UNDO</b>	<b>V25</b>
	Diameter : 39.50mm Length : 37.10mm (Simple) 40.40mm (Simple+accessories) 52.10mm (Low Luminance) 55.40mm (L.L + accessories) Plug-in module : 45mm	Diameter : 25mm Length : 37mm Plug-in module : 45mm
<b>Dimensions Track</b>	<p>Width : 29mm</p> <p>Height : 16mm</p> <p>Length : 100mm to 2500mm according to version (30mm used by the connecting end cap and the end caps)</p>	
<b>LED characteristics</b>	<p>2200K - 2700K - 3000K - 3500K - 4000K - 5000K (other upon request)</p> <p>CRI 90 - 95</p> <p>R9&gt;80</p>	

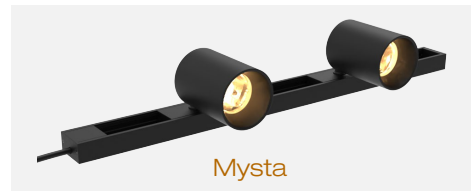
All the connections have to be made before powering up, otherwise the luminaires could be seriously damaged



Aurore D22



Micro



Mysta



Mysta Small



Undo



V25

## MINITRACK

<b>Optics</b>	<b>AURORE D22</b>		<b>MICRO</b>	
	10° - 15° - 20° - 25° - 40° - Elliptical		16° - 20° - 40° - 65° - 17°x49°	
	<b>MYSTA</b>		<b>MYSTA SMALL</b>	
	11° - 16° - 20° - 23° - 34° - 43°		15° - 25° - 35°	
	<b>UNDO</b>		<b>V25</b>	
	3° - 6° - 11° - 17° - 20° - 25° - 30° - 40° - 60° Asymmetrical	CRI 92	10° - 12° - 18° - 24° - 36° - 40° - 54° - 60° - Elliptical Caution: The luminous border is poorly defined with 10° or 12° optics	
		CRI 95	15° - 17° - 25° - 31° - 36° - 40° - 57° Elliptical	
<b>Accessories</b>	Filters, honeycomb grid upon request			
<b>LED Power</b>	<b>AURORE D22</b>		<b>MICRO</b>	
	1.70W max.		1.70W max.	
	<b>MYSTA</b>		<b>MYSTA SMALL</b>	
	10W max.		4W or 5W max. according to version	
	<b>UNDO</b>		<b>V25</b>	
	8W max.		2.70W max.	
<b>Connection</b>	Supplied with 0.5m cable (more length upon request)			
<b>Separate power supply</b>	24V remote constant current driver with PWM (2 channels) For the US & Canada, use UL class 2 driver			
<b>Use limitations</b>	The product must be installed into a ventilated area Any use with an ambient temperature higher than the specified ambient temperature (Ta) would lead to a more rapid mortality of the product and the withdrawal of our guarantees The drivers, if not delivered by LOuss, must be approved before use IP rating : 20			
<b>Warranty</b>	Life span: L80B10 at 50,000 hours (80% remaining flux) at 25°C ambient temperature 3-year parts and labour warranty The warranty does not apply to products that have been opened, modified or repaired and does not cover the effects of a wrong connection, careless, abusive handling, overvoltage, lighting injury, as well as the normal wear of the product All products are electrically tested and received a functional burn-in			

All the connections have to be made before powering up,  
otherwise the luminaires could be seriously damaged

Creation : 2026.10.17 / Last update : 2026.04.08

LOuss

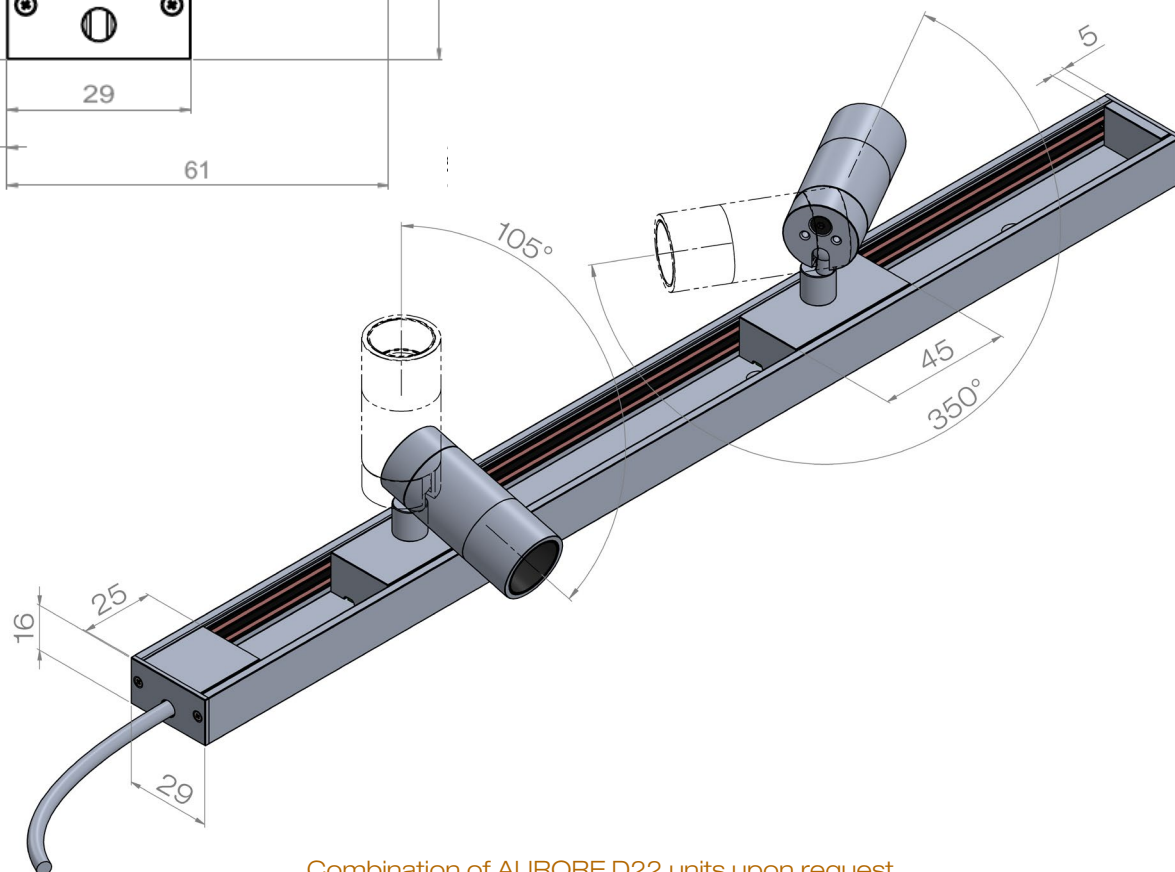
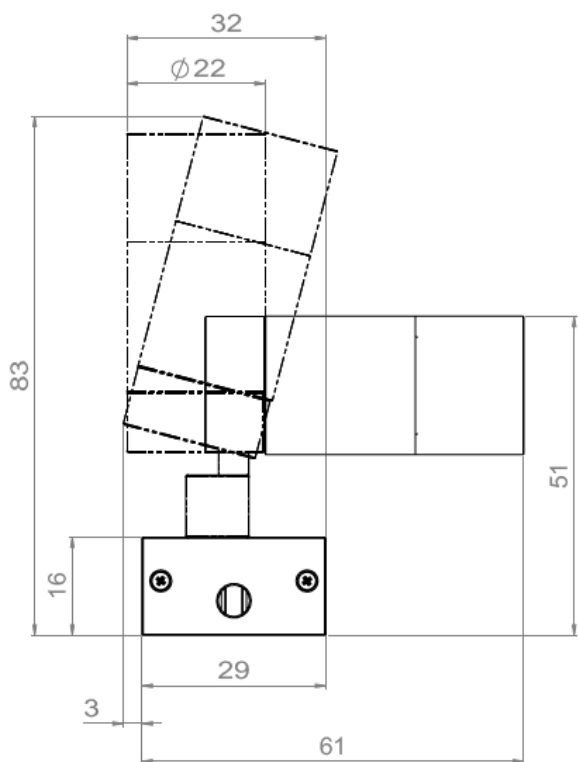
BEST SAS, Capital 200 000€  
RCS Dijon B 408 483 485  
TVA/VAT n° : FR94 408 483 485  
APE 2612Z

Tel. : +33 380 48 65 68  
contact@louss.fr  
www.louss.fr  
Best & LOuss

Siège social / Head Office  
PA Les Terres d'Or  
Route de Saint Philibert  
21220 Gevrey Chambertin - FRANCE



## MINITRACK AURORE D22



Combinaison de AURORE D22 unités upon request  
Up to 120W on 2500mm max. 24V track

All the connections have to be made before powering up,  
otherwise the luminaires could be seriously damaged

Creation : 2026.10.17 / Last update : 2026.04.08

LOUSS

BEST SAS, Capital 200 000€  
RCS Dijon B 408 483 485  
TVA/VAT n° : FR94 408 483 485  
APE 2612Z

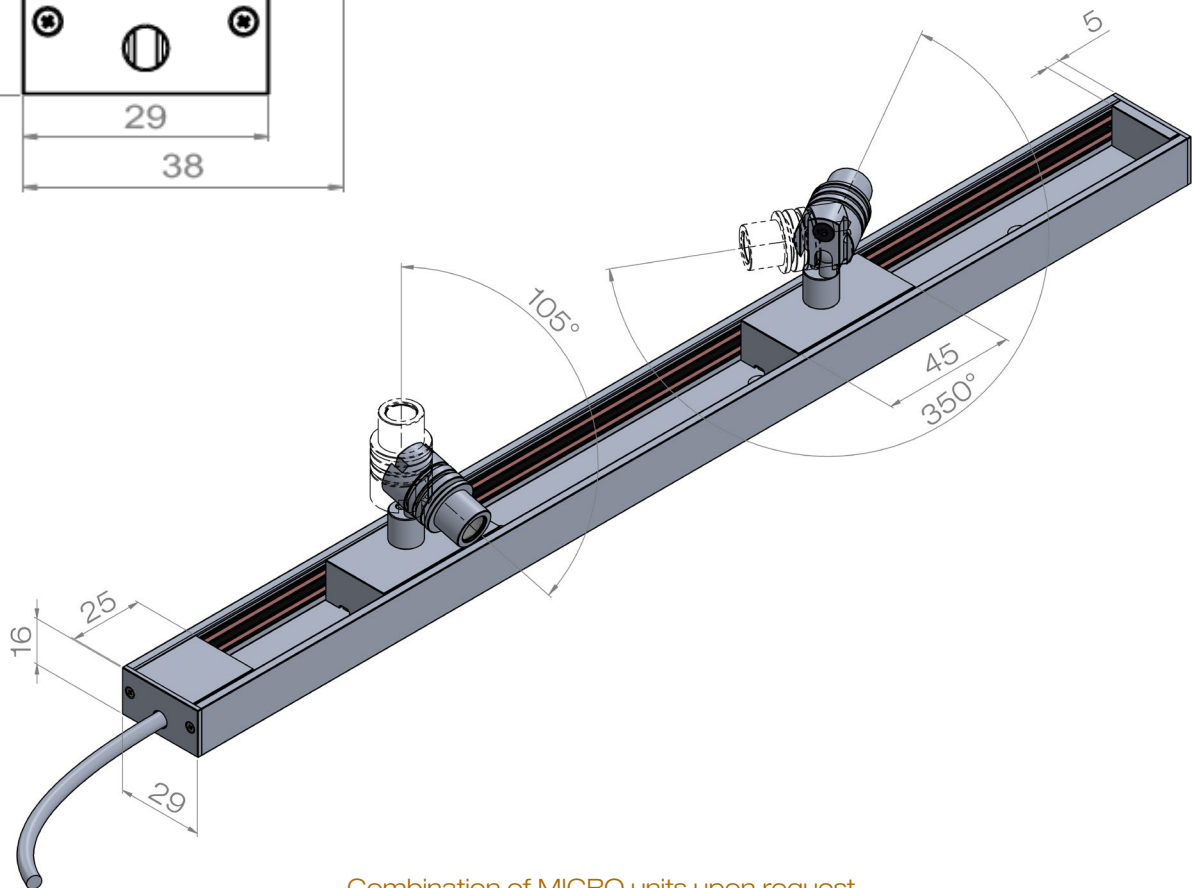
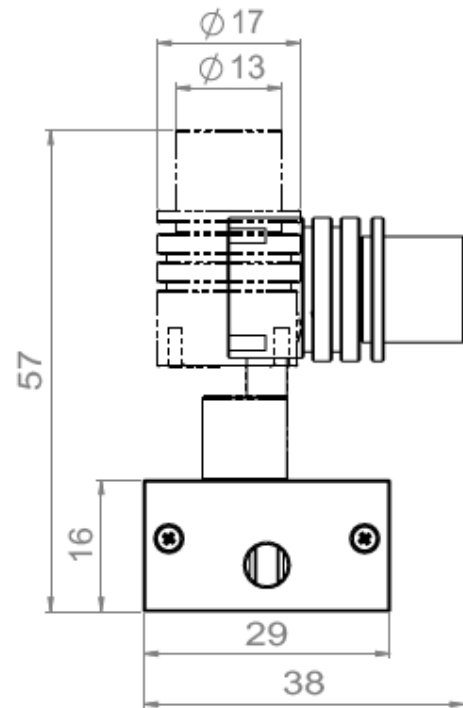
Tel. : +33 380 48 65 68  
contact@louss.fr  
[www.louss.fr](http://www.louss.fr)  
Best & LOUSS

Siège social / Head Office  
PA Les Terres d'Or  
Route de Saint Philibert  
21220 Gevrey Chambertin - FRANCE



# MINITRACK MICRO

Simple version



Combination of MICRO units upon request  
Up to 120W on 2500mm max. 24V track

All the connections have to be made before powering up,  
otherwise the luminaires could be seriously damaged

Creation : 2026.10.17 / Last update : 2026.04.08

LOUSS

BEST SAS, Capital 200 000€  
RCS Dijon B 408 483 485  
TVA/VAT n° : FR94 408 483 485  
APE 2612Z

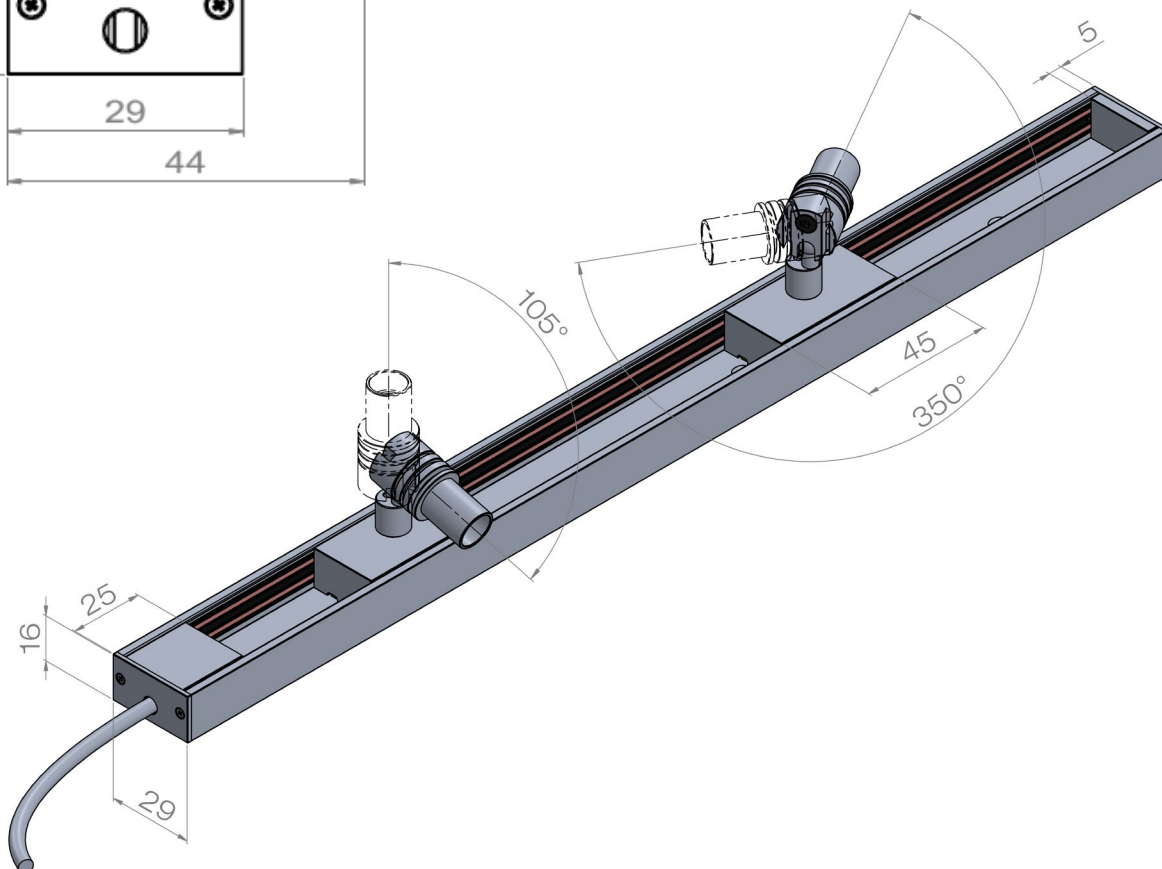
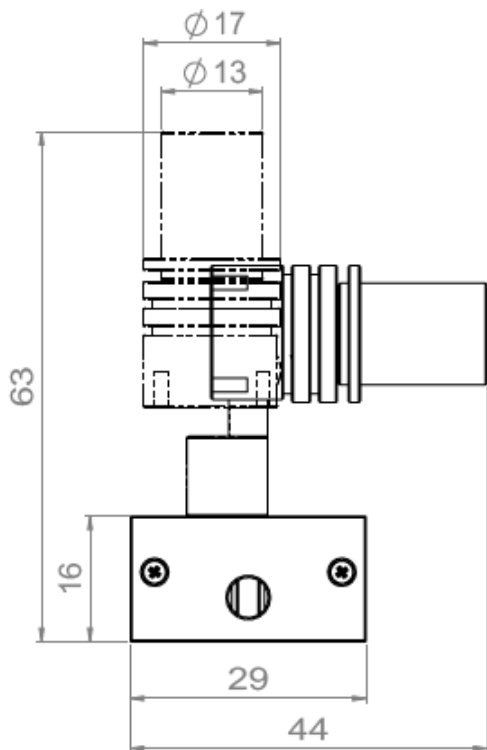
Tel. : +33 380 48 65 68  
contact@louss.fr  
www.louss.fr  
Best & LOUSS

Siège social / Head Office  
PA Les Terres d'Or  
Route de Saint Philibert  
21220 Gevrey Chambertin - FRANCE



## MINITRACK MICRO

Low Luminance version



Combination of MICRO units upon request  
Up to 120W on 2500mm max. 24V track

All the connections have to be made before powering up,  
otherwise the luminaires could be seriously damaged

Creation : 2026.10.17 / Last update : 2026.04.08

LOUSS

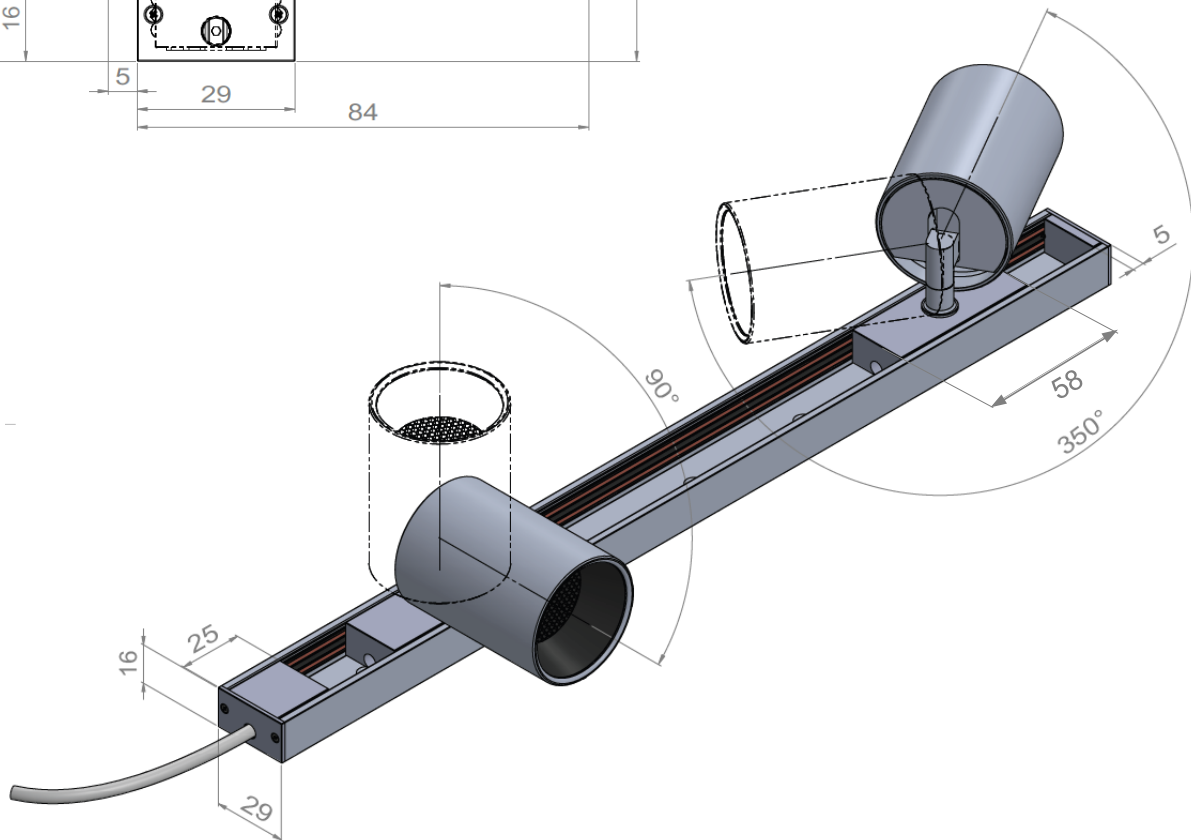
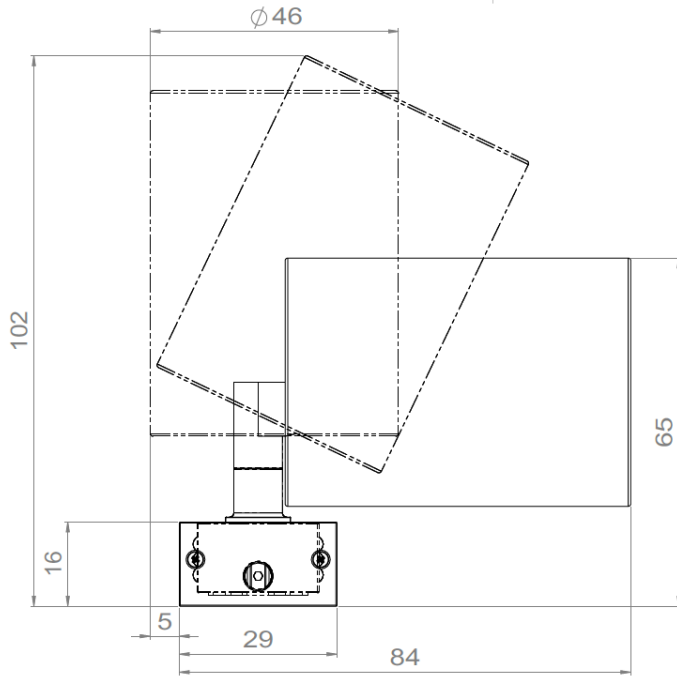
BEST SAS, Capital 200 000€  
RCS Dijon B 408 483 485  
TVA/VAT n° : FR94 408 483 485  
APE 2612Z

Tel. : +33 380 48 65 68  
contact@louss.fr  
www.louss.fr  
Best & LOUSS

Siège social / Head Office  
PA Les Terres d'Or  
Route de Saint Philibert  
21220 Gevrey Chambertin - FRANCE



## MINITRACK MYSTA



Combination of MYSTA units upon request  
Up to 120W on 2500mm max. 24V track

All the connections have to be made before powering up,  
otherwise the luminaires could be seriously damaged

Creation : 2026.10.17 / Last update : 2026.04.08

LOUSS

BEST SAS, Capital 200 000€  
RCS Dijon B 408 483 485  
TVA/VAT n° : FR94 408 483 485  
APE 2612Z

Tel. : +33 380 48 65 68  
contact@louss.fr  
[www.louss.fr](http://www.louss.fr)  
Best & LOUSS

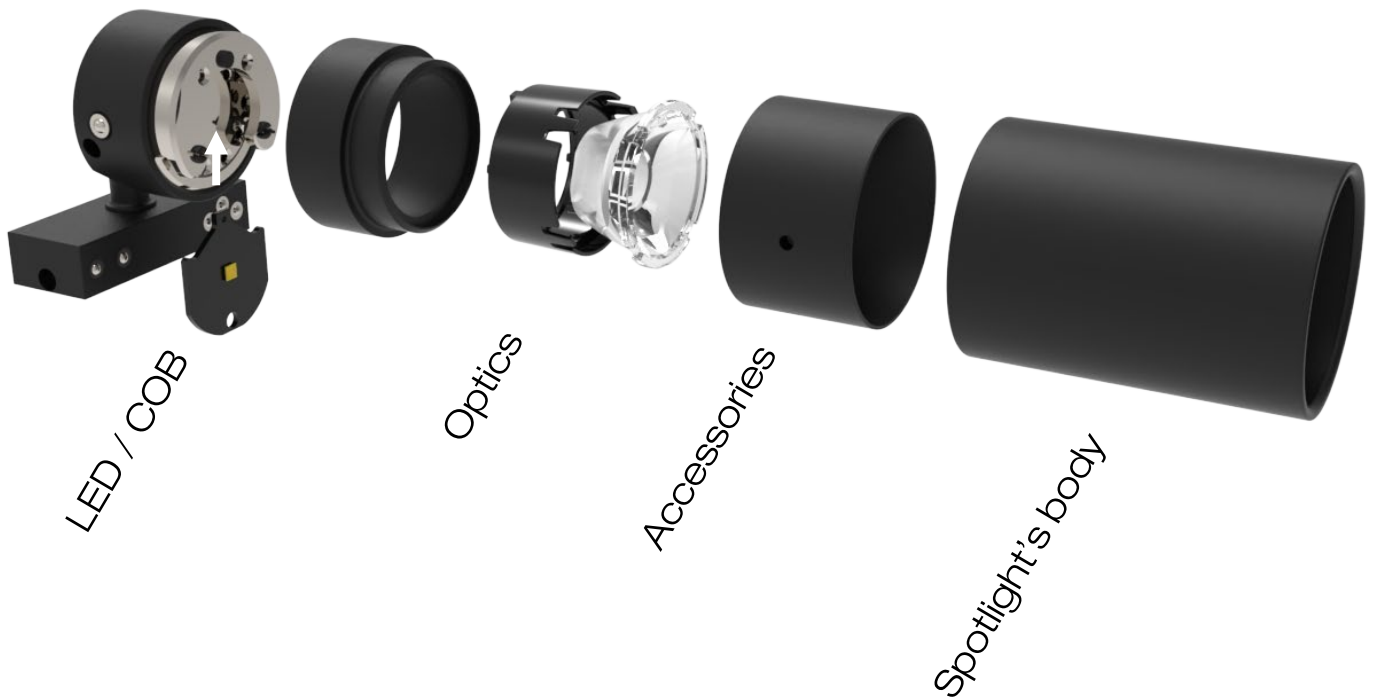
Siège social / Head Office  
PA Les Terres d'Or  
Route de Saint Philibert  
21220 Gevrey Chambertin - FRANCE

7/18



## MINITRACK MYSTA

Easy Swap system



All the connections have to be made before powering up,  
otherwise the luminaires could be seriously damaged

Creation : 2026.10.17 / Last update : 2026.04.08

LOUSS

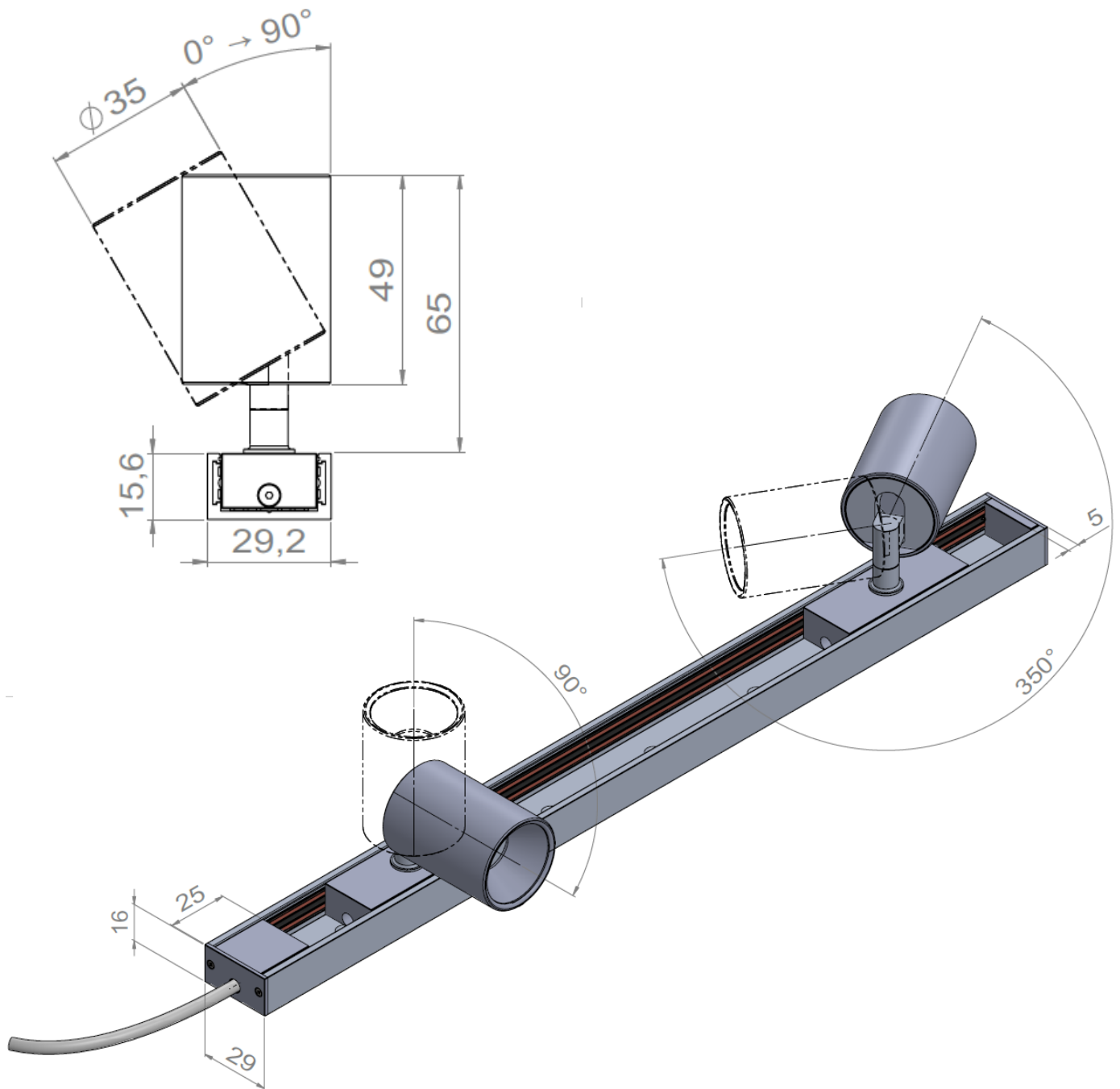
BEST SAS, Capital 200 000€  
RCS Dijon B 408 483 485  
TVA/VAT n° : FR94 408 483 485  
APE 2612Z

Tel. : +33 380 48 65 68  
contact@louss.fr  
[www.louss.fr](http://www.louss.fr)  
Best & LOUSS

Siège social / Head Office  
PA Les Terres d'Or  
Route de Saint Philibert  
21220 Gevrey Chambertin - FRANCE



## MINITRACK MYSTA SMALL



Combination of MYSTA SMALL units upon request  
Up to 120W on 2500mm max. 24V track

All the connections have to be made before powering up,  
otherwise the luminaires could be seriously damaged

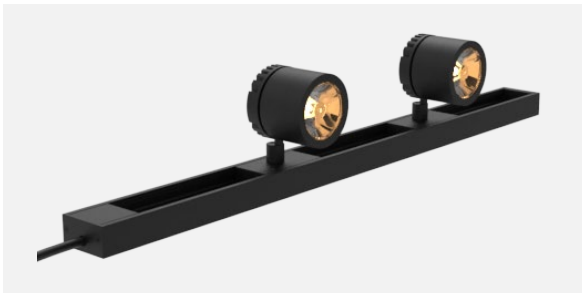
Creation : 2026.10.17 / Last update : 2026.04.08

LOUSS

BEST SAS, Capital 200 000€  
RCS Dijon B 408 483 485  
TVA/VAT n° : FR94 408 483 485  
APE 2612Z

Tel. : +33 380 48 65 68  
contact@louss.fr  
www.louss.fr  
Best & LOUSS

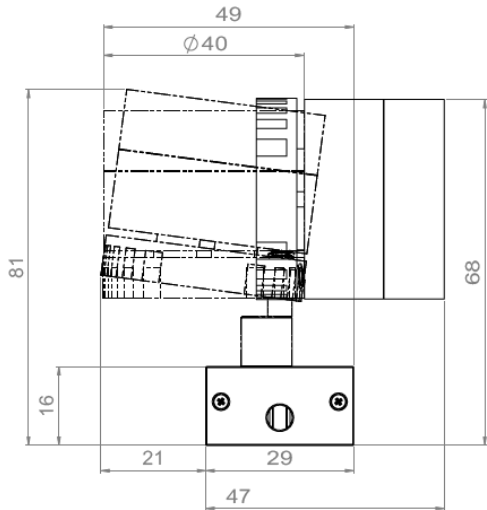
Siège social / Head Office  
PA Les Terres d'Or  
Route de Saint Philibert  
21220 Gevrey Chambertin - FRANCE



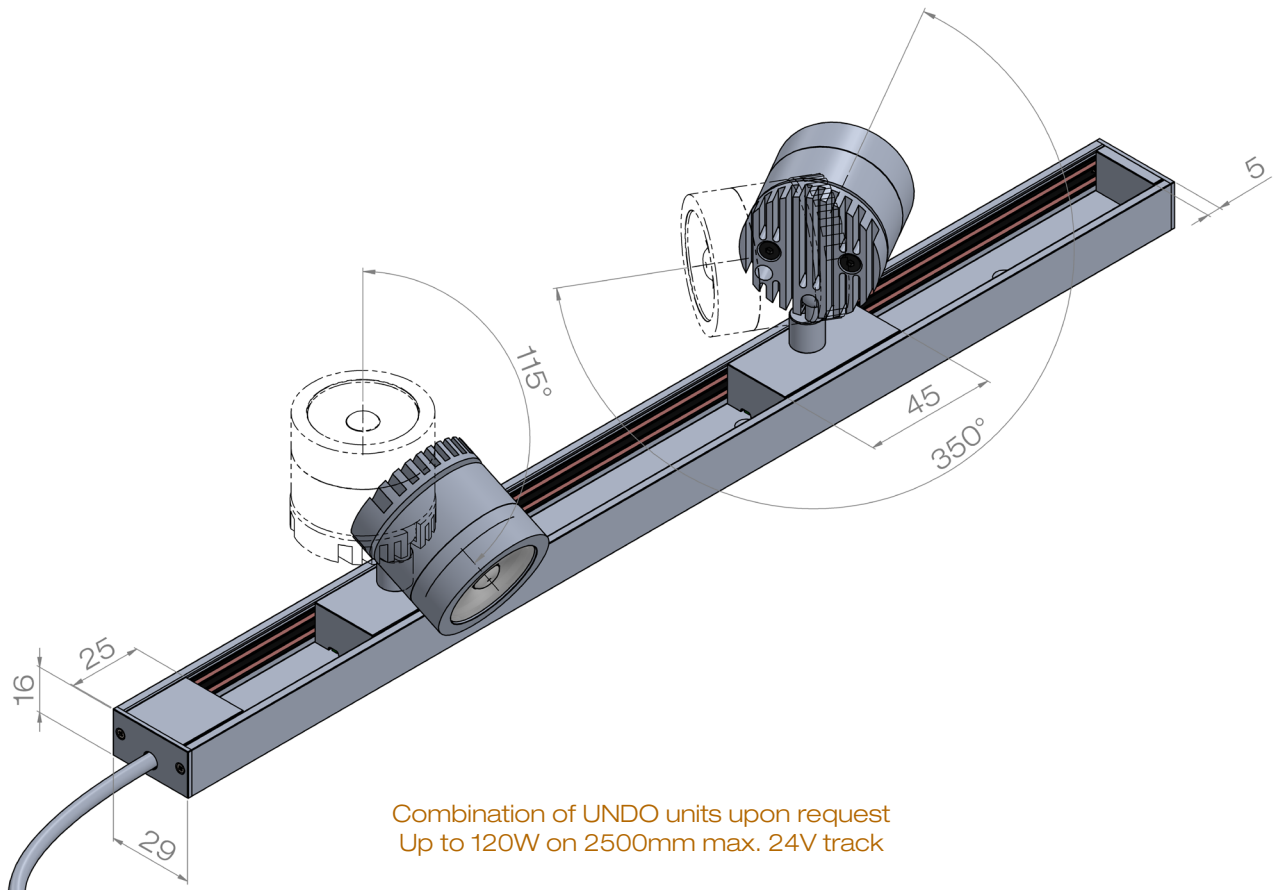
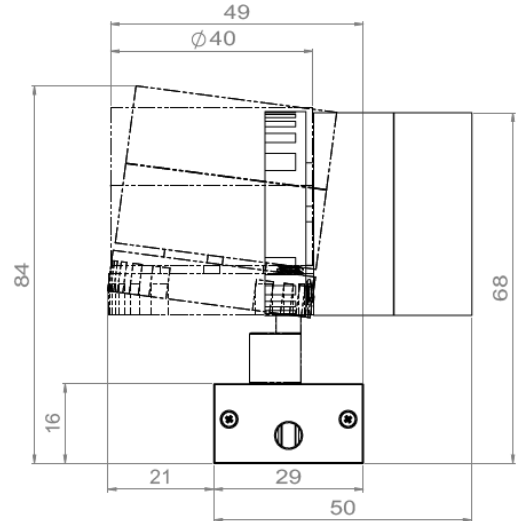
# MINITRACK UNDO

## Simple version

Without accessories



With accessories



Combination of UNDO units upon request  
Up to 120W on 2500mm max. 24V track

All the connections have to be made before powering up,  
otherwise the luminaires could be seriously damaged

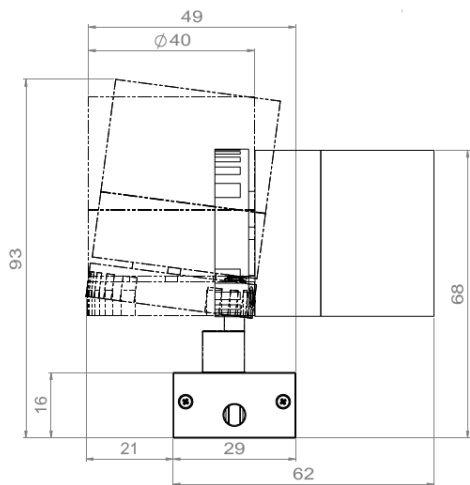
Creation : 2026.10.17 / Last update : 2026.04.08



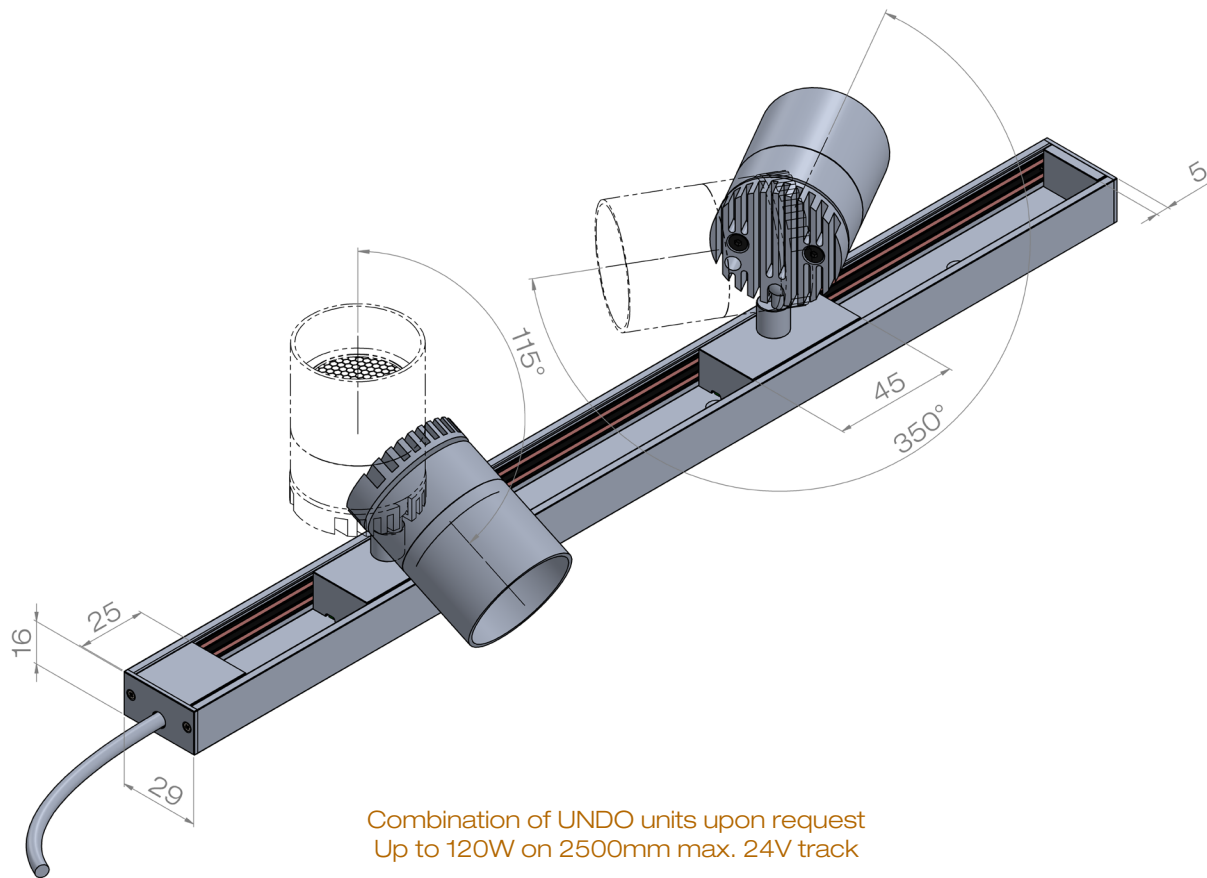
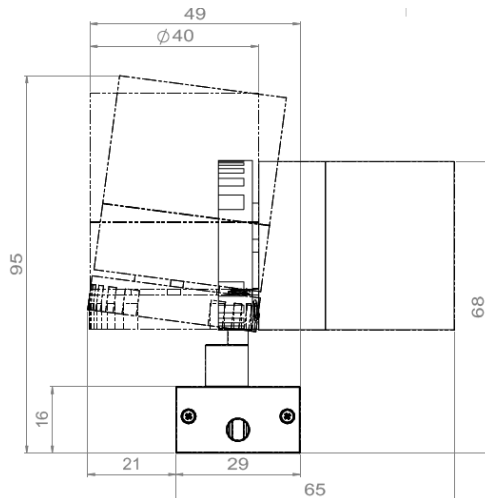
# MINITRACK UNDO

Low Luminance version

Without accessories



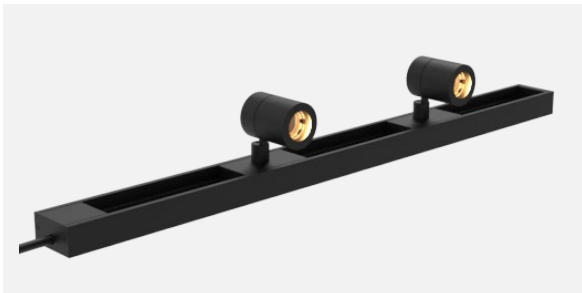
With accessories



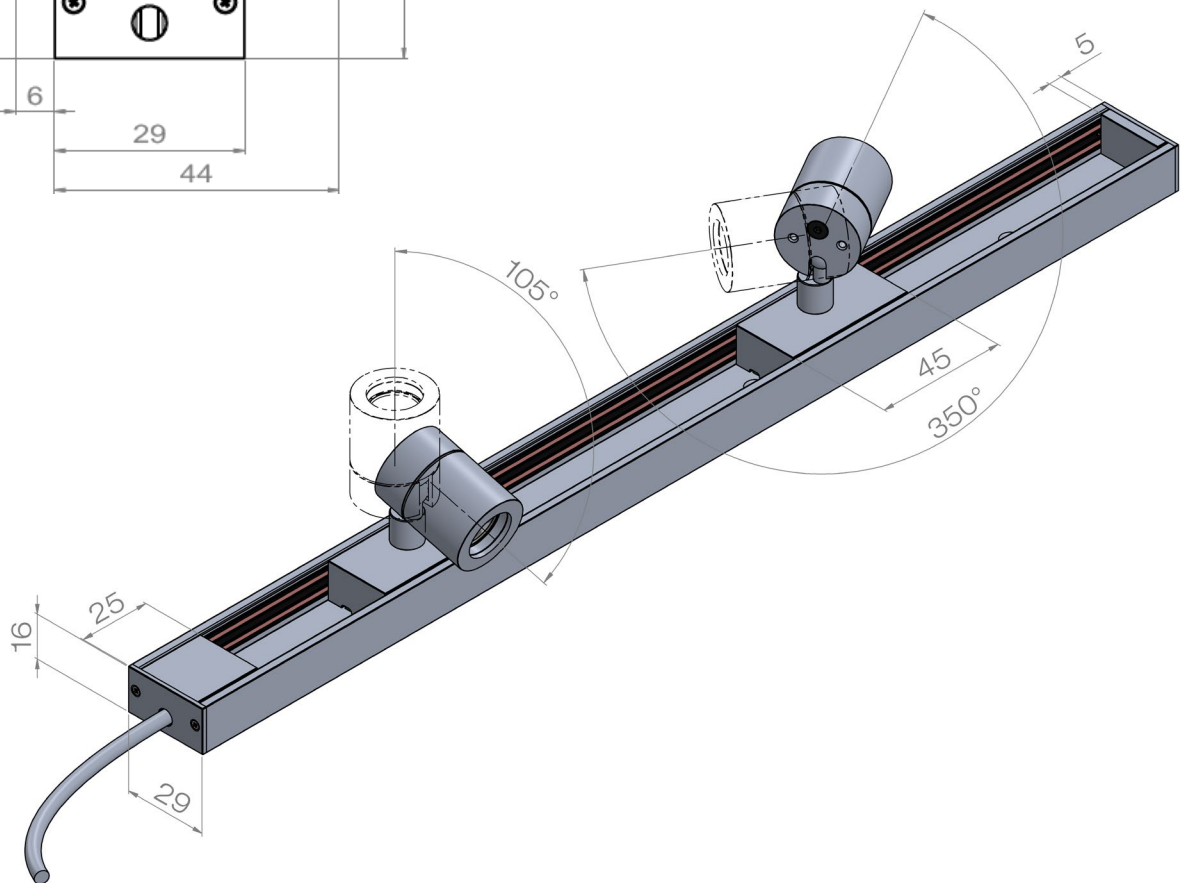
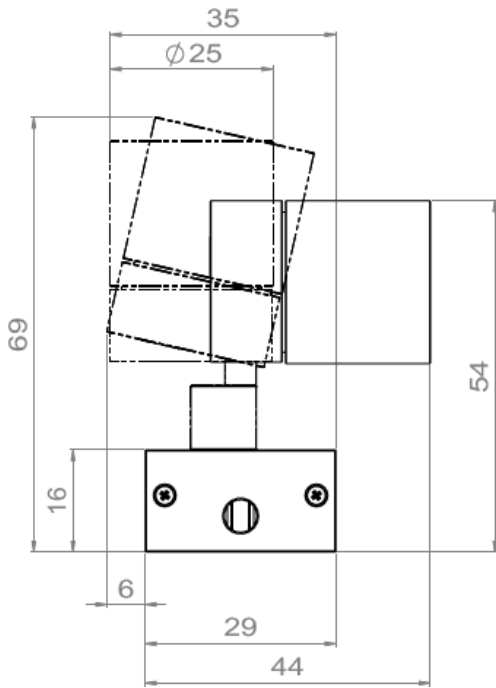
Combination of UNDO units upon request  
Up to 120W on 2500mm max. 24V track

All the connections have to be made before powering up,  
otherwise the luminaires could be seriously damaged

Creation : 2026.10.17 / Last update : 2026.04.08



## MINITRACK V25



Combination of V25 units upon request  
Up to 120W on 2500mm max. 24V track

All the connections have to be made before powering up,  
otherwise the luminaires could be seriously damaged

Creation : 2026.10.17 / Last update : 2026.04.08

LOUSS

BEST SAS, Capital 200 000€  
RCS Dijon B 408 483 485  
TVA/VAT n° : FR94 408 483 485  
APE 2612Z

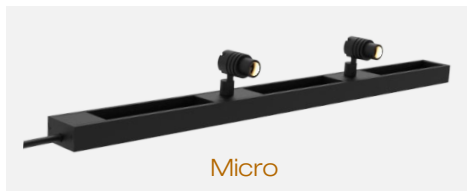
Tel. : +33 380 48 65 68  
contact@louss.fr  
www.louss.fr  
Best & LOUSS

Siège social / Head Office  
PA Les Terres d'Or  
Route de Saint Philibert  
21220 Gevrey Chambertin - FRANCE

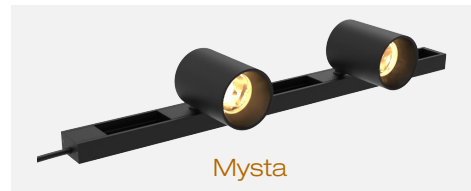
12/18



Aurore D22



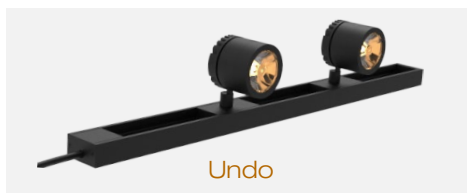
Micro



Mysta



Mysta Small



Undo

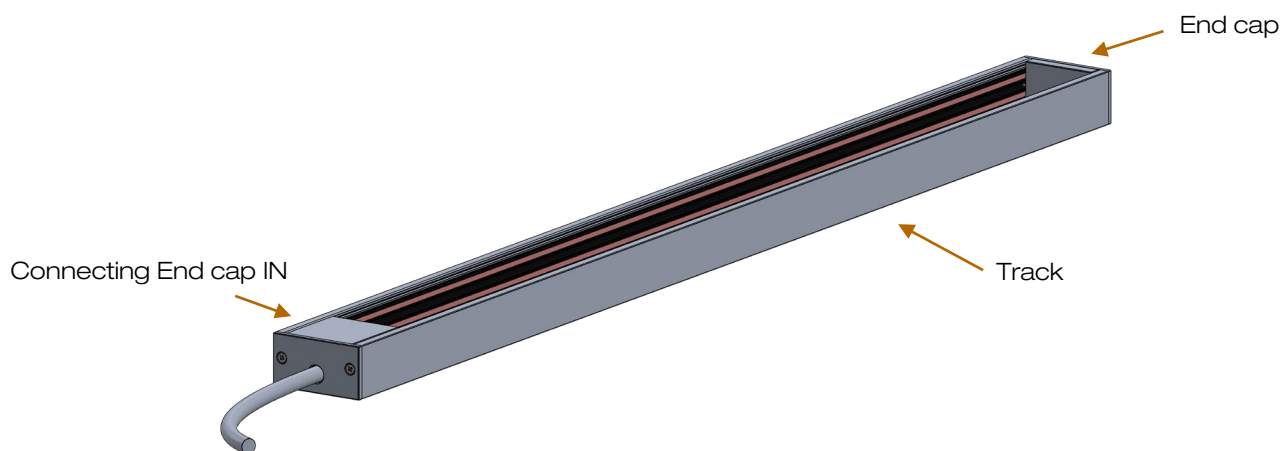


V25

## MINITRACK

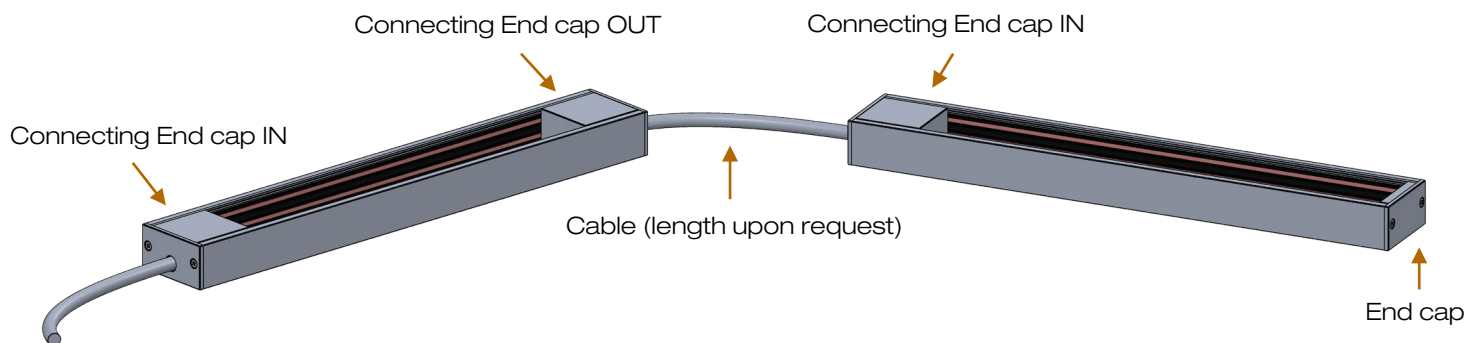
### Individual Track version

1 MiniTrack - 120W max. per connecting end cap



### Daisy Chain version

Various chained MiniTracks - Total : 120W max.



All the connections have to be made before powering up, otherwise the luminaires could be seriously damaged

Creation : 2026.10.17 / Last update : 2026.04.08

LOUSS

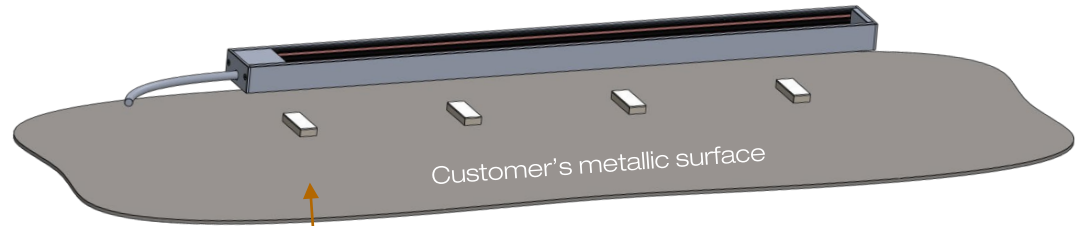
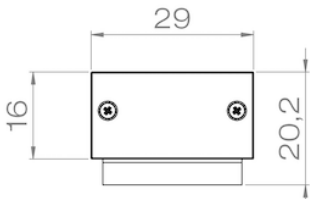
BEST SAS, Capital 200 000€  
RCS Dijon B 408 483 485  
TVA/VAT n° : FR94 408 483 485  
APE 2612Z

Tel. : +33 380 48 65 68  
contact@louss.fr  
www.louss.fr  
Best & LOUSS

Siège social / Head Office  
PA Les Terres d'Or  
Route de Saint Philibert  
21220 Gevrey Chambertin - FRANCE

### 1 Install the track according to version

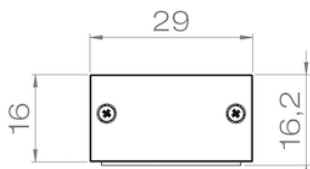
#### Magnetic version



Track equipped with magnets fixed with adhesive tape  
(1 magnet for 100mm)

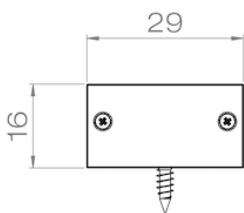
- $Lg \geq 100mm$  = 1 magnet
- $Lg \geq 101mm \leq 200mm$  = 2 magnets
- [...]
- $Lg \geq 2301mm \leq 2400mm$  = 23 magnets
- $Lg \geq 2401mm \leq 2500mm$  = 24 magnets

#### Adhesive tape version



Track equipped with double-side adhesive tape

#### Screw version



Track equipped with screws (not supplied)  
1 screw every 500mm track

- Track = 100mm < 1000mm = 2 screws
- Track > 1001mm < 2000mm = 3 screws
- Track > 2001mm < 2500mm = 4 screws



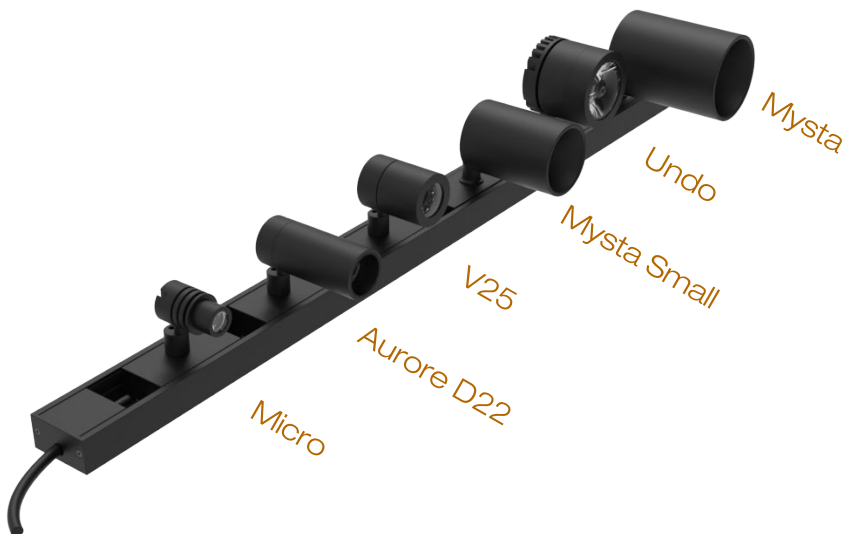
All the connections have to be made before powering up,  
otherwise the luminaires could be seriously damaged

Creation : 2026.10.17 / Last update : 2026.04.08

### 2 Insert each module into the track



### MINITRACK CUSTOM



According to customer's request, combination of :

- MICRO Simple or Low Luminance unit(s)
- AURORE D22 unit(s)
- V25 unit(s)
- UNDO Simple or Low Luminance unit(s)
- MYSTA unit(s)
- MYSTA SMALL unit(s)

Up to 120W on 2500mm max.  
24V track

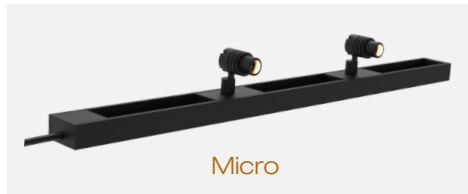
1 kg of luminaires per meter max.

All the connections have to be made before powering up,  
otherwise the luminaires could be seriously damaged

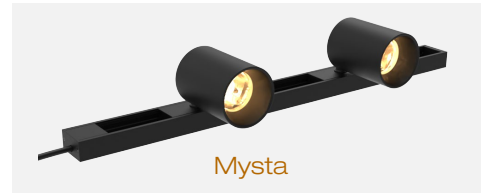
Creation : 2026.10.17 / Last update : 2026.04.08



Aurore D22



Micro



Mysta



Mysta Small



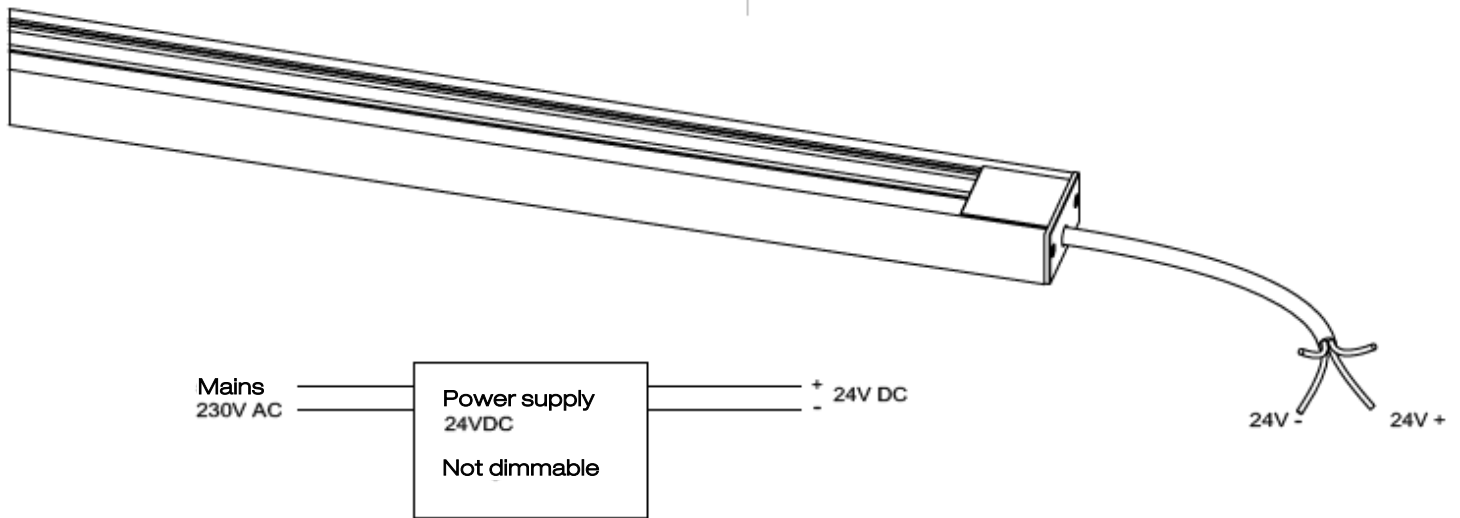
Undo



V25

## MINITRACK

Wiring system  
ON/OFF



All the connections have to be made before powering up,  
otherwise the luminaires could be seriously damaged

Creation : 2026.10.17 / Last update : 2026.04.08

LOUSS

16/18

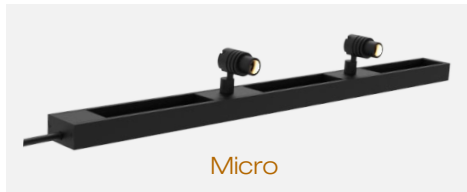
BEST SAS, Capital 200 000€  
RCS Dijon B 408 483 485  
TVA/VAT n° : FR94 408 483 485  
APE 2612Z

Tel. : +33 380 48 65 68  
contact@louss.fr  
[www.louss.fr](http://www.louss.fr)  
Best & LOUSS

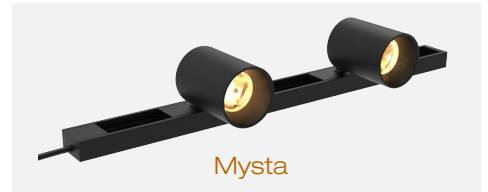
Siège social / Head Office  
PA Les Terres d'Or  
Route de Saint Philibert  
21220 Gevrey Chambertin - FRANCE



Aurore D22



Micro



Mysta



Mysta Small



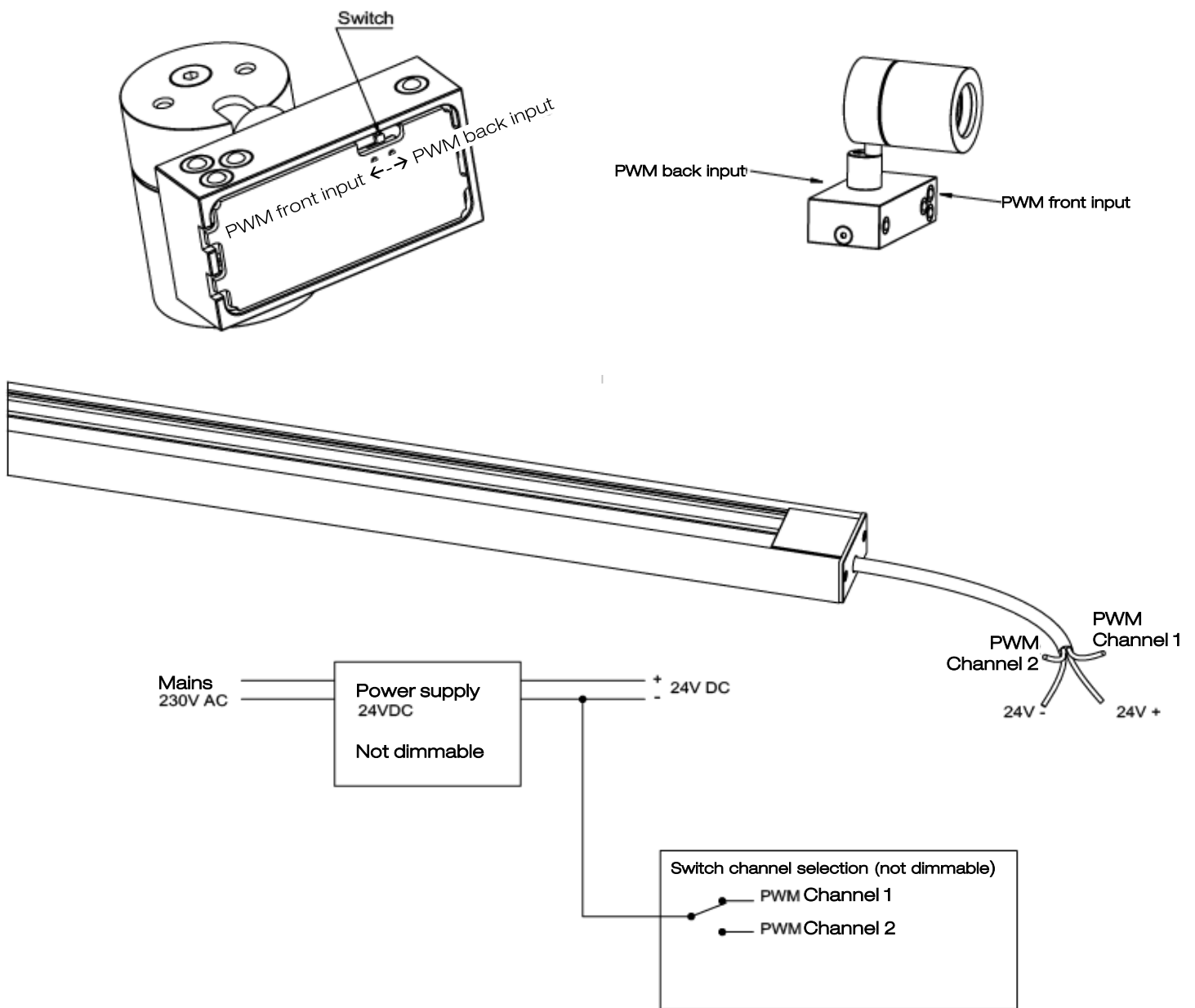
Undo



V25

## MINITRACK

Wiring system  
ON/OFF – Dual circuit switching version



All the connections have to be made before powering up,  
otherwise the luminaires could be seriously damaged

Creation : 2026.10.17 / Last update : 2026.04.08

LOUSS

BEST SAS, Capital 200 000€  
RCS Dijon B 408 483 485  
TVA/VAT n° : FR94 408 483 485  
APE 2612Z

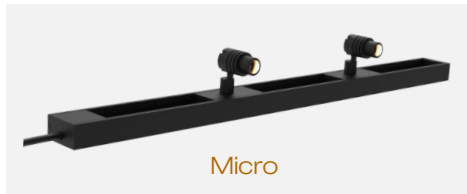
Tel. : +33 380 48 65 68  
contact@louss.fr  
[www.louss.fr](http://www.louss.fr)  
Best & LOUSS

Siège social / Head Office  
PA Les Terres d'Or  
Route de Saint Philibert  
21220 Gevrey Chambertin - FRANCE

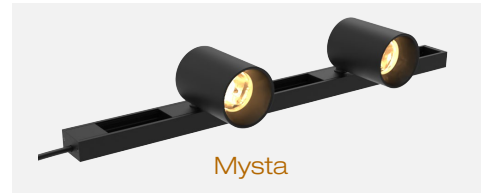
17/18



Aurore D22



Micro



Mysta



Mysta Small



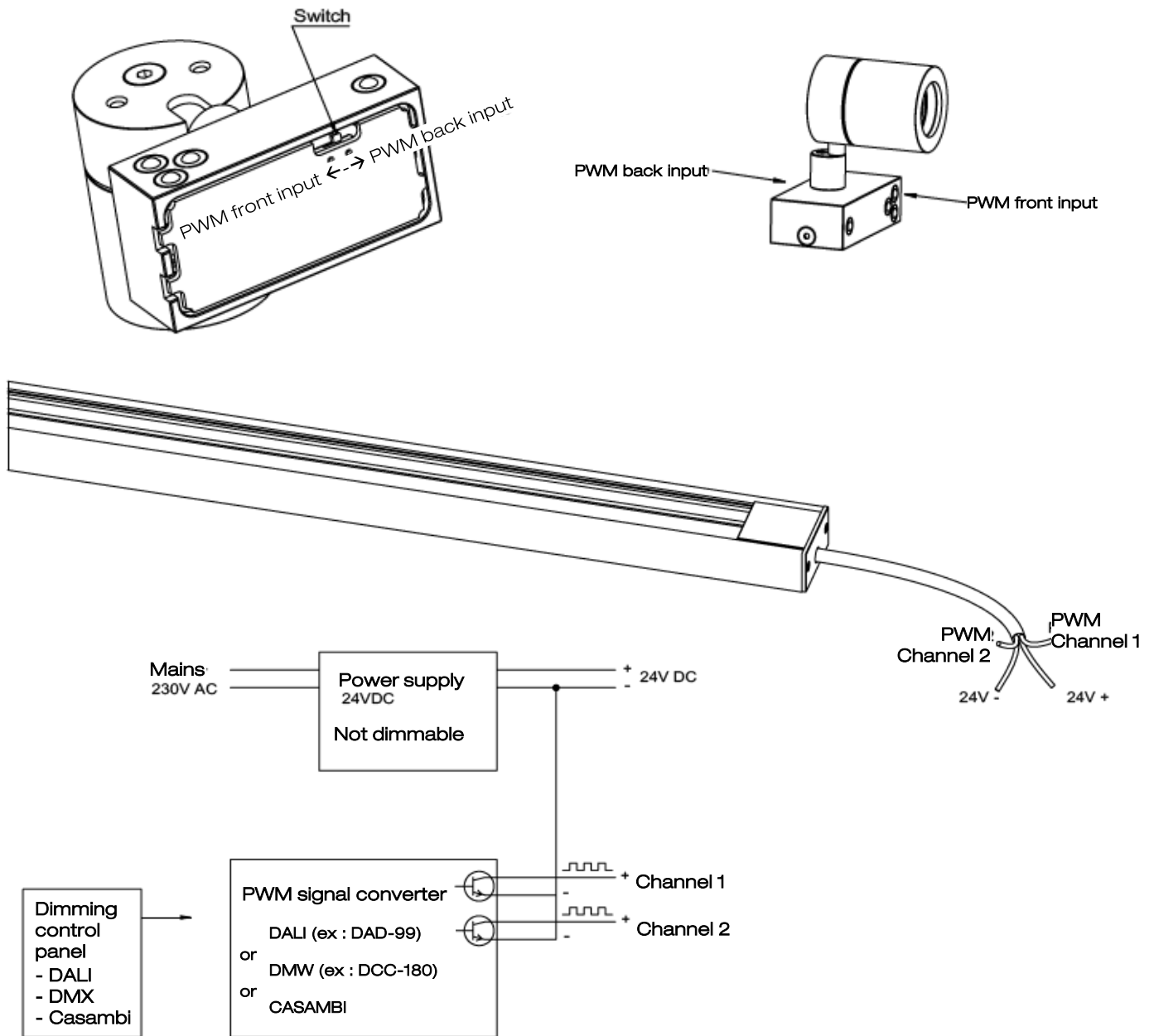
Undo



V25

# MINITRACK

Wiring system  
Dimmable version • PWM



All the connections have to be made before powering up,  
otherwise the luminaires could be seriously damaged

Creation : 2026.10.17 / Last update : 2026.04.08