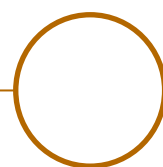
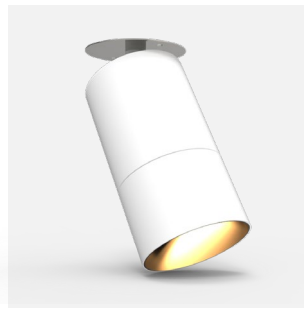


**AURORE D82
WALL-MOUNTED**

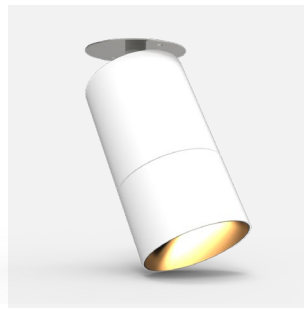




AURORE D82 WALL-MOUNTED • Round • Rectangular • On Plate

Range	Highly adjustable luminaires for general & accent lighting		
Description	Low luminance 1 LED or 3 LEDs versions Rotation 360° - Adjustable tilt 88°		
Finish	White RAL 9003 matt finish Black RAL 9005 matt finish (other upon request)		
Dimensions	Round Wall-Mounted	Rectangular Wall-Mounted	On-Plate
	Spotlight diameter : 52mm Spotlight length : 146mm Box diameter : 52mm	Spotlight diameter : 52mm Spotlight length : 146mm Box dimensions : 81x170mm	Spotlight diameter : 52mm Spotlight length : 146mm Plate diameter : 81mm
	Net weight	0.8kg	1.3 kg
LED characteristics	1 LED		3 LEDs
	2700K – 3000K – 3500K - 4000K – 5000K (other upon request) MacAdam ellipse : 3 SDCM (standard) 2 SDCM (premium)		2700K – 3000K – 3500K - 4000K – 5000K (other upon request) Tunable white version : 3 LED 2700K – 4000K – 6500K RGB version
	CRI 90 (standard) – CRI 95, R9 > 90 (premium)		
Optical beams	1 LED		3 LEDs
	7° - 12° - 15° - 25° - 30° - 40° - Elliptical UGR < 15		20° - 30° UGR < 15
Accessories	Filters, honeycomb grid upon request		
Luminous flux	1 LED		3 LEDs
	1500 to 2500Lm according to version		2300 to 2600 Lm according to version
Connection	1 LED		3 LEDs
	Supplied with 0.5m cable or connectors in the box (except for On-plate version)		Supplied with 0.5m of 8-conductor cable Daisy-chain option : 2 input/output cables for serial wiring
Power supply	All versions (1 LED)	Rectangular W.-M (1 LED)	All versions (3 LEDs)
	Remote constant current driver 1400mA max. according to version Dimmable driver upon request	Constant current driver 700mA max. integrated in the box	Remote constant current DMX driver 700mA max (1A possible with driver flanged at 30W)
	For the US & Canada, use a UL class 2 driver		

All the connections have to be made before powering up, otherwise the luminaires could be seriously damaged



AURORE D82 WALL-MOUNTED • Round • Rectangular • On Plate

Power	1 LED	3 LEDs
	6W to 25W according to version	35W max.
Use limitations	The product must be installed into a ventilated area Any use with an ambient temperature higher than the specified ambient temperature (Ta) would lead to a more rapid mortality of the product and the withdrawal of our guarantees The drivers, if not delivered by LOuss, must be approved before use	
Warranty	Life span: L80B10 at 50,000 hours (80% remaining flux) at 25°C ambient temperature. 3-year parts and labour warranty The warranty does not apply to products that have been opened, modified or repaired and does not cover the effects of a wrong connection, careless, abusive handling, overvoltage, lighting injury, as well as the normal wear of the product All products are electrically tested and received a functional burn-in	

All the connections have to be made before powering up,
otherwise the luminaires could be seriously damaged

LOuss

Last update: 2025.06.13

3/5

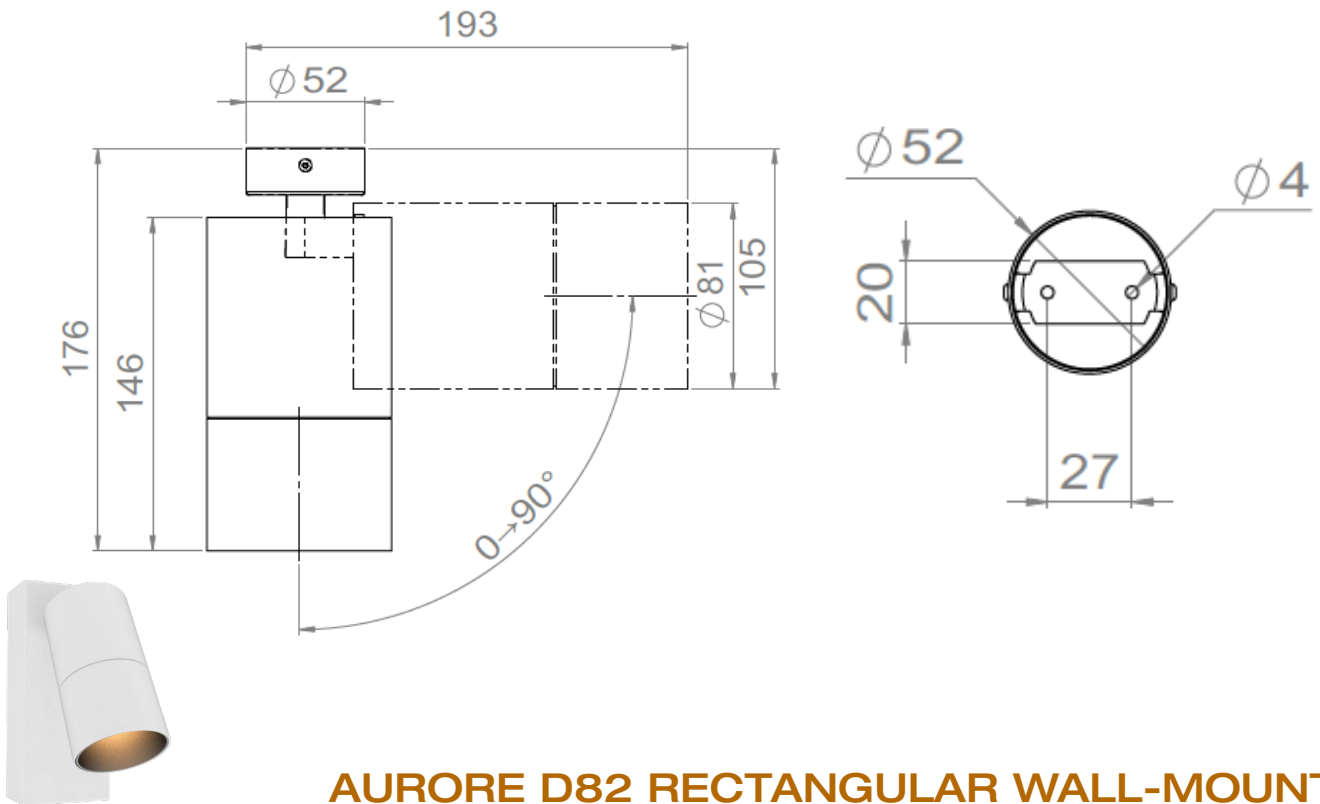
BEST SAS, Capital 200 000€
RCS Dijon B 408 483 485
TVA/VAT n° : FR94 408 483 485
APE 2612Z

Tel. : +33 380 48 65 68
contact@louss.fr
www.louss.fr
Best & LOuss

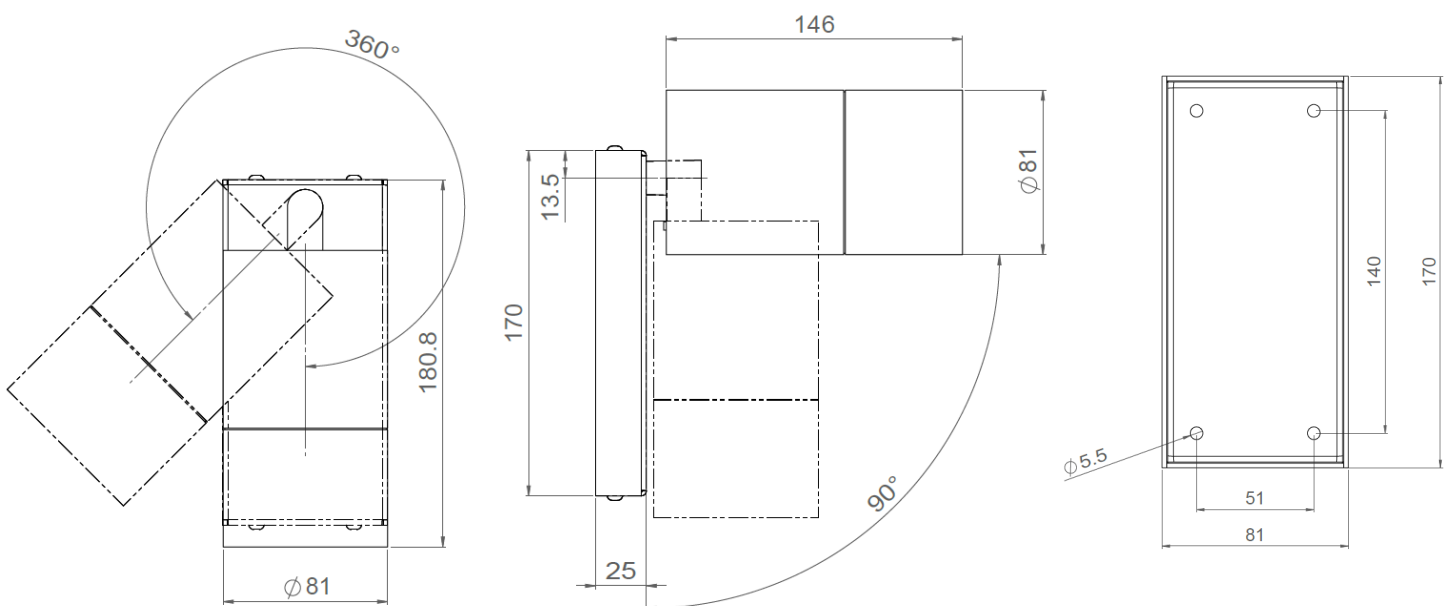
Siège social / Head Office
PA Les Terres d'Or
Route de Saint Philibert
21220 Gevrey Chambertin - FRANCE



AURORE D82 ROUND WALL-MOUNTED



AURORE D82 RECTANGULAR WALL-MOUNTED



All the connections have to be made before powering up,
otherwise the luminaires could be seriously damaged

LOUSS

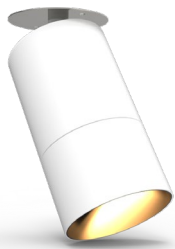
Last update: 2025.06.13

4/5

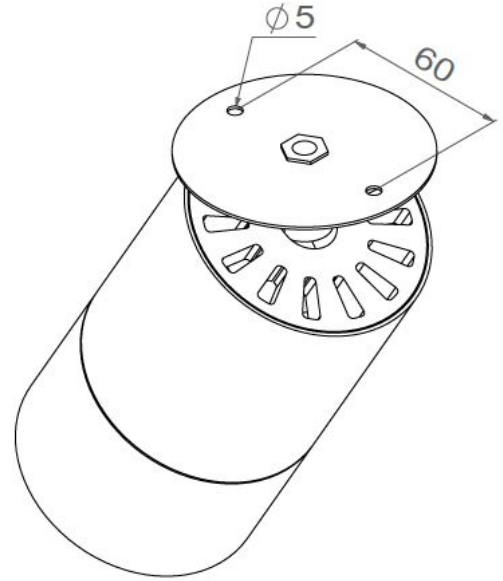
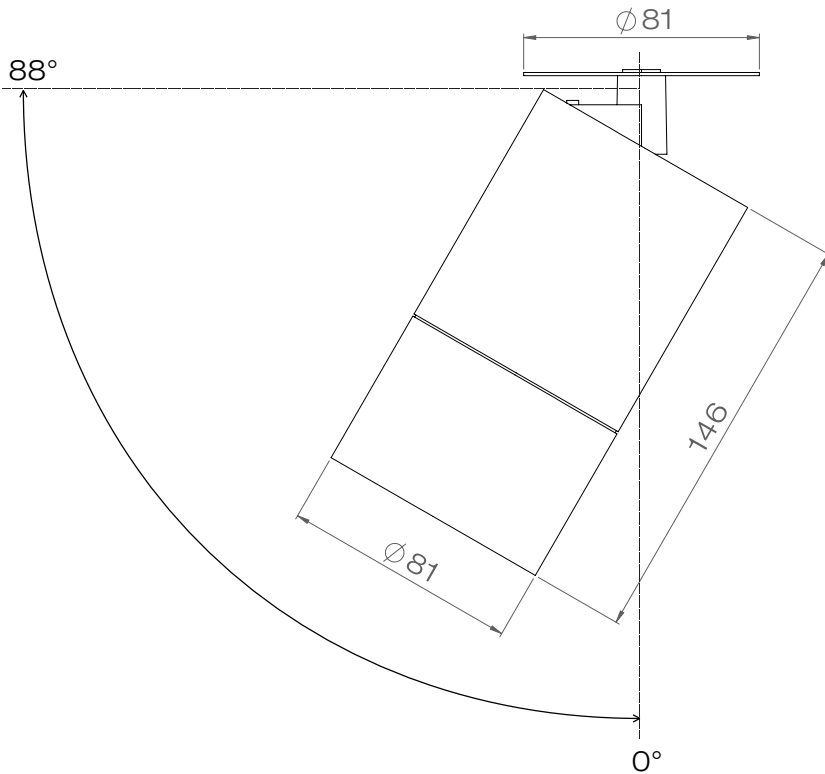
BEST SAS, Capital 200 000€
RCS Dijon B 408 483 485
TVA/VAT n° : FR94 408 483 485
APE 2612Z

Tel. : +33 380 48 65 68
contact@louss.fr
www.louss.fr
Best & LOUSS

Siège social / Head Office
PA Les Terres d'Or
Route de Saint Philibert
21220 Gevrey Chambertin - FRANCE



AURORE D82 ON-PLATE



All the connections have to be made before powering up,
otherwise the luminaires could be seriously damaged

Last update: 2025.06.13

5/5

LOUSS

BEST SAS, Capital 200 000€
RCS Dijon B 408 483 485
TVA/VAT n° : FR94 408 483 485
APE 2612Z

Tel. : +33 380 48 65 68
contact@louss.fr
www.louss.fr
Best & LOUSS

Siège social / Head Office
PA Les Terres d'Or
Route de Saint Philibert
21220 Gevrey Chambertin - FRANCE