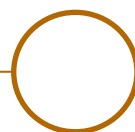




# AURORE D75 RECESSED





## AURORE D75 • Trimless • Trimless Wall-Washer • Trimless Flush

<b>Range</b>	Highly adjustable recessed ceiling downlight for general & accent lighting		
<b>Description</b>	Low luminance Rotation 360° Trimless : Adjustable tilt 30° Trimless Wall-Washer : Adjustable tilt 35° Trimless Flush : Adjustable tilt 20°		
<b>Finish</b>	White RAL 9003 matt finish Black RAL 9005 matt finish (other upon request)		
<b>Dimensions</b>	<b>Trimless</b>	<b>Trimless Wall Washer</b>	<b>Trimless Flush</b>
	Spotlight diameter 75mm	Spotlight diameter 75mm	Spotlight diameter 75mm
	Recessed frame diameter 118mm	Recessed frame diameter 118mm	Recessed frame diameter 135mm
	Installation diameter 118mm	Installation diameter 118mm	Installation diameter 135mm
	Installation depth 46mm	Installation depth 46mm	Installation depth 100mm
<b>Net weight</b>	0.5 kg		
<b>LED characteristics</b>	2700K – 3000K – 3500K - 4000K (other upon request) CRI 90 R9 >50 CRI 95 R9 >80 CRI 97 R9 >90		
<b>Optical beams</b>	6° - 12° - 15° -20° - 25° - 30° - 35° - 40° - 60° - Elliptical UGR < 15		
<b>Accessories</b>	Filters, honeycomb grids upon request		
<b>Luminous flux</b>	600 to 2,000 lumen according to version		
<b>Connection</b>	Supplied with 0.5m cable		
<b>Power supply</b>	700mA max. constant current driver according to version Dimmable driver upon request		
<b>Power</b>	6W to 25W according to version		

All the connections have to be made before powering up, otherwise the luminaires could be seriously damaged



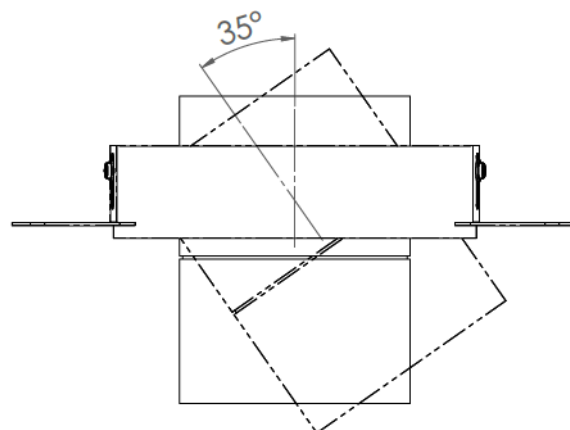
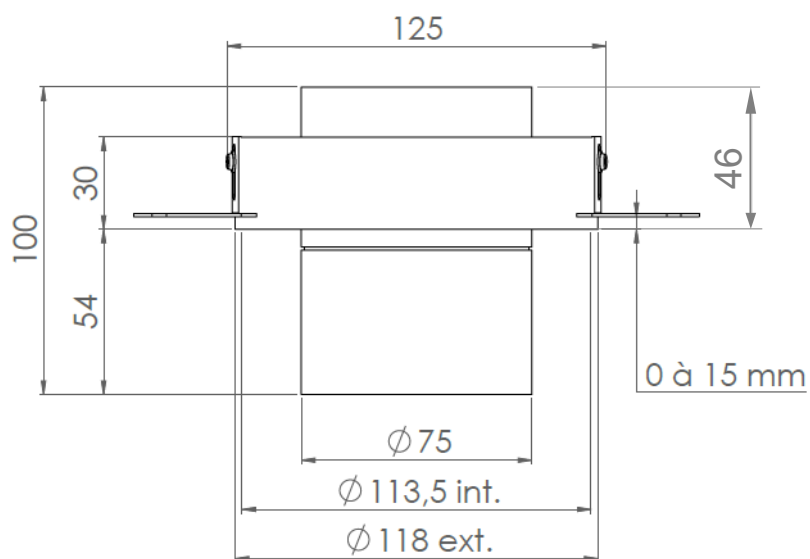
## AURORE D75 • Trimless • Trimless Wall-Washer • Trimless Flush

<b>Use limitations</b>	<p>The product must be installed in a ventilated area</p> <p>Any use with an ambient temperature higher than the specified ambient temperature (Ta) would lead to a more rapid mortality of the product and the withdrawal of our guarantees</p> <p>The drivers, if not delivered by LOuss, must be approved before use</p>
<b>Warranty</b>	<p>Life span : L80B10 at 50,000 hours (80% remaining flux) at 25°C ambient temperature. 3-year parts and labour warranty</p> <p>The warranty does not apply to products that have been opened, modified or repaired and does not cover the effects of a wrong connection, careless, abusive handling, overvoltage, lightning injury, as well as the normal wear of the product</p> <p>All products are electrically tested and received a functional burn-in</p>

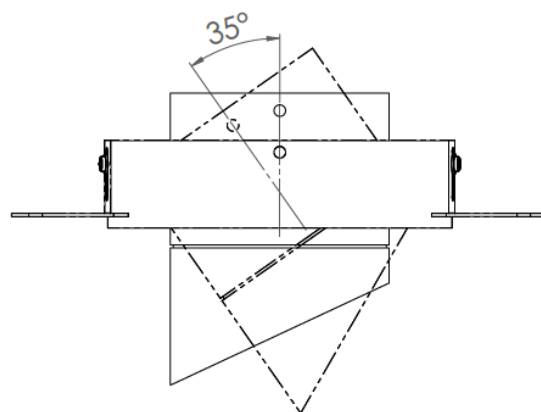
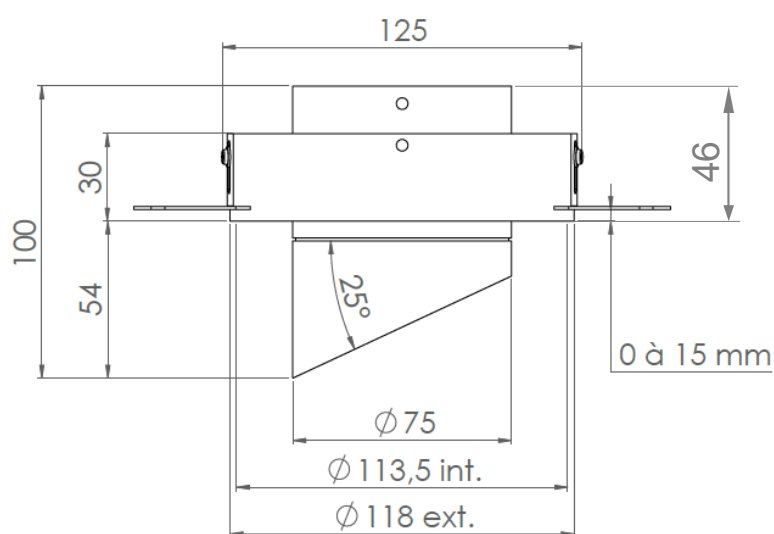
All the connections have to be made before powering up,  
otherwise the luminaires could be seriously damaged



## AURORE D75 TRIMLESS



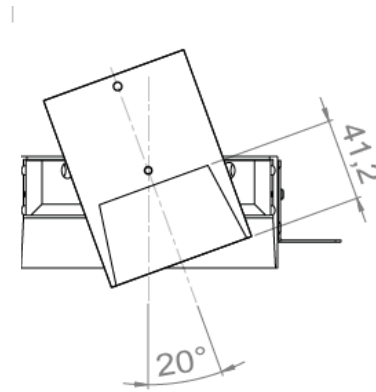
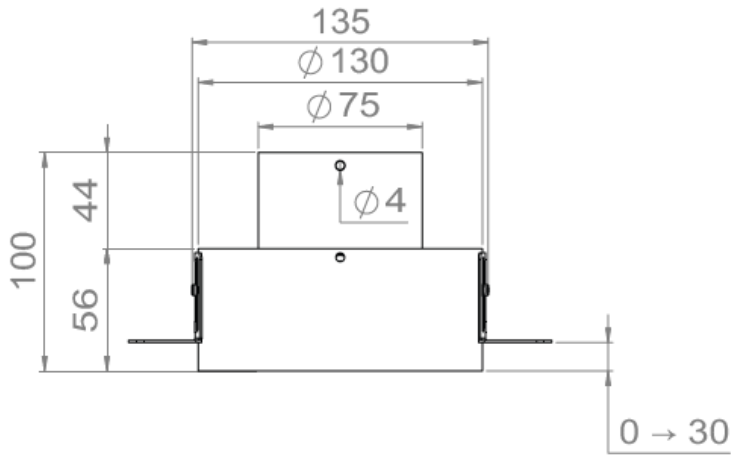
## AURORE D75 TRIMLESS WALL WASHER



All the connections have to be made before powering up,  
otherwise the luminaires could be seriously damaged

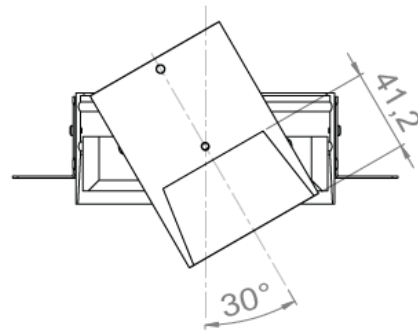
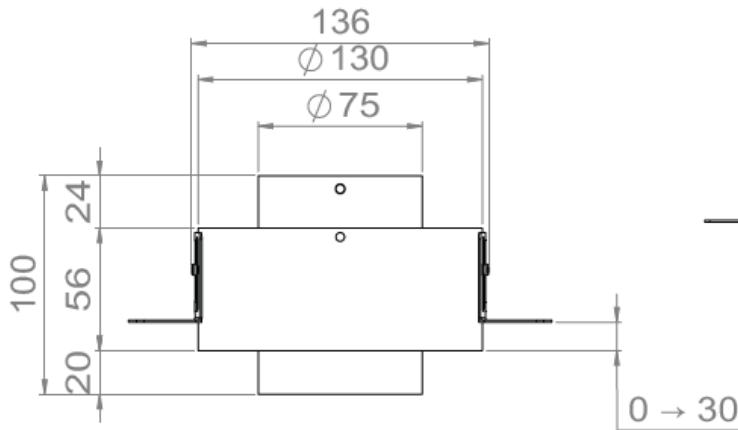


## AURORE D75 TRIMLESS FLUSH



### Upper position

Insert the luminaire into the upper position of the recessed frame to obtain a flush luminaire



### Low position

To obtain 30° orientation angle, insert the luminaire in the lowest position

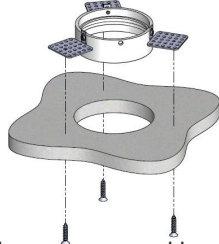
**WARNING :**  
in this position, the spotlight cannot flush with the ceiling

All the connections have to be made before powering up,  
otherwise the luminaires could be seriously damaged

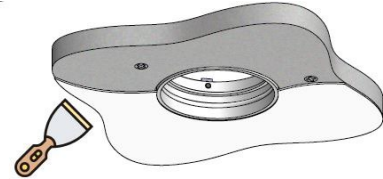


## AURORE D75 • Trimless • Trimless Wall-Washer • Trimless Flush

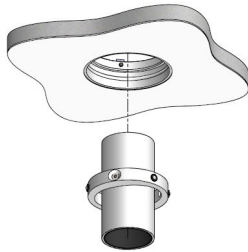
### Installation from above



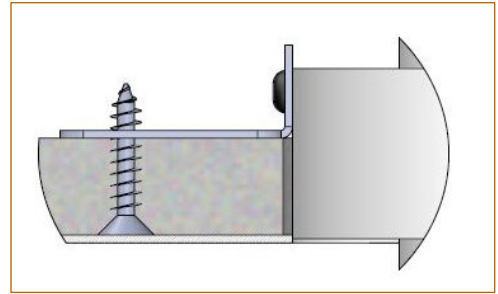
Install the recessed box from above and screw it into the surface



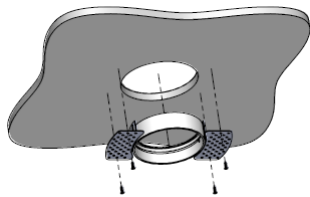
Cover the lateral plates of the recessed box by coating and painting



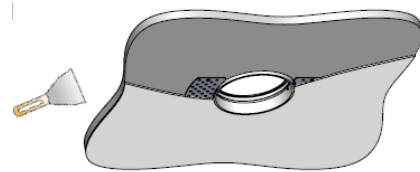
Insert the spotlight from below



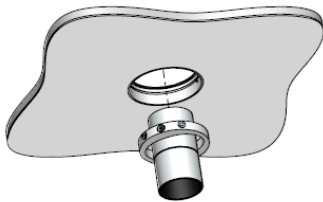
### Installation from below



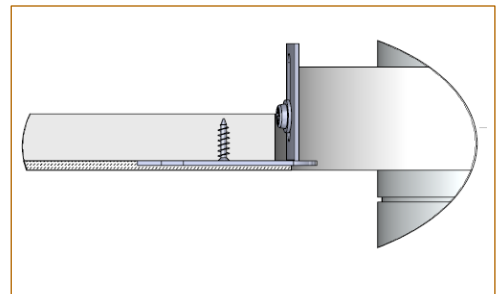
Install the recessed box from below and screw it into the surface



Cover the lateral plates of the recessed box by coating and painting



Insert the spotlight from below



All the connections have to be made before powering up, otherwise the luminaires could be seriously damaged