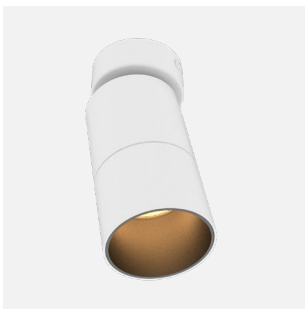


AURORE D60 WALL-MOUNTED



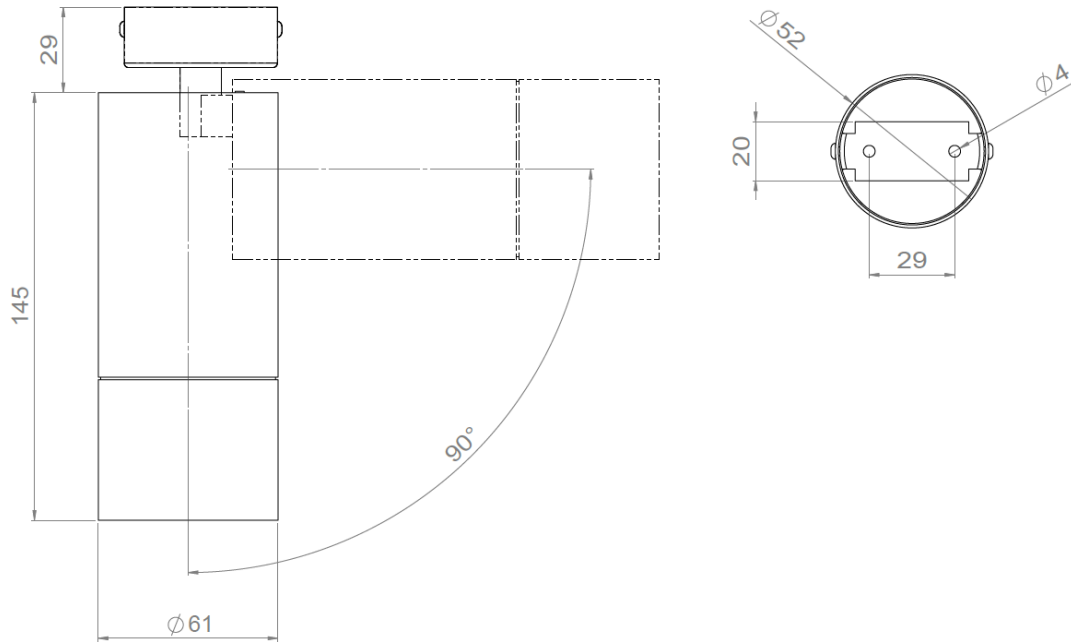
AURORE D60 • Round Wall-Mounted • Rectangular Wall-Mounted

Range	Highly adjustable luminaires for general & accent lighting	
Description	Low luminance Rotation 360° - Adjustable tilt 90°	
Finish	White RAL 9003 matt finish Black RAL 9005 matt finish (other upon request)	
Dimensions	Round Wall-Mounted	Rectangular Wall-Mounted
	Spotlight diameter : 52mm Spotlight length : 145mm Box diameter : 52mm	Spotlight diameter : 52mm Spotlight length : 140 mm Box dimensions : 142.5x61mm
Net weight	0.3kg	0.8kg
LED characteristics	2700K – 3000K – 3500K - 4000K – 5000K (other upon request) MacAdam ellipse : 3 SDCM (standard) – 2 SDCM (premium) CRI 90 (standard) – CRI 95, R9 > 90 (premium)	
Optical beams	7° - 12° - 15° - 25° - 30° - 40° - Asymetrical – Elliptical UGR < 15	
Accessoires	Filters, honeycomb grid upon request	
Luminous flux	600 to 2,000 lumen according to version	
Connection	Delivered with 0.5m cable or connectors in the round or rectangular box	
Separated Power supply	Remote constant current driver 1400mA max. according to version Dimmable driver upon request	
Integrated Power supply	Rectangular wall-mounted : driver 700mA max. integrated in the box	
Power	6W to 25W according to version	
Use limitations	The product must be installed into a ventilated area Any use with an ambient temperature higher than the specified ambient temperature (Ta) would lead to a more rapid mortality of the product and the withdrawal of our guarantees The drivers, if not delivered by LOuss, must be approved before use	
Warranty	Life span: L80B10 at 50,000 hours (80% remaining flux) at 25°C ambient temperature. 3-year parts and labour warranty The warranty does not apply to products that have been opened, modified or repaired and does not cover the effects of a wrong connection, careless, abusive handling, overvoltage, lighting injury, as well as the normal wear of the product All products are electrically tested and received a functional burn-in	

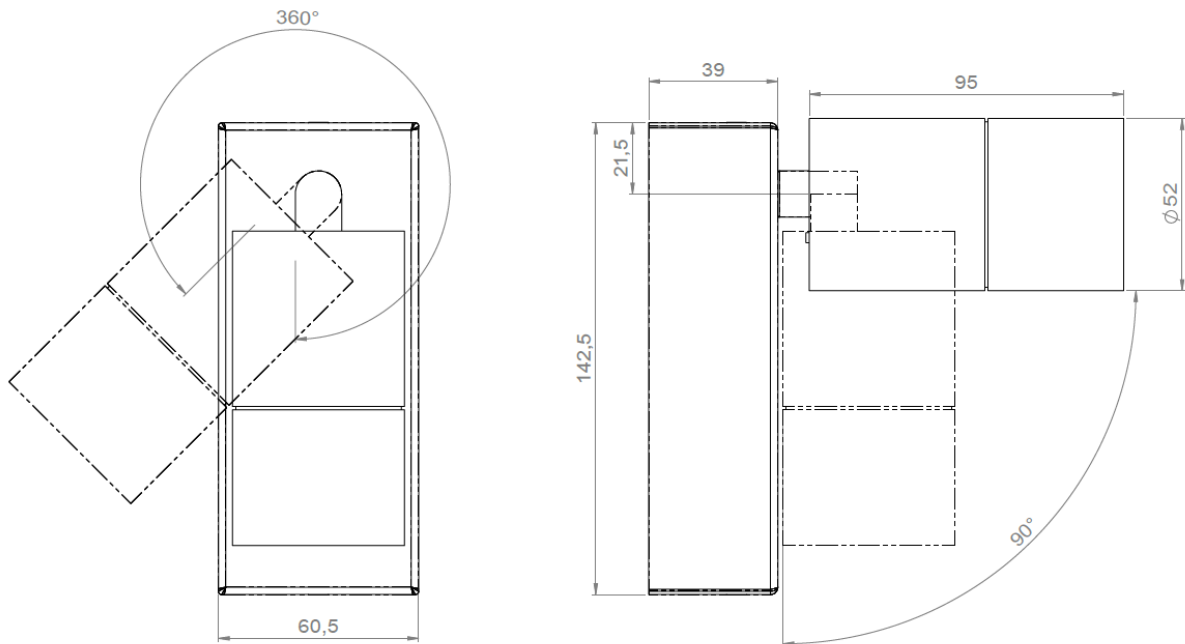
All the connections have to be made before powering up,
otherwise the luminaires could be seriously damaged



AURORE D60 ROUND WALL-MOUNTED



AURORE D60 RECTANGULAR WALL-MOUNTED



All the connections have to be made before powering up,
otherwise the luminaires could be seriously damaged