

AURORE D55 WALL-MOUNTED



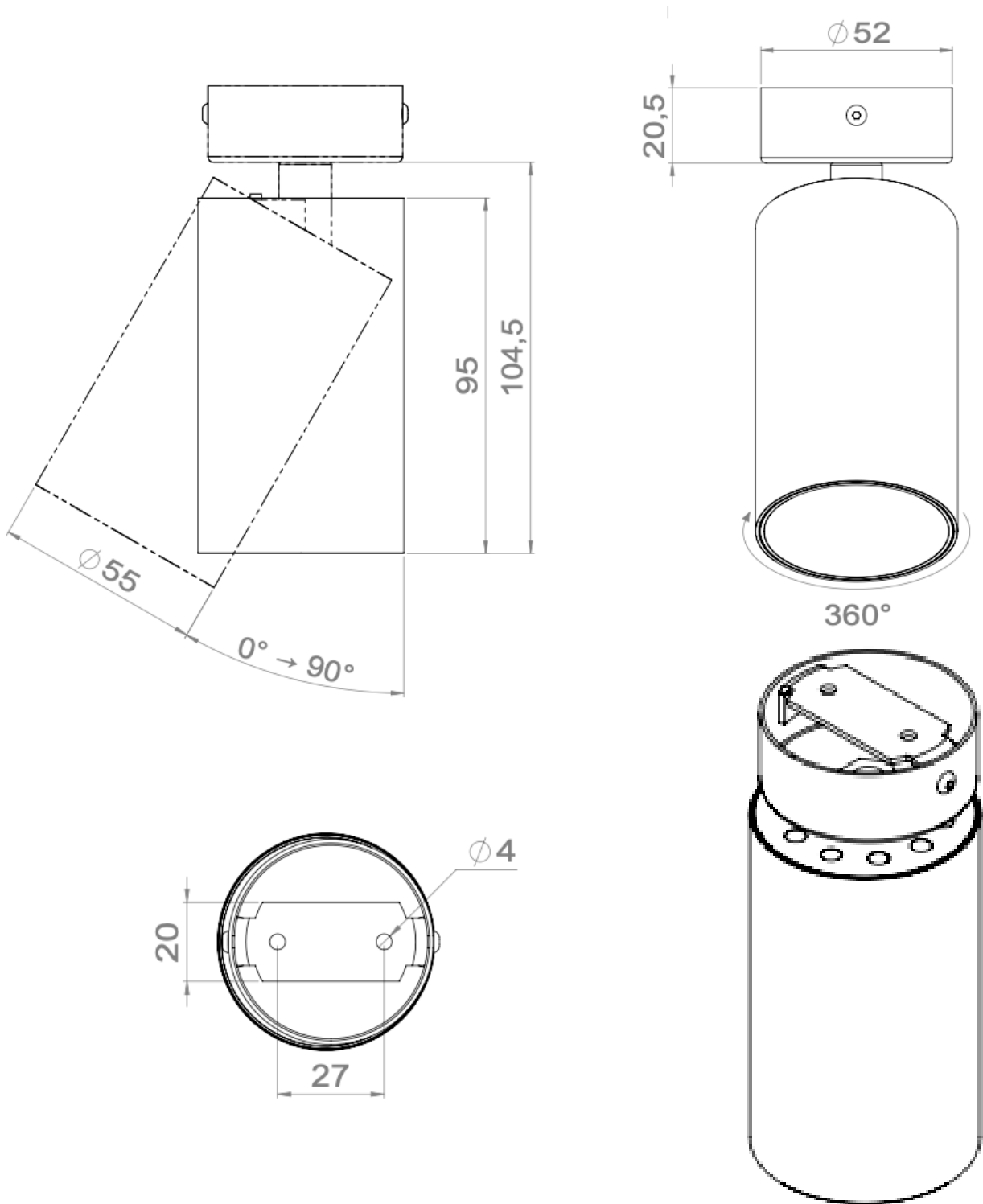
AURORE D55 ROUND WALL-MOUNTED

Range	Highly adjustable luminaires for general & accent lighting
Description	Luminaire equipped with low luminance spotlight Rotation 360° - Adjustable tilt 90° max Easily changeable LED, optics and accessories on-site without any tool, with integrated Permuto Easy Swap system (see page 4)
Finish	Black RAL 9005 matt finish White RAL 9003 matt finish (other upon request)
Dimensions	Spotlight diameter : 55mm Spotlight length : 95mm Wall-mounted box diameter : 52mm
Net weight	0.350kg
LED characteristics	2700K - 3000K - 3500K - 4000K - 5000K (other upon request) MacAdam ellipse : 3 SDCM (standard) - 2 SDCM (premium) CRI90 (standard version) - CRI95, R9 > 80
Optical beams	13° - 18° - 24° -32° (CRI < 98) 7° (IRC 90) UGR < 15
Accessories	Filters, honeycomb grids upon request
Luminous flux	600 to 2,000 lumen according to version
Connection	Supplied with 0.5m cable Or connectors in the box
Power supply	Remote constant current driver 1400mA max. according to version Dimmable driver upon request For US & Canada, use a UL class 2 driver
Power	6W to 25W according to version
Use limitations	The product must be installed into a ventilated area Any use with an ambient temperature higher than the specified ambient temperature (Ta) would lead to a more rapid mortality of the product and the withdrawal of our guarantees The drivers, if not delivered by LOuss, must be approved before use
Warranty	Life span: L80B10 at 50,000 hours (80% remaining flux) at 25°C ambient temperature. 3-year parts and labour warranty The warranty does not apply to products that have been opened, modified or repaired and does not cover the effects of a wrong connection, careless, abusive handling, overvoltage, lighting injury, as well as the normal wear of the product All products are electrically tested and received a functional burn-in

All the connections have to be made before powering up,
otherwise the luminaires could be seriously damaged



AURORE D55 ROUND WALL-MOUNTED



All the connections have to be made before powering up,
otherwise the luminaires could be seriously damaged



AURORE D55 ROUND WALL-MOUNTED



LOUSS **Permuto** – easy swap system



LED / COB

Optics

Accessories (filters, honeycomb grid)

All the connections have to be made before powering up,
otherwise the luminaires could be seriously damaged

LOUSS

Last update: 2025.06.13

4/4

BEST SAS, Capital 200 000€
RCS Dijon B 408 483 485
TVA/VAT n° : FR94 408 483 485
APE 2612Z

Tel. : +33 380 48 65 68
contact@louss.fr
www.louss.fr
Best & LOUSS

Siège social / Head Office
PA Les Terres d'Or
Route de Saint Philibert
21220 Gevrey Chambertin - FRANCE