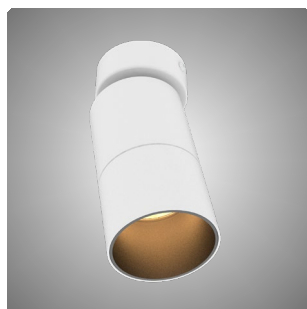


AURORE D52 WALL-MOUNTED



Round Wall-Mounted



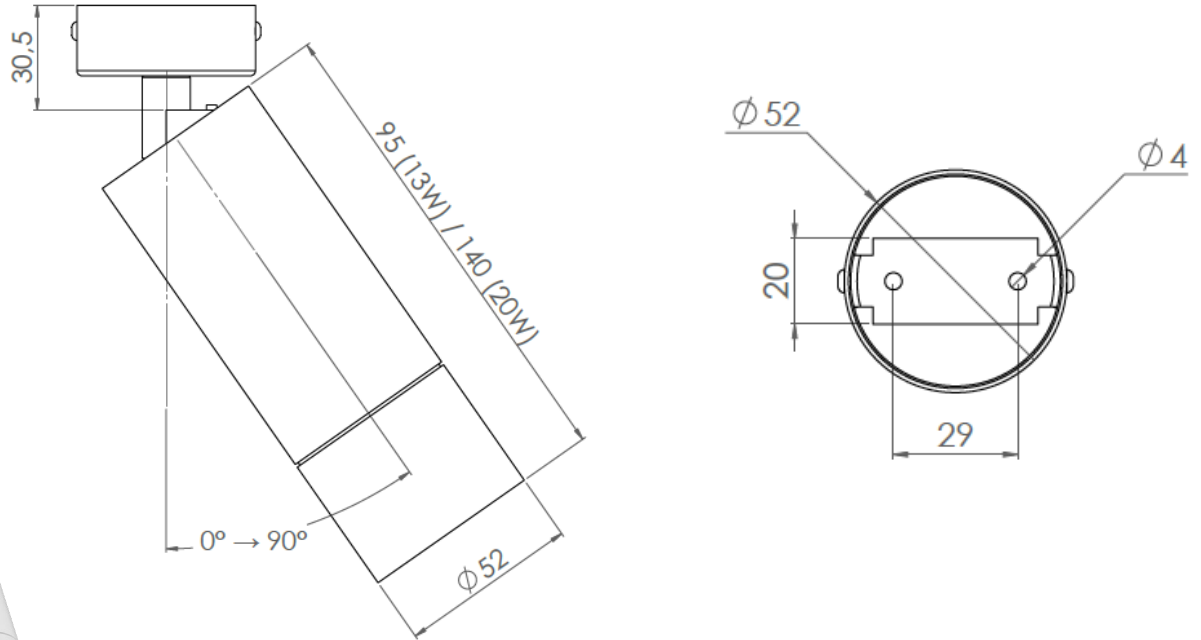
Rectangular Wall-Mounted

Range	Highly adjustable luminaires for general & accent lighting	
Description	Low luminance Rotation 360° - Adjustable tilt 90°	
Finish	White RAL 9003 matt finish Black RAL 9005 matt finish (other upon request)	
Dimensions	Round Wall-Mounted	Rectangular Wall-Mounted
	Spotlight diameter : 52mm Spotlight length : 95mm (13W) 140mm (20W) Box diameter : 52mm	Spotlight diameter : 52mm Spotlight length : 95mm (13W) 140mm (20W) Box dimensions : 142.5x60.5mm
Net weight	0.3kg	0.8kg
LED characteristics	2700K – 3000K – 3500K - 4000K – 5000K (other upon request) MacAdam ellipse : 3 SDCM (standard) – 2 SDCM (premium) CRI 90 (standard) – CRI 95, R9 > 90 (premium)	
Optical beams	7° - 12° - 15° - 25° - 30° - 40° - Asymmetrical – Elliptical UGR < 15	
Accessories	Filters, honeycomb grid upon request	
Luminous flux	600 to 2,000 lumen according to version	
Connection	Supplied with 0.5m cable or connectors in the wall-mounted box	
Power supply	All Versions	Rectangular Wall-Mounted
	Remote constant current driver 1400mA max. according to version Dimmable driver upon request For US & Canada, use a UL class 2 driver	Driver 700mA max. integrated in the box For US & Canada, use a UL class 2 driver
Power	6W to 25W according to version	
Use limitations	The product must be installed into a ventilated area Any use with an ambient temperature higher than the specified ambient temperature (Ta) would lead to a more rapid mortality of the product and the withdrawal of our guarantees The drivers, if not delivered by LOuss, must be approved before use	
Warranty	Life span: L80B10 at 50,000 hours (80% remaining flux) at 25°C ambient temperature. 3-year parts and labour warranty The warranty does not apply to products that have been opened, modified or repaired and does not cover the effects of a wrong connection, careless, abusive handling, overvoltage, lighting injury, as well as the normal wear of the product All products are electrically tested and received a functional burn-in	

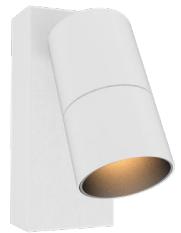
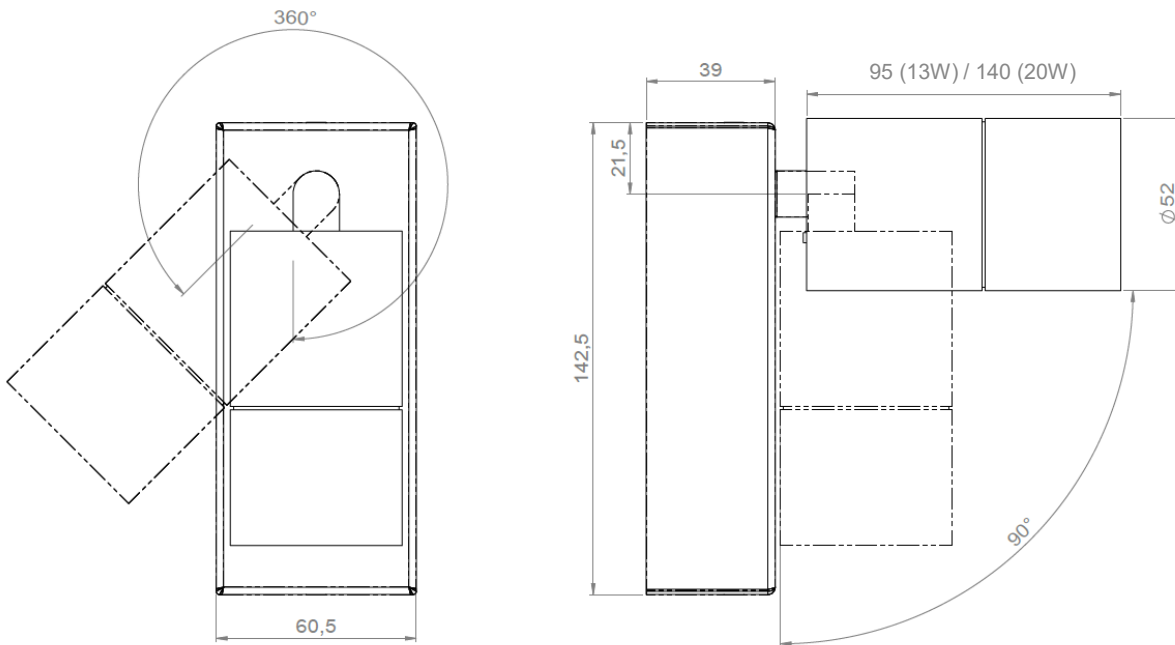
All the connections have to be made before powering up,
otherwise the luminaires could be seriously damaged



AURORE D52 ROUND WALL-MOUNTED



AURORE D52 RECTANGULAR WALL-MOUNTED



13W version



20W version

All the connections have to be made before powering up,
otherwise the luminaires could be seriously damaged

LOUSS

Last update: 2025.06.13

3/3

BEST SAS, Capital 200 000€
RCS Dijon B 408 483 485
TVA/VAT n° : FR94 408 483 485
APE 2612Z

Tel. : +33 380 48 65 68
contact@louss.fr
www.louss.fr
Best & LOUSS

Siège social / Head Office
PA Les Terres d'Or
Route de Saint Philibert
21220 Gevrey Chambertin - FRANCE