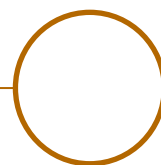


AURORE D52 RECESSED





Range	Highly adjustable recessed ceiling downlights for general & accent lighting			
Description	Low luminance Rotation 360° Trim, Trimless & Trimless Short : Adjustable tilt 30° Fixed Trimless : Droit – pre-adjusted tilt 20° (other upon request) Trimless Flush : Adjustable tilt 20° Recessed On-plate : Adjustable tilt 90°			
Finish	White RAL 9003 matt finish Black RAL 9005 matt finish (other upon request)			
Dimensions	Recessed On-plate	Fixed Canon	Trim	Trimless
	Spotlight diameter : 52mm Plate diameter : 71mm Installation depth : 32mm Spotlight length : 13W : 95mm 20W : 140mm Weight : 0.30 kg	Spotlight diameter : 52mm External diameter : 52mm Installation diameter : 58mm Installation depth : 13W : 39mm 20W : 84mm Weight : 0.40 kg	Spotlight diameter : 52mm Recessed box diameter : 110mm Installation diameter : 84.5mm Installation depth : 13W : 90mm 20W : 45mm Weight : 0.45 kg	Spotlight diameter : 52mm Recessed box diameter : 89mm Installation diameter : 89mm Spotlight length : 13W : 49mm 20W : 94mm Weight : 0.45 kg
	Trimless Wall Washer	Trimless Flush	Fixed Trimless	
	Spotlight diameter : 52mm Recessed box diameter : 89mm Installation diameter : 89mm Installation depth : 20W : 94mm Weight : 0.45 kg	Spotlight diameter : 52mm Recessed box diameter : 99mm Installation diameter : 99mm Installation depth : 95mm Weight : 0.45 kg	Spotlight diameter : 52mm External diameter : 55mm Installation diameter : 55mm Installation depth : 144 to 160mm (according to installation mode) Weight : ± 0.45 kg	
LED characteristics	2700K – 3000K – 3500K – 4000K – 5000K (other upon request) MacAdam ellipse : 3 SDCM (standard version) – 2 SDCM (premium version) IRC > 90 (standard) / IRC 95, R9 > 90 (premium)			
Optics	7° - 12° - 15° - 18° - 20° - 25° - 30° - 35° - Elliptical UGR < 15			

All the connections have to be made before powering up,
otherwise the luminaires could be seriously damaged

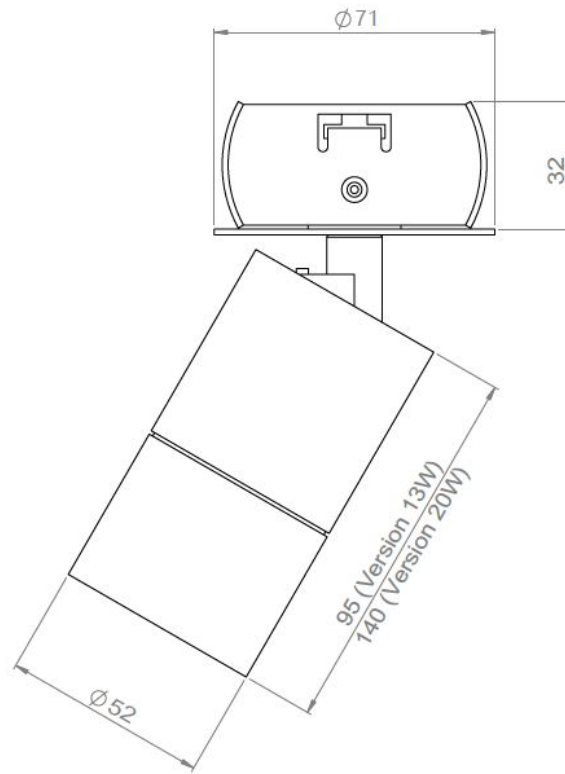


Accessories	Filter, honeycomb grid
Luminous flux	600 to 2,000 lumen according to version
Connection	Supplied with 0.5m cable
Power supply	Remote constant current driver 700mA max. according to version Dimmable driver upon request
Power	6W to 25W according to version
Use limitations	The product must be installed into a ventilated area Any use with an ambient temperature higher than the specified ambient temperature (Ta) would lead to a more rapid mortality of the product and the withdrawal of our guarantees The drivers, if not delivered by LOuss, must be approved before use
Warranty	Life span: L80-B10 = 35,000 hours (80% remaining flux) at 30°C ambient temperature The warranty applies to components and fabrication supplied by Louss The warranty does not apply to products that have been opened, modified or repaired and does not cover the effects of a wrong connection, careless, abusive handling, overvoltage, lighting injury, as well as the normal wear of the product All products are electrically tested and receive a functional burn-in

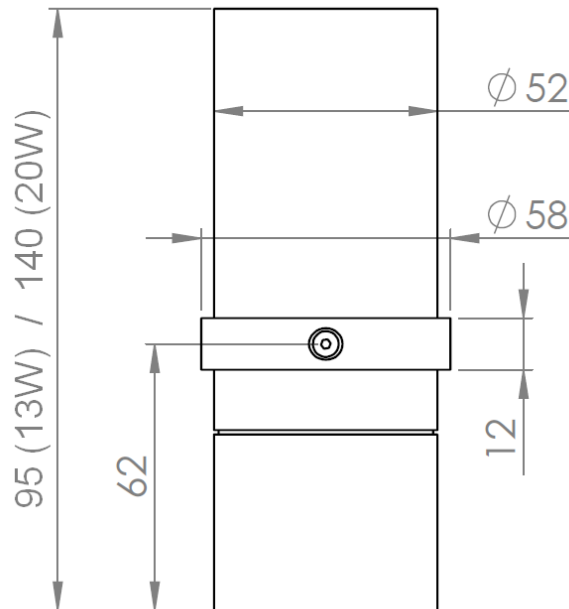
All the connections have to be made before powering up,
otherwise the luminaires could be seriously damaged



AURORE D52 RECESSED ON-PLATE



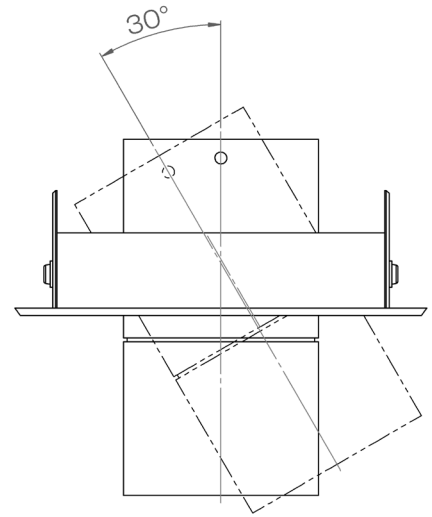
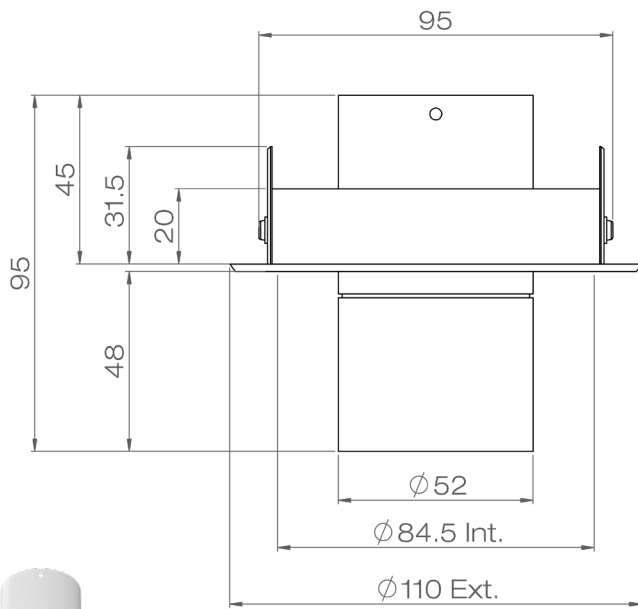
AURORE D52 FIXED CANON



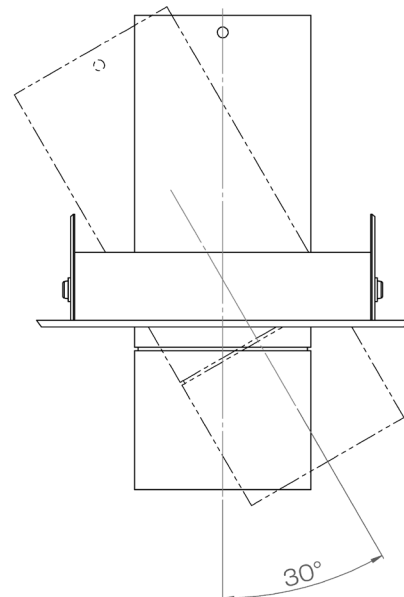
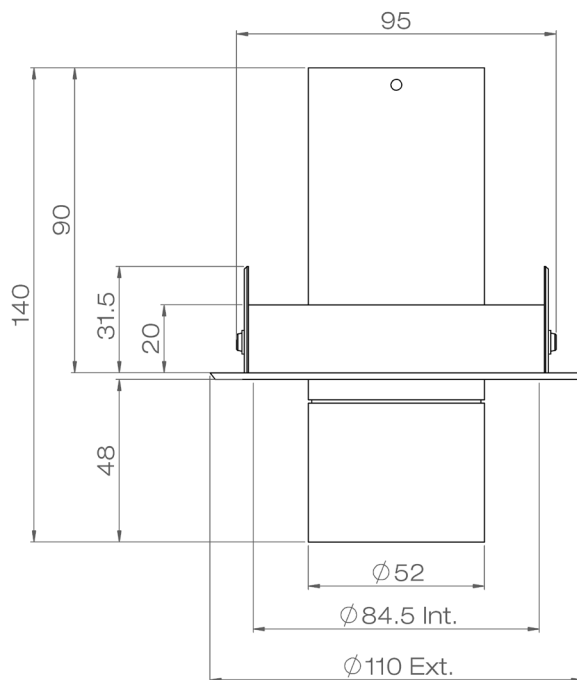
All the connections have to be made before powering up,
otherwise the luminaires could be seriously damaged



AURORE D52 TRIM 13W



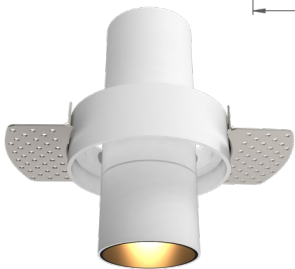
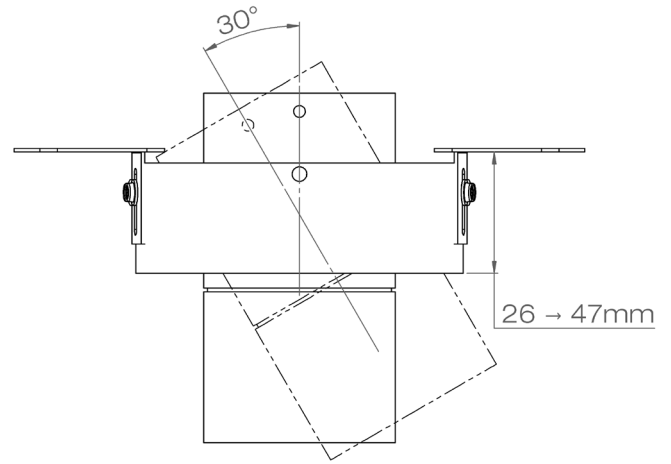
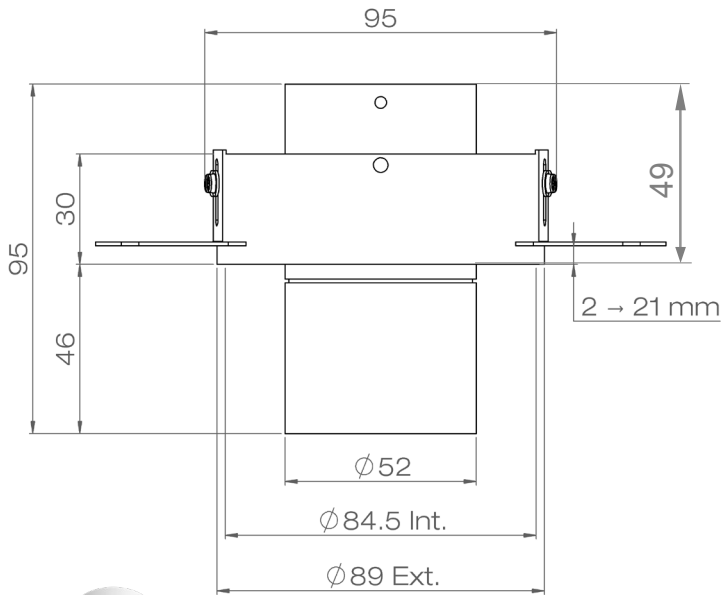
AURORE D52 TRIM 20W



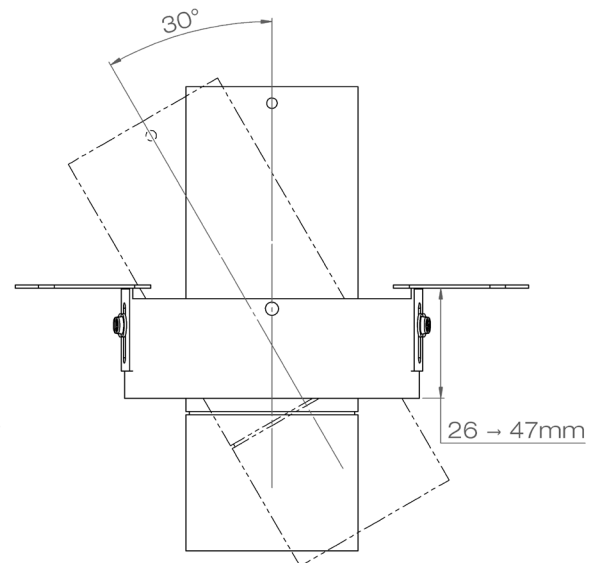
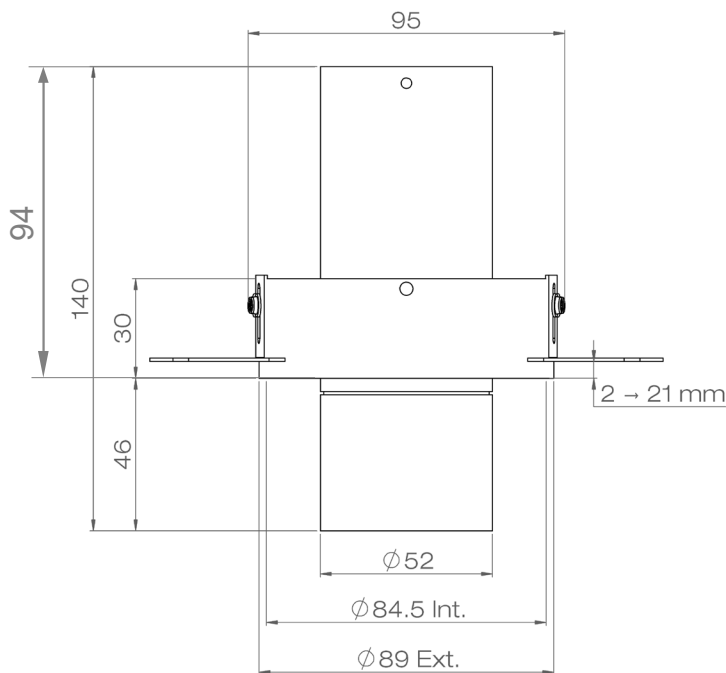
All the connections have to be made before powering up,
otherwise the luminaires could be seriously damaged



AURORE D52 TRIMLESS 13W



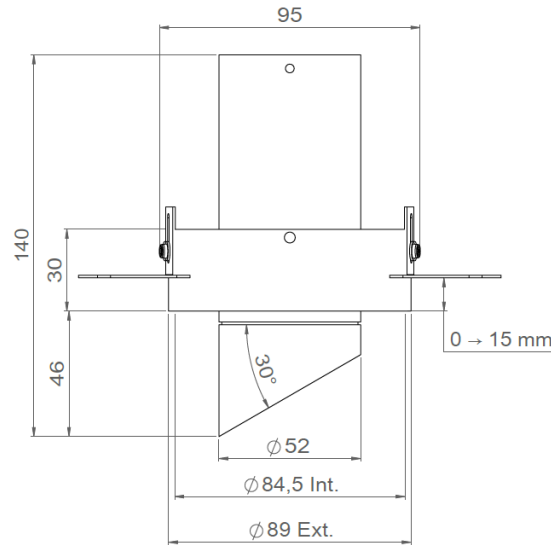
AURORE D52 TRIMLESS 20W



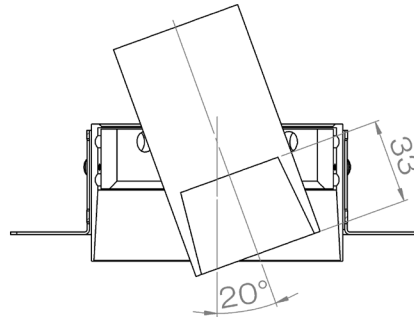
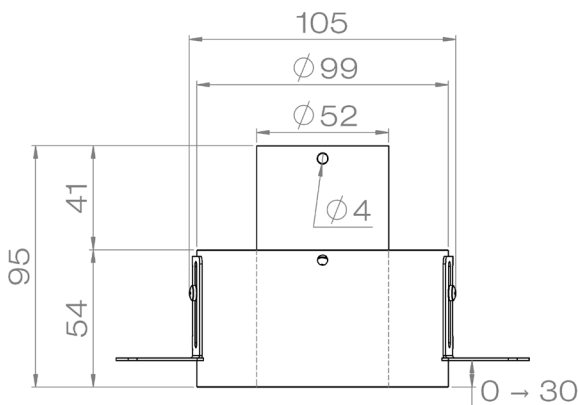
All the connections have to be made before powering up,
otherwise the luminaires could be seriously damaged



AURORE D52 TRIMLESS WALL WASHER

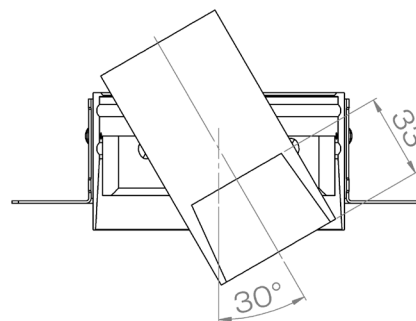
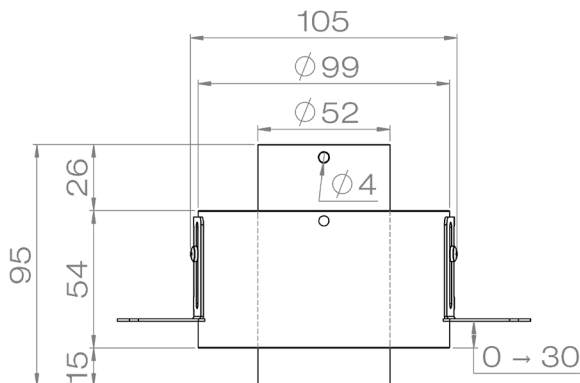


AURORE D52 TRIMLESS FLUSH



Upper position

Insert the luminaire into the **upper position** of the recessed frame to obtain a **flush** luminaire



Low position

To obtain **30° orientation** angle, insert the luminaire in the **lowest position**

WARNING :
in this position, the spotlight cannot flush with the ceiling

All the connections have to be made before powering up,
otherwise the luminaires could be seriously damaged

Louss

Last update: 2025.08.06

7/10

BEST SAS, Capital 200 000€
RCS Dijon B 408 483 485
TVA/VAT n° : FR94 408 483 485
APE 2612Z

Tel. : +33 380 48 65 68
contact@louss.fr
www.louss.fr
Best & LOUSS

Siège social / Head Office
PA Les Terres d'Or
Route de Saint Philibert
21220 Gevrey Chambertin - FRANCE



Trimless



Trimless Flush

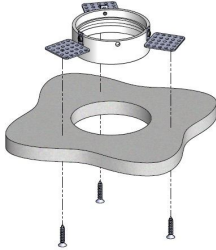


Trimless Short

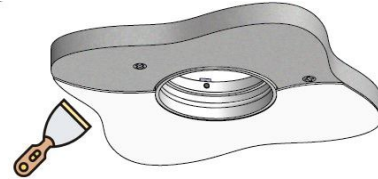


Trimless
Wall-Washer

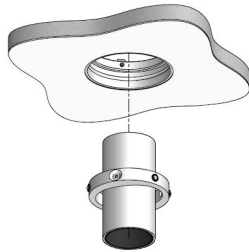
Installation from above



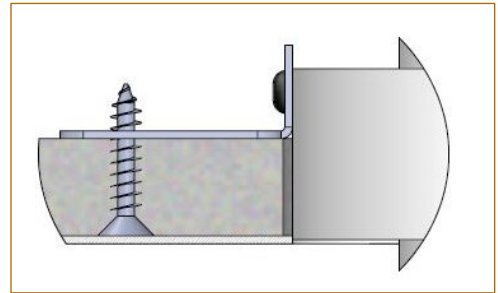
Install the recessed frame from above and screw it into the surface



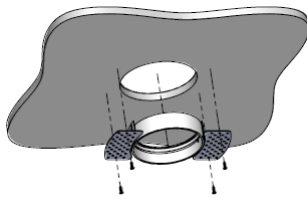
Cover the lateral plates of the recessed frame by coating and painting



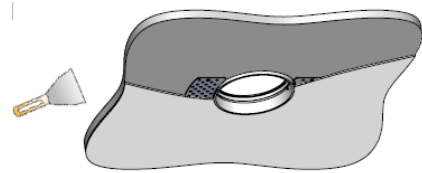
Insert the spotlight from below



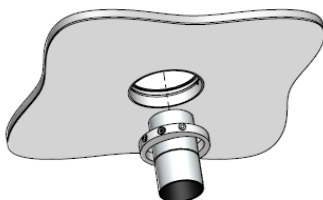
Installation from below



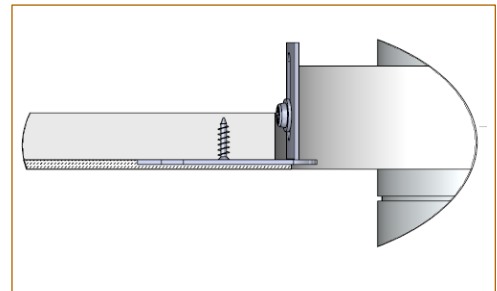
Install the recessed frame from below and screw it into the surface



Cover the lateral plates of the recessed frame by coating and painting



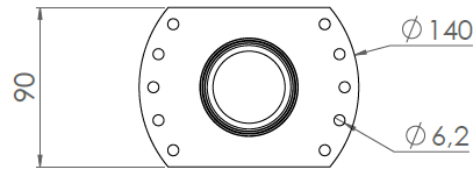
Insert the spotlight from below



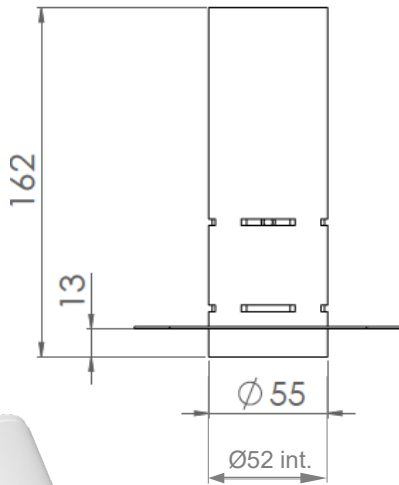
All the connections have to be made before powering up, otherwise the luminaires could be seriously damaged



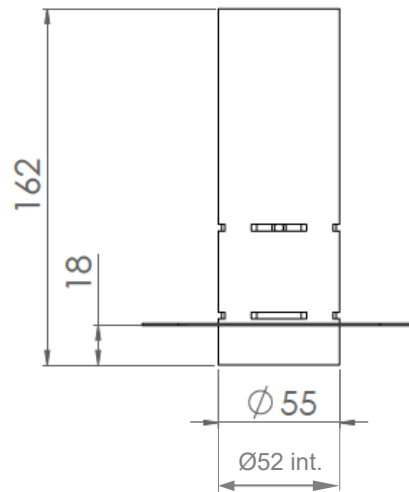
AURORE D52 TRIMLESS FIXE DROIT



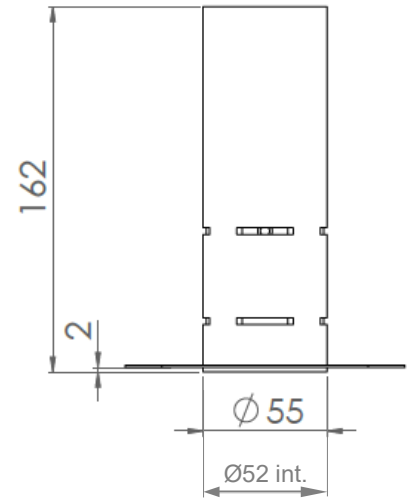
BA13 version
Installation from above



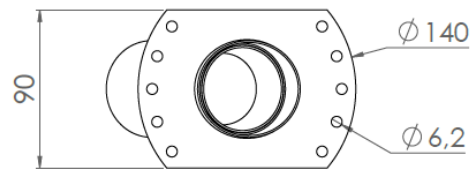
BA18 version
Installation from above



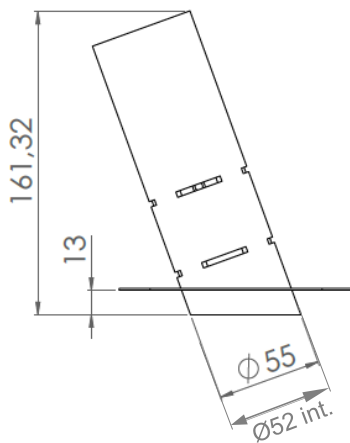
Installation from below



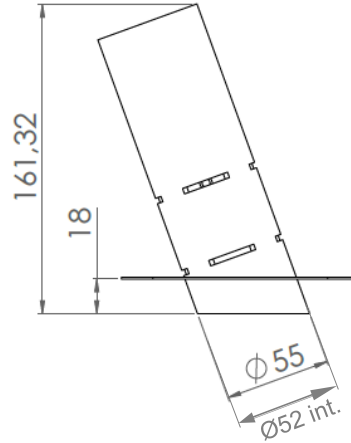
AURORE D52 TRIMLESS FIXE INCLINÉ



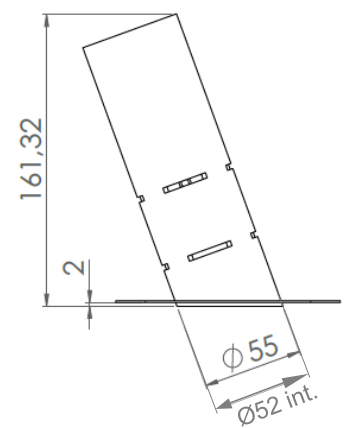
BA13 version
Installation from above



BA18 version
Installation from above



Installation from below

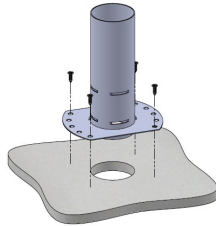


All the connections have to be made before powering up,
otherwise the luminaires could be seriously damaged

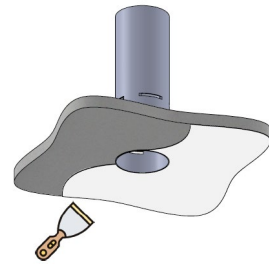


AURORE D52 FIXED TRIMLESS

Installation from above



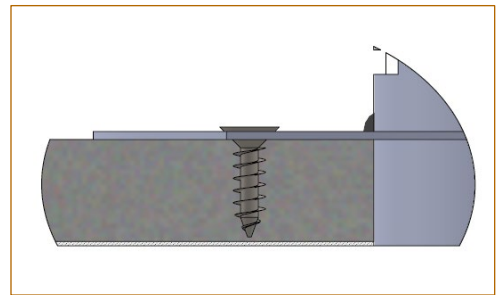
Install the recessed tube from above and screw it into the surface



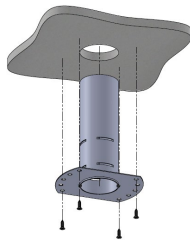
Cover the lateral plates of the recessed tube by coating and painting



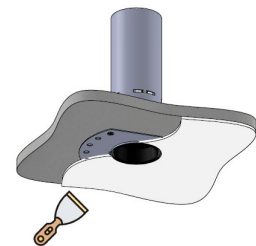
Insert the spotlight from below



Installation from below



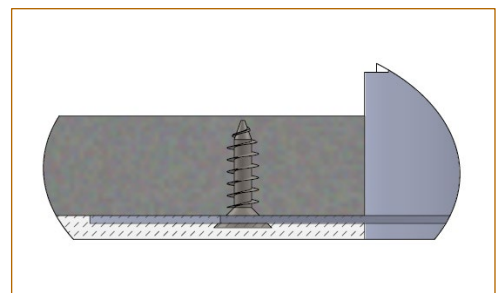
Install the recessed tube from below and screw it into the surface



Cover the lateral plates of the recessed tube by coating and painting



Insert the spotlight from below



All the connections have to be made before powering up, otherwise the luminaires could be seriously damaged