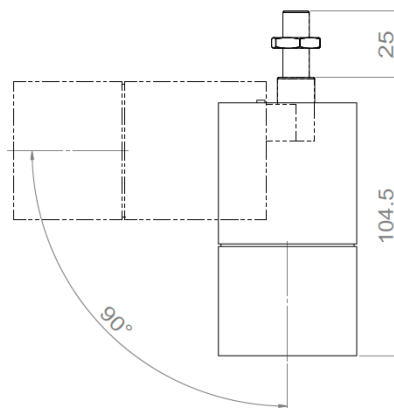
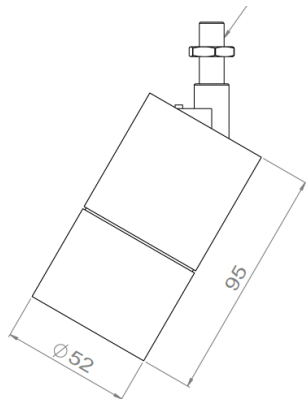


AURORE D52 PIVOT



Threaded rod M10x1 + fixing nut



AURORE D52 PIVOT

Range	Highly adjustable luminaire for general & accent lighting
Description	Low luminance Rotation 360° - Adjustable tilt 90° max
Finish	White RAL 9003 matt finish Black RAL 9005 matt finish (other upon request)
Dimensions	Spotlight diameter : 52mm Spotlight length : 95mm
Net Weight	0.5kg
LED characteristics	2700K – 3000K – 4000K – 5000K (other upon request) MacAdam ellipse: 3 SDCM (standard) – 2 SDCM (premium) CRI 90 (standard) – CRI 95, R9 > 90 (premium)
Optical beams	7° - 12° - 15° - 20° - 25° - 30° - 35° - Elliptical UGR < 15
Accessories	Filters, honeycomb grid
Luminous flux	600 to 2,000 lumen according to version
Installation	Fixation with threaded rod M10x1 + fixing nut
Connection	Supplied with 0.5m cable
Power supply	Remote constant current driver 1400mA max. according to version Dimmable driver upon request For US & Canada, use a UL class 2 driver
Power	6W to 13W according to version
Use limitations	The product must be installed into a ventilated area Any use with an ambient temperature higher than the specified ambient temperature (Ta) would lead to a more rapid mortality of the product and the withdrawal of our guarantees The drivers, if not delivered by LOuss, must be approved before use
Warranty	Life span: L80B10 at 50,000 hours (80% remaining flux) at 25°C ambient temperature. 3-year parts and labour warranty The warranty does not apply to products that have been opened, modified or repaired and does not cover the effects of a wrong connection, careless, abusive handling, overvoltage, lighting injury, as well as the normal wear of the product All products are electrically tested and received a functional burn-in

All the connections have to be made before powering up, otherwise the luminaires could be seriously damaged