

AURORE D42 WALL-MOUNTED



AURORE D42 WALL-MOUNTED • Round • Round Magnetic

Range	Highly adjustable luminaires for general & accent lighting
Description	<p>Luminaire equipped with low luminance spotlight Rotation 360° - Adjustable tilt 90° max</p> <p>Round Magnetic version : Magnetic mounting with safety sling ring Magnetic fixing disk to be fixed on a non-magnetic surface (optional)</p> <p>Easily changeable LED, optics and accessories on-site without any tool, with integrated Permuto Easy Swap system (see page 6)</p>
Finish	<p>White RAL 9003 matt finish Black RAL 9005 matt finish (other upon request)</p>
Dimensions	<p>Spotlight diameter : 42mm Spotlight length : 80mm Wall-mounted box diameter : 52mm</p>
Net weight	± 0.230kg according to version
LED characteristics	<p>2700K - 3000K - 3500K - 4000K - 5000K (other upon request) MacAdam ellipse : 3 SDCM CRI90 (standard version) - CRI95, R9 > 80</p>
Optical beams	<p>6° - 10° - 15° - 20° - 25° - 30° - 35° - 40° - 55° - 60° - Elliptical UGR < 15</p>
Accessories	Filters, honeycomb grids upon request
Luminous flux	300 to 800 lumen according to version
Power supply	<p>Remote constant current driver 700mA max. according to version Dimmable driver upon request For US & Canada, use a UL class 2 driver</p>
Power	4W to 10W according to version
Installation & Connection	<p>Luminaires supplied with 0.5m cable. Quick connector upon request Optional : connectors in the box</p> <p>The drivers can be remote to a distance up to 5m max. For greater distances (10-15m max.), please contact us. Depending on the installation, anti-surge protection may be provided with the luminaires</p> <p>Take into consideration the cumulative length of all the cables when connecting several luminaires in series on the same driver</p>

All the connections have to be made before powering up,
 otherwise the luminaires could be seriously damaged



AURORE D42 WALL-MOUNTED • Round • Round Magnetic

Use limitations	<p>The product must be installed into a ventilated area</p> <p>Any use with an ambient temperature higher than the specified ambient temperature (Ta) would lead to a more rapid mortality of the product and the withdrawal of our guarantees</p> <p>The drivers, if not delivered by LOuss, must be approved before use</p>
Warranty	<p>Life span: L80B10 at 50,000 hours (80% remaining flux) at 25°C ambient temperature</p> <p>3-year parts and labour warranty</p> <p>The warranty does not apply to products that have been opened, modified or repaired and does not cover the effects of a wrong connection, careless, abusive handling, overvoltage, lighting injury, as well as the normal wear of the product</p> <p>All products are electrically tested and received a functional burn-in</p>

All the connections have to be made before powering up,
otherwise the luminaires could be seriously damaged

LOuss

Last update: 2025.10.15

3/6

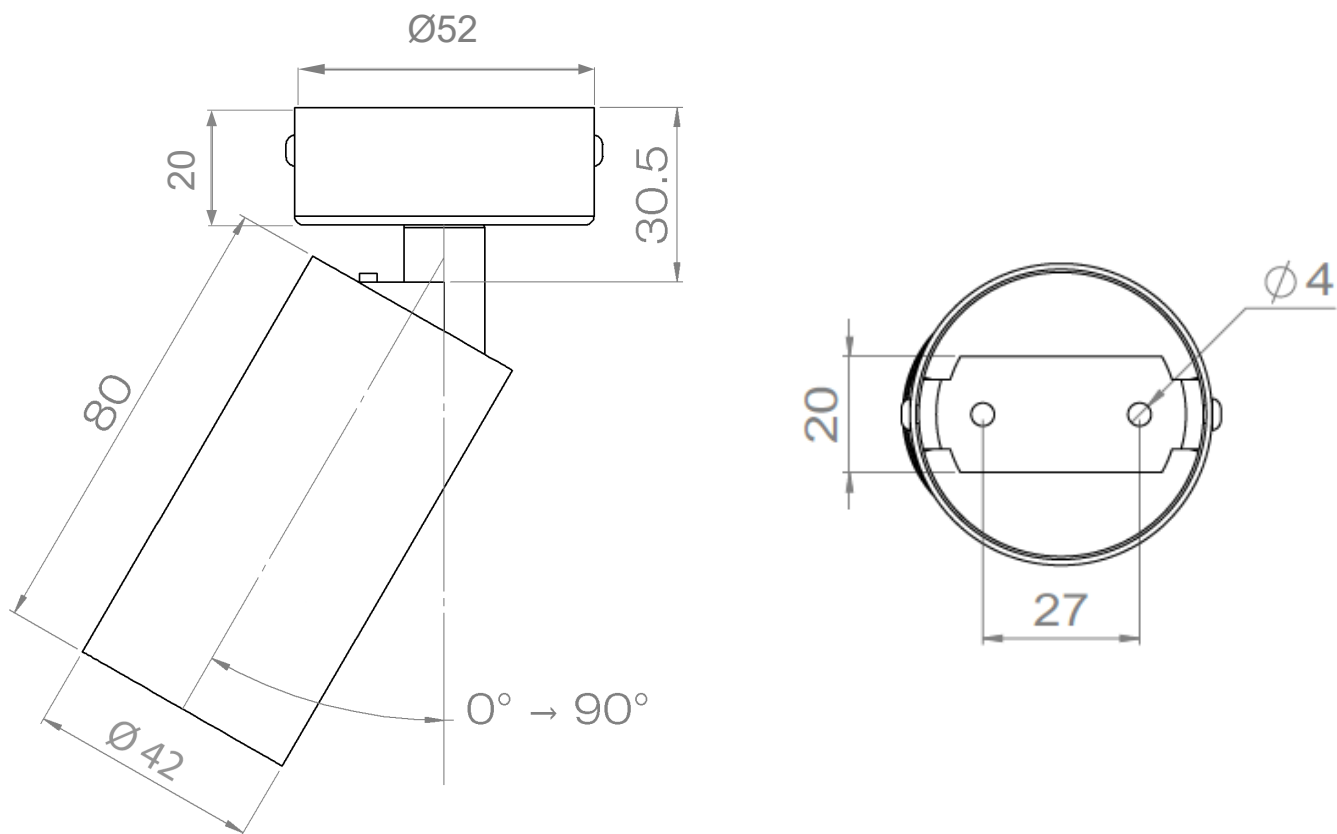
BEST SAS, Capital 200 000€
RCS Dijon B 408 483 485
TVA/VAT n° : FR94 408 483 485
APE 2612Z

Tel. : +33 380 48 65 68
contact@louss.fr
www.louss.fr
Best & LOuss

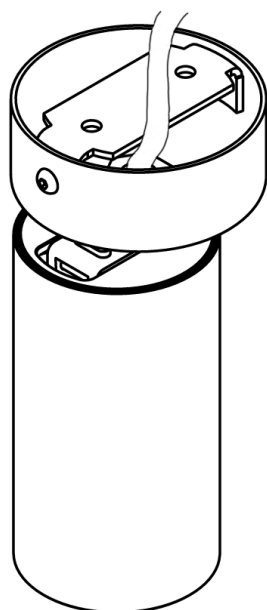
Siège social / Head Office
PA Les Terres d'Or
Route de Saint Philibert
21220 Gevrey Chambertin - FRANCE



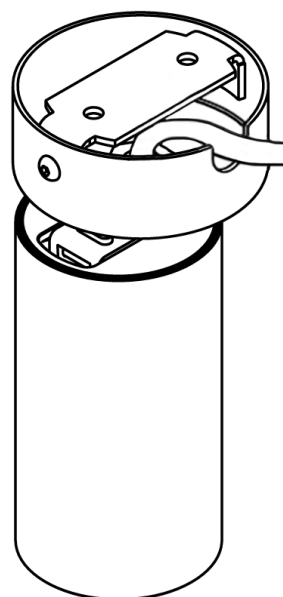
AURORE D42 ROUND WALL-MOUNTED



Cable output from behind



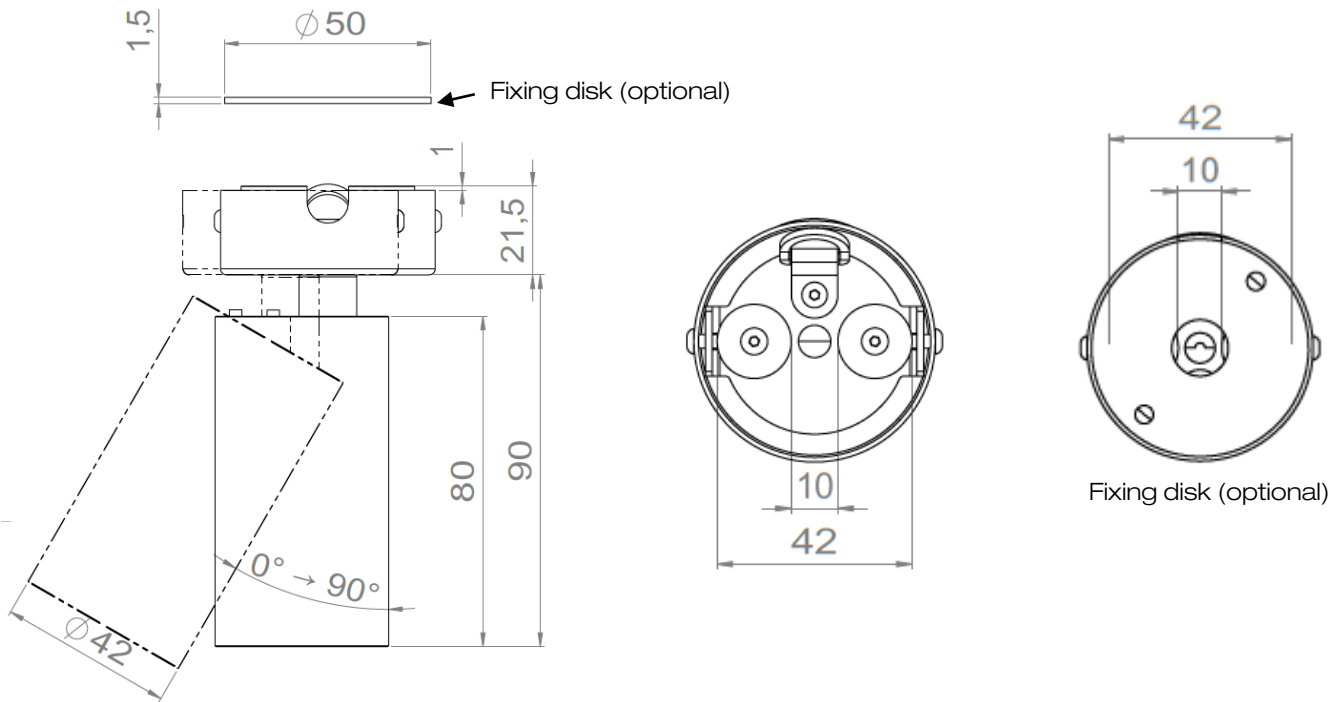
Cable output from the side



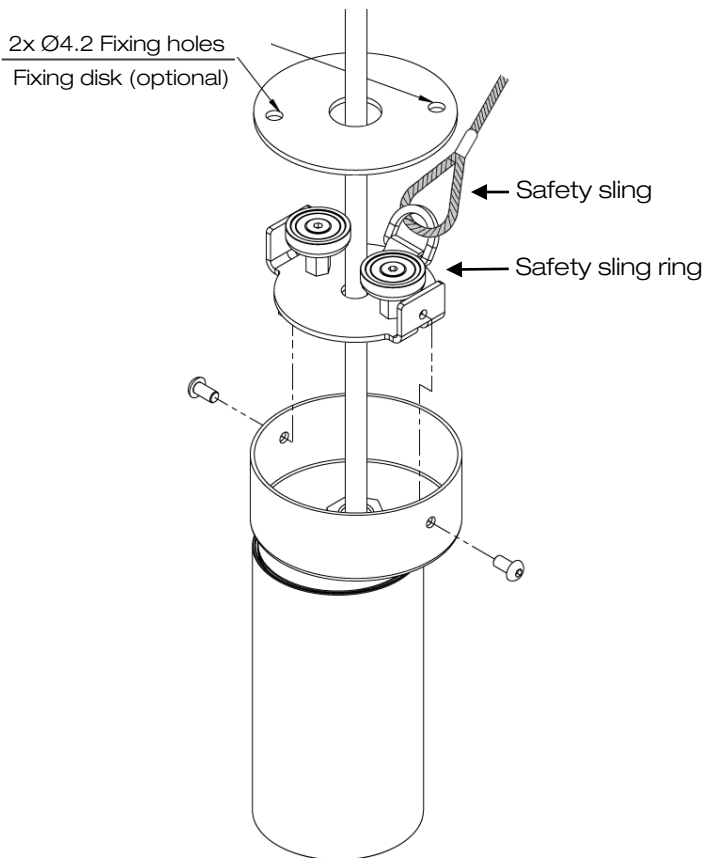
All the connections have to be made before powering up,
otherwise the luminaires could be seriously damaged



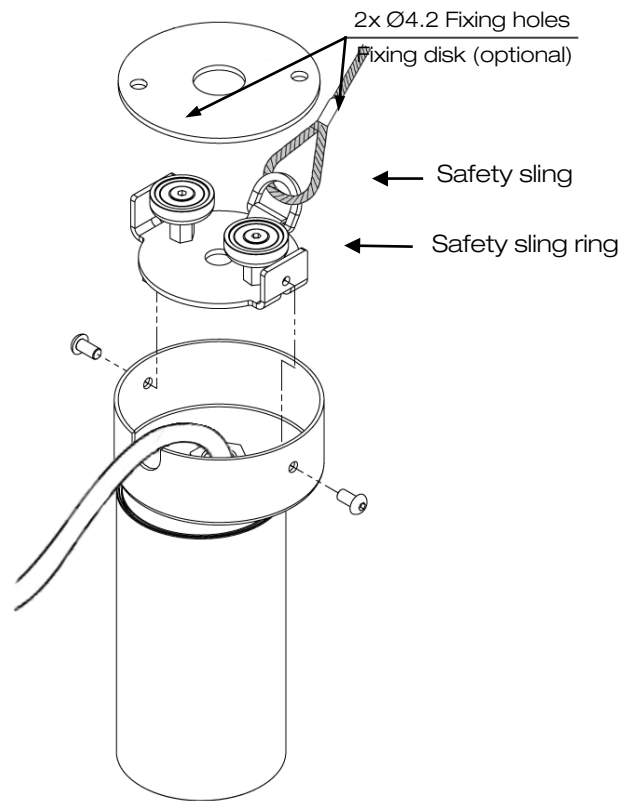
AURORE D42 ROUND WALL-MOUNTED MAGNETIC



Cable output from behind



Cable output on the side



All the connections have to be made before powering up,
otherwise the luminaires could be seriously damaged

Last update: 2025.10.15



AURORE D42 WALL-MOUNTED • Round • Round Magnetic

LOuss **Permuto** – easy swap system



All the connections have to be made before powering up,
otherwise the luminaires could be seriously damaged

LOuss

Last update: 2025.10.15

6/6

BEST SAS, Capital 200 000€
RCS Dijon B 408 483 485
TVA/VAT n° : FR94 408 483 485
APE 2612Z

Tel. : +33 380 48 65 68
contact@louss.fr
www.louss.fr
Best & LOuss

Siège social / Head Office
PA Les Terres d'Or
Route de Saint Philibert
21220 Gevrey Chambertin - FRANCE