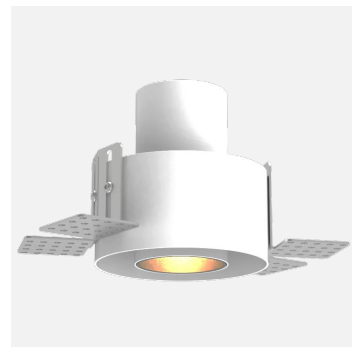
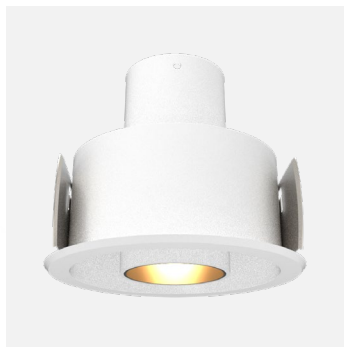




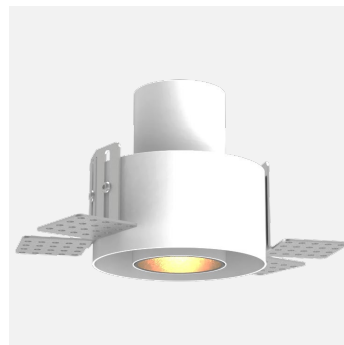
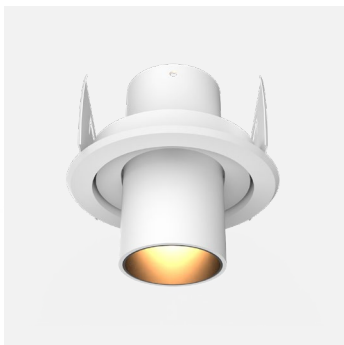
AURORE D42 RECESSED



AURORE D42 • Trim • Trim Flush • Trimless • Trimless Flush

Range	Highly adjustable recessed ceiling downlights for general & accent lighting	
Description	<p>Low luminance Rotation 360° Trim & Trimless : Adjustable tilt 30° Trim Flush & Trimless Flush : Adjustable tilt 20° Easily changeable LED, optics and accessories on-site without any tool, with integrated Permuto Easy Swap system (see page 7)</p>	
Finish	<p>White RAL 9003 matt finish Black RAL 9005 matt finish (other upon request)</p>	
Dimensions	Trim	Trim Flush
	Spotlight diameter : 42mm External diameter : 83.5mm Installation diameter : 67.5mm Installation depth : 46mm	Spotlight diameter : 42mm External diameter : 93.5mm Installation diameter : 77.5mm Installation depth : 78mm
	Trimless	Trimless Flush
	Spotlight diameter : 42mm External diameter : 67.5mm Installation diameter : 67.5mm Installation depth : 48mm	Spotlight diameter : 42mm External diameter : 77.5mm Installation diameter : 77.5mm Installation depth : 80mm
Weight	± 0.15 kg according to version	
LED characteristics	<p>2700K - 3000K - 3500K - 4000K - 5000K (other upon request) MacAdam ellipse : 3 SDCM IRC90 (standard version) - IRC95, R9 > 80</p>	
Optics	<p>6° - 10° - 15° - 20° - 25° - 30° - 35° - 40° - 55° - 60° - Elliptical UGR < 15</p>	
Accessories	Filter, honeycomb grids upon request	
Luminous flux	300 to 800 lumen according to version	
Connection	Supplied with 0.5m cable	
Power supply	<p>Remote constant current driver 700mA max. according to version Dimmable driver upon request</p>	
Power	4W to 10W according to version	

All the connections have to be made before powering up, otherwise the luminaires could be seriously damaged



AURORE D42 • Trim • Trim Flush • Trimless • Trimless Flush

<p>Use limitations</p>	<p>The product must be installed into a ventilated area Any use with an ambient temperature higher than the specified ambient temperature (Ta) would lead to a more rapid mortality of the product and the withdrawal of our guarantees The drivers, if not delivered by LOuss, must be approved before use</p>
<p>Warranty</p>	<p>Life span: L80-B10 = 35,000 hours (80% remaining flux) at 30°C ambient temperature The warranty applies to components and fabrication supplied by Louss The warranty does not apply to products that have been opened, modified or repaired and does not cover the effects of a wrong connection, careless, abusive handling, overvoltage, lighting injury, as well as the normal wear of the product All products are electrically tested and receive a functional burn-in</p>

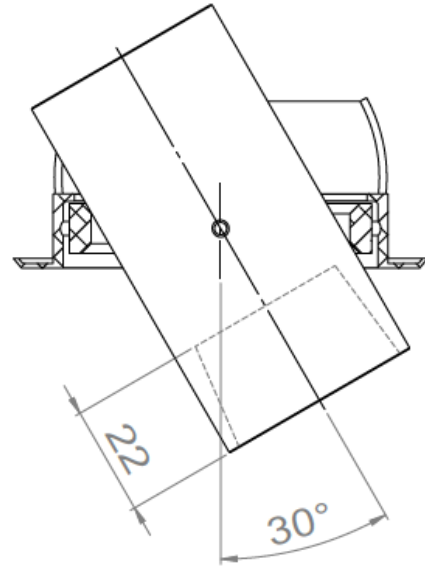
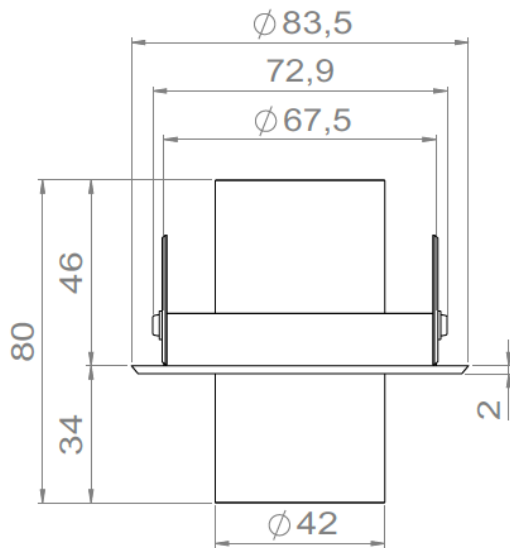
All the connections have to be made before powering up,
 otherwise the luminaires could be seriously damaged

Last update : 2025.08.06

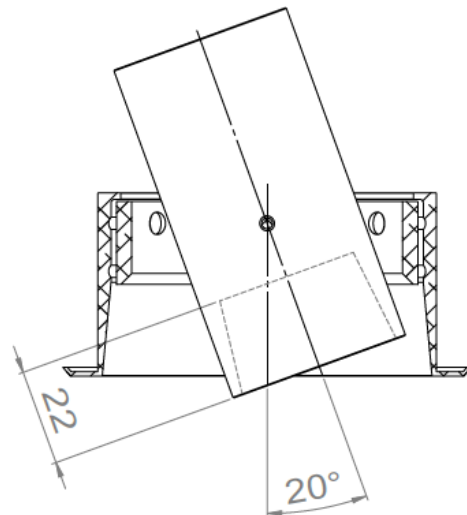
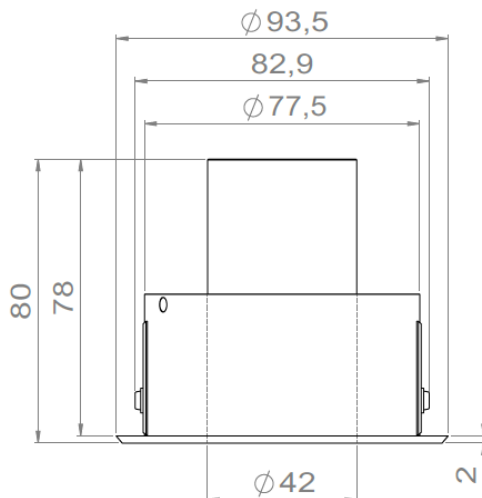
3/7



AURORE D42 TRIM



AURORE D42 TRIM FLUSH



All the connections have to be made before powering up,
otherwise the luminaires could be seriously damaged

Last update : 2025.08.06

4/7

LOUSS

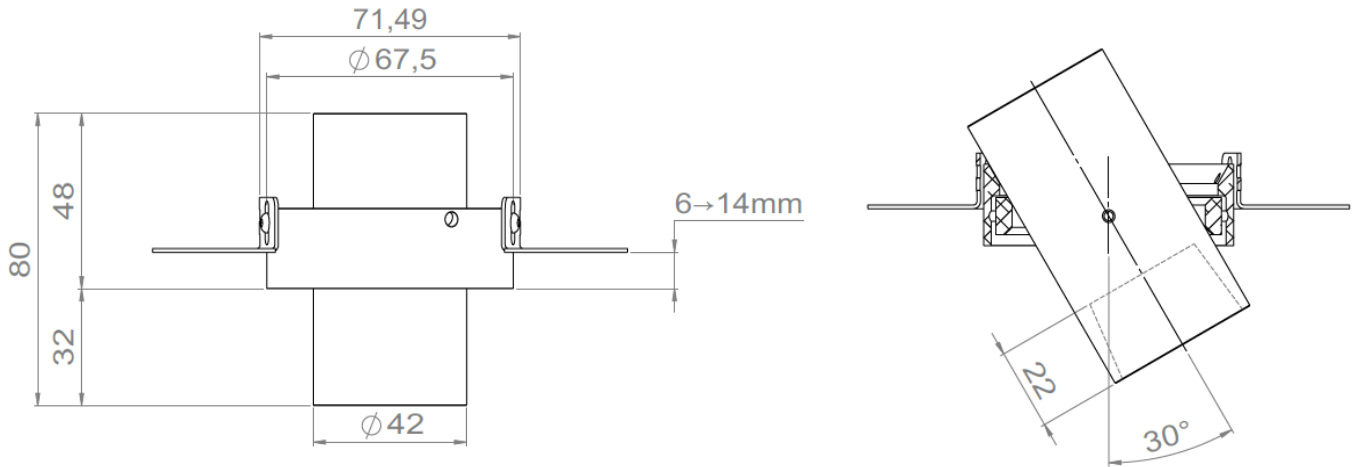
BEST SAS, Capital 200 000€
RCS Dijon B 408 483 485
TVA/VAT n° : FR94 408 483 485
APE 2612Z

Tel. : +33 380 48 65 68
contact@louss.fr
www.louss.fr
Best & LOUSS

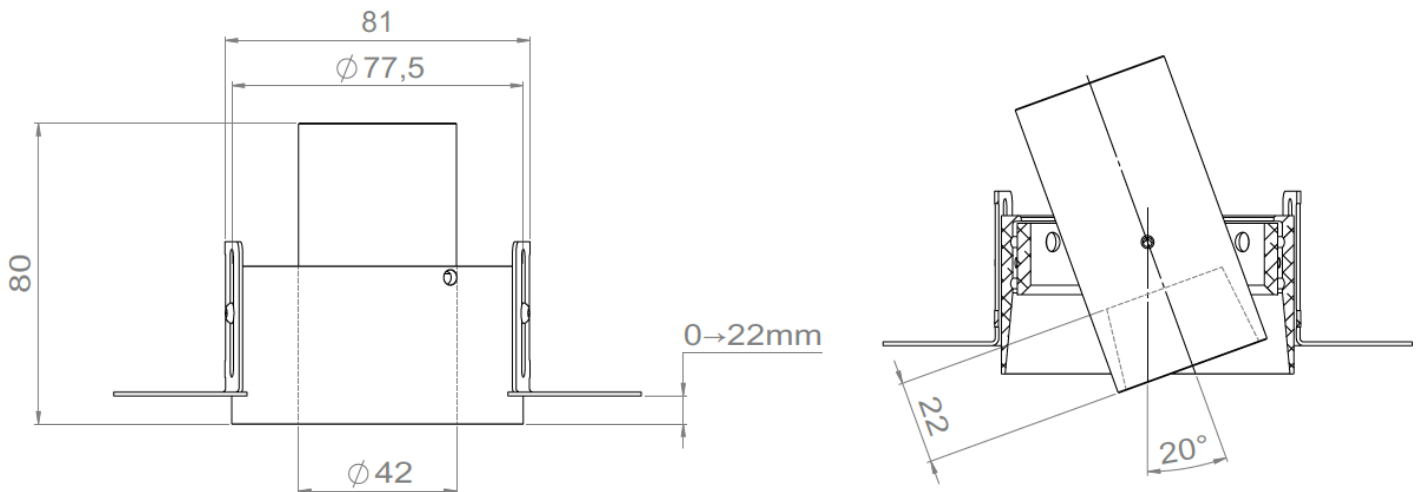
Siège social / Head Office
PA Les Terres d'Or
Route de Saint Philibert
21220 Gevrey Chambertin - FRANCE



AURORE D42 TRIMLESS



AURORE D42 TRIMLESS FLUSH



All the connections have to be made before powering up,
otherwise the luminaires could be seriously damaged

LOUSS

Last update : 2025.08.06

5/7

BEST SAS, Capital 200 000€
RCS Dijon B 408 483 485
TVA/VAT n° : FR94 408 483 485
APE 2612Z

Tel. : +33 380 48 65 68
contact@louss.fr
www.louss.fr
Best & LOUSS

Siège social / Head Office
PA Les Terres d'Or
Route de Saint Philibert
21220 Gevrey Chambertin - FRANCE

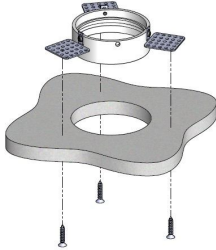


AURORE D42

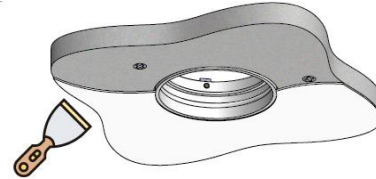
TRIMLESS

TRIMLESS FLUSH

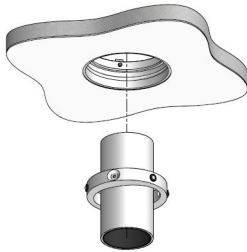
Installation from above



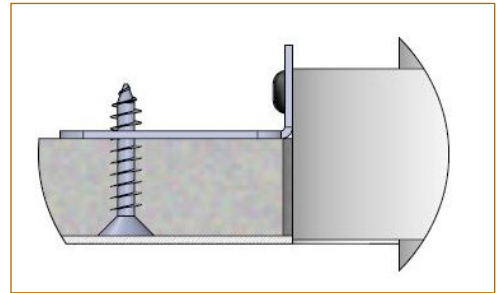
Install the recessed frame from above and screw it into the surface



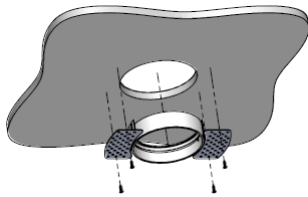
Cover the lateral plates of the recessed frame by coating and painting



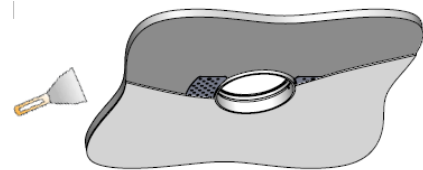
Insert the spotlight from below



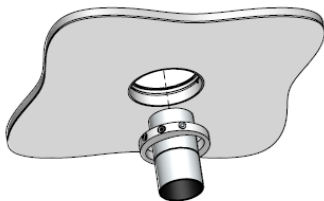
Installation from below



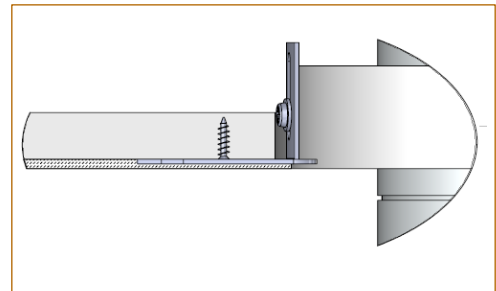
Install the recessed frame from below and screw it into the surface



Cover the lateral plates of the recessed frame by coating and painting



Insert the spotlight from below



All the connections have to be made before powering up, otherwise the luminaires could be seriously damaged



AURORE D42 • Trim • Trim Flush • Trimless • Trimless Flush

LOuss **Permuto** - Easy swap system



LED or COB

Optics

Accessories (filter, honey comb grid)

All the connections have to be made before powering up, otherwise the luminaires could be seriously damaged

Last update : 2025.08.06

7/7

LOuss

BEST SAS, Capital 200 000€
RCS Dijon B 408 483 485
TVA/VAT n° : FR94 408 483 485
APE 2612Z

Tel. : +33 380 48 65 68
contact@louss.fr
www.louss.fr
Best & LOuss

Siège social / Head Office
PA Les Terres d'Or
Route de Saint Philibert
21220 Gevrey Chambertin - FRANCE