

AURORE D40 RECESSED



**Recessed
On-plate**



Trim



**Trim
Flush**



Trimless



**Trimless
Flush**



**Trimless
Magnetic**

Range	Highly adjustable recessed ceiling downlights for general & accent lighting		
Description	<p>Low luminance Rotation 360°</p> <p>Trim, Recessed On-plate, Trimless & Trimless Magnetic : Adjustable tilt 30° Trim Flush & Trimless Flush : Adjustable tilt 20°</p> <p>Optional : Easily changeable LED, optics and accessories on site, without any tool, with integrated Easy Swap system (see page 9)</p>		
Finish	<p>White RAL 9003 matt finish Black RAL 9005 matt finish (other upon request)</p>		
Dimensions	Trim	Trim Flush	Recessed On-plate
	Spotlight diameter : 40mm External diameter : 83.5mm Installation diameter : 67.5mm Installation depth : 46mm	Spotlight diameter : 40mm External diameter : 93.5mm Installation diameter : 77.5mm Installation depth : 78mm	Spotlight diameter : 40mm External diameter : 60mm Installation diameter : 52mm Installation depth : 31mm
	Trimless	Trimless Flush	Trimless Magnetic
	Spotlight diameter : 40mm External diameter : 40mm Installation diameter : 67.5mm Installation depth : 48mm	Spotlight diameter : 40mm External diameter : 40mm Installation diameter : 77.5mm Installation depth : 80mm	Spotlight diameter : 40mm External diameter : 40mm Installation diameter : 67.5mm Installation depth : 48mm
Weight	± 0.15 kg according to version		
LED characteristics	<p>2700K - 3000K - 3500K - 4000K - 5000K (other upon request) MacAdam Ellipse : 3 SDCM CRI90 (standard version) - IRC95, R9 > 80</p>		
Optical beams	<p>6° - 10° - 15° - 20° - 25° - 30° - 35° - 40° - 55° - 60° - Elliptical UGR < 15</p>		
Accessories	Filters, honeycomb grids upon request		
Luminous flux	300 to 800 lumen according to version		
Connection	Supplied with 0.5m cable		
Power supply	Remote constant current driver 350mA to 700mA according to version Dimmable driver upon request		
Power	4W to 10 W according to version		

All the connections have to be made before powering up,
otherwise the luminaires could be seriously damaged



**Recessed
On-plate**



Trim



**Trim
Flush**



Trimless



**Trimless
Flush**



**Trimless
Magnetic**

Use limitations	<p>The product must be installed into a ventilated area</p> <p>Any use with an ambient temperature higher than the specified ambient temperature (Ta) would lead to a more rapid mortality of the product and the withdrawal of our guarantees</p> <p>The drivers, if not delivered by LOuss, must be approved before use</p>
Warranty	<p>Life span: L80-B10 = 35,000 hours (80% remaining flux) at 30°C ambient temperature</p> <p>The warranty applies to components and fabrication supplied by LOuss</p> <p>The warranty does not apply to products that have been opened, modified or repaired and does not cover the effects of a wrong connection, careless, abusive handling, overvoltage, lighting injury, as well as the normal wear of the product</p> <p>All products are electrically tested and receive a functional burn-in</p>

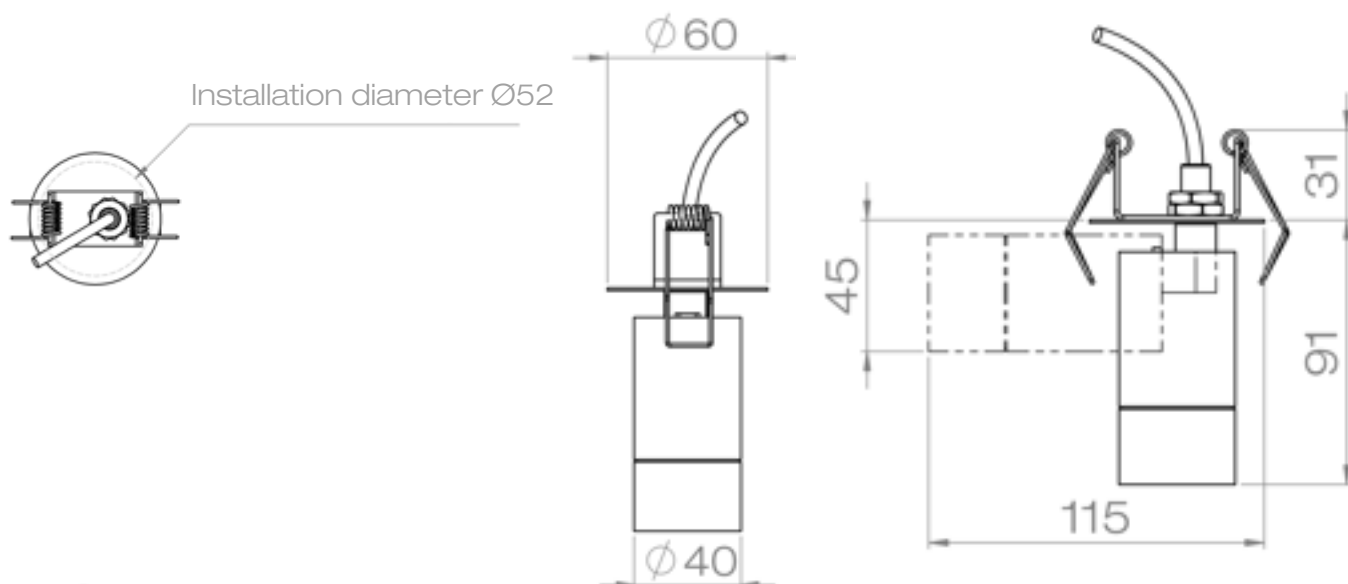
All the connections have to be made before powering up,
otherwise the luminaires could be seriously damaged

Last update : 2025.08.06

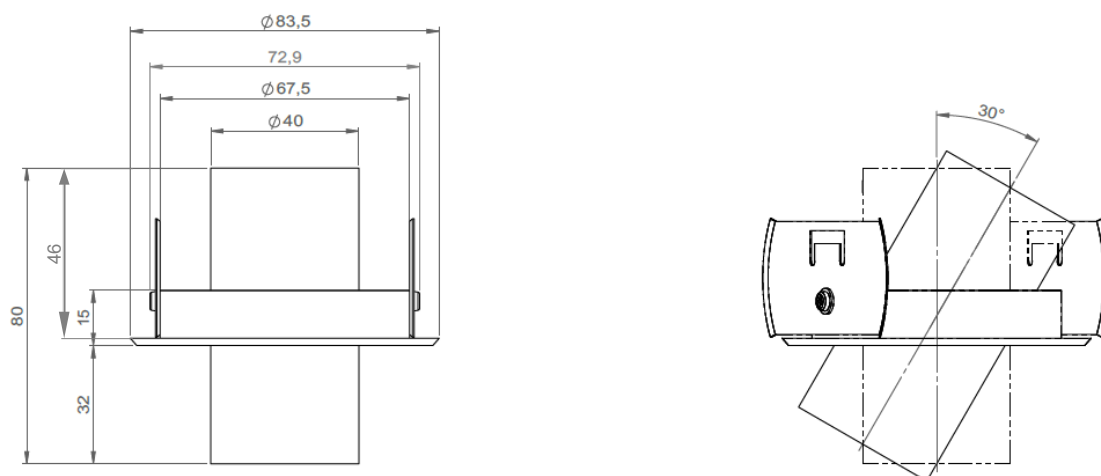
3/9



AURORE D40 RECESSED ON-PLATE



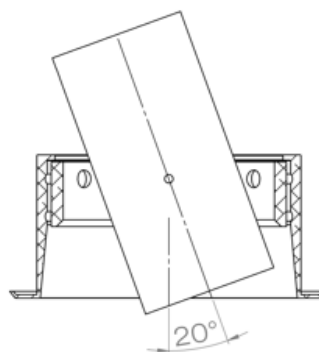
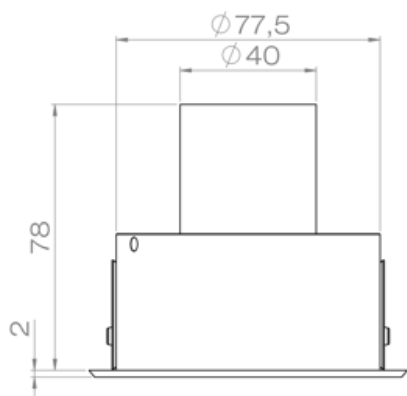
AURORE D40 TRIM



All the connections have to be made before powering up,
otherwise the luminaires could be seriously damaged

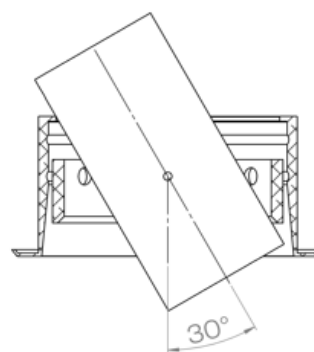
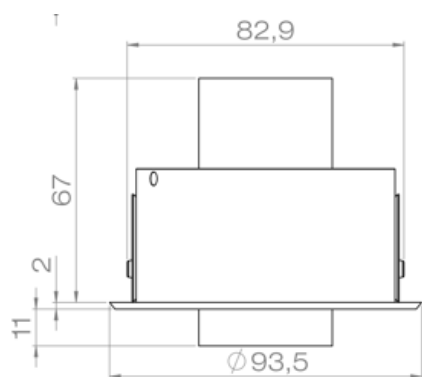


AURORE D40 TRIM FLUSH



Upper position

Insert the luminaire into the **upper position** of the recessed frame to obtain a **flush** luminaire



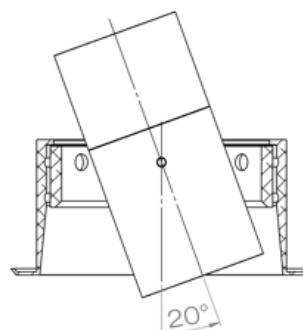
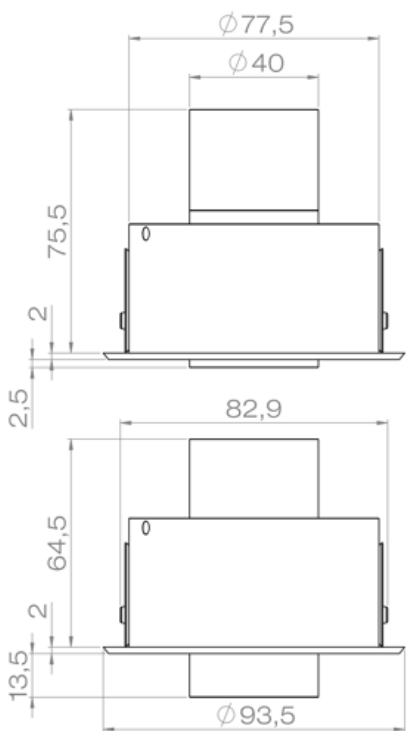
Low position

To obtain **30° orientation** angle, insert the luminaire in the **lowest position**

WARNING :
in this position, the spotlight cannot flush with the ceiling

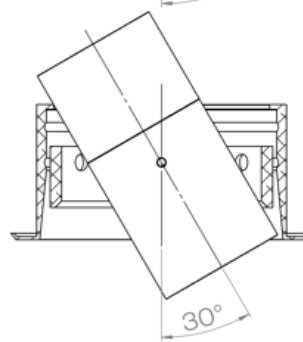
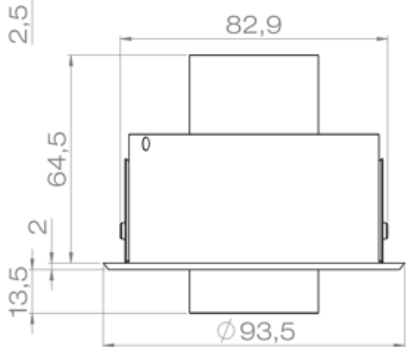


AURORE D40 TRIM FLUSH EASY SWAP



Upper position

Insert the luminaire into the **upper position** of the recessed frame to obtain a **flush** luminaire



Low position

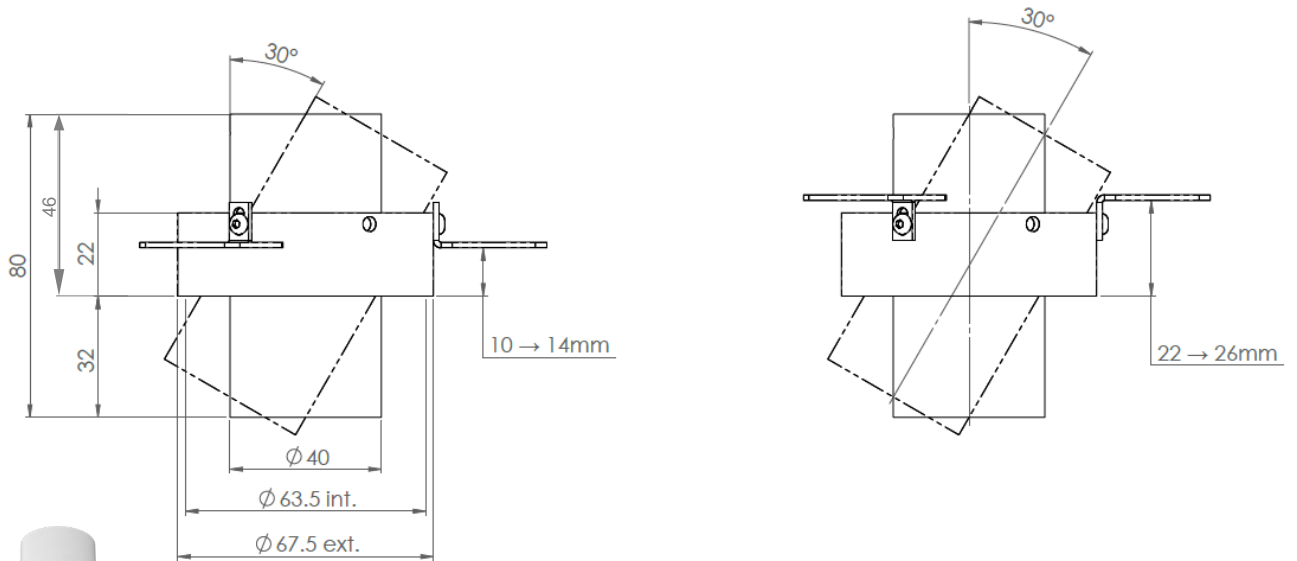
To obtain **30° orientation** angle, insert the luminaire in the **lowest position**

WARNING :
in this position, the spotlight cannot flush with the ceiling

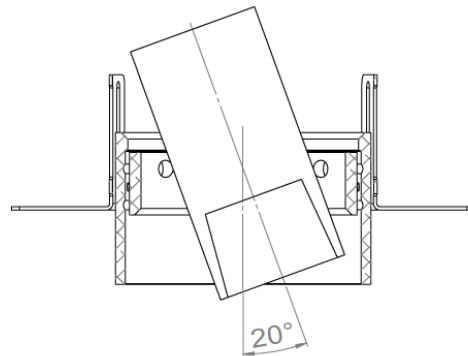
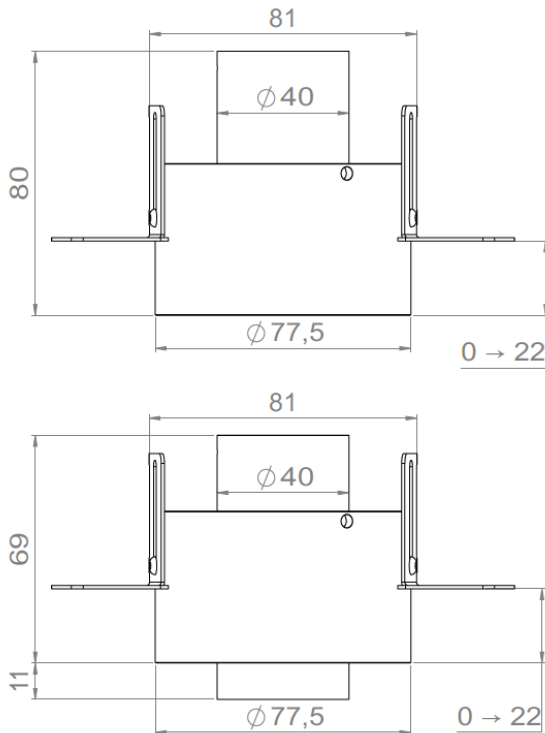
All the connections have to be made before powering up, otherwise the luminaires could be seriously damaged



AURORE D40 TRIMLESS & TRIMLESS EASY SWAP

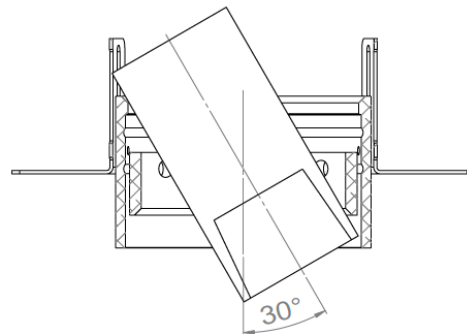


AURORE D40 TRIMLESS FLUSH



Upper position

Insert the luminaire into the upper position of the recessed frame to obtain a flush luminaire



Low position

To obtain 30° orientation angle, insert the luminaire in the lowest position

WARNING :
in this position, the spotlight cannot flush with the ceiling

All the connections have to be made before powering up, otherwise the luminaires could be seriously damaged

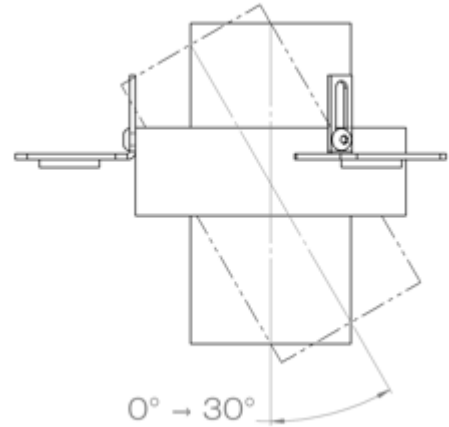
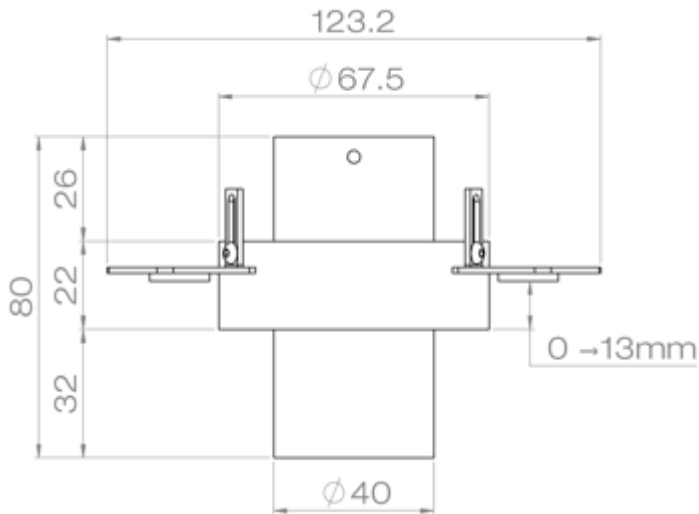
LOUSS

Last update : 2025.08.06

6/9



AURORE D40 TRIMLESS MAGNETIC



All the connections have to be made before powering up,
otherwise the luminaires could be seriously damaged

Last update : 2025.08.06

LOUSS

BEST SAS, Capital 200 000€
RCS Dijon B 408 483 485
TVA/VAT n° : FR94 408 483 485
APE 2612Z

Tel. : +33 380 48 65 68
contact@louss.fr
www.louss.fr
Best & LOUSS

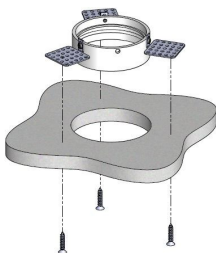
Siège social / Head Office
PA Les Terres d'Or
Route de Saint Philibert
21220 Gevrey Chambertin - FRANCE

7/9

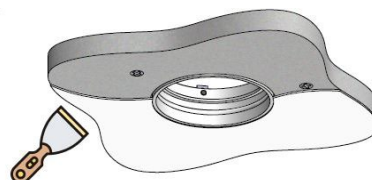


AUORE D40 • TRIMLESS • TRIMLESS FLUSH • TRIMLESS MAGNETIC

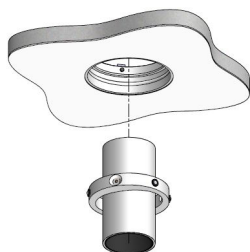
Installation from above



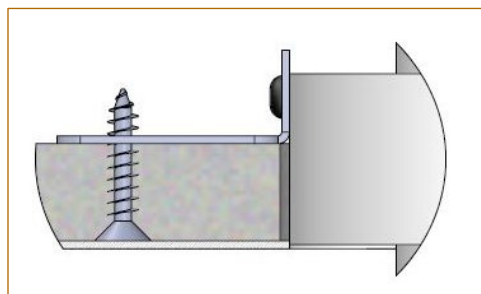
Install the recessed frame from above and screw it into the surface



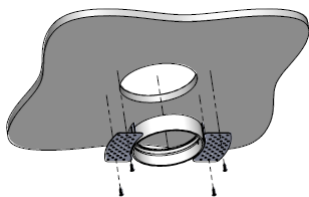
Cover the lateral plates of the recessed frame by coating and painting



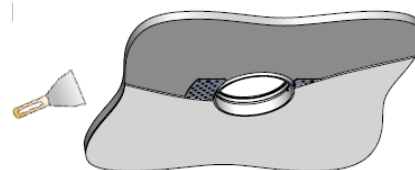
Insert the spotlight from below



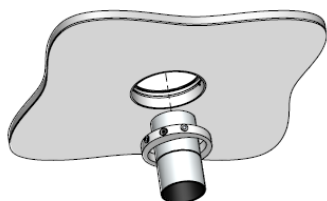
Installation from below



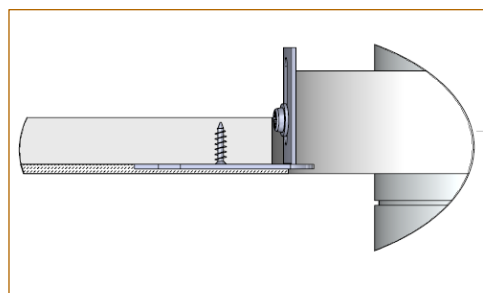
Install the recessed frame from below and screw it into the surface



Cover the lateral plates of the recessed frame by coating and painting



Insert the spotlight from below



All the connections have to be made before powering up, otherwise the luminaires could be seriously damaged



Recessed On-plate



Trim



Trim Flush



Trimless



Trimless Flush



Trimless Magnetic

Easy Swap system



Recessed frame (according to version)

LED / COB

Luminaire's body

Optics

Accessories (filters, honeycomb grid)

Insert

All the connections have to be made before powering up, otherwise the luminaires could be seriously damaged

Last update : 2025.08.06

9/9

LOUSS

BEST SAS, Capital 200 000€
RCS Dijon B 408 483 485
TVA/VAT n° : FR94 408 483 485
APE 2612Z

Tel. : +33 380 48 65 68
contact@louss.fr
www.louss.fr
Best & LOUSS

Siège social / Head Office
PA Les Terres d'Or
Route de Saint Philibert
21220 Gevrey Chambertin - FRANCE