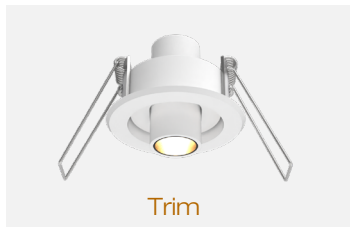




# AURORE D22 RECESSED



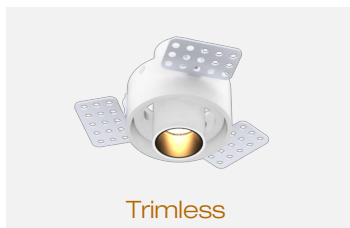
Trim



Trim Flush



Trim Short



Trimless



Trimless Flush



Trimless Short



Trimless Pivot

## AURORE D22 RECESSED

<b>Range</b>	Highly adjustable recessed ceiling downlights for general & accent lighting	
<b>Description</b>	Low luminance Rotation 360° Trim, Trim Short, Trimless & Trimless Short : Adjustable tilt 30° Trim Flush & Trimless Flush : Adjustable tilt 20° Trimless Pivot : Adjustable tilt 90°	
<b>Finish</b>	Black RAL 9005 matt finish White RAL 9003 matt finish (other upon request)	
<b>Dimensions &amp; installation</b>	<b>Trim &amp; Trim Flush</b>	<b>Trimless &amp; Trimless Flush</b>
	Spotlight diameter : 22mm Installation diameter : 44.5mm Product height : 51mm (no specific tool required)	Spotlight diameter : 22mm Installation diameter : 44.5mm Product height : 50mm - Trimless 53.5mm - Trimless Flush
	<b>Trim Short</b>	<b>Trimless Short</b>
	Spotlight diameter : 22mm Installation diameter : 44.5mm Product height : 51mm (no specific tool required)	Spotlight diameter : 22mm Installation diameter : 44.5mm Product height : 36.7mm
		<b>Trimless Pivot</b>
	Spotlight diameter : 22mm Installation diameter : 44.5mm Spotlight length : 51mm Product height : 67mm Net weight : 0.106 kg	
<b>Weight</b>	± 0.06 kg according to version	
<b>LED characteristics</b>	2000K - 2200K - 2700K - 3000K - 3500K - 4000K - 4500K (other upon request) Mix of 2 color temperatures MacAdam Ellipse : 3 SDCM CRI : 90 - 95 - 98	

All the connections have to be made before powering up,  
otherwise the luminaires could be seriously damaged



Trim



Trim Flush



Trim Short



Trimless



Trimless Flush



Trimless Short



Trimless Pivot

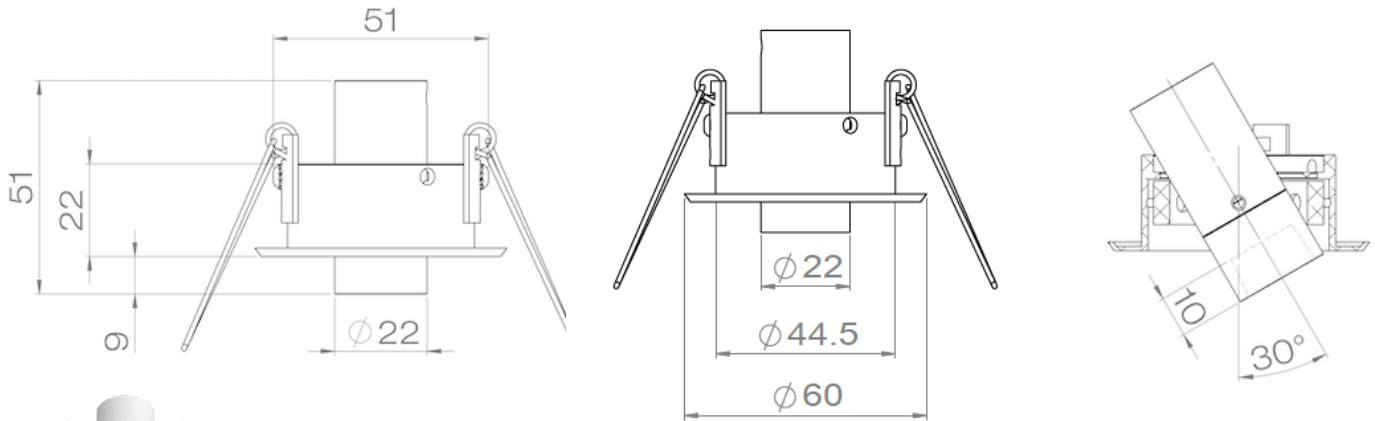
## AURORE D22 RECESSED

<b>Optical beams</b>	11° - 15° - 19° - 24° - 30° - 35° - 40° - 12°x70° - 14°x38° - 22°x35° UGR < 15			
<b>Accessories</b>	Frosted filter (optional)			
<b>Photometry</b>	<b>Reference</b>	<b>Beam</b>	<b>Lumen</b>	<b>Candela</b>
<b>3000K - CRI 90</b>	2536B	11°	166	3,616
	2537B	35°	150	451
	2535B	12°x70°	133	519
	2534B	14°x38°	162	812
	2539B	22°x35°	99	356
<b>3500K - CRI 90</b>	2536A	11°	174	3,805
	2211B	19°	148	1,001
	2538A	24°	168	1,022
	2537A	35°	158	475
<b>Connection</b>	Supplied with 0.50m cable			
<b>Power supply</b>	Remote constant current driver Dimmable driver upon request			
<b>Power</b>	Trim • Trim Flush Trimless • Trimless Flush • Trimless Pivot		Trim Short • Trimless Short	
	3W at 900mA max		2W at 700mA max	
<b>Use limitations</b>	The product must be installed into a ventilated area. Any use with an ambient temperature higher than the specified ambient temperature (Ta) would lead to a more rapid mortality of the product and the withdrawal of our guarantees. The drivers, if not delivered by LOuss, must be approved before use			
<b>Warranty</b>	Life span: L80-B10 = 35,000 hours (80% remaining flux) at 30°C ambient temperature The warranty applies to components and fabrication supplied by LOuss. The warranty does not apply to products that have been opened, modified or repaired and does not cover the effects of a wrong connection, careless, abusive handling, overvoltage, lighting injury, as well as the normal wear of the product. All products are electrically tested and receive a functional burn-in			

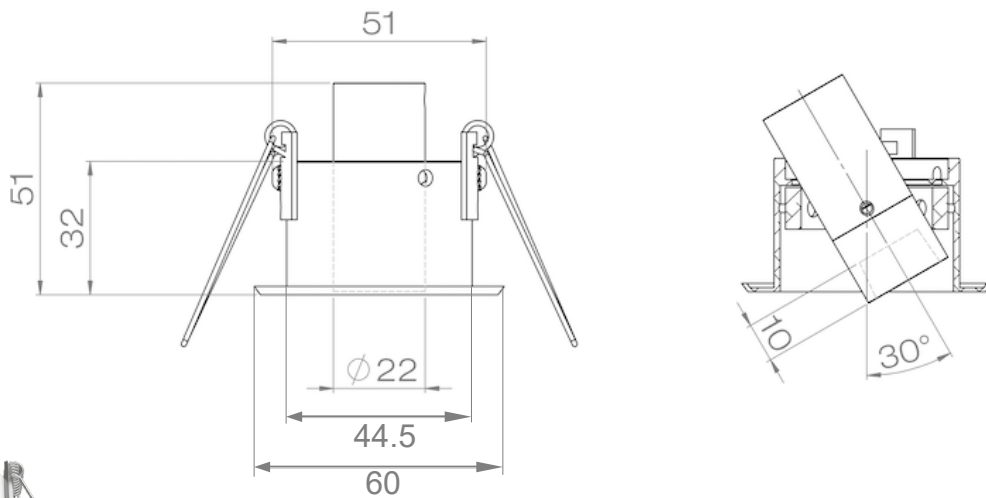
All the connections have to be made before powering up,  
otherwise the luminaires could be seriously damaged



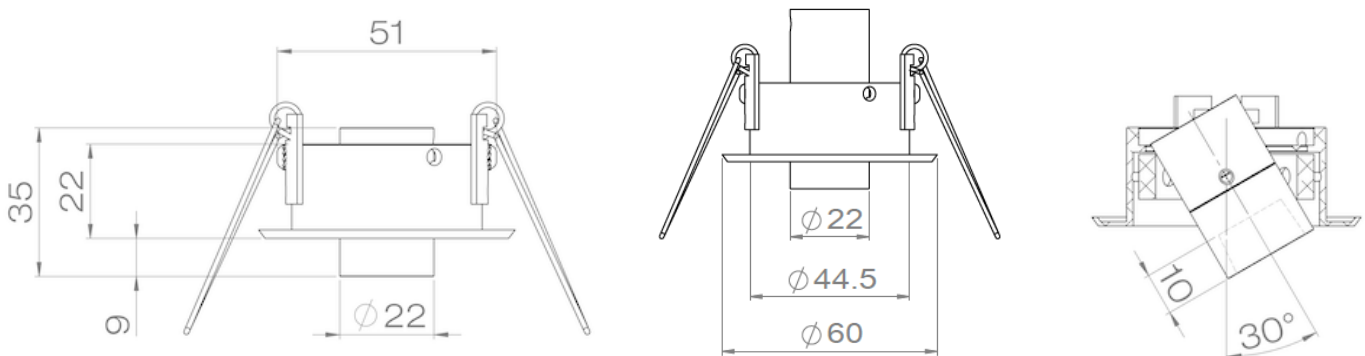
## AURORE D22 TRIM



## AURORE D22 TRIM FLUSH



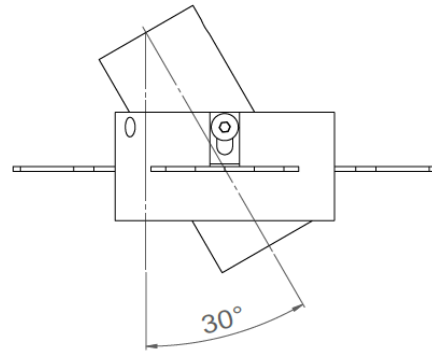
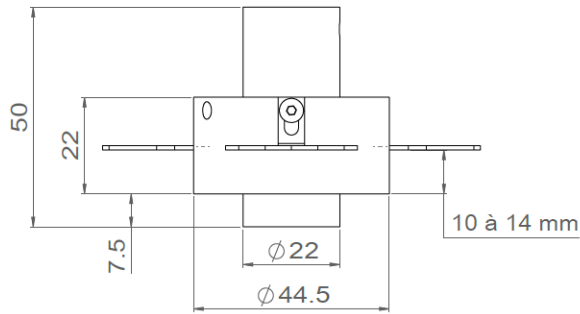
## AURORE D22 TRIM SHORT



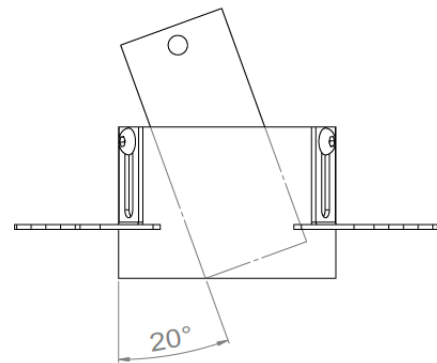
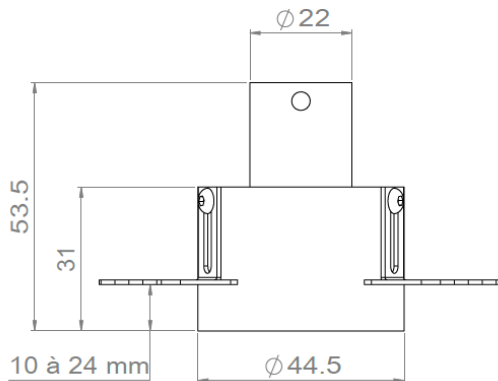
All the connections have to be made before powering up,  
otherwise the luminaires could be seriously damaged



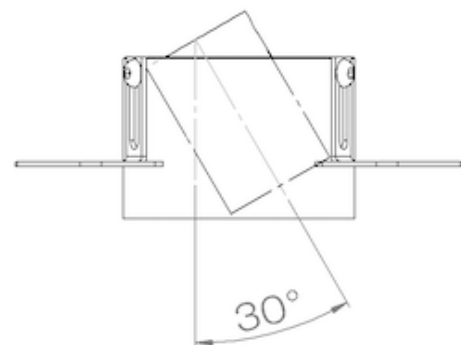
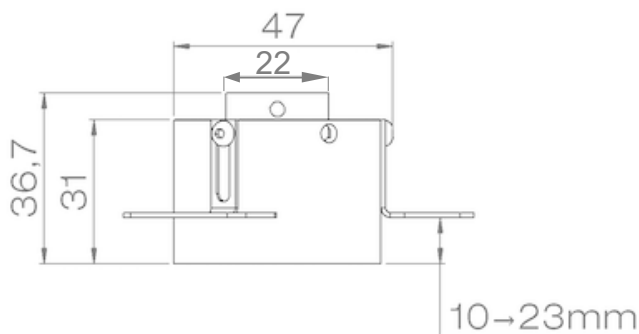
## AURORE D22 TRIMLESS



## AURORE D22 TRIMLESS FLUSH



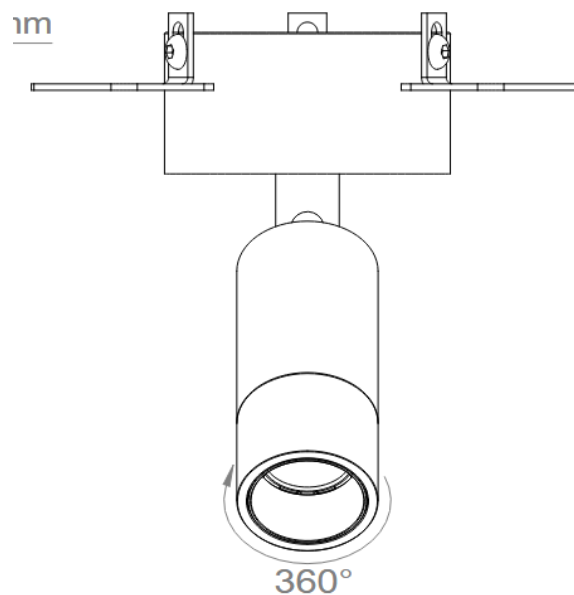
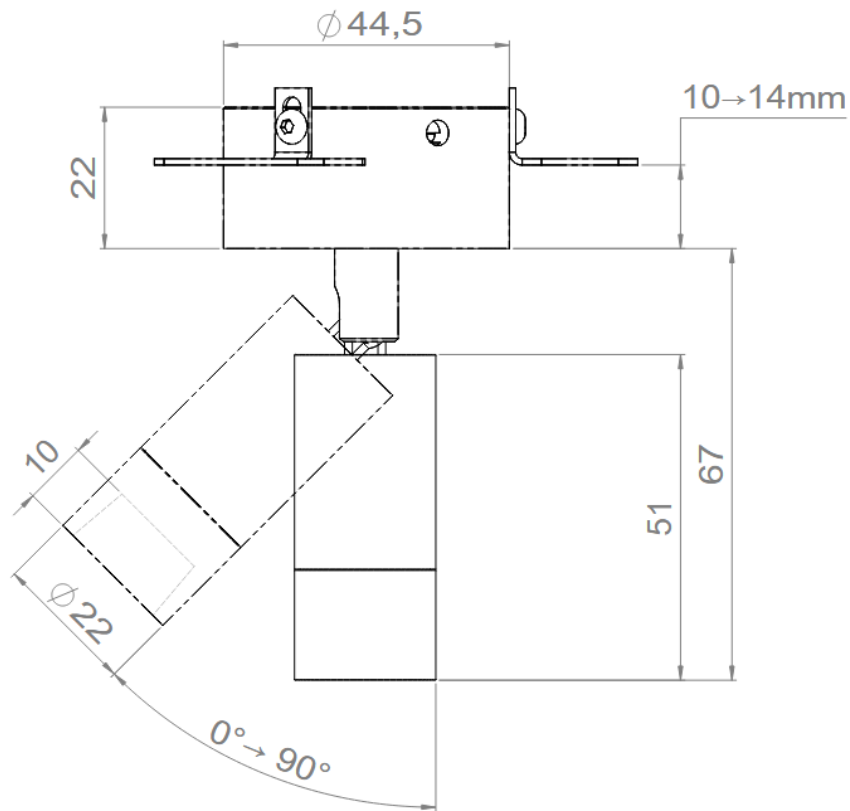
## AURORE D22 TRIMLESS SHORT



All the connections have to be made before powering up,  
otherwise the luminaires could be seriously damaged



## AURORE D22 TRIMLESS PIVOT



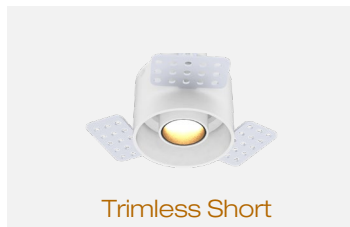
All the connections have to be made before powering up,  
otherwise the luminaires could be seriously damaged



Trimless



Trimless Flush

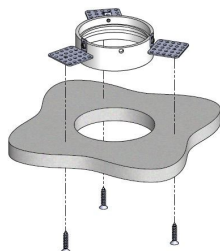


Trimless Short

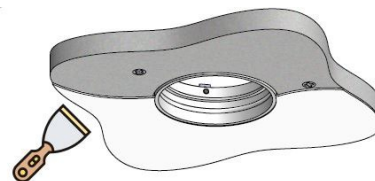


Trimless Pivot

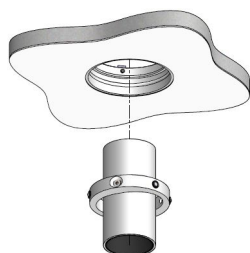
### Installation from above



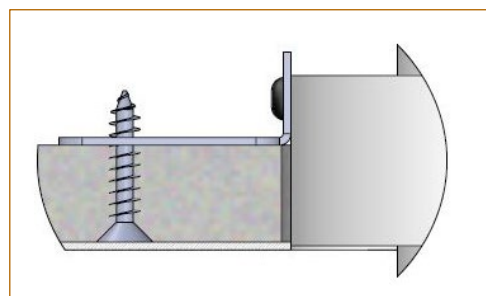
Install the recessed box from above and screw it onto the surface



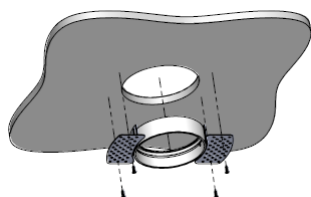
Cover the lateral plates of the recessed box by coating and painting



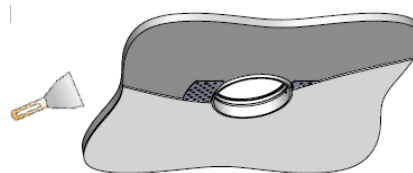
Insert the spotlight from below



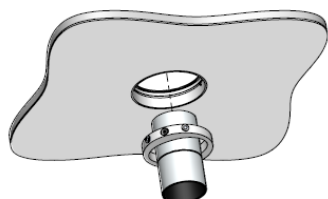
### Installation from below



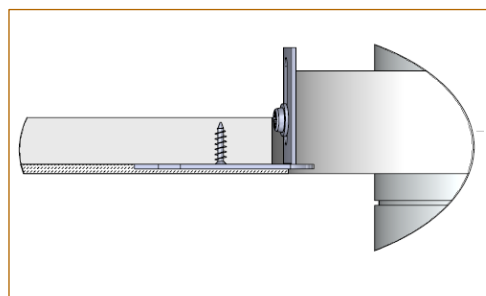
Install the recessed box from below and screw it onto the surface



Cover the lateral plates of the recessed box by coating and painting



Insert the spotlight from below



All the connections have to be made before powering up, otherwise the luminaires could be seriously damaged