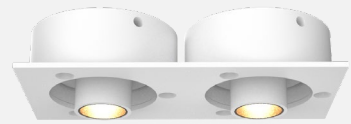
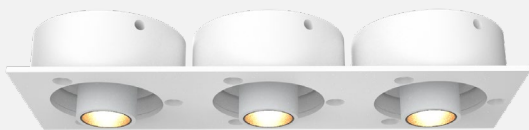




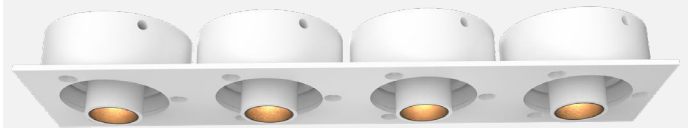
Aurore D22 Solo



Aurore D22 Duo



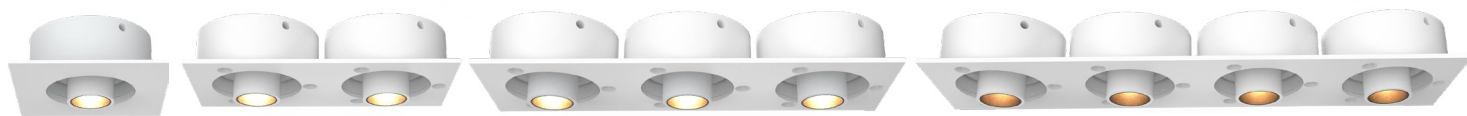
Aurore D22 Trio



Aurore D22 Quattro



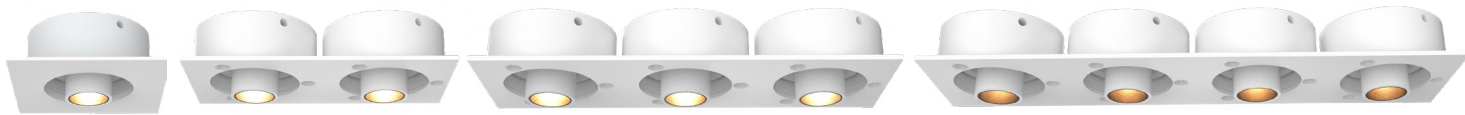
AURORE D22 ON PLATE



AURORE D22 • SOLO • DUO • TRIO • QUATTRO

Range	Highly adjustable recessed ceiling downlights on plate for general & accent lighting			
Description	1 low luminance LED spot on a metal plate or a cluster of 2, 3 or 4 low luminance LED spots on metal plate Rotation 360° - Adjustable tilt 30°			
Finish	Black RAL 9005 matt finish - White RAL 9003 matt finish (other upon request)			
Dimensions	Spotlight		Metal plate	
	Diameter : 22mm Height : 34.7mm (with metal plate) Center distance between 2 spots : 60mm		Solo : 60x60mm	Duo : 120x60mm
Net weight	Solo : 0.480 kg Duo : 0.360 kg Trio : 0.240 kg Quattro : 0.120 kg			
LED characteristics	2200K - 2700K - 3000K - 3500K - 4000K - 5000K (other upon request) MacAdam ellipse : 3 SDCM (standard) CRI : 90 - 95 - 98 UGR < 15			
Optical beams	11° - 19° - 24° - 35° - 12°x70° - 14°x38° - 22°x35°			
Photometry/spotlight	Reference	Beam	Lumen	Candela
3000K - CRI 90 R9 > 80	2536B	11°	166	3,616
	2537B	35°	150	451
	2535B	12°x70°	133	519
	2534B	14°x38°	162	812
	2539B	22°x35°	99	356
3500K - CRI 90 R9 > 80	2536A	11°	174	3,805
	2211B	19°	148	1,001
	2538A	24°	168	1,022
	2537A	35°	158	475
Power	Solo : 2W at 700mA max Duo : 4W at 700mA max Trio : 6W at 700mA max Quattro : 8W at 700mA max			
Power supply	Remote constant current driver 700mA max Dimmable driver upon request			

All the connections have to be made before powering up,
otherwise the luminaires could be seriously damaged



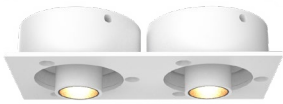
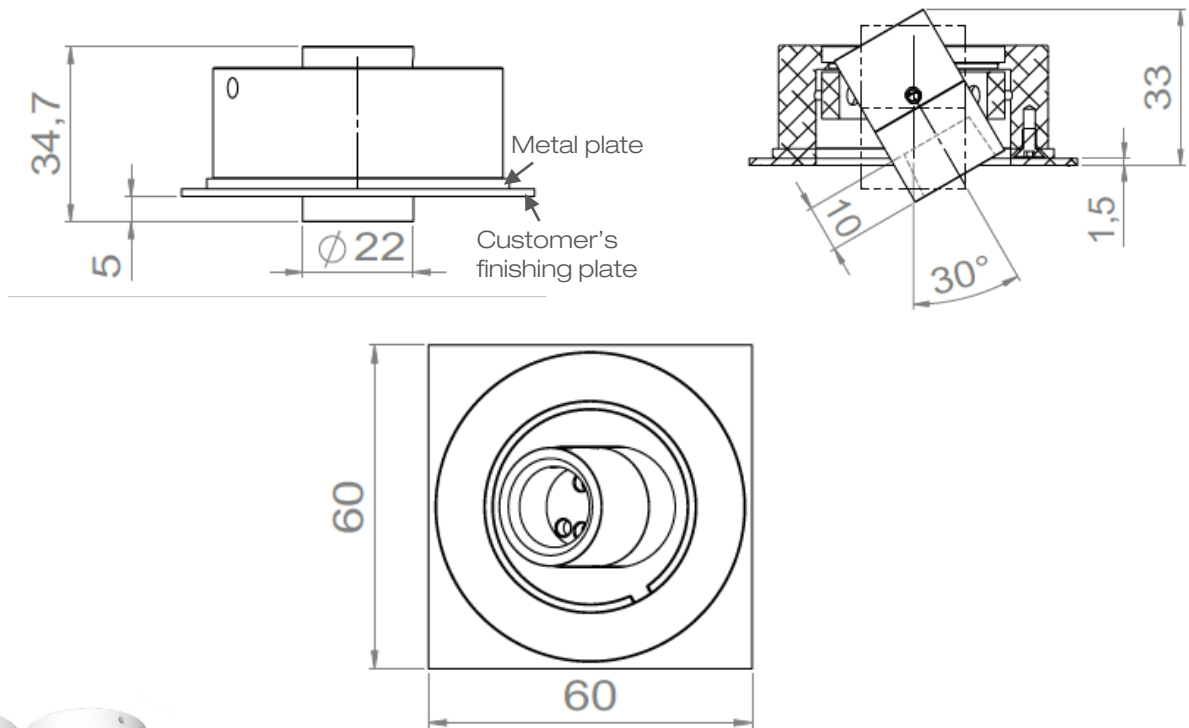
AURORE D22 • SOLO • DUO • TRIO • QUATTRO

<p>Use limitations</p>	<p>The product must be installed into a ventilated area</p> <p>Any use with an ambient temperature higher than the specified ambient temperature (Ta) would lead to a more rapid mortality of the product and the withdrawal of our guarantees</p> <p>The drivers, if not delivered by LOuss, must be approved before use</p>
<p>Warranty</p>	<p>Life span: L80-B10 = 35,000 hours (80% remaining flux) at 30°C ambient temperature</p> <p>The warranty applies to components and fabrication supplied by Louss</p> <p>The warranty does not apply to products that have been opened, modified or repaired and does not cover the effects of a wrong connection, careless, abusive handling, overvoltage, lighting injury, as well as the normal wear of the product</p> <p>All products are electrically tested and receive a functional burn-in</p>

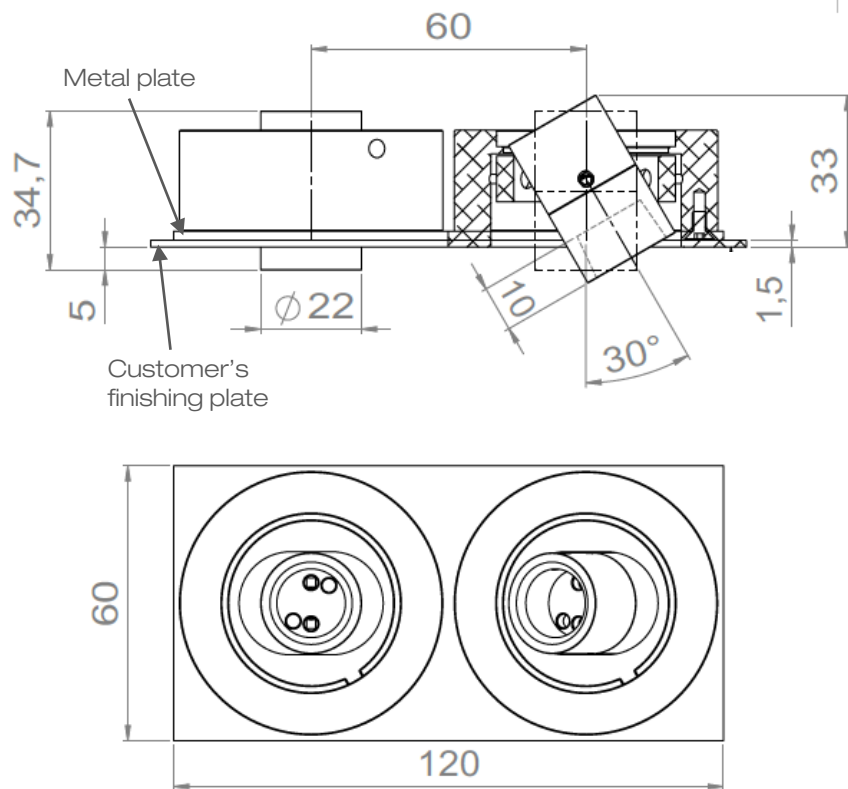
All the connections have to be made before powering up,
otherwise the luminaires could be seriously damaged



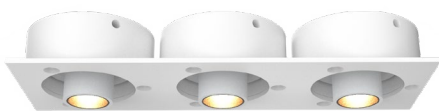
AURORE D22 SOLO



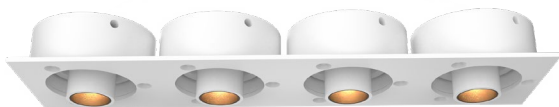
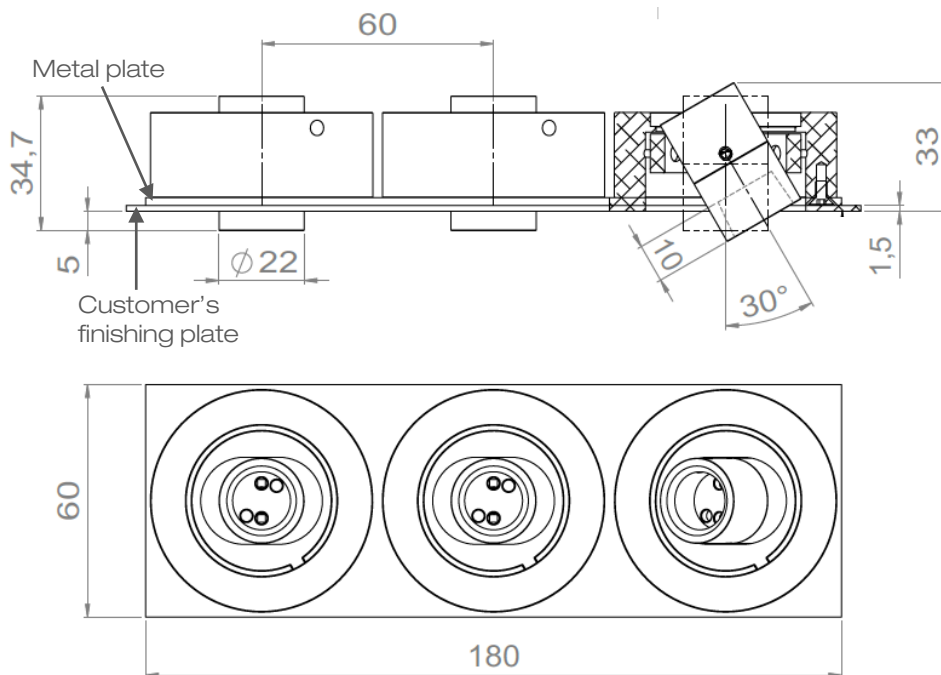
AURORE D22 DUO



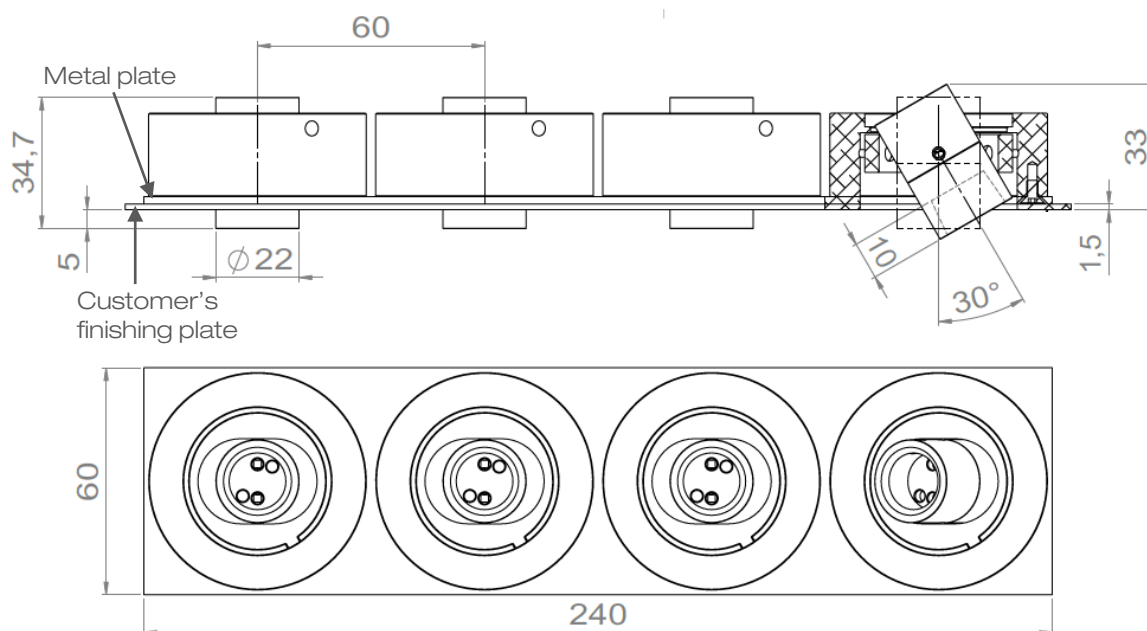
All the connections have to be made before powering up,
otherwise the luminaires could be seriously damaged



AURORE D22 TRIO



AURORE D22 QUATTRO



All the connections have to be made before powering up,
otherwise the luminaires could be seriously damaged