

Wall-Mounted



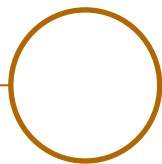
Suspended



Mounting Bracket



Recessed



ELIS D100



ELIS D100 • Wall-Mounted • Suspended • Mounting Bracket • Recessed

Range	Non-directable low luminance luminaire for general and accent lighting			
Description	Low luminance Non-directable (Mounting bracket version : 90° tilt)			
Finish	Black anodized aluminum heatsink Aluminum spotlight body painted in black RAL 9005 matt finish (other upon request)			
Installation	Wall-Mounted, Suspended & Mounting Bracket versions : Surface mounting Recessed version : To be flush-mounted under false ceiling with mobile mounting brackets supplied Luminaire's fixing method must be adapted to the nature of the support and must withstand a weight of 2.5kg, i.e. 5 times the weight of the luminaire			
Dimensions	Wall-Mounted		Suspended	
	Spotlight diameter : 100mm Spotlight length : 200mm Rod length : upon request Plate diameter : 80mm Straight or Sloped version		Spotlight diameter : 100mm Spotlight length : 200mm Rod length : 40mm to 1,000mm (upon request) Plate diameter : 60mm Total height : 150mm to 610mm Solo or Cluster (4 or 6 spots) version	
	Mounting Bracket		Recessed	
	Spotlight diameter : 100mm Spotlight length : 200mm Mounting bracket height : 77mm Plate diameter : 80mm Total height : 277mm		Spotlight diameter : 100mm Installation diameter : 70mm Spotlight length : 200mm Rod length : 40mm to 300mm (upon request) Total height : 240mm to 500mm	
Net weight	Wall-Mounted	Suspended	Mounting Bracket	Recessed
	1.55 kg to 1.95 kg	1.55 kg to 1.95 kg	1.8 kg	1.7 kg to 1.8 kg
LED characteristics	2700K – 3000K – 4000K (other upon request) Ellipse MacAdam : 3 SDCM CRI 90			
Optical beams	44° - 53° - 58° - 73° - 91° - 93° - 120° - 150° - 40°x70° elliptical MacAdam ellipse : 3 SDCM UGR < 15			
Accessories	Filters, honeycomb grid upon request			
Luminous flux	3,600 lumen luminaire's output at 1,400mA max.			

All the connections have to be made before powering up, otherwise the luminaires could be seriously damaged
Supplying these luminaires with constant voltage may cause irreversible damage



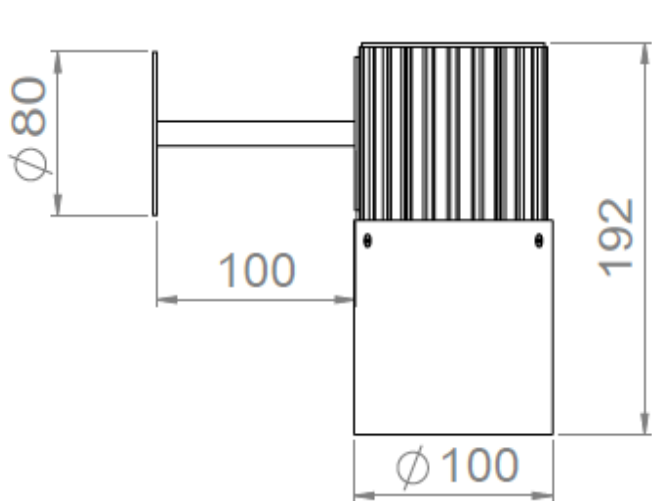
ELIS D100 • Wall-Mounted • Suspended • Mounting Bracket • Recessed

Connection	Supplied with 0.5m cable (more length upon request)
Power supply	1400mA max. external constant current driver, SELV type, compliant with EN 61347-2-13 standard For the US & Canada, use a driver UL class 2
Power	48W – 34V max.
Use limitations	The product must be installed into a ventilated area Any use with an ambient temperature higher than the specified ambient temperature (Ta) would lead to a more rapid mortality of the product and the withdrawal of our guarantees The drivers, if not delivered by LOuss, must be approved before use
Warranty	Life span: L80B10 at 50,000 hours (80% remaining flux) at 25°C ambient temperature 3-year parts and labor warranty The warranty does not apply to products that have been opened, modified or repaired and does not cover the effects of a wrong connection, careless, abusive handling, overvoltage, lighting injury, as well as the normal wear of the product All products are electrically tested and received a functional burn-in

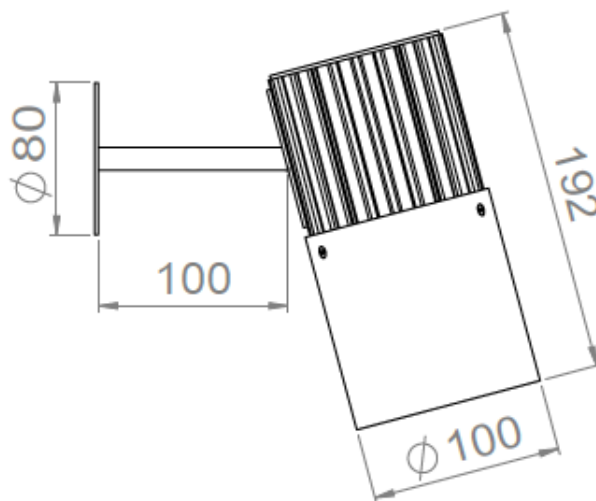
All the connections have to be made before powering up, otherwise the luminaires could be seriously damaged
Supplying these luminaires with constant voltage may cause irreversible damage



ELIS D100 WALL-MOUNTED



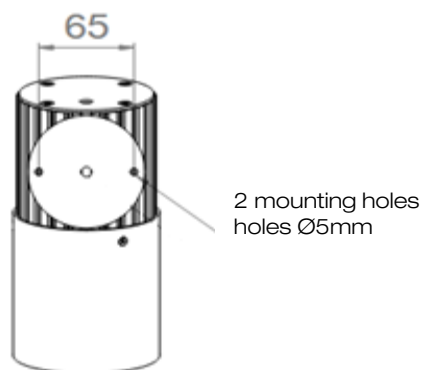
Straight version



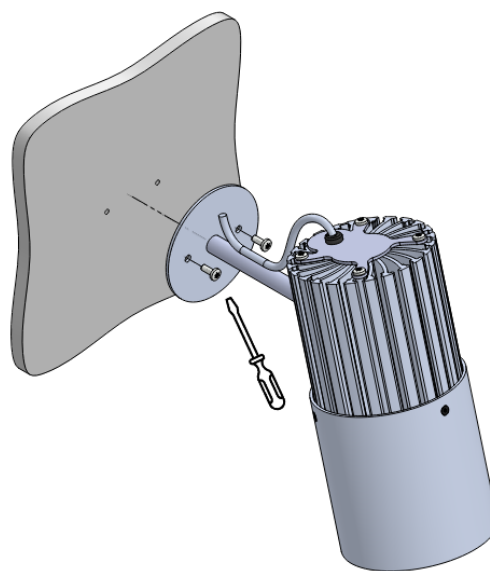
Sloped version

Installation guide

- 1 Make sure that the installation's surface can endure the weight of the luminaire (max. 2 kg depending on version).
- 2 Drill 2 holes in the round metal plate according to the indications below



- 3 Screw in the 2 screws
- 4 Connect the luminaire to the driver

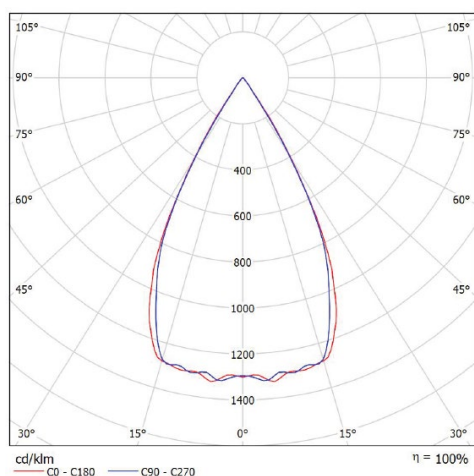


All the connections have to be made before powering up, otherwise the luminaires could be seriously damaged
Supplying these luminaires with constant voltage may cause irreversible damage

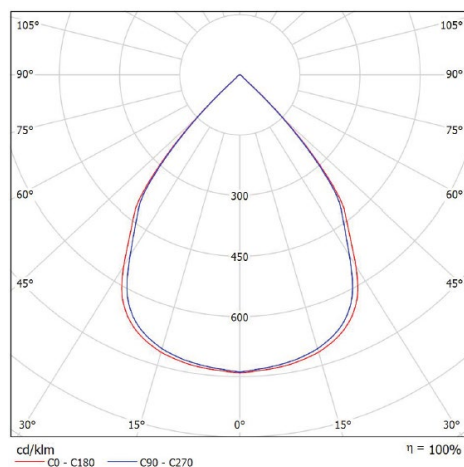


ELIS D100 WALL-MOUNTED

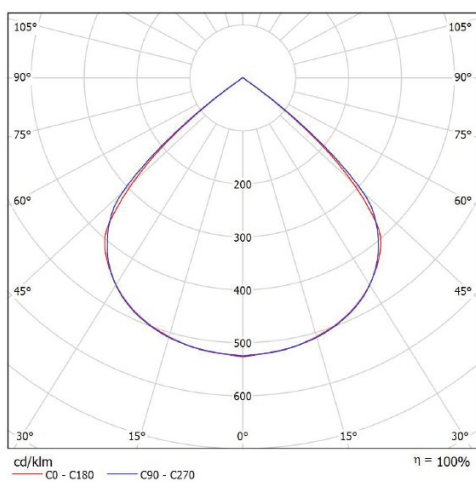
Optical beams



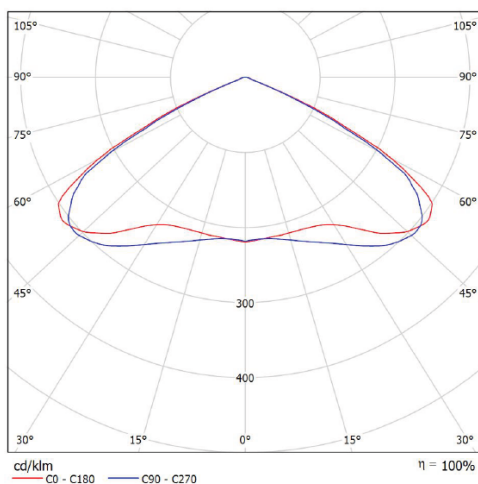
44° version



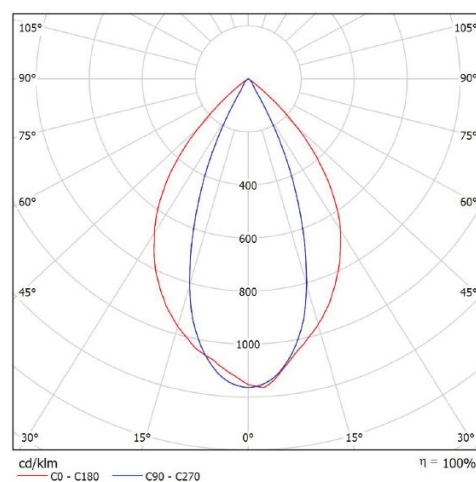
58° version



93° version



150° version



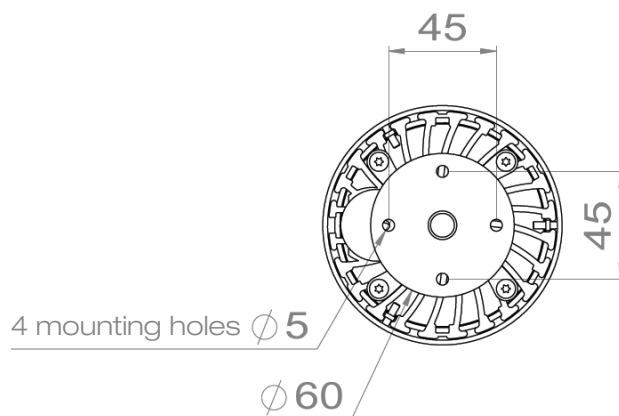
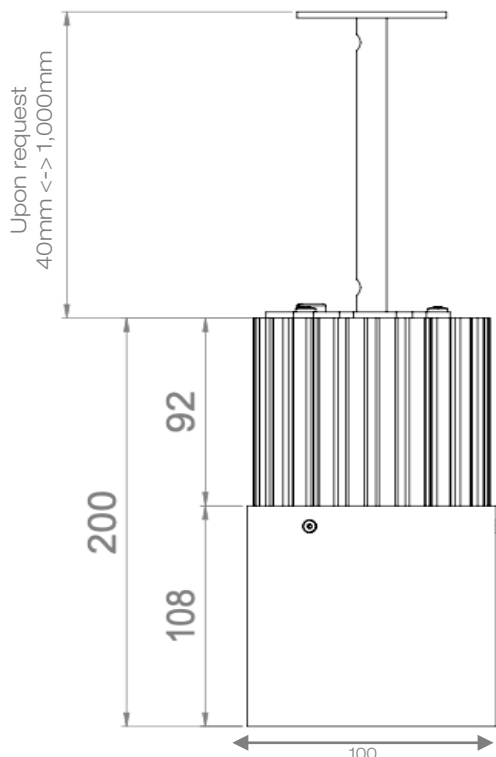
40°x70° elliptical

All the connections have to be made before powering up, otherwise the luminaires could be seriously damaged
Supplying these luminaires with constant voltage may cause irreversible damage



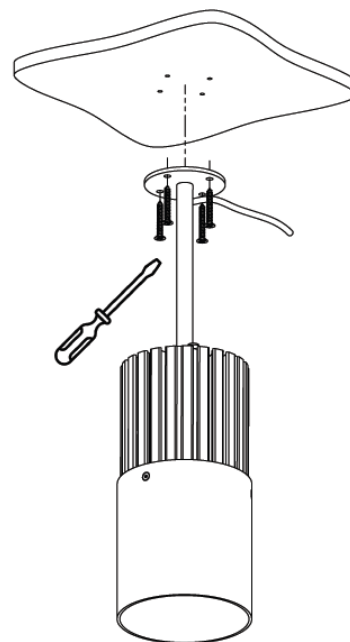
ELIS D100 SUSPENDED

Dimensions



Installation guide

- 1 Make sure that the support can endure the weight of the luminaire (2.5 kg max. depending on version)
- 2 Drill 4 holes in the round metal plate (see dimensions above)
- 3 Screw in the 4 screws
- 4 Connect the luminaire to the driver

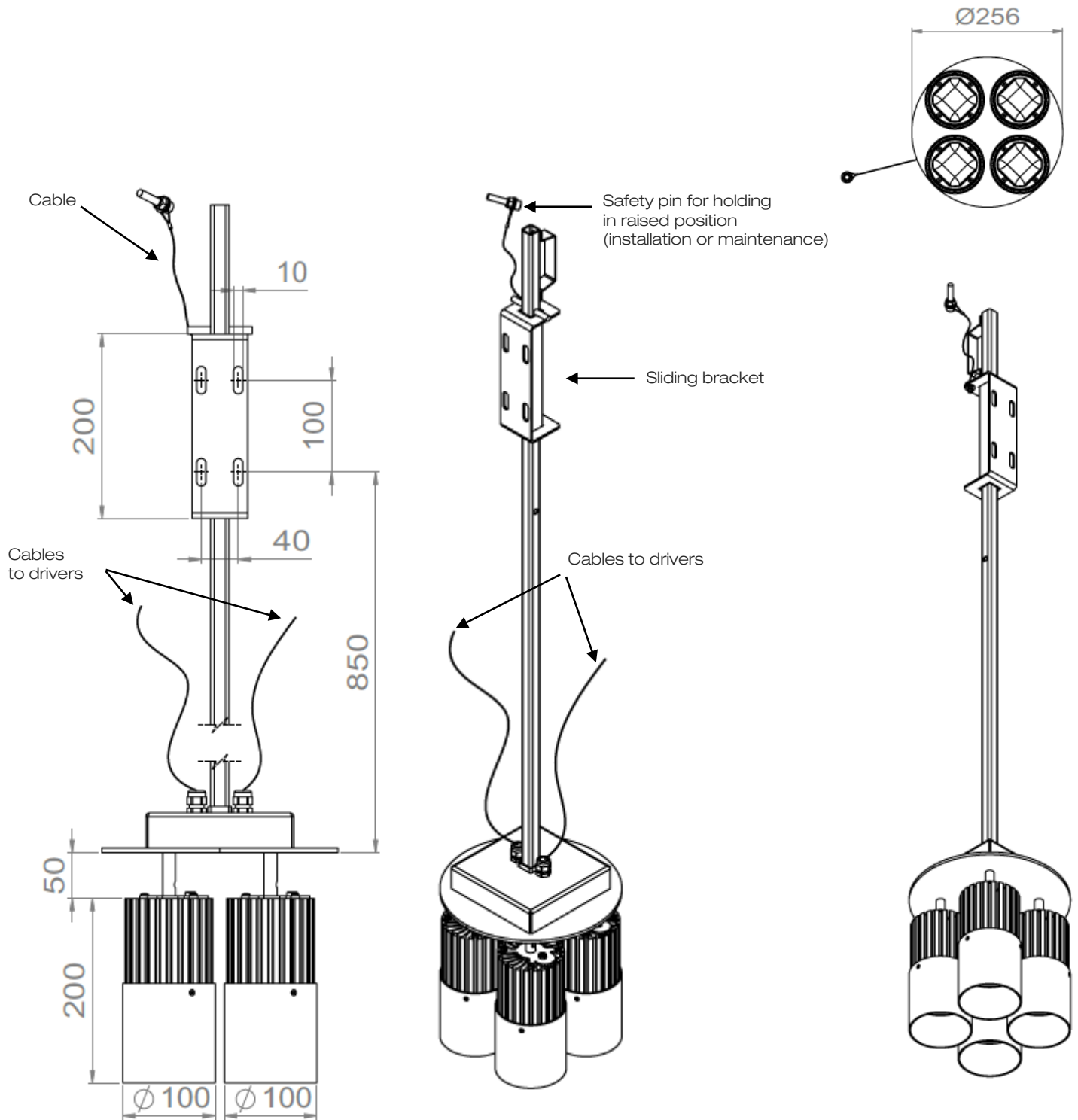


All the connections have to be made before powering up, otherwise the luminaires could be seriously damaged
Supplying these luminaires with constant voltage may cause irreversible damage



ELIS D100 SUSPENDED

4 Spotlights Cluster

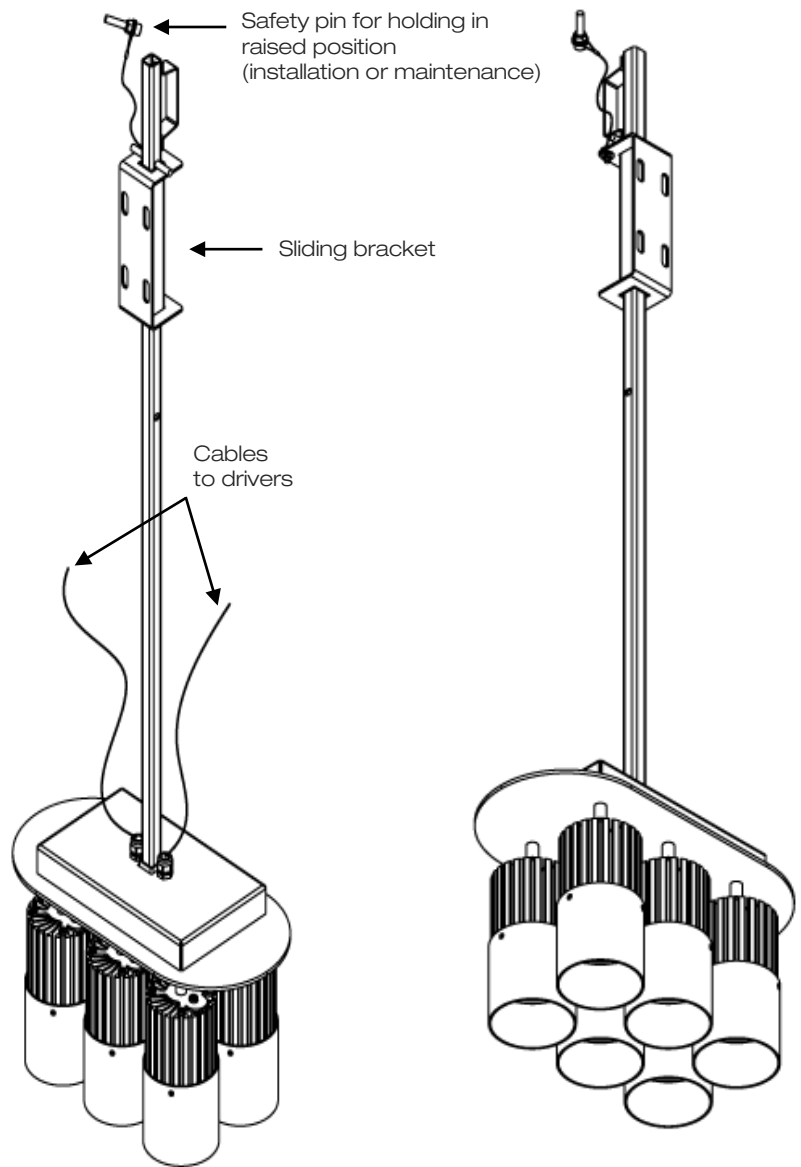
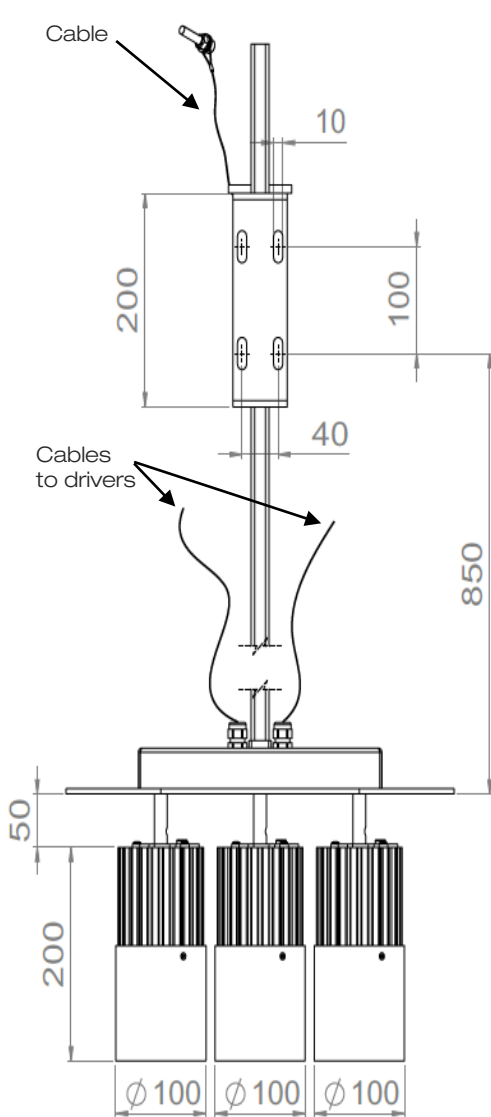
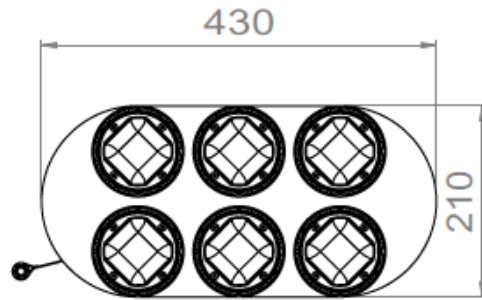


All the connections have to be made before powering up, otherwise the luminaires could be seriously damaged
 Supplying these luminaires with constant voltage may cause irreversible damage



ELIS D100 SUSPENDED

6 Spotlights Cluster

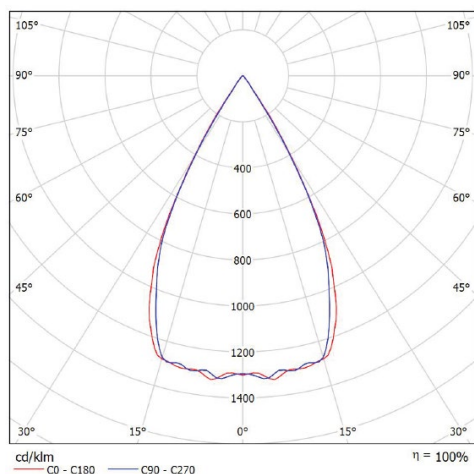


All the connections have to be made before powering up, otherwise the luminaires could be seriously damaged
 Supplying these luminaires with constant voltage may cause irreversible damage

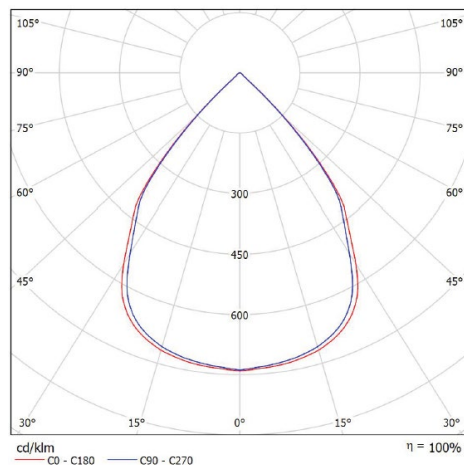


ELIS D100 SUSPENDED

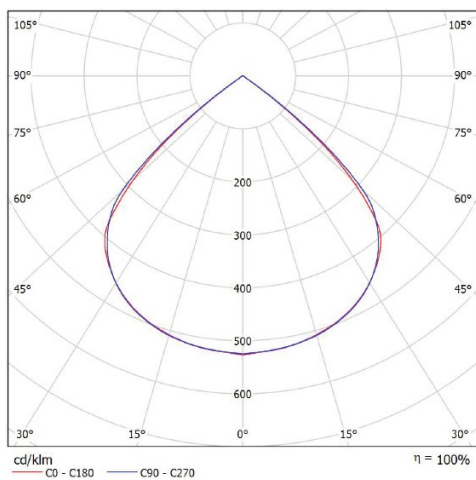
Optical beams



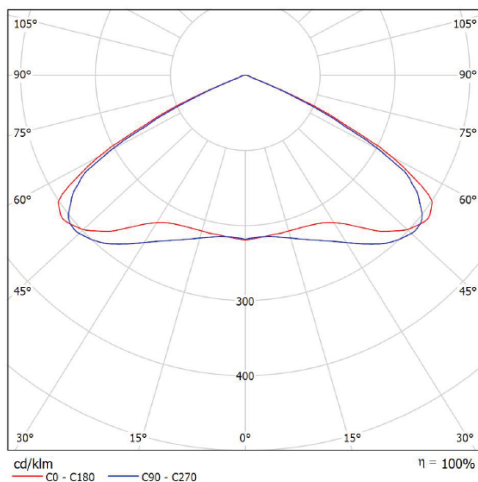
44° version



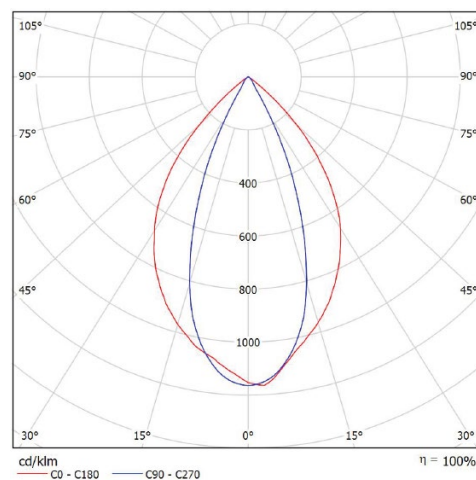
58° version



93° version



150° version



40°x70° elliptical

All the connections have to be made before powering up, otherwise the luminaires could be seriously damaged
Supplying these luminaires with constant voltage may cause irreversible damage

Louss

Creation : 2021.04.09 / Last update: 2026.06.04

9/14

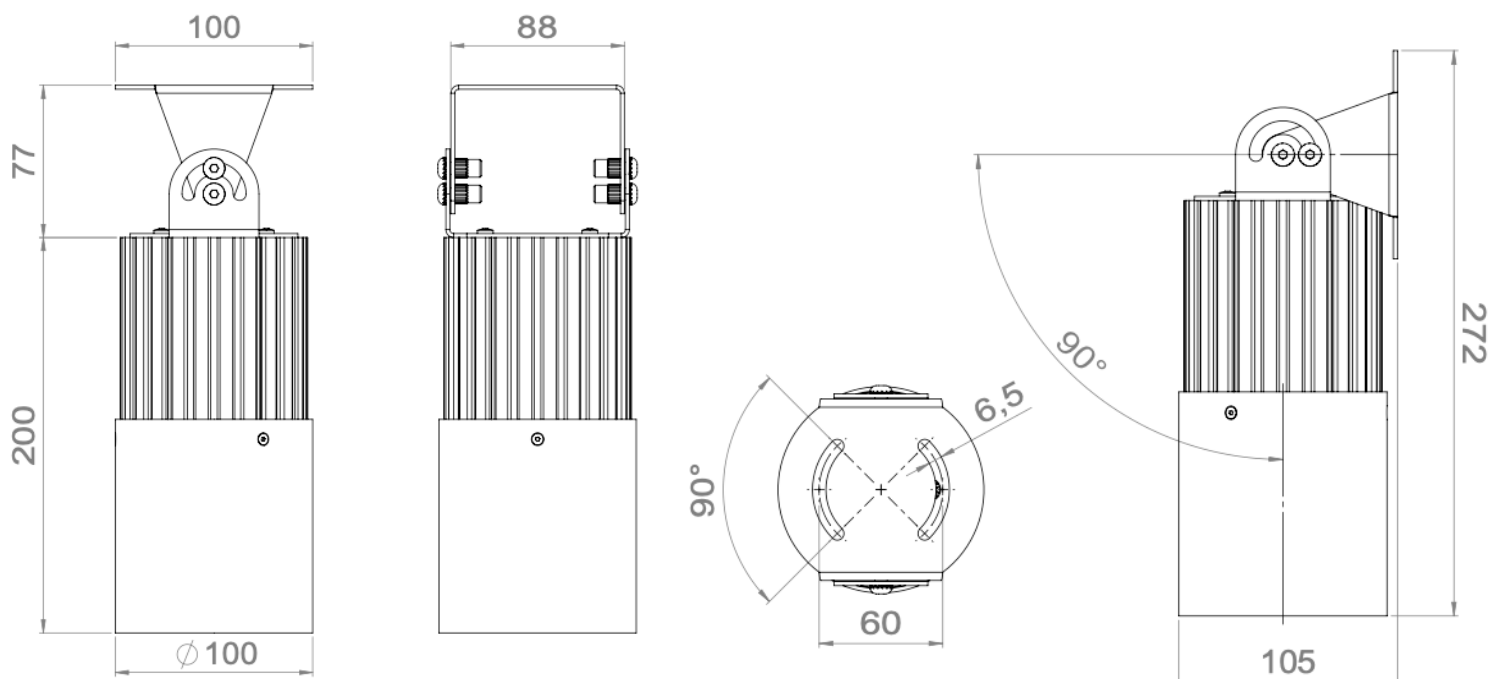
BEST SAS, Capital 200 000€
RCS Dijon B 408 483 485
TVA/VAT n° : FR94 408 483 485
APE 2612Z

Tel. : +33 380 48 65 68
contact@louss.fr
www.louss.fr
Best & LOUSS

Siège social / Head Office
PA Les Terres d'Or
Route de Saint Philibert
21220 Gevrey Chambertin - FRANCE

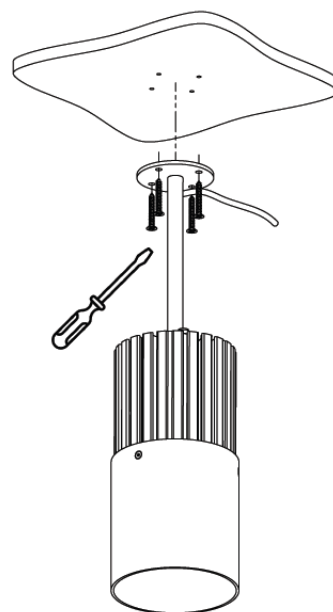


ELIS D100 MOUNTING-BRACKET



Installation guide

- 1 Make sure that the support can endure the weight of the luminaire (2.5 kg max. depending on version)
- 2 Drill 2 holes in the round metal plate (see dimensions above)
- 3 Screw in the 2 screws
- 4 Connect the luminaire to the driver

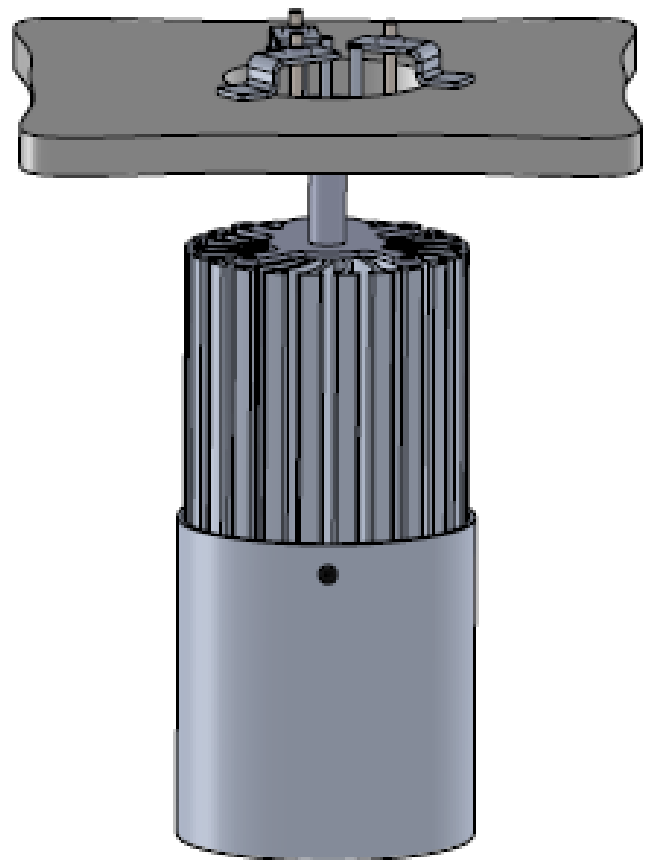
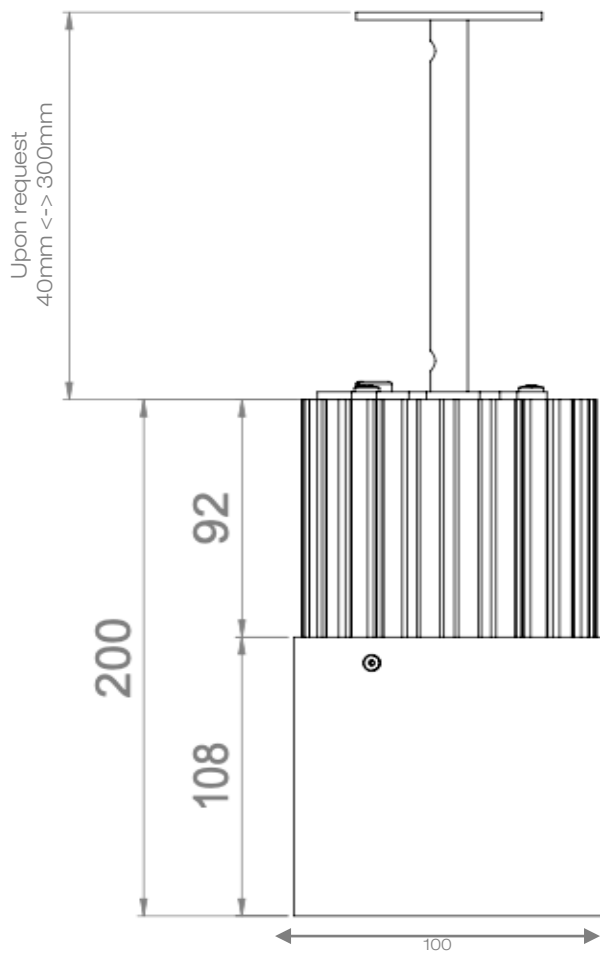


All the connections have to be made before powering up, otherwise the luminaires could be seriously damaged
Supplying these luminaires with constant voltage may cause irreversible damage



ELIS D100 RECESSED

Dimensions



All the connections have to be made before powering up, otherwise the luminaires could be seriously damaged
Supplying these luminaires with constant voltage may cause irreversible damage

Louss

Creation : 2021.04.09 / Last update: 2026.06.04

11/14

BEST SAS, Capital 200 000€
RCS Dijon B 408 483 485
TVA/VAT n° : FR94 408 483 485
APE 2612Z

Tel. : +33 380 48 65 68
contact@louss.fr
www.louss.fr
Best & LOuss

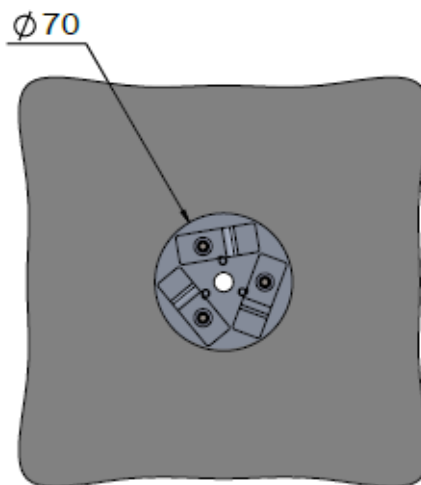
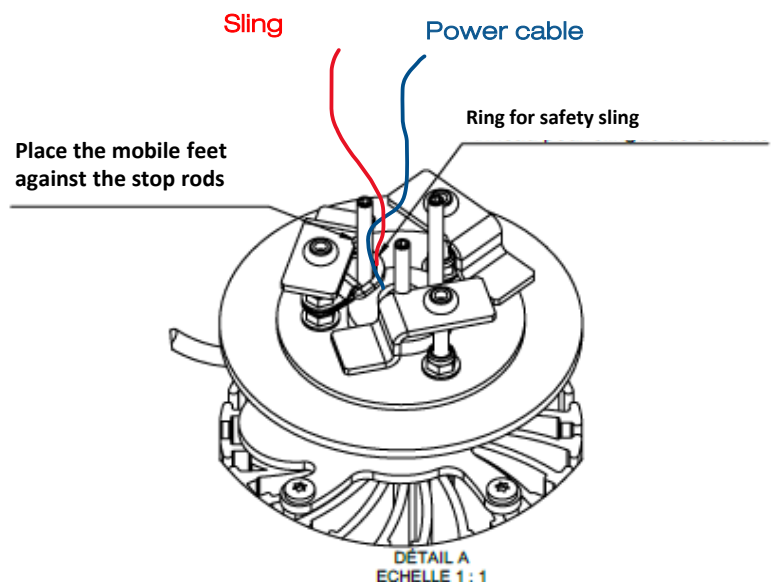
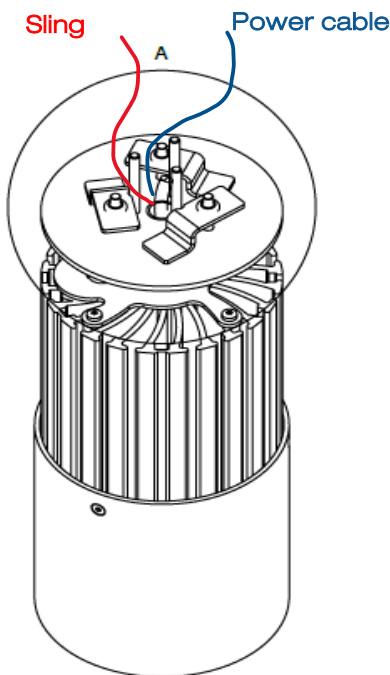
Siège social / Head Office
PA Les Terres d'Or
Route de Saint Philibert
21220 Gevrey Chambertin - FRANCE



ELIS D100 RECESSED

Installation guide (1/2)

- 1 Before installation make sure that the ceiling can endure the weight of the luminaire (2.2kg max depending on version)
Fix the safety sling onto the provided ring
Connect the luminaire to the driver



- 2 Place mobile brackets against stop pins (notches on stop side)

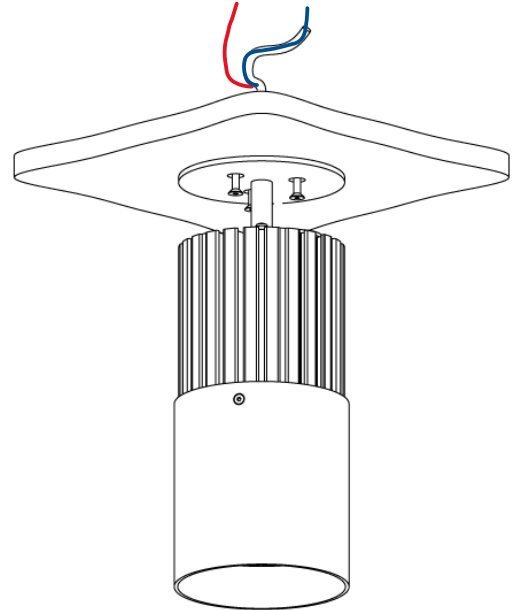
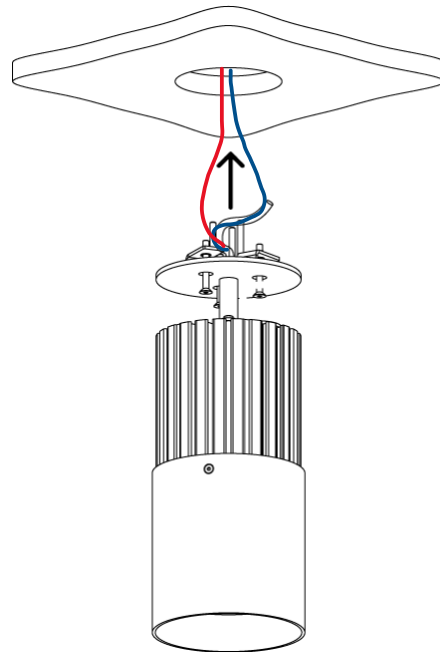
All the connections have to be made before powering up, otherwise the luminaires could be seriously damaged
Supplying these luminaires with constant voltage may cause irreversible damage



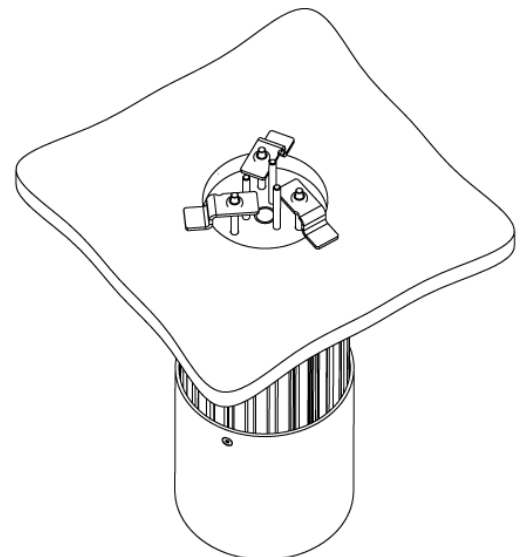
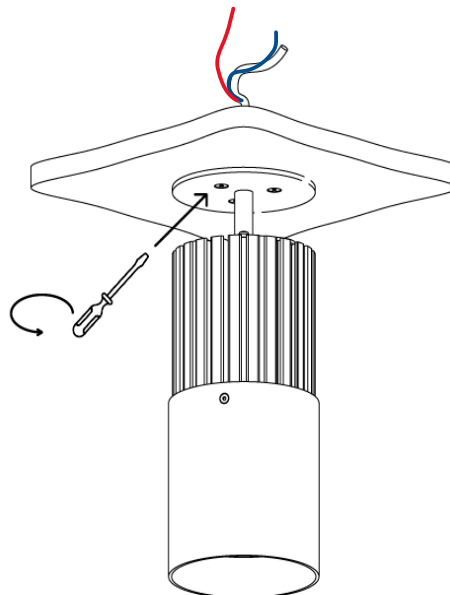
ELIS D100 RECESSED

Installation guide (2/2)

- 3** Insert the luminaire into the ceiling



- 4** Tighten the screws, making sure that the mobile brackets are in contact with the ceiling

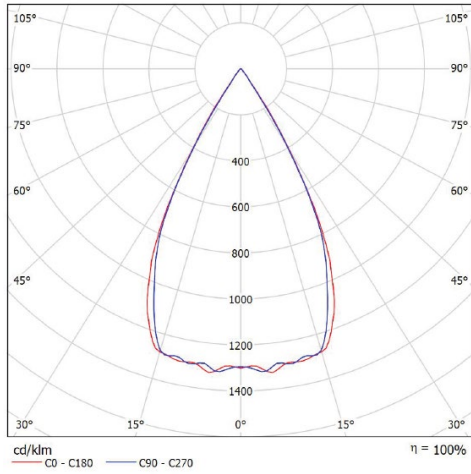


All the connections have to be made before powering up, otherwise the luminaires could be seriously damaged
Supplying these luminaires with constant voltage may cause irreversible damage

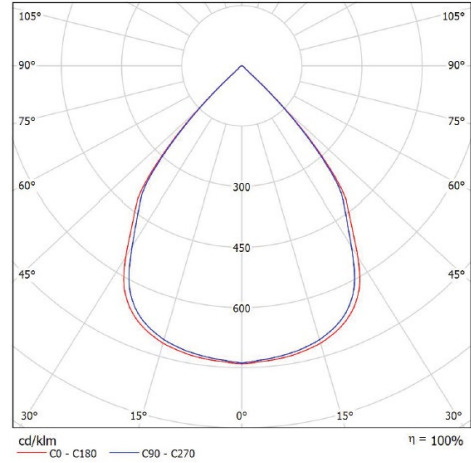


ELIS D100 RECESSED

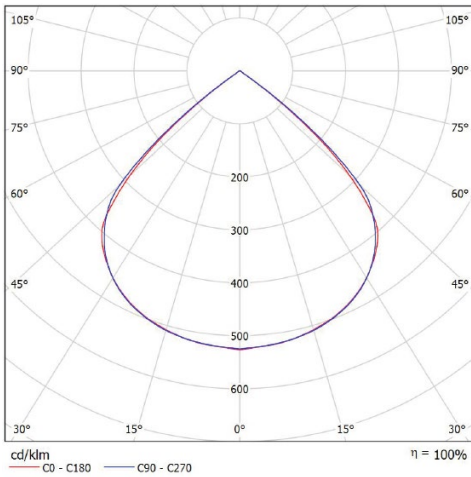
Optical beams



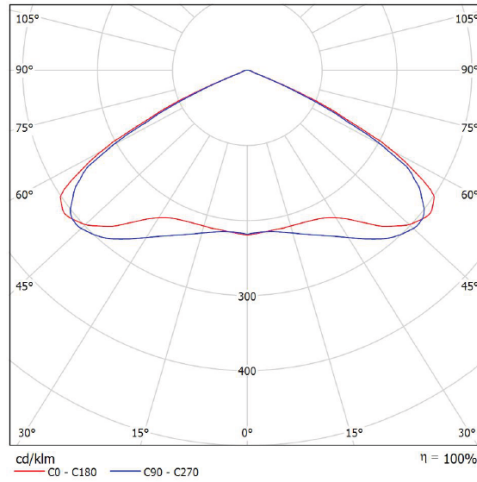
44° version



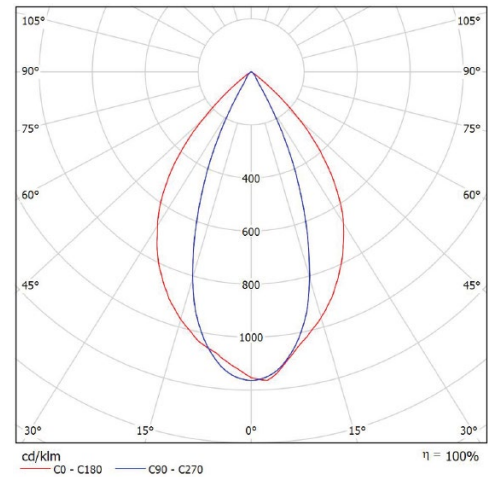
58° version



93° version



150° version



40°x70° elliptical

All the connections have to be made before powering up, otherwise the luminaires could be seriously damaged
Supplying these luminaires with constant voltage may cause irreversible damage