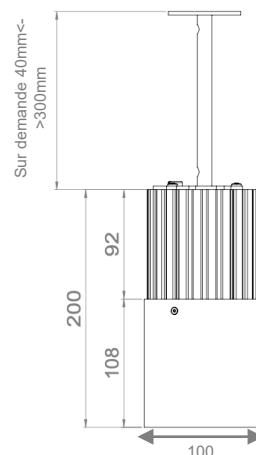
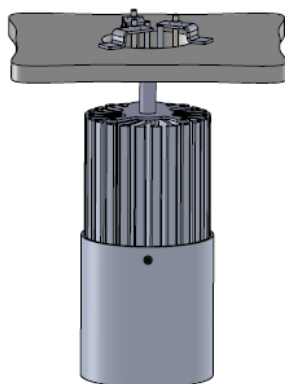


ELIS 100
SUSPENDED CEILING



ELIS SUSPENDED CEILING

Commun characteristics

Range	Low luminance luminaire for general and accent lighting
Description	Black anodized aluminum heatsink RAL 9005 extra matt finish painted aluminum tube
Installation	Luminaire to be installed on a suspended ceiling using the 3 mobile fixing devices included Must be installed vertically (not suitable for horizontal installation) The fixing method must be adapted to the nature of the support and must withstand a weight of 10kg, i.e. 5 times the weight of the luminaire
Limits of use	The product must be installed in a ventilated area, at a minimum distance of 4 cm from any vertical wall. Any use in an ambient temperature above 30° will result in premature product mortality and the withdrawal of the warranty Not suitable for mounting on easily flammable materials Drivers, if not supplied by LOUSS, must be approved before use All products are tested before delivery
Warranty	Guaranteed flux: 80% of initial flux after 50,000 hours (L80B10), at 30°C ambient temperature 3-year parts and labor warranty. This warranty covers problems related to the manufacture and components of our products. The warranty does not apply if the product has been opened, modified or repaired. Damage caused by incorrect connection, lightning, overvoltage or misuse is not covered. Repairs are carried out in our workshop

Tous les raccordements doivent impérativement être effectués avant la mise sous tension sous peine d'endommager sérieusement les LED.

Alimenter ce luminaire en tension constante peut l'endommager de manière irréversible

LOUSS

Mise à jour : 11.09.2023

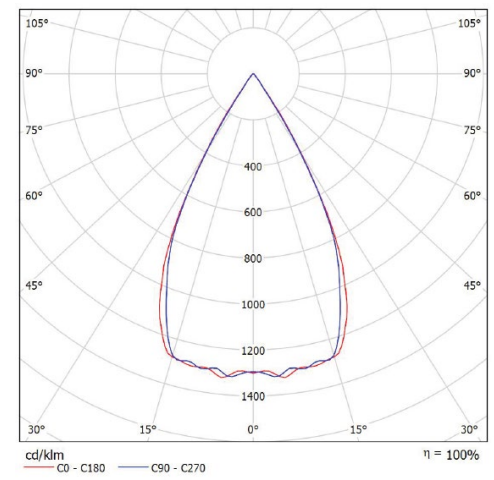
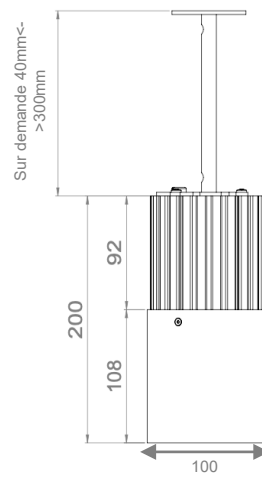
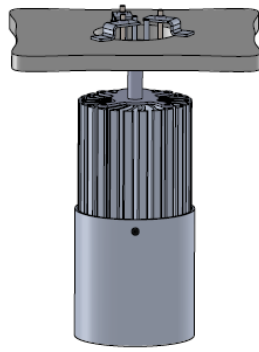
2/8

Firalux & LOUSS brands

SARL, Capital 40 000€
RCS DIJON B 503 367 245
TVA/VAT n°: FR24 503 367 245
APE 4676Z

Tel. : +33 380 48 65 68
contact@louss.fr
www.louss.fr
Best group

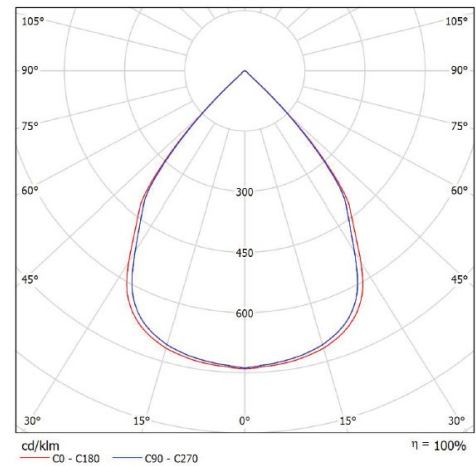
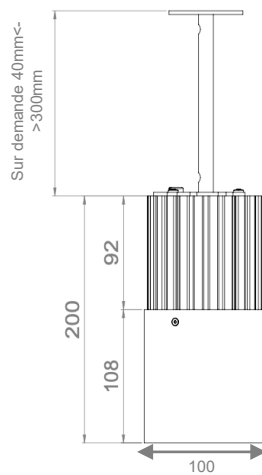
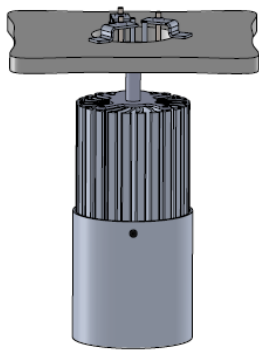
Siège social / Head Office
PA Les Terres d'Or
Route de Saint Philibert
21220 Gevrey Chambertin - FRANCE



ELIS D100 FP-44

Dimensions	<p>Luminaire : Length 200mm - Diameter 100mm</p> <p>Rod : Length on request between 40mm and 300mm</p> <p>Total height : 240mm to 500mm</p>
Installation	<p>Mounting under suspended ceiling with 3 mobile brackets</p> <p>Mounting diameter: 70mm</p> <p>Thickness of the installation's surface: 20mm max.</p>
Net weight	1.7kg (40mm stem) to 1.8Kg (300mm stem)
LED characteristics	<p>2700K</p> <p>Ellipse MacAdam: 3 SDCM</p> <p>CRI 90</p> <p>UGR < 15</p> <p>3600 lm at 1350mA</p>
Optical beam	53°
Connection	Supplied with 1m cable
Separate power supply	<p>External constant-current driver, max. 1350mA, SELV type, compliant with EN 61347-2-13 standard.</p> <p>This driver must supply a minimum constant current of 100mA to obtain a minimum luminous flux of 45 lm</p> <p>It must not be able to deliver a current greater than 2A in both normal and short-circuit operation</p> <p>Terminal block not included. Installation requires the advice of a qualified person</p>
Electricals characteristics	<p>Electrical class : III</p> <p>Max. current : 1350mA</p> <p>Power : 46W at 1350mA</p> <p>Voltage : 34V at 1350mA</p>

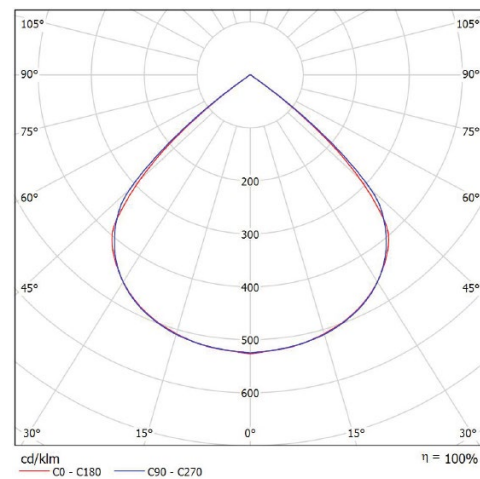
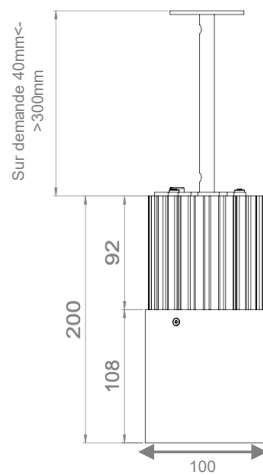
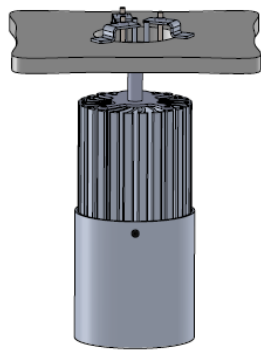
All connections must be made before switching on the power supply.
otherwise the LEDs may be seriously damaged.
Supplying this luminaire with constant voltage may cause irreversible damage.



ELIS D100 FP-58

Dimensions	<p>Luminaire : Length 200mm - Diameter 100mm</p> <p>Rod : Length on request between 40mm and 300mm</p> <p>Total height : 240mm to 500mm</p>
Installation	<p>Mounting under suspended ceiling with 3 mobile brackets</p> <p>Mounting diameter: 70mm</p> <p>Thickness of the installation's surface: 20mm max.</p>
Net weight	1.9kg (40mm stem) to 2Kg (300mm stem)
LED characteristics	<p>2700K</p> <p>Ellipse MacAdam: 3 SDCM</p> <p>CRI 90</p> <p>UGR < 20</p> <p>3590 lm at 1400mA</p>
Optical beam	73°
Connection	Supplied with 1m cable
Separate power supply	<p>External constant-current driver, max. 1350mA, SELV type, compliant with EN 61347-2-13 standard</p> <p>This driver must supply a minimum constant current of 100mA to obtain a minimum luminous flux of 45 lm</p> <p>It must not be able to deliver a current greater than 2A in both normal and short-circuit operation</p> <p>Junction block not included</p> <p>Installation requires the advice of a qualified person</p>
Electricals characteristics	<p>Electrical class : III</p> <p>Max. current : 1400mA</p> <p>Power : 48W at 1400mA</p> <p>Voltage : 34.2V at 1400mA</p>

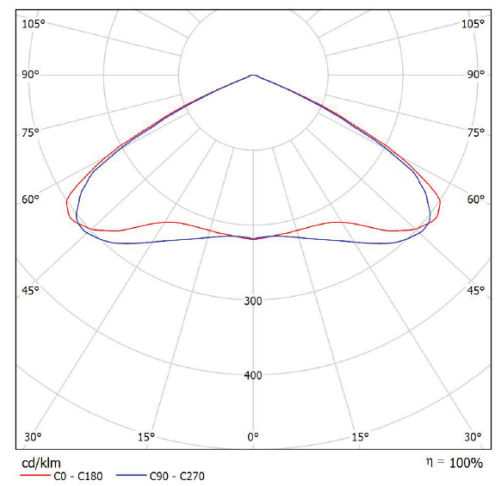
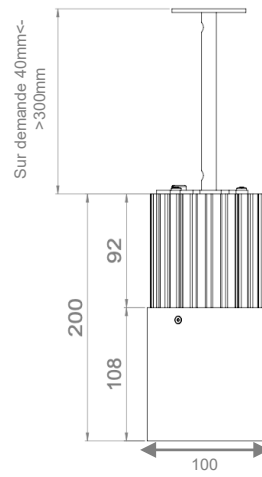
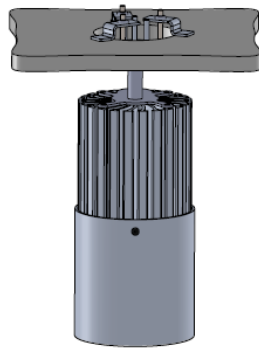
All connections must be made before switching on the power supply.
 otherwise the LEDs may be seriously damaged.
 Supplying this luminaire with constant voltage may cause irreversible damage.



ELIS D100 FP-93

Dimensions	<p>Luminaire : Length 200mm - Diameter 100mm</p> <p>Rod : Length on request between 40mm and 300mm</p> <p>Total height : 240mm to 500mm</p>
Installation	<p>Mounting under suspended ceiling with 3 mobile brackets</p> <p>Mounting diameter: 70mm</p> <p>Thickness of the installation's surface: 20mm max.</p>
Net weight	1.9kg (40mm stem) to 2Kg (300mm stem)
LED characteristics	<p>2700K</p> <p>Ellipse MacAdam: 3 SDCM</p> <p>CRI 90</p> <p>UGR < 25</p> <p>4100 lm luminaire output at 1350mA</p>
Optical beam	91°
Connection	Supplied with 1m cable as standard, 3m optional
Separate power supply	<p>External constant-current driver, max. 1350mA, SELV type, compliant with EN 61347-2-13 standard.</p> <p>This driver must supply a minimum constant current of 100mA to obtain a minimum luminous flux of 45 lm</p> <p>It must not be able to deliver a current greater than 2A in both normal and short-circuit operation</p> <p>Junction block not included</p> <p>Installation requires the advice of a qualified person.</p>
Electricals characteristics	<p>Electrical class : III</p> <p>Max. current : 1350mA</p> <p>Power : 46W at 1350mA</p> <p>Voltage : 34V at 1350mA</p>

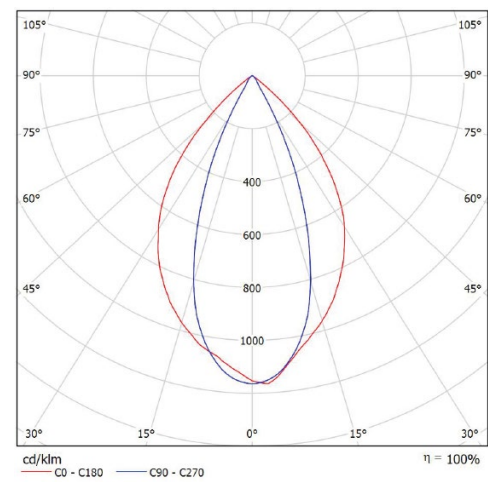
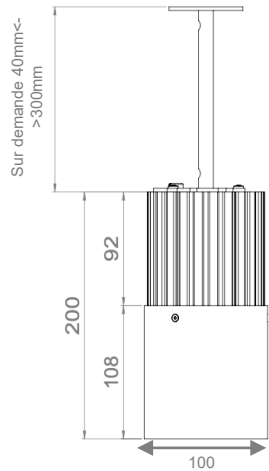
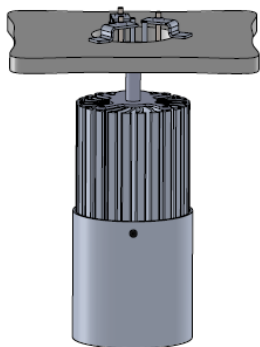
**All connections must be made before switching on the power supply.
otherwise the LEDs may be seriously damaged.
Supplying this luminaire with constant voltage may cause irreversible damage.**



ELIS D100 FP-150

Dimensions	<p>Luminaire : Length 200mm - Diameter 100mm</p> <p>Rod : Length on request between 40mm and 300mm</p> <p>Total height : 240mm to 500mm</p>
Installation	<p>Mounting under suspended ceiling with 3 mobile brackets</p> <p>Mounting diameter: 70mm</p> <p>Thickness of the installation's surface: 20mm max.</p>
Net weight	2kg (40mm stem) to 2.1Kg (300mm stem)
LED characteristics	<p>2700K</p> <p>Ellipse MacAdam: 3 SDCM</p> <p>CRI 90</p> <p>UGR < 30</p> <p>3600 lm luminaire output at 1400mA</p>
Optical beam	120°
Connection	Supplied with 1m cable
Separate power supply	<p>External constant-current driver, max. 1350mA, SELV type, compliant with EN 61347-2-13 standard</p> <p>This driver must supply a minimum constant current of 100mA to obtain a minimum luminous flux of 45 lm</p> <p>It must not be able to deliver a current greater than 2A in both normal and short-circuit operation</p> <p>Junction block not included</p> <p>Installation requires the advice of a qualified person.</p>
Electricals characteristics	<p>Electrical class : III</p> <p>Max. current : 1400mA</p> <p>Power : 48W at 1400mA</p> <p>Voltage : 34,2V at 1400mA</p>

All connections must be made before switching on the power supply.
 otherwise the LEDs may be seriously damaged.
 Supplying this luminaire with constant voltage may cause irreversible damage.



ELIS D100 FP-ELLIPTICAL

Dimensions	<p>Luminaire : Length 200mm - Diameter 100mm</p> <p>Rod : Length on request between 40mm and 300mm</p> <p>Total height : 240mm to 500mm</p>
Installation	<p>Mounting under suspended ceiling with 3 mobile brackets</p> <p>Mounting diameter: 70mm</p> <p>Thickness of the installation's surface: 20mm max.</p>
Net weight	1.7kg (40mm stem) to 1.8Kg (300mm stem)
LED characteristics	<p>2700K</p> <p>Ellipse MacAdam: 3 SDCM</p> <p>CRI 90</p> <p>UGR < 25</p> <p>3400 lm at 1350mA</p>
Optical beam	40°x70°
Connection	Supplied with 1m cable
Separate power supply	<p>External constant-current driver, max. 1350mA, SELV type, compliant with EN 61347-2-13 standard</p> <p>This driver must supply a minimum constant current of 100mA to obtain a minimum luminous flux of 45 lm</p> <p>It must not be able to deliver a current greater than 2A in both normal and short-circuit operation</p> <p>Junction block not included</p> <p>Installation requires the advice of a qualified person</p>
Electricals characteristics	<p>Electrical class : III</p> <p>Max. current : 1350mA</p> <p>Power : 46W at 1350mA</p> <p>Voltage : 34V at 1350mA</p>

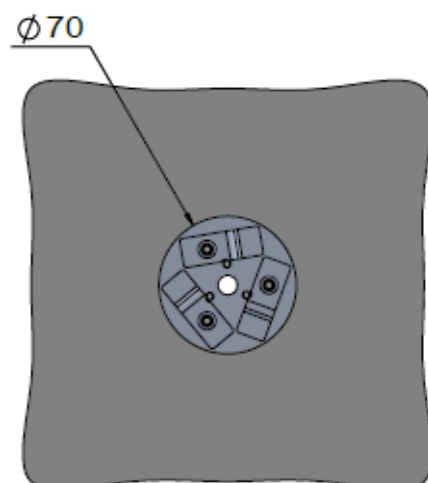
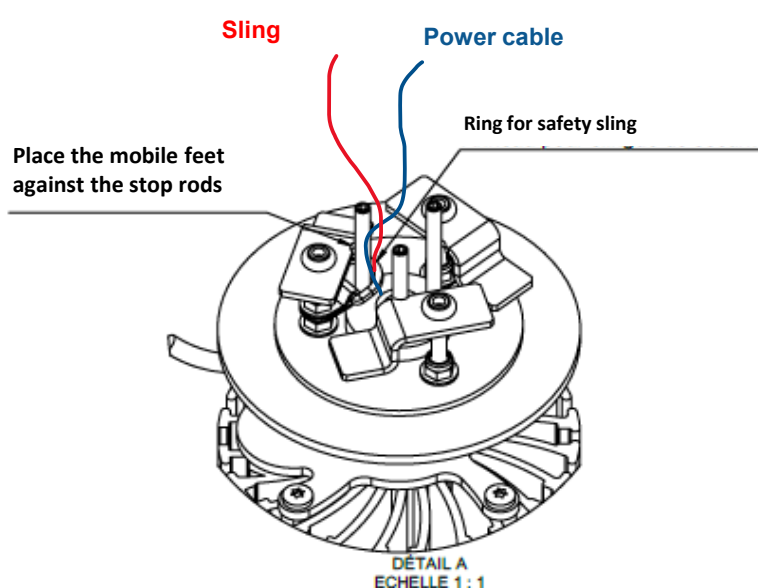
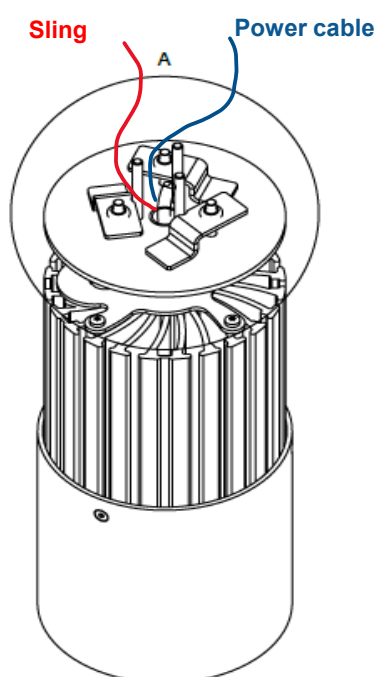
All connections must be made before switching on the power supply.
 otherwise the LEDs may be seriously damaged.
 Supplying this luminaire with constant voltage may cause irreversible damage.



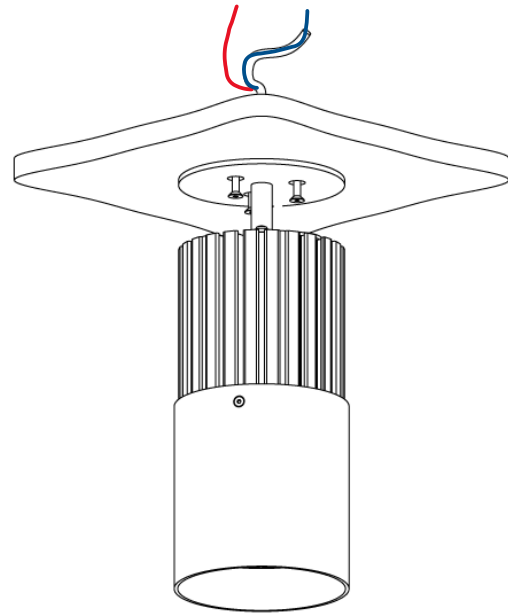
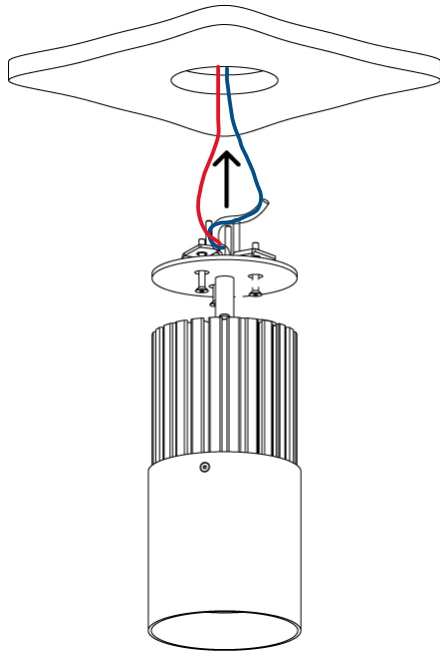
ELIS D100 FP

Installation guide

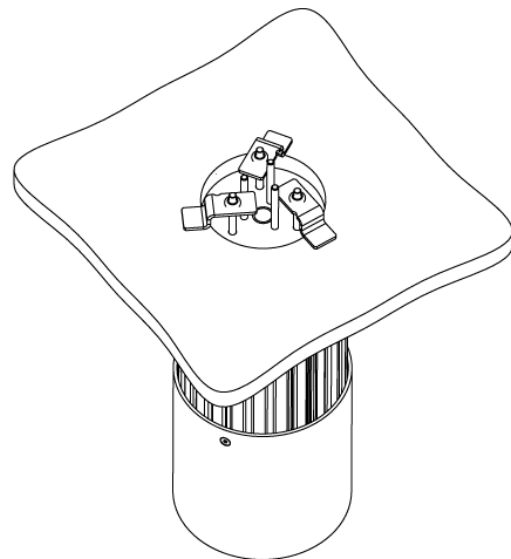
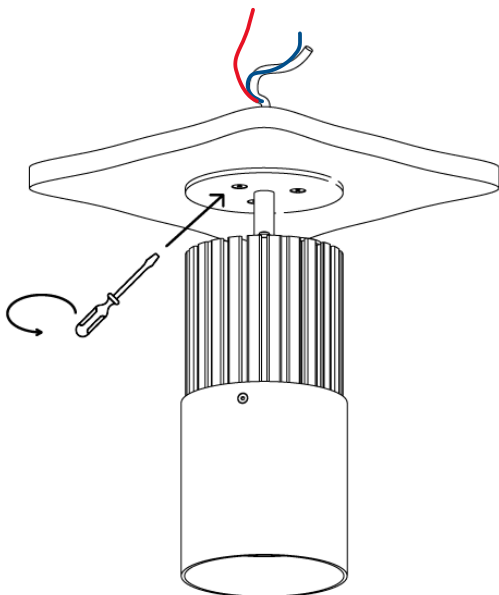
- 1 Before installation make sure that the ceiling can endure the weight of the luminaire (2.2kg max depending on version)
- 1 Fix the safety sling onto the provided ring
Connect the luminaire to the driver



- 2 Place mobile brackets against stop pins (notches on stop side)



3 Insert the luminaire into the ceiling



4 Tighten the screws, making sure that the mobile brackets are in contact with the ceiling