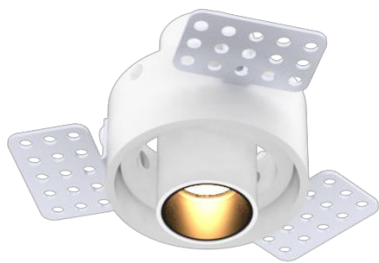


# AURORE D22

*Trimless versions*



Trimless version



Flush trimless version

## AURORE D22

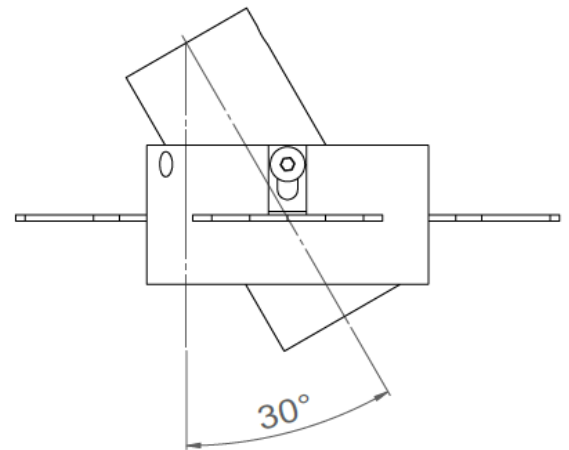
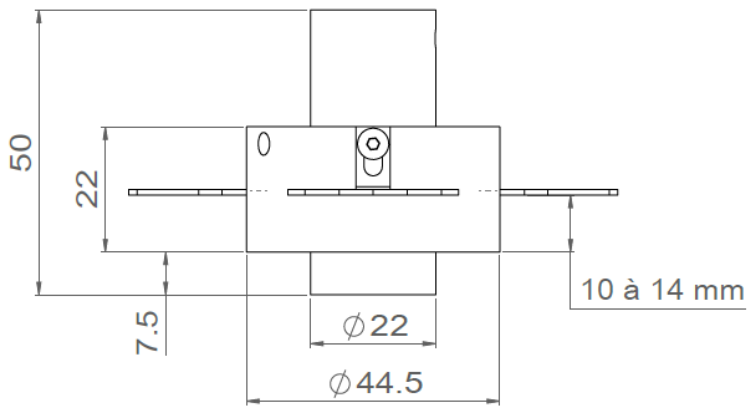
### Trimless versions

<b>Range</b>	Highly flexible recessed ceiling downlight for general & accent lighting
<b>Description</b>	<p>Low luminance            Rotation 360°  <i>Trimless version</i> : Adjustable tilt 30°  <i>Flush trimless version</i> : Adjustable tilt 20°            White finish RAL 9003 (other upon request)</p>
<b>Installation</b>	<p>Installation diameter : 45mm            No specific tools required</p>
<b>Net weight</b>	0.06kg
<b>LED characteristics</b>	<p>2000K - 2200K - 2700K - 3000K - 3500K - 4000K - 4500K            Ellipse MacAdam : 3 SDCM            CRI90 (standard version) - CRI&gt;90, R9 &gt; 80 (retail version)            UGR &lt; 15</p>
<b>Optical beam</b>	10° - 15° - 20° - 25° - 40° - Elliptical
<b>Connection</b>	Supplied with 0.50m cable
<b>Separate power supply</b>	<p>Remote constant current driver            Dimmable driver upon request</p>
<b>LED power</b>	2W at 700mA max
<b>Use limitations</b>	<p>The product must be installed into a ventilated area.            Any use with an ambient temperature higher than the specified ambient temperature (Ta) would lead to a more rapid mortality of the product and the withdrawal of our guarantees.            The drivers, if not delivered by LOuss, must be approved before use.</p>
<b>Warranty</b>	<p>Life span: L80B10 at 50,000 hours (80% remaining flux) at 25°C ambient temperature.            3-year parts and labour warranty.            The warranty does not apply to products that have been opened, modified or repaired and does not cover the effects of a wrong connection, careless, abusive handling, overvoltage, lighting injury, as well as the normal wear of the product.            All products are electrically tested and received a functional burn-in.</p>

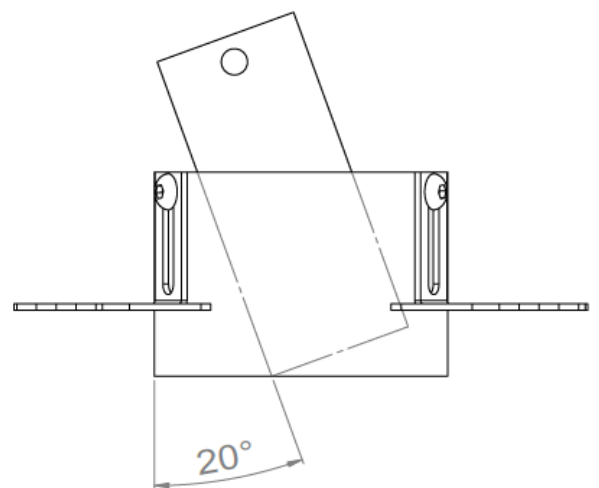
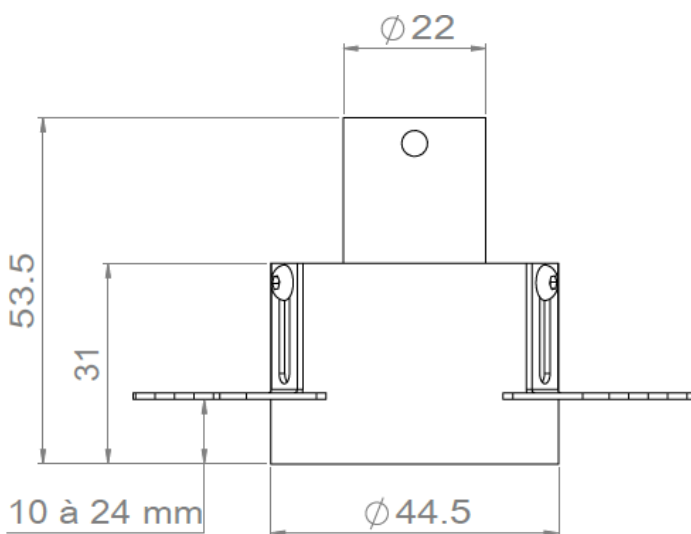
All the connections have to be made before powering up, otherwise the luminaires could be seriously damaged.



## AURORE D22 Trimless version



## AURORE D22 Flush trimless version



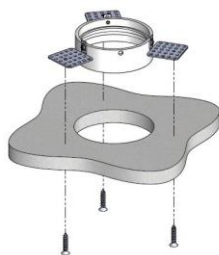
All the connections have to be made before powering up,  
otherwise the luminaires could be seriously damaged.



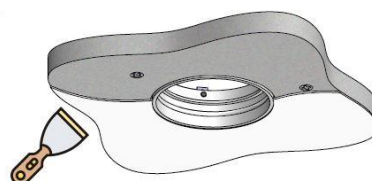
# AURORE D22

Trimless versions

## Installation from above



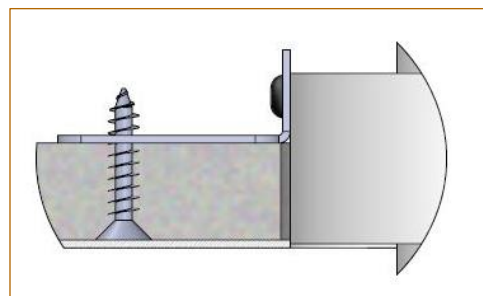
Install the recessed box from above and screw it into the surface



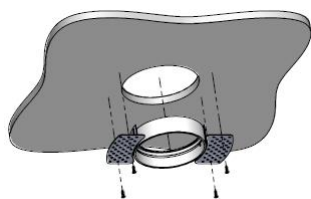
Cover the lateral plates of the recessed box by coating and painting



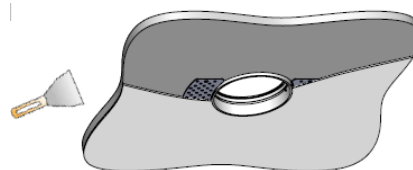
Insert the spotlight from below



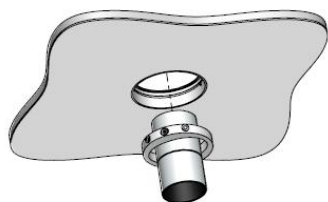
## Installation from below



Install the recessed box from below and screw it into the surface



Cover the lateral plates of the recessed box by coating and painting



Insert the spotlight from below

