



MicroTwin



MicroTwin

Gamme	Luminaire for accent lighting	
Description	6 or 8 x 360° adjustable LED spotlights, fixed on a U profile, with 2 lateral mounting brackets and a quick connector on the back. Black matt finish	
Dimensions	6 spotlights version U profile : L.270mm x W.20mm x H.15mm Spotlight : L.36mm x D.17mm	8 spotlights version U profile : L.350mm x W.20mm x H.15mm Spotlight : L.36mm x D.17mm
LED characteristics	6 spotlights version : 3 spots 3000K 3 spots 3500K 8 spotlights version : 4 spots 3000K 4 spots 3500K Other associations of colour temperatures upon request CRI 90 – R9>80	
Optical beam	16° - 20° - 40° - 65° - 17°x49°	
Connection	Delivered with 1m extension cable with quick connector and a 2 channels cable for connection to the drivers	
Separate power supply	2 remote constant current drivers 500mA (1 driver for 3000K spotlights/1 driver for 3500K spotlights)	
LED power	1.7W per spotlight = 5.1W per channel (6 spotlights) = 6.8W per channel (8 spotlights)	
Use limitations	The product must be installed into a ventilated area. Any use with an ambient temperature higher than the specified ambient temperature (Ta) would lead to a more rapid mortality of the product and the withdrawal of our guarantees. The drivers, if not delivered by LOuss, must be approved before use.	
Warranty	Life span: L80B10 at 50,000 hours (80% remaining flux) at 25°C ambient temperature. 3-year parts and labour warranty. The warranty does not apply to products that have been opened, modified or repaired and does not cover the effects of a wrong connection, careless, abusive handling, overvoltage, lighting injury, as well as the normal wear of the product. All products are electrically tested and received a functional burn-in.	

All the connections have to be made before powering up, otherwise the luminaires could be seriously damaged.

2/4

LOuss

Last update : 06/05/2022

Firalux & LOuss brands

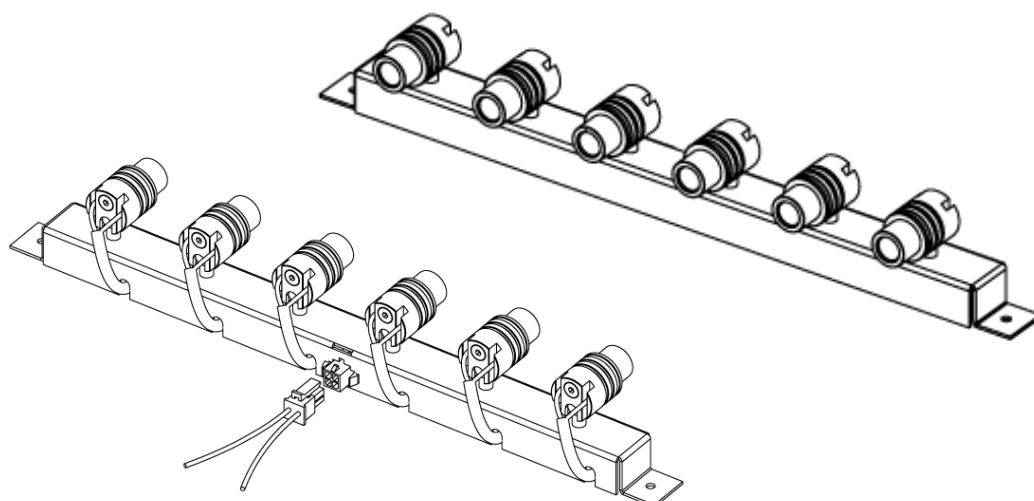
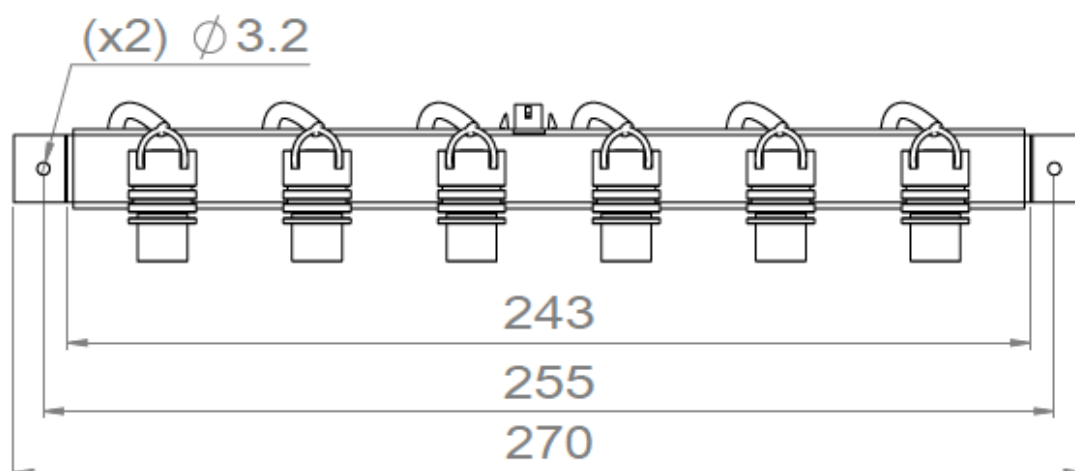
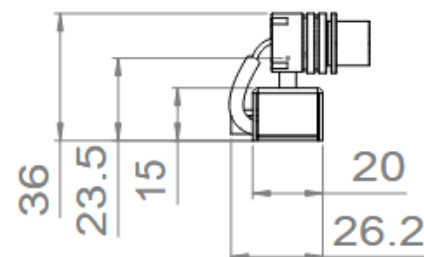
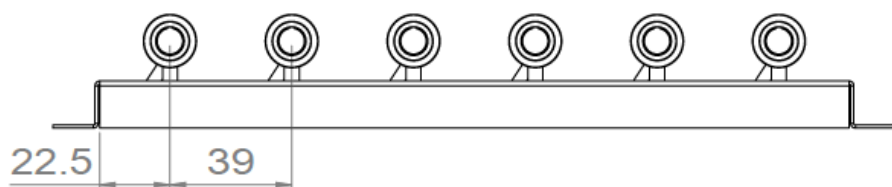
SARL, Capital 40 000€
RCS DIJON B 503 367 245
TVA/VAT n°: FR24 503 367 245
APE 4676Z

Tel. : +33 380 48 65 68
contact@louss.fr
www.louss.fr
Best group

Siège social / Head Office
PA Les Terres d'Or
Route de Saint Philibert
21220 Gevrey Chambertin - FRANCE

MicroTwin

6 spotlights version



All the connections have to be made before powering up, otherwise the luminaires could be seriously damaged.

Louss

Last update : 06/05/2022

Firalux & LOuss brands

SARL, Capital 40 000€
RCS DIJON B 503 367 245
TVA/VAT n°: FR24 503 367 245
APE 4676Z

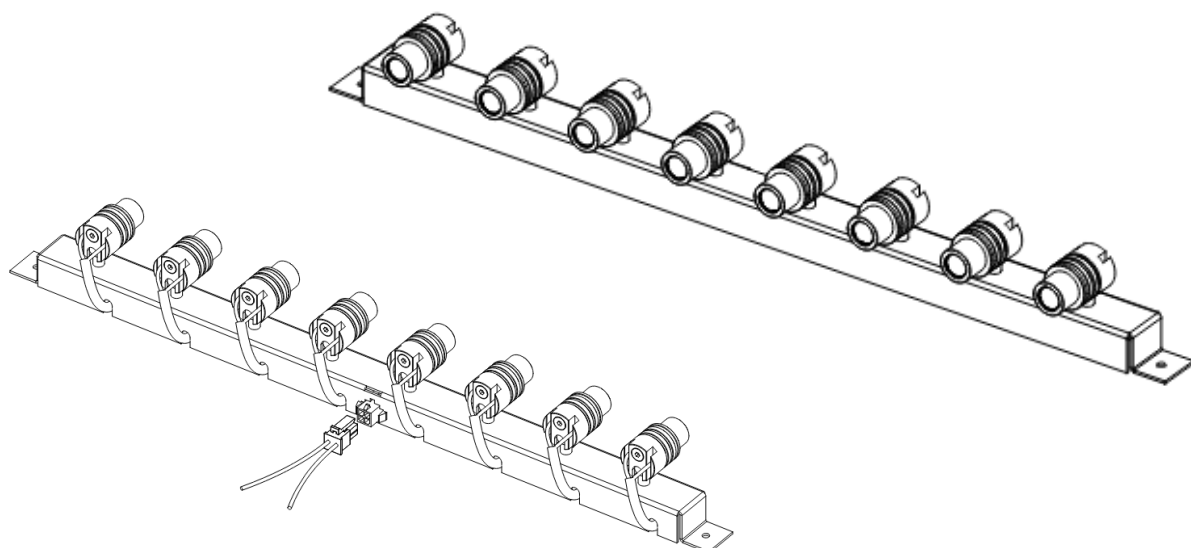
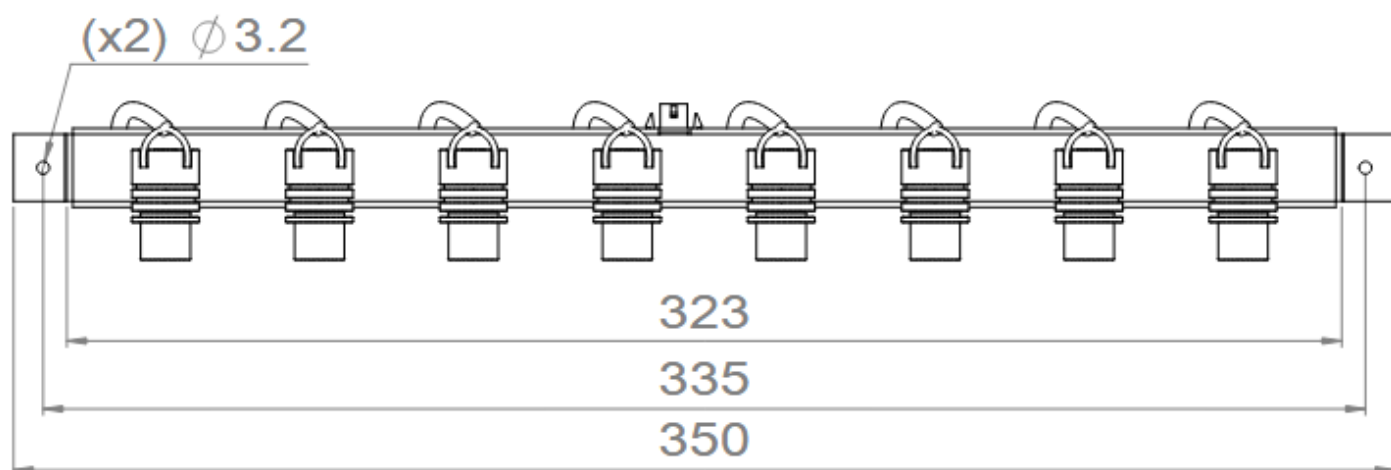
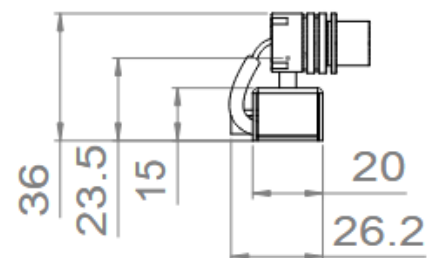
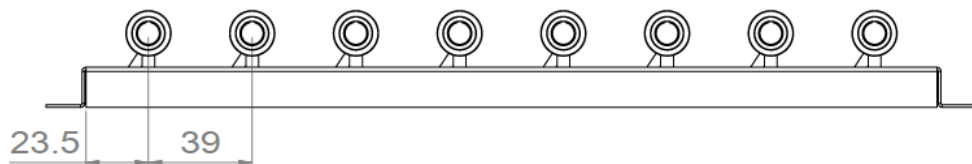
Tel. : +33 380 48 65 68
contact@louss.fr
www.louss.fr
Best group

Siège social / Head Office
PA Les Terres d'Or
Route de Saint Philibert
21220 Gevrey Chambertin - FRANCE



MicroTwin

8 spotlights version



All the connections have to be made before powering up,
otherwise the luminaires could be seriously damaged.

Louss

Last update : 06/05/2022

Firalux & LOuss brands

SARL, Capital 40 000€
RCS DIJON B 503 367 245
TVA/VAT n°: FR24 503 367 245
APE 4676Z

Tel. : +33 380 48 65 68
contact@louss.fr
www.louss.fr
Best group

Siège social / Head Office
PA Les Terres d'Or
Route de Saint Philibert
21220 Gevrey Chambertin - FRANCE