

MINI7 UP



MINI7 UP

Range	Linear LED light					
Description	Natural anodized aluminum profile LED strip Opal diffuser 2 natural anodized aluminum end caps (thickness 1.5mm) Metallic fixing clips : <ul style="list-style-type: none"> • standard flat fixing clips • brackets • round fixing clips for orientation of the linear LED light 					
Dimensions	Width : 17mm (standard fixing clips) Height : 20mm (standard fixing clips) 32mm (brackets) 26.2mm (round fixing clips) Length upon request up to 2,500mm					
LED characteristics	2700K – 3000K – 3500K – 4000K CRI 90 R9 > 50					
Separate power supply	24V constant voltage For the US & Canada use a remote UL class 2 power supply					
LED strip	Color Temperature	LED Power W/m Lumen/m			Cut-out size	LED/m
FIRALED 160cc (other upon request)	2700K	9.60 1,230 lm	14.40 1,825 lm	18.00 2,270 lm	50mm	160
	3000K	9.60 1,290 lm	14.40 1,916 lm	18.00 2,385 lm	50mm	160
	3500K	9.60	14.40	18.00	50mm	160
	4000K	9.60	14.40	18.00	50mm	160
Connection	5m maximum per driver's output Delivered according to customer's requirement with : <ul style="list-style-type: none"> • A male and a female connector for daisy-chain cabling • 1m cable + female quick connector • Several lengths forming a garland 					
Accessories	Connector board Y extension cables					
Use Limitations	The product must be installed into a ventilated area Any use with an ambient temperature higher than the specified ambient temperature (Ta) would lead to a more rapid mortality of the product and the withdrawal of our guarantees The drivers, if not delivered by LOuss, must be approved before use					
Warranty	Life span: L80-B10 = 35,000 hours (80% remaining flux) at 30°C ambient temperature The warranty does not apply to products that have been opened, modified or repaired and does not cover the effects of a wrong connection, careless, abusive handling, overvoltage, lighting injury, as well as the normal wear of the product All products are electrically tested and receive a functional burn-in					

All the connections have to be made before powering up, otherwise the luminaires could be seriously damaged.

LOuss

Creation : 2022.10.07 / Last update: 2025.07.22

2/4

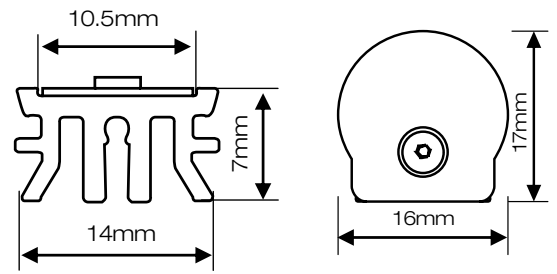
BEST SAS, Capital 200 000€
 RCS Dijon B 408 483 485
 TVA/VAT n° : FR94 408 483 485
 APE 2612Z

Tel. : +33 380 48 65 68
 contact@louss.fr
 www.louss.fr
 Best & LOuss

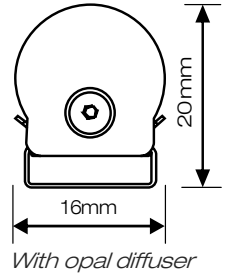
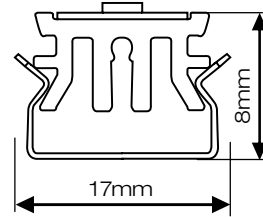
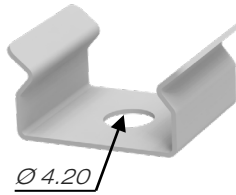
Siège social / Head Office
 PA Les Terres d'Or
 Route de Saint Philibert
 21220 Gevrey Chambertin - FRANCE



MINI7 UP



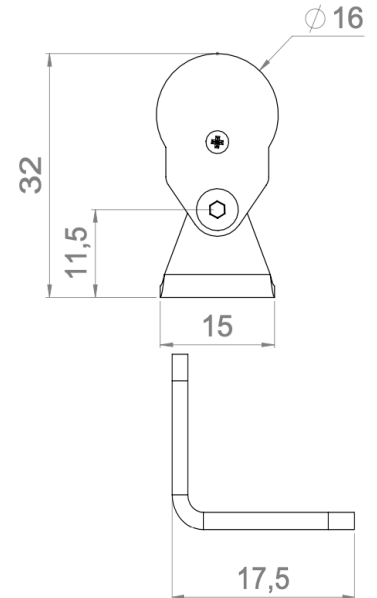
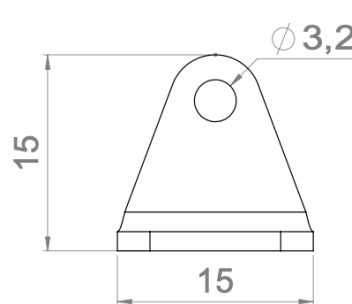
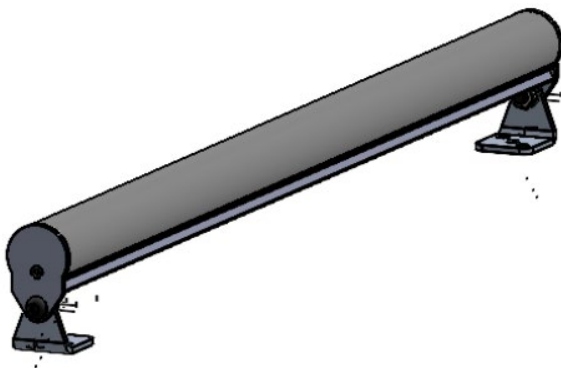
Standard version with flat fixing clips



Cable's output on 1 end, both ends for daisy chain or below, with quick connector(s)

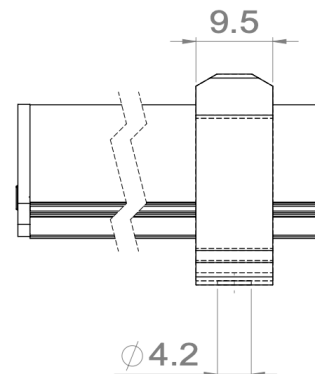
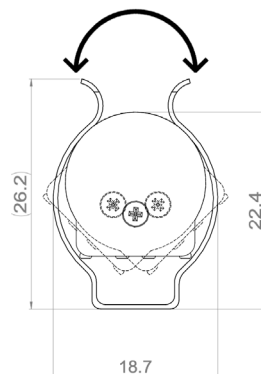
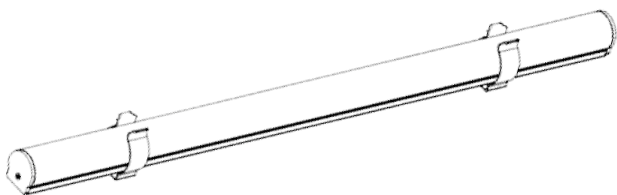
With opal diffuser

Fixing brackets version



Cable's output on 1 end, both ends for daisy chain or below, with quick connector(s)

Round fixing clips version



All the connections have to be made before powering up, otherwise the luminaires could be seriously damaged.

Creation : 2022.10.07 / Last update: 2025.07.22

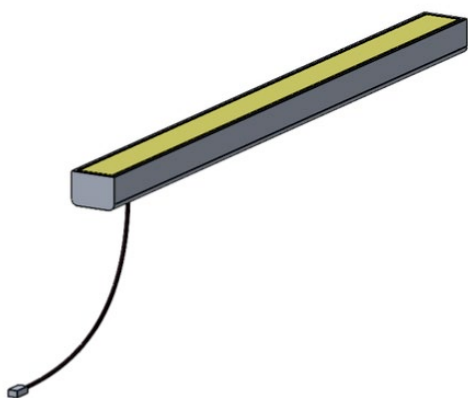
3/4

LOUSS

BEST SAS, Capital 200 000€
RCS Dijon B 408 483 485
TVA/VAT n° : FR94 408 483 485
APE 2612Z

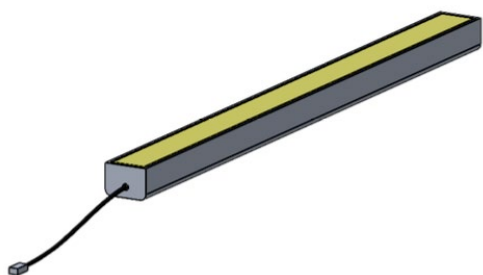
Tel. : +33 380 48 65 68
contact@louss.fr
www.louss.fr
Best & LOUSS

Siège social / Head Office
PA Les Terres d'Or
Route de Saint Philibert
21220 Gevrey Chambertin - FRANCE



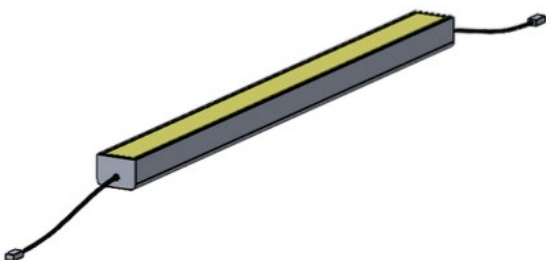
Cable below

110mm or 250mm cable + male quick connector on 1 end
or
1m cable + male quick connector on 1 end



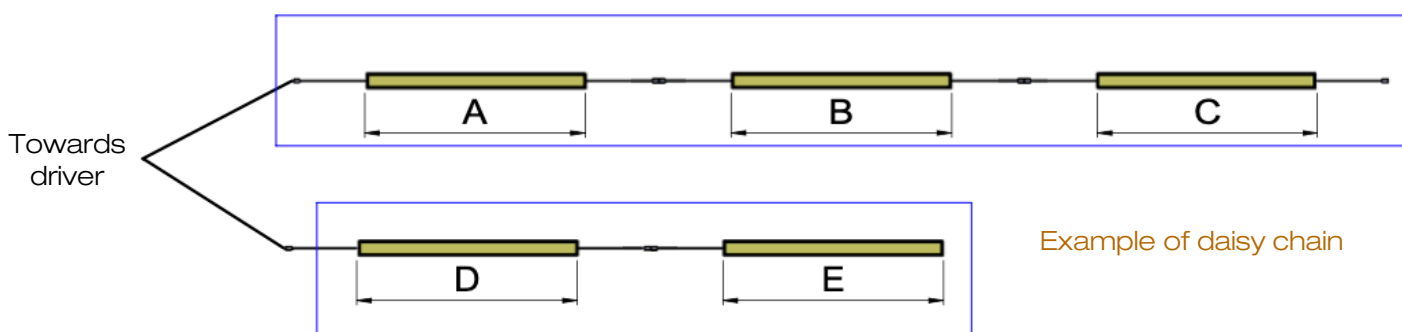
Cable on 1 end

110mm or 250mm cable + male quick connector on 1 end
or
1m cable + male quick connector on 1 end



Daisy chain

110mm or 250mm cable + male quick connector on 1 end
+
110mm or 250mm cable + female quick connector on the other end



Create as many lines as needed to respect the maximum length per line, according to the selected LED strip and the wattage of the driver

All the connections have to be made before powering up, otherwise the luminaires could be seriously damaged.