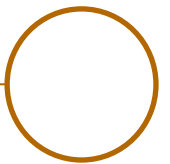









LYNE

Waterproof and compact linear LED light



 indoor	 IP40	 IK 10	 Ta 25°			made in FRANCE
 outdoor	 IP66	 IK 10	 Ta 25°			made in FRANCE



With deflector



Without deflector

LYNE

Range	Linear LED light	
Description	Black aluminium body and end caps (other colour upon request) Supplied with or without deflector Stainless steel fixing brackets Glass diffuser	
Dimensions	Length : 262mm, 508mm, 754mm or 1000mm Width : 32mm Height : 30mm (61.5mm with deflector)	
Net weight	1.64kg (1000mm)	
LED characteristics	2700K – 3000K – 3500K – 4000K – 5000K CRI80 or 90 (95 upon request) MacAdam 3 steps	262mm : 6 LEDs 508mm : 12 LEDs 754mm : 18 LEDs 1000mm : 24 LEDs
Optics	Wall-washer	
Connection	Daisy-chain version : 15cm cable IN + OUT with IP65 connectors Dimming version : 1m cable and IP65 connector	
Power supply	Daisy-chain version : 10max on one 24V remote constant voltage driver Controlable version : 350mA remote constant current driver (DALI, 0-10V, DMX...)	
Power	262mm : 6 LEDs – 6W 508mm : 12 LEDs – 12W 754mm : 18 LEDs – 18W 1000mm : 24 LEDs – 24W	
Use limitations	The product must be installed into a ventilated area Any use with an ambient temperature higher than the specified ambient temperature (Ta) would lead to a more rapid mortality of the product and the withdrawal of our guarantees The drivers, if not delivered by LOuss, must be approved before use	
Warranty	Life span: L80-B10 = 35,000 hours (80% remaining flux) at 30°C ambient temperature The warranty applies to components and fabrication supplied by Louss The warranty does not apply to products that have been opened, modified or repaired and does not cover the effects of a wrong connection, careless, abusive handling, overvoltage, lighting injury, as well as the normal wear of the product All products are electrically tested and receive a functional burn-in	

All the connections have to be made before powering up,
otherwise the luminaires could be seriously damaged

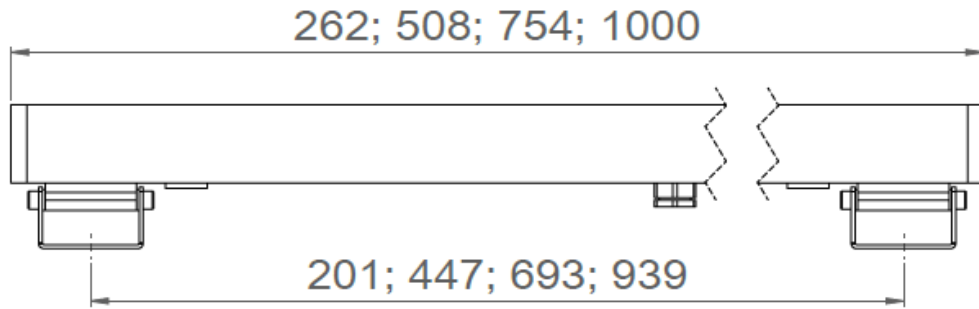
Creation : 2019.10.03 / Last update : 2025.06.10

LOuss

BEST SAS, Capital 200 000€
RCS Dijon B 408 483 485
TVA/VAT n° : FR94 408 483 485
APE 2612Z

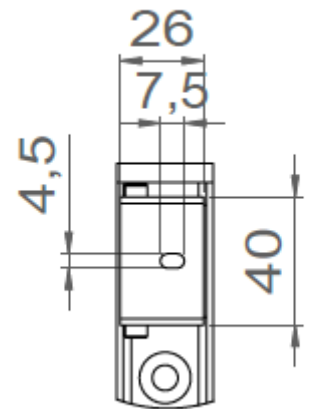
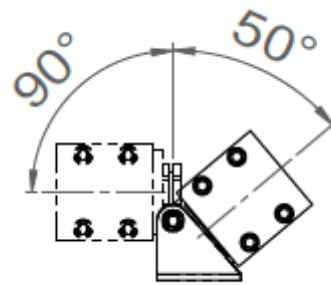
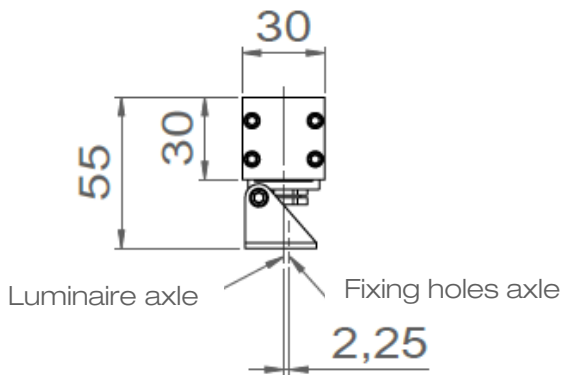
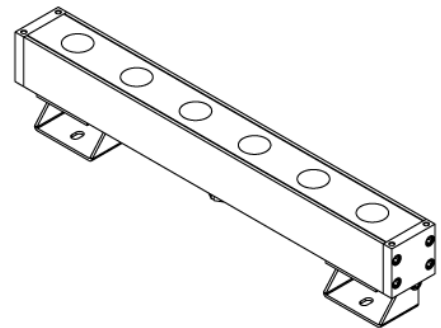
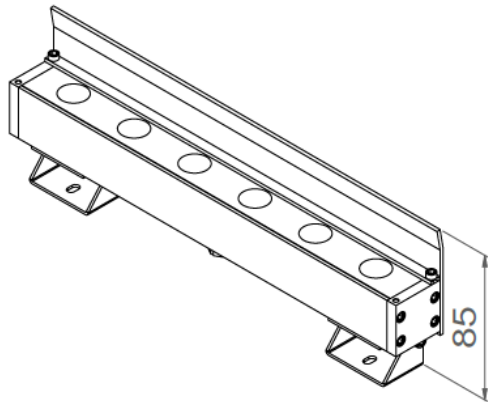
Tel. : +33 380 48 65 68
contact@louss.fr
www.louss.fr
Best & LOuss

Siège social / Head Office
PA Les Terres d'Or
Route de Saint Philibert
21220 Gevrey Chambertin - FRANCE



With deflector

Without deflector



Fixing bracket

All the connections have to be made before powering up, otherwise the luminaires could be seriously damaged

Creation : 2019.10.03 / Last update : 2025.06.10