

# Wouss

Lighting Emotion



## NanoStaff Duo



## NanoStaff Duo

<b>Range</b>	Recessed luminaire for general & accent lighting
<b>Description</b>	Two very small low luminance spotlights with fixed orientation, inserted in a gypsum board and fixed with spring plungers. 2 brackets
<b>Dimensions &amp; Weight</b>	Spring plungers : 130x45x51mm with brackets 0.867 kg
<b>Installation</b>	Recessed in the ceiling (see installation's instructions)
<b>LED spots</b>	2 black matt finish LED spotlights with quick connectors : 2700K - 3000K - 3500K - 4000K - 5000K MacAdam ellipse : 3SDCM CRI 92 R9>80 Fixed orientation : angle 10°
<b>Optical beam</b>	16° - 20° - 40° - 65° - 17°x49° (elliptical possible without inclination)
<b>Connection</b>	Delivered with a multi-plug cable for serial connection, to be inserted into the ceiling before the installation of the luminaire
<b>Separate power supply</b>	≤ 700mA constant current driver
<b>LED power</b>	2W at 350mA 3W at 500mA 4W at 700mA
<b>Use limitations</b>	The product must be installed into a ventilated area. Any use with an ambient temperature higher than the specified ambient temperature (Ta) would lead to a more rapid mortality of the product and the withdrawal of our guarantees. The drivers, if not delivered by LOUSS, must be approved before use.
<b>Warranty</b>	Life span: L80B10 at 50,000 hours (80% remaining flux) at 25°C ambient temperature. 3-year parts and labour warranty. The warranty does not apply to products that have been opened, modified or repaired and does not cover the effects of a wrong connection, careless, abusive handling, overvoltage, lighting injury, as well as the normal wear of the product. All products are electrically tested and received a functional burn-in.

All the connections have to be made before powering up,  
otherwise the luminaires could be seriously damaged.  
Last update : 22.04.22

LOUSS

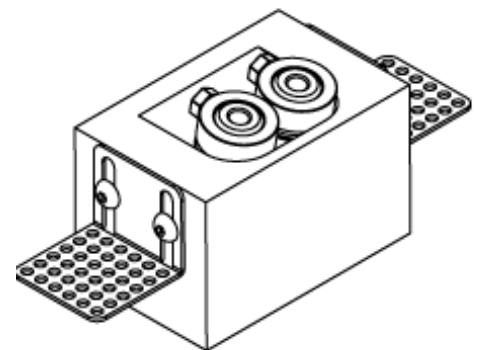
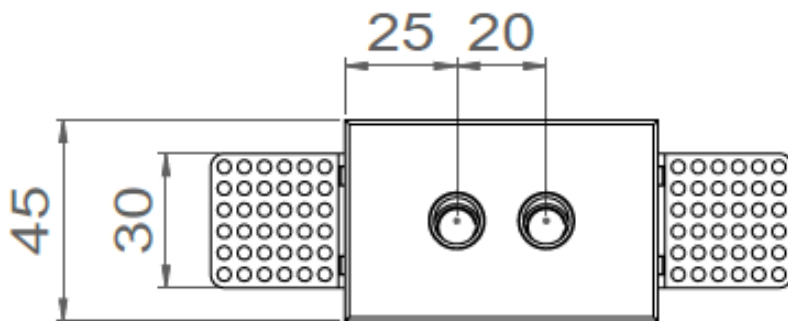
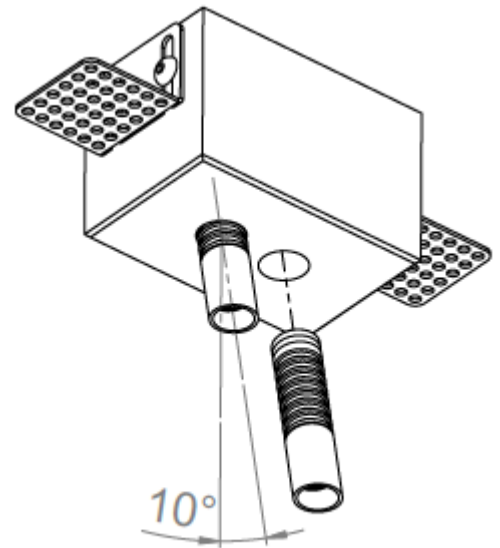
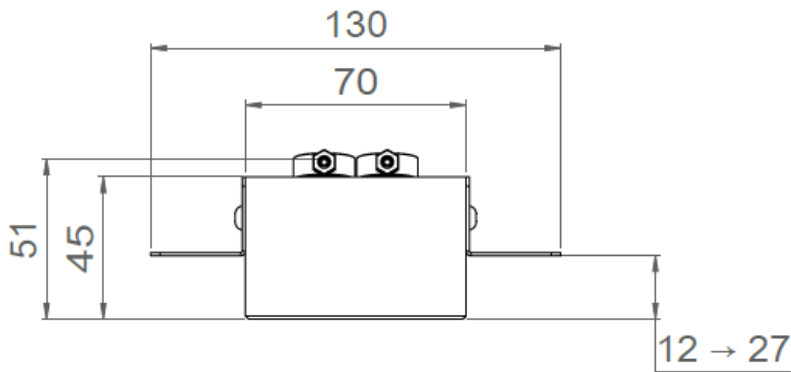
SARL, Capital 40 000€  
RCS DIJON B 503 367 245  
TVA/VAT n°: FR24 503 367 245  
APE 4676Z

Tel. : +33 380 48 65 68  
contact@louss.fr  
[www.louss.fr](http://www.louss.fr)  
Best group

2/5  
Firalux & LOUSS brands  
Siège social / Head Office  
PA Les Terres d'Or  
Route de Saint Philibert  
21220 Gevrey Chambertin - FRANCE



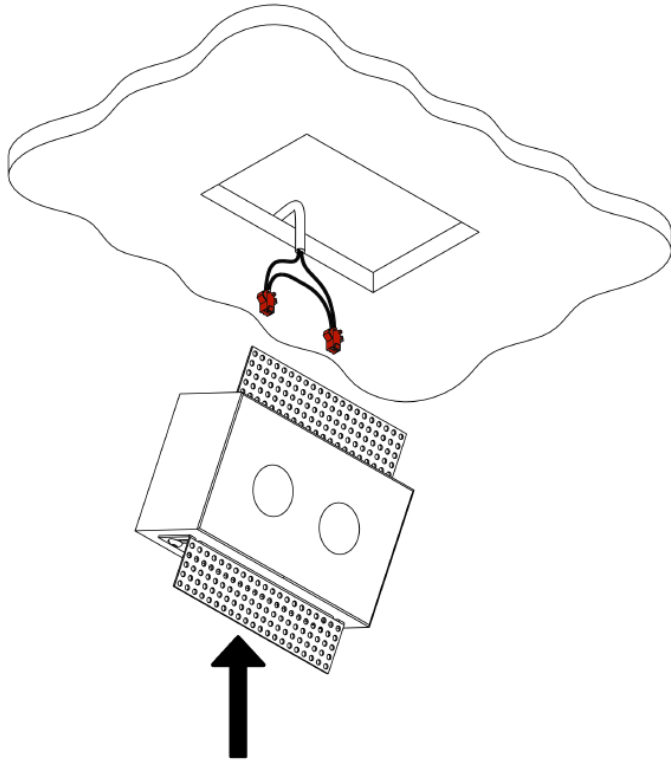
## NanoStaff Duo



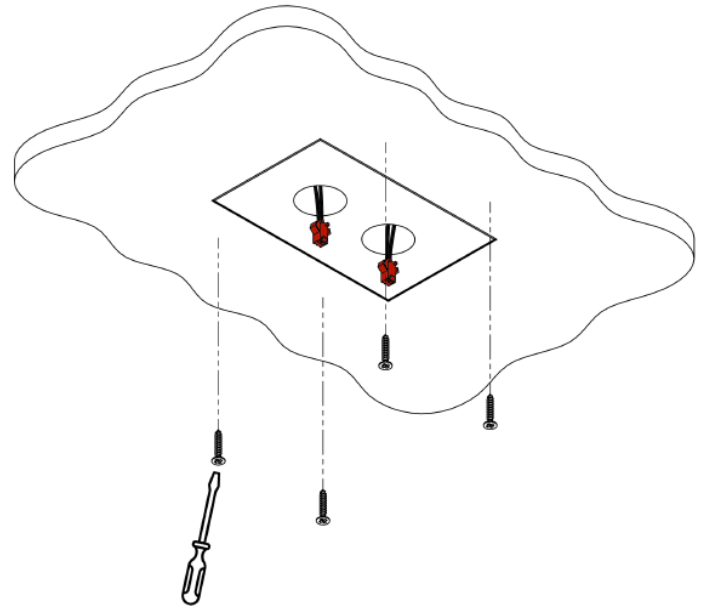
All the connections have to be made before powering up,  
otherwise the luminaires could be seriously damaged.



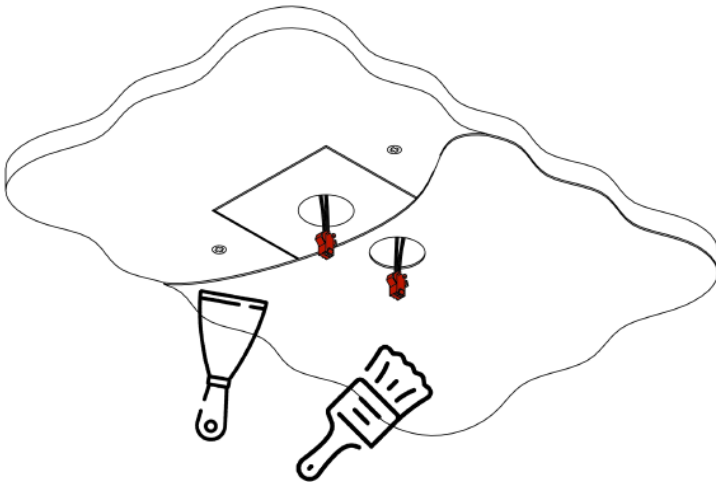
## NanoStaff Duo Installation's instructions



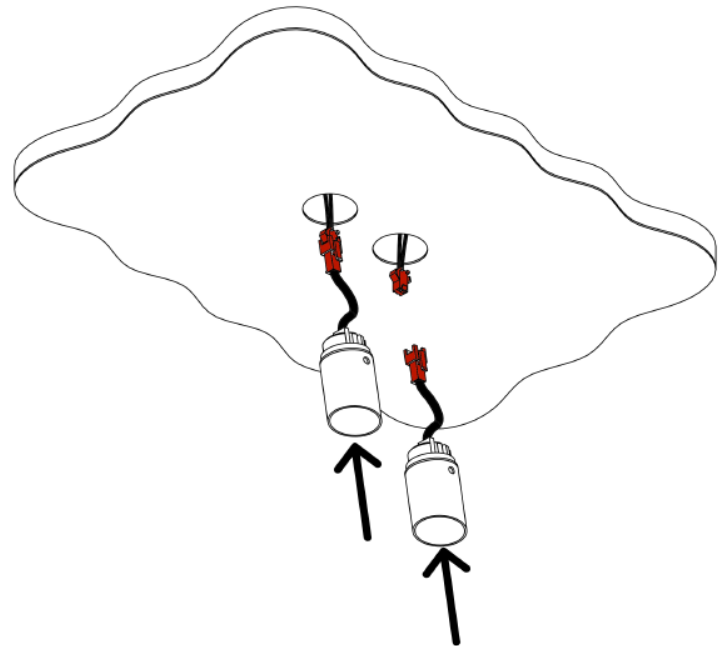
**1** Insert the multi-plug cable into the ceiling



**2** Insert the gypsum board and fix it



**3** Cover the gypsum board and brackets with plaster and painting

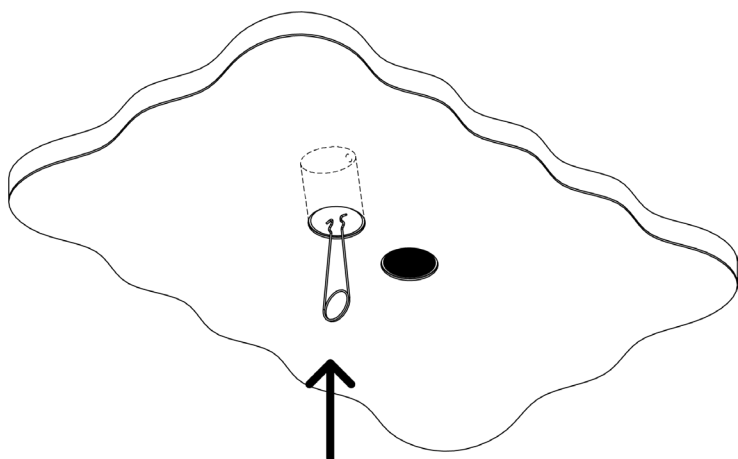


**4** Insert the LED spots and fix them by using the quick connectors

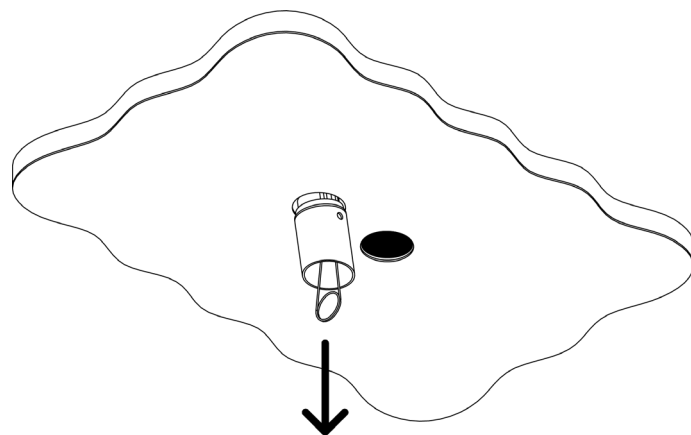
All the connections have to be made before powering up,  
otherwise the luminaires could be seriously damaged.



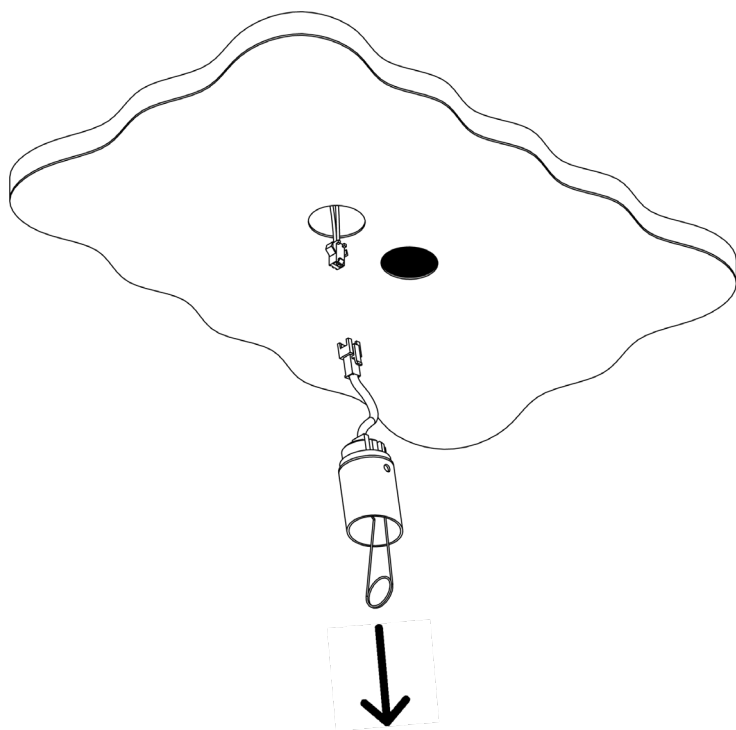
## NanoStaff Spotlight replacement guide



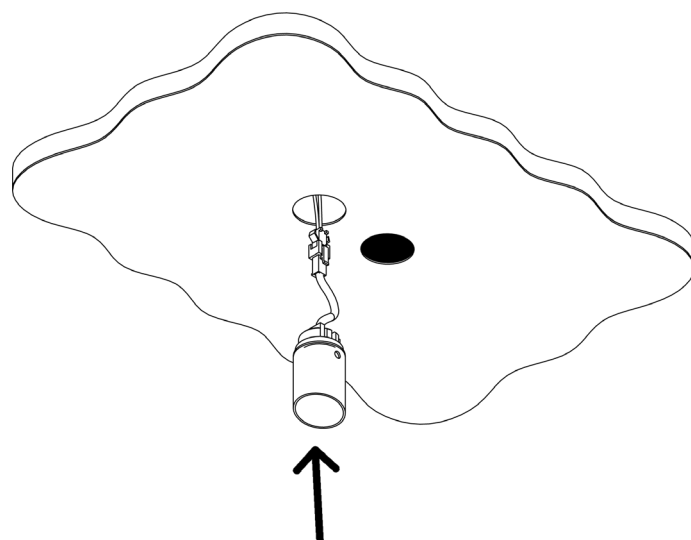
- 1** Insert the supplied extractor into the 2 holes of the LED spot to be replaced



- 2** Pull the extractor down to remove the LED spot



- 3** Remove the LED spot using the quick connector



- 4** Install the new LED spot using the remaining quick connector in the ceiling

All the connections have to be made before powering up,  
otherwise the luminaires could be seriously damaged.