

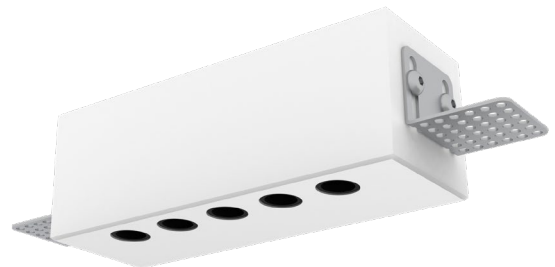
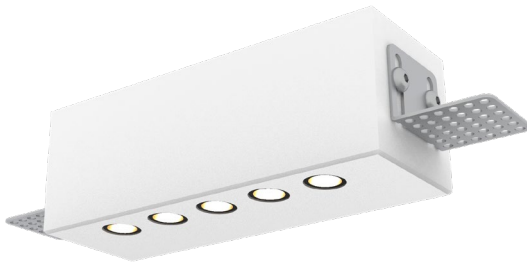
Wouss

Lighting Emotion



NanoStaff 5 SPOTS





NanoStaff 5 Spots

Range	Recessed luminaire for general & accent lighting
Description	Five very small low luminance spotlights with fixed orientation, inserted in a gypsum board and fixed with spring plungers. 2 brackets
Dimensions & Weight	190x45x51mm with brackets 1.314 kg
Installation	Recessed in the ceiling (see installation's instructions)
LED spots	5 black matt finish LED spotlights with quick connectors : 2700K - 3000K - 3500K - 4000K - 5000K MacAdam ellipse : 3SDCM CRI 92 R9>80 Fixed orientation : angle 10° - 15° - 25°
Optical beam	16° - 20° - 40° - 65° - 17°x49° (elliptical possible without inclination)
Connection	Delivered with a multi-plug cable for serial connection, to be inserted into the ceiling before the installation of the luminaire
Separate power supply	≤ 700mA constant current driver
LED power	5W at 350mA 8W at 500mA 10W at 700mA
Use limitations	The product must be installed into a ventilated area. Any use with an ambient temperature higher than the specified ambient temperature (Ta) would lead to a more rapid mortality of the product and the withdrawal of our guarantees. The drivers, if not delivered by LOuss, must be approved before use.
Warranty	Life span: L80B10 at 50,000 hours (80% remaining flux) at 25°C ambient temperature. 3-year parts and labour warranty. The warranty does not apply to products that have been opened, modified or repaired and does not cover the effects of a wrong connection, careless, abusive handling, overvoltage, lighting injury, as well as the normal wear of the product. All products are electrically tested and received a functional burn-in.

All the connections have to be made before powering up,
otherwise the luminaires could be seriously damaged.

LOuss

Last update : 01/07/2022

2/4

Firalux & LOuss brands

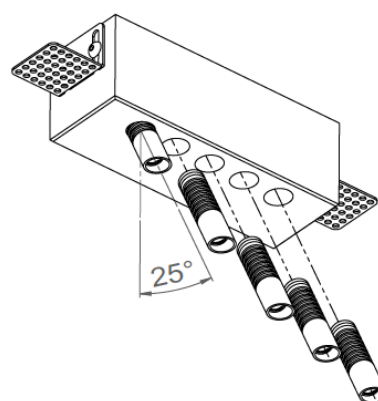
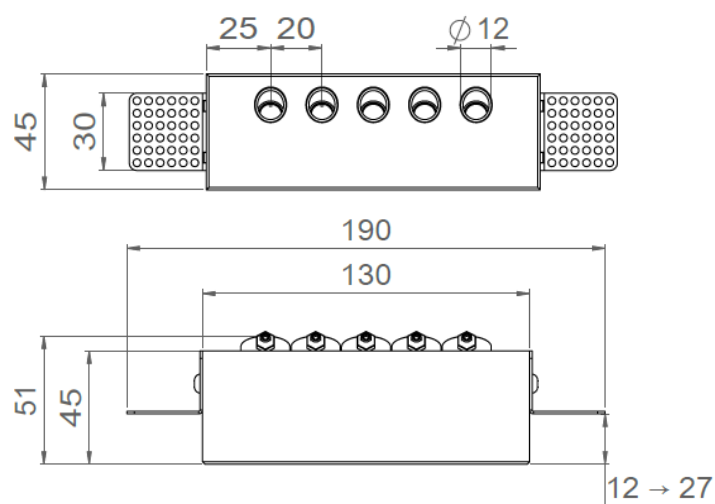
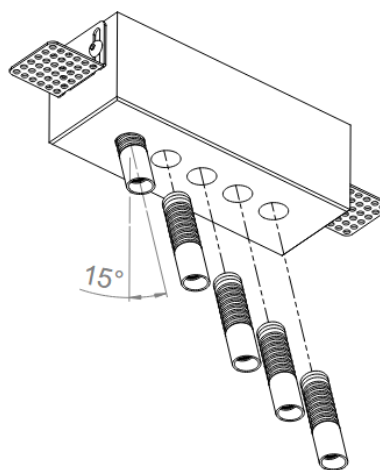
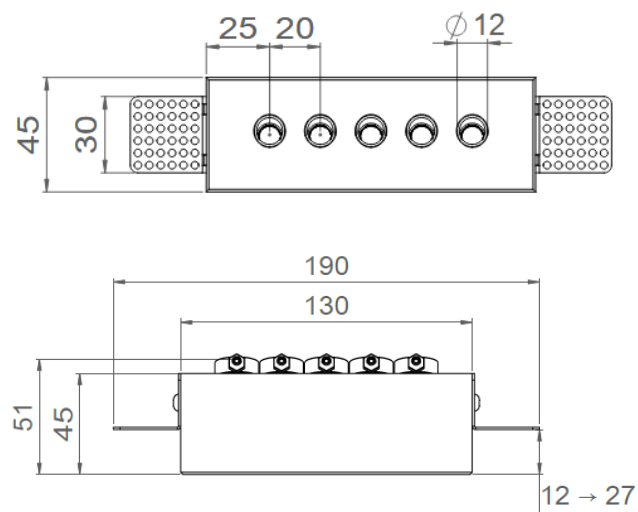
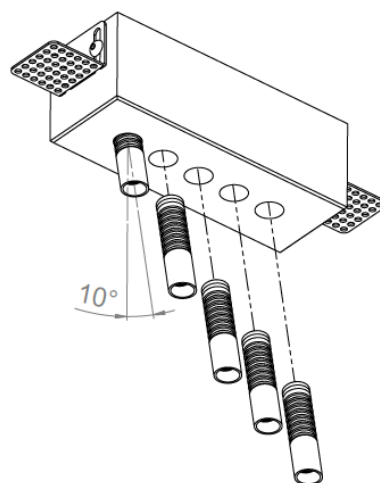
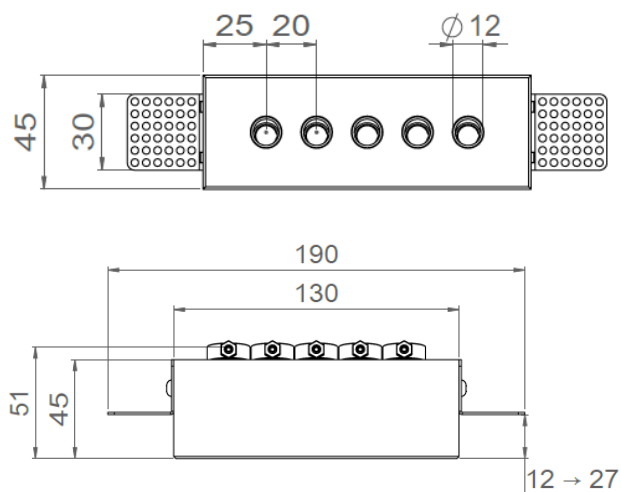
SARL, Capital 40 000€
RCS DIJON B 503 367 245
TVA/VAT n°: FR24 503 367 245
APE 4676Z

Tel. : +33 380 48 65 68
contact@louss.fr
www.louss.fr
Best group

Siège social / Head Office
PA Les Terres d'Or
Route de Saint Philibert
21220 Gevrey Chambertin - FRANCE



NanoStaff 5 spots

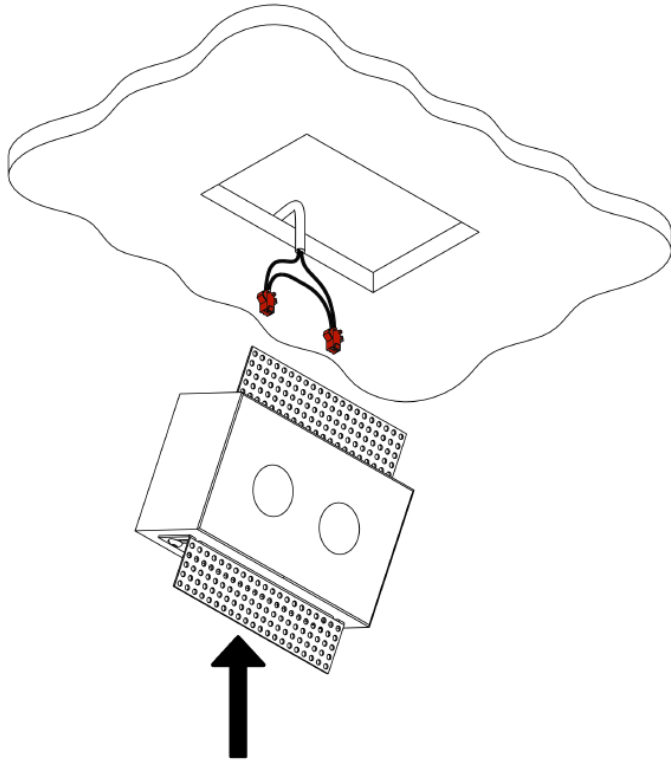


All the connections have to be made before powering up,
otherwise the luminaires could be seriously damaged.

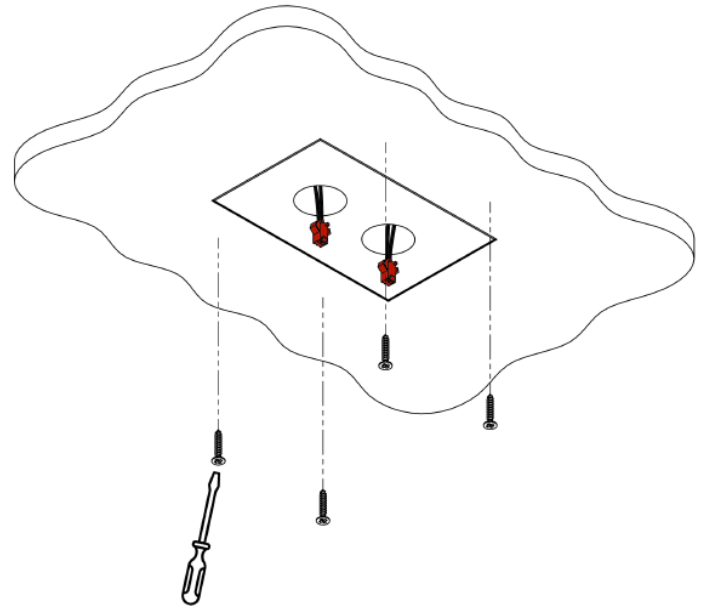


NanoStaff Duo

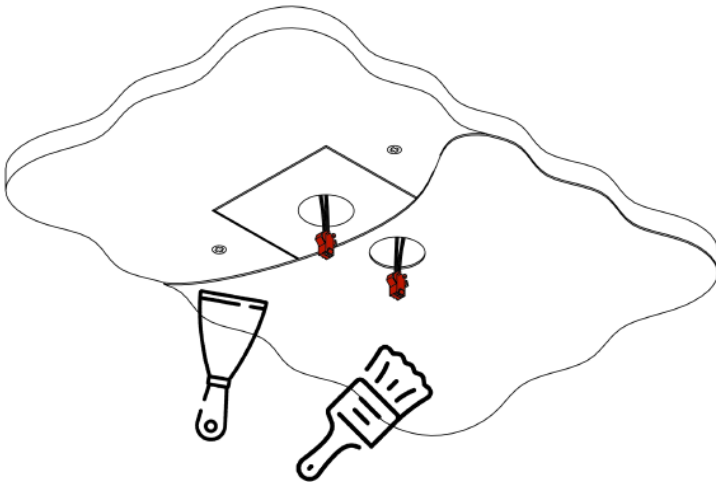
Installation's instructions



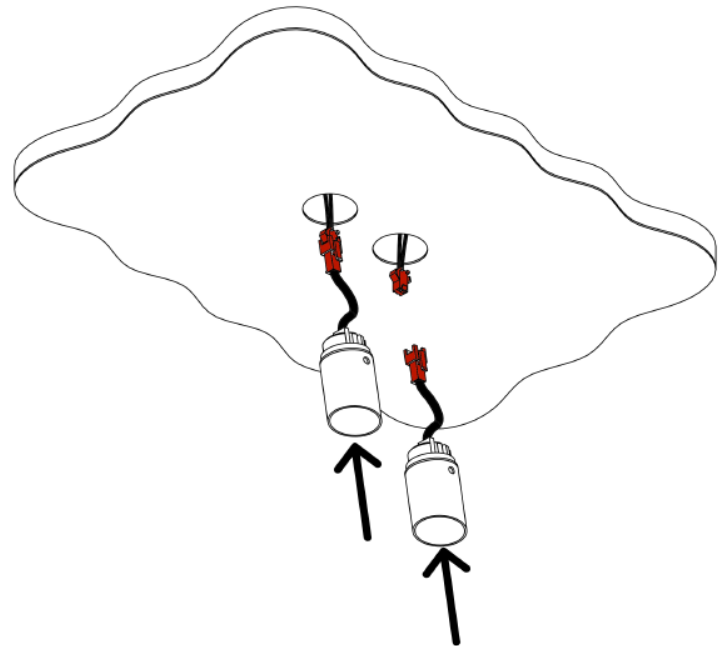
1 Insert the multi-plug cable into the ceiling



2 Insert the gypsum board and fix it



3 Cover the gypsum board and brackets with plaster and painting

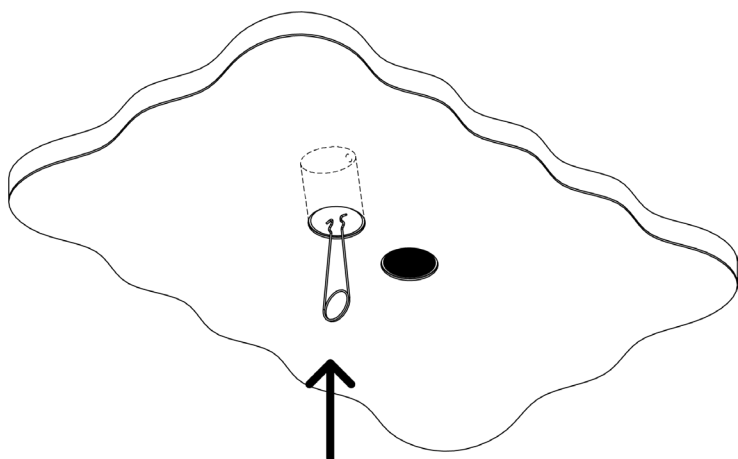


4 Insert the LED spots and fix them by using the quick connectors

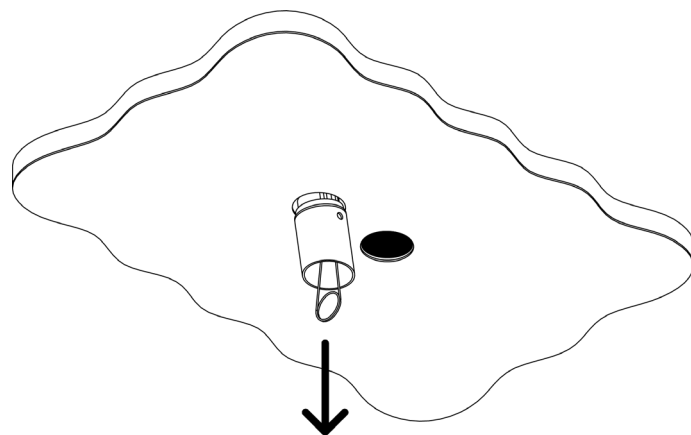
All the connections have to be made before powering up, otherwise the luminaires could be seriously damaged.



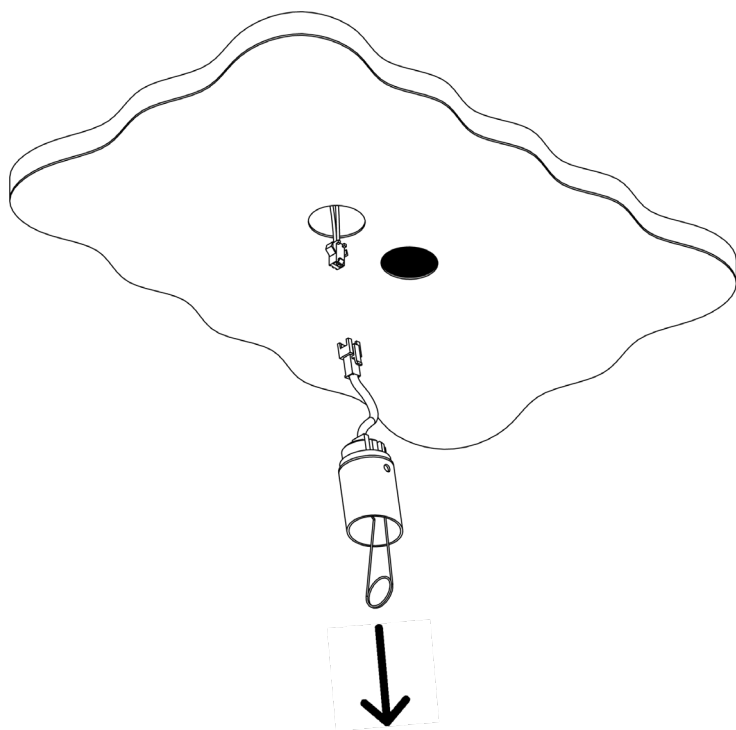
NanoStaff Spotlight replacement guide



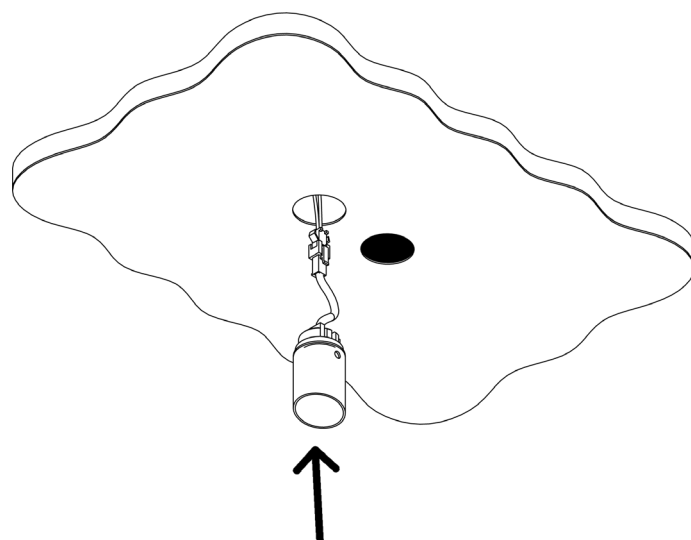
- 1** Insert the supplied extractor into the 2 holes of the LED spot to be replaced



- 2** Pull the extractor down to remove the LED spot



- 3** Remove the LED spot using the quick connector



- 4** Install the new LED spot using the remaining quick connector in the ceiling

All the connections have to be made before powering up,
otherwise the luminaires could be seriously damaged.