



---



## XS MICRO



## XS MICRO

<b>Range</b>	Linear LED light				
<b>Description</b>	Black anodized aluminum profile Clear or opal diffuser 2 end caps Fixing clips (2 per meter)				
<b>Dimensions</b>	Width : 10.5mm (with fixing clips) Height : 11mm (with fixing clips) Length upon request up to 2,500mm				
<b>LED characteristics</b>	2700K – 3000K – 3500K – 3000K+3500K – 4000K CRI 90 R9 > 50				
<b>Separate power supply</b>	24V constant voltage For the US & Canada use a remote UL class 2 power supply				
<b>LED Strip</b>	<b>Color temperature</b>	<b>LED power W/m</b>	<b>CRI</b>	<b>Cut-out size</b>	<b>LED/m</b>
FIRASLIM 120cc (other upon request)	2700K – 3000K – 3000K+3500K - 4000K	9.6	90	50mm	120
	2700K – 3000K – 3500K – 4000K	14.4	90	50mm	120
	2700K – 3000K – 4000K	19.2	90	50mm	120
<b>Connection</b>	5m maximum per driver's output				
<b>Use Limitations</b>	The product must be installed into a ventilated area Any use with an ambient temperature higher than the specified ambient temperature (Ta) would lead to a more rapid mortality of the product and the withdrawal of our guarantees The drivers, if not delivered by LOuss, must be approved before use				
<b>Warranty</b>	Life span: L80-B10 = 35,000 hours (80% remaining flux) at 30°C ambient temperature 3-year parts and labor warranty The warranty does not apply to products that have been opened, modified or repaired and does not cover the effects of a wrong connection, careless, abusive handling, overvoltage, lighting injury, as well as the normal wear of the product All products are electrically tested and receive a functional burn-in				

All the connections have to be made before powering up,  
otherwise the luminaires could be seriously damaged

Creation : 2022.01.20 / Last update : 2025.11.04

**LOuss**

BEST SAS, Capital 200 000€  
RCS Dijon B 408 483 485  
TVA/VAT n° : FR94 408 483 485  
APE 2612Z

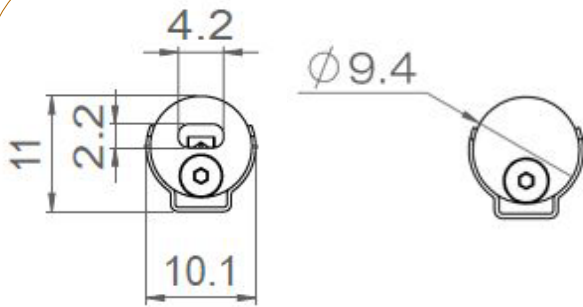
Tel. : +33 380 48 65 68  
contact@louss.fr  
[www.louss.fr](http://www.louss.fr)  
Best & LOuss

Siège social / Head Office  
PA Les Terres d'Or  
Route de Saint Philibert  
21220 Gevrey Chambertin - FRANCE

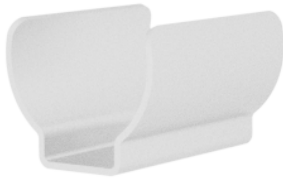


# XS MICRO

## Dimensions & Installation



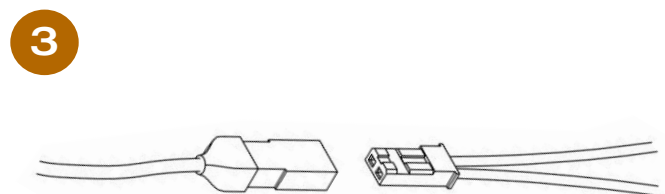
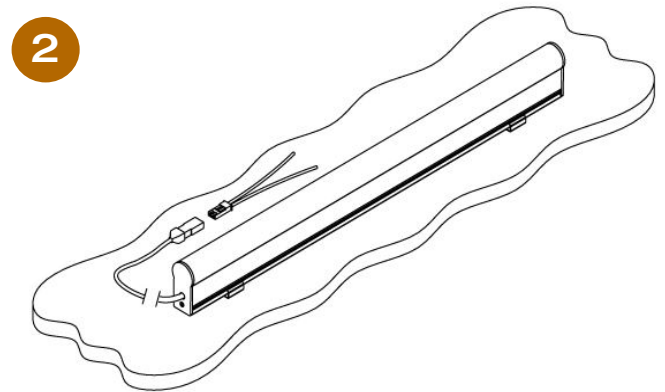
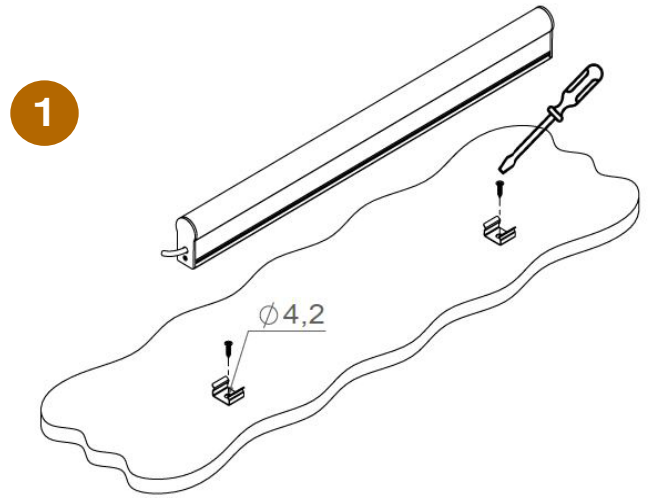
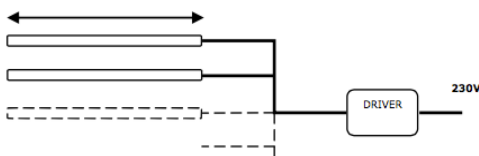
Fixing clip (2 per meter)



LED strip – Cut-out size 50mm



5m max per driver's output



All the connections have to be made before powering up, otherwise the luminaires could be seriously damaged

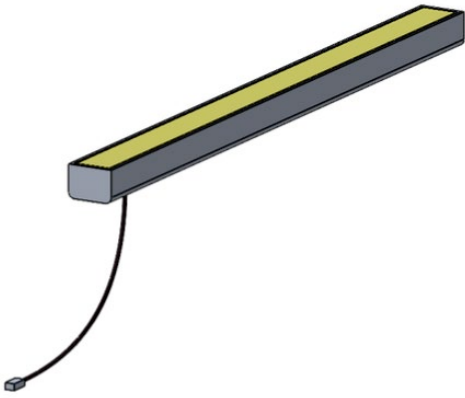
Creation : 2022.01.20 / Last update : 2025.11.04

**LOUSS**

BEST SAS, Capital 200 000€  
RCS Dijon B 408 483 485  
TVA/VAT n° : FR94 408 483 485  
APE 2612Z

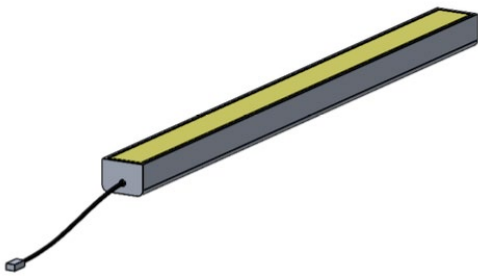
Tel. : +33 380 48 65 68  
contact@louss.fr  
www.louss.fr  
Best & LOUSS

Siège social / Head Office  
PA Les Terres d'Or  
Route de Saint Philibert  
21220 Gevrey Chambertin - FRANCE



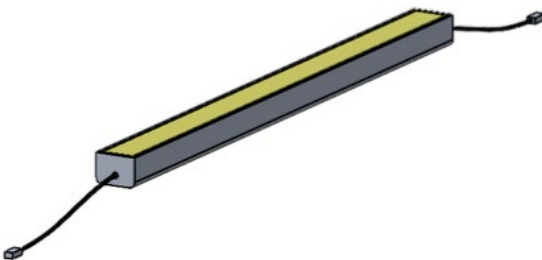
### Cable below

110mm or 250mm cable + male quick connector on 1 end  
or  
1m cable + male quick connector on 1 end



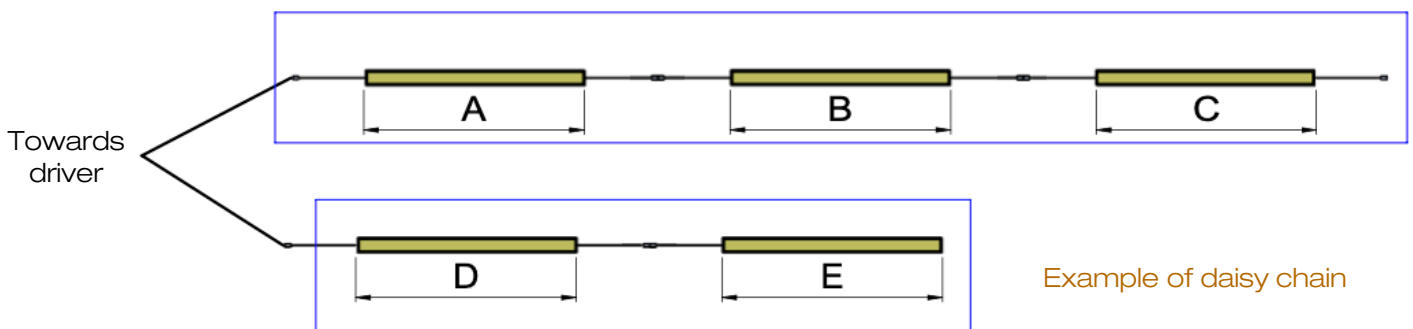
### Cable on 1 end

110mm or 250mm cable + male quick connector on 1 end  
or  
1m cable + male quick connector on 1 end



### Daisy chain

110mm or 250mm cable + male quick connector on 1 end  
+  
110mm or 250mm cable + female quick connector on the other end



Create as many lines as needed to respect the maximum length per line, according to the selected LED strip and the wattage of the driver

All the connections have to be made before powering up, otherwise the luminaires could be seriously damaged

Creation : 2022.01.20 / Last update : 2025.11.04

4/4