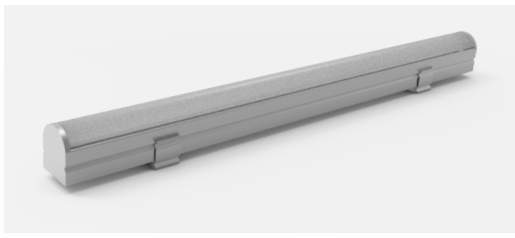




VARIOPTIC



VARIOPTIC

Range	Linear LED light						
Description	Natural anodized aluminum profile 20° to 90° slightly frosted diffuser 2 natural aluminum end caps Fixing clips						
Dimensions	Width : 16.5mm (with fixing clips) Height : 19mm (with fixing clips) Length upon request up to 2,500mm						
LED characteristics	2700K – 3000K – 3500K – 4000K CRI 90 R9 > 50						
Separate power supply	24V constant voltage For the US & Canada use a remote UL class 2 power supply						
LED Strip	Color temperature	LED power W/m			CRI	Cut-out size	LED/m
FIRALED 160 (other upon request)	2700K – 3000K 3500K - 4000K	10.4	15.5	18	90	50mm	160
Connection	5m maximum per driver's output						
Use Limitations	The product must be installed into a ventilated area Any use with an ambient temperature higher than the specified ambient temperature (Ta) would lead to a more rapid mortality of the product and the withdrawal of our guarantees The drivers, if not delivered by LOUSS, must be approved before use						
Warranty	Life span: L80-B10 = 35,000 hours (80% remaining flux) at 30°C ambient temperature 3-year parts and labor warranty The warranty does not apply to products that have been opened, modified or repaired and does not cover the effects of a wrong connection, careless, abusive handling, overvoltage, lighting injury, as well as the normal wear of the product All products are electrically tested and receive a functional burn-in						

All the connections have to be made before powering up,
otherwise the luminaires could be seriously damaged

LOUSS

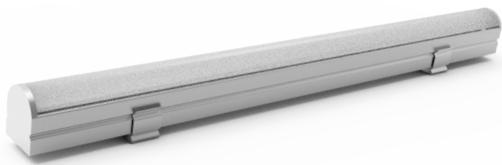
Creation : 2017.03.23 / Last update : 2025.07.23

2/4

BEST SAS, Capital 200 000€
RCS Dijon B 408 483 485
TVA/VAT n° : FR94 408 483 485
APE 2612Z

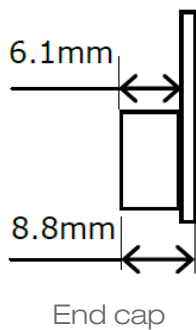
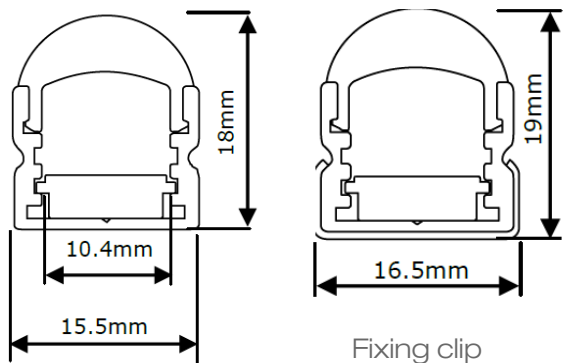
Tel. : +33 380 48 65 68
contact@louss.fr
www.louss.fr
Best & LOUSS

Siège social / Head Office
PA Les Terres d'Or
Route de Saint Philibert
21220 Gevrey Chambertin - FRANCE



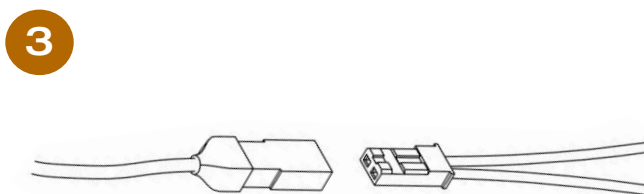
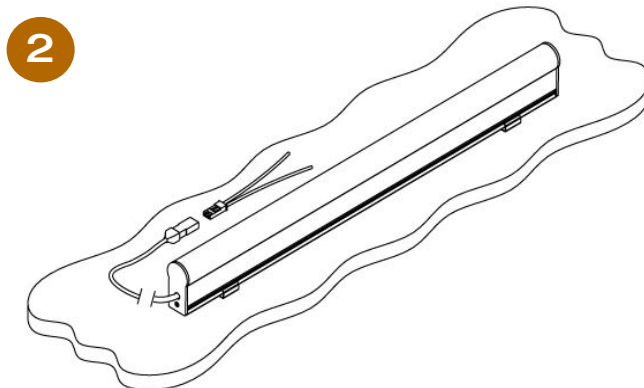
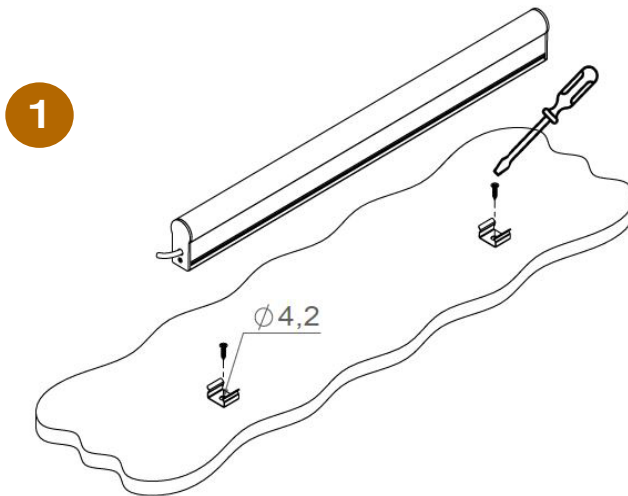
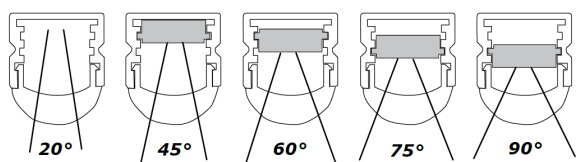
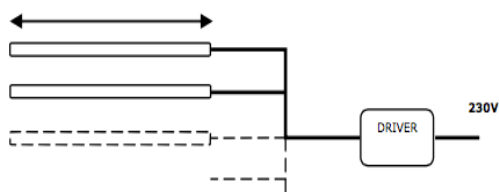
VARIOPTIC

Dimensions & Installation guide

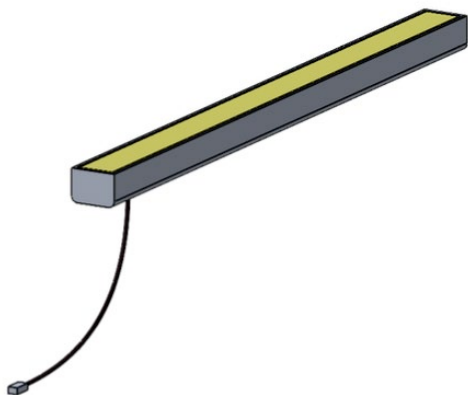


LED strip – Cut-out size 50mm

5m max. per driver's output

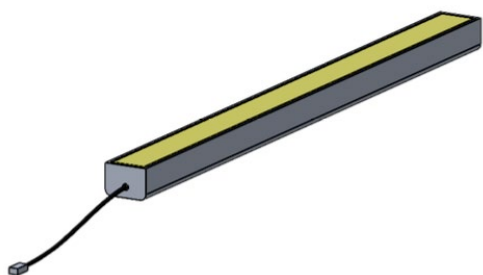


All the connections have to be made before powering up, otherwise the luminaires could be seriously damaged



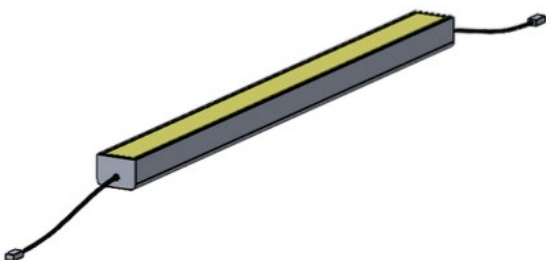
Cable below

110mm or 250mm cable + male quick connector on 1 end
or
1m cable + male quick connector on 1 end



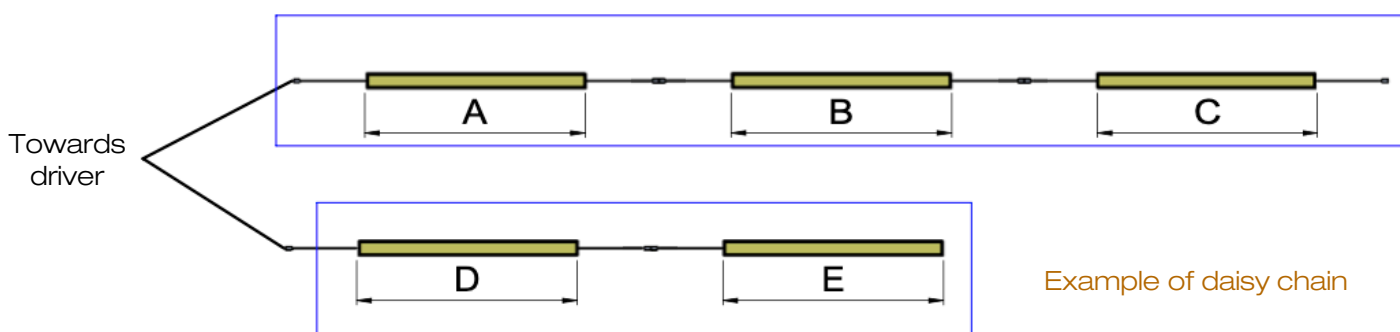
Cable on 1 end

110mm or 250mm cable + male quick connector on 1 end
or
1m cable + male quick connector on 1 end



Daisy chain

110mm or 250mm cable + male quick connector on 1 end
+
110mm or 250mm cable + female quick connector on the other end



Example of daisy chain

Create as many lines as needed to respect the maximum length per line, according to the selected LED strip and the wattage of the driver

All the connections have to be made before powering up, otherwise the luminaires could be seriously damaged