



## PIANO

The thin & elegant linear LED light





Single Recessed



Single Trimless Box



Single Trimless Magnetic Box



Single Trimless Magnetic Box with Magnets



Trimless Custom Length

Range	Decorative linear LED light low luminance for accent & ambient lighting
<b>Piano Single Recessed Description</b>	Recessed aluminum profile with trim 114x39x33.6mm 5 LEDs with low luminance black tubes: <ul style="list-style-type: none"> <li>• Straight</li> <li>• Tilted 7° - 10° - 15°</li> </ul> Paint finish according to requested RAL Net weight : 0.120 kg
<b>Piano Single Trimless Box Description</b>	Trimless recessed aluminum profile 5 LEDs with low luminance black tubes: <ul style="list-style-type: none"> <li>• Straight</li> <li>• Tilted 7° - 10° - 15°</li> </ul> Recessed aluminum frame with fixing brackets (installation of the driver on the top of the luminaire) Dimensions : 117x36x26.5mm (frame included) Paint finish according to requested RAL Net weight : 0.150 kg
<b>Piano Single Trimless Box Magnetic Description</b>	Trimless recessed aluminum profile with magnets 5 LEDs with low luminance black tubes: <ul style="list-style-type: none"> <li>• Straight</li> <li>• Tilted 7° - 10° - 15°</li> </ul> Recessed box for jutting-out installation (remote installation of the driver) Dimensions : 117x36x30mm Paint finish according to requested RAL Net weight : 0.140 kg
<b>Piano Single Trimless Box Magnetic with brackets Description</b>	Trimless recessed aluminum profile with magnets 5 LEDs with low luminance black tubes: <ul style="list-style-type: none"> <li>• Straight</li> <li>• Tilted 7° - 10° - 15°</li> </ul> Recessed box with aluminum fixing brackets (remote installation of the driver) Dimensions : 117x30x36mm (157x36x30mm with fixing brackets) Paint finish according to requested RAL Net weight : 0.150kg

All the connections have to be made before powering up, otherwise the luminaires could be seriously damaged.



Single Recessed



Single Trimless Box



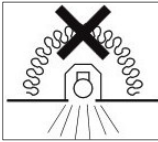
Single Trimless Magnetic Box



Single Trimless Magnetic Box with Magnets



Trimless Custom Length

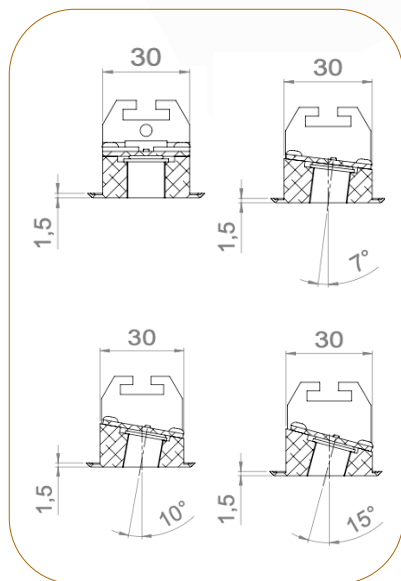
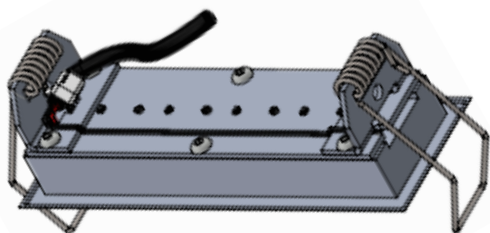
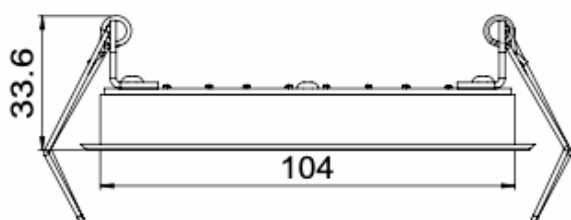
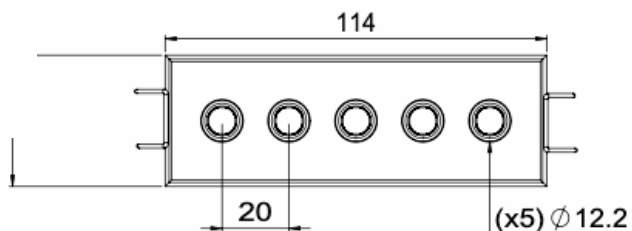
<p><b>Piano Trimless Custom Length Description</b></p>	<p>Trimless recessed aluminum profile with custom length 32x20.2mm – Length upon request: 2500mm max. Paint finish according to requested RAL Modules of 5 LEDs with low luminance black tubes (12 modules max.):</p> <ul style="list-style-type: none"> <li>• Straight</li> <li>• Tilted 7°</li> <li>• Tilted 10°</li> <li>• Tilted 15°</li> </ul> <p>Recessed box with aluminum brackets or metal plate, according to installation requirements Net weight: 1.2Kg/meter</p>
<p><b>LED characteristics</b></p>	<p>2700K – 3000K – 3500K – 4000K (other upon request) CRI 92 R9 &gt; 80 3 SDCM</p>
<p><b>Optical beams</b></p>	<p>16° - 21° - 28° - 38° - 40° - 50° (UGR &lt; 14) - 65° - Elliptical 16°x40°</p>
<p><b>Connection</b></p>	<p>Delivered with 0.5m cable</p>
<p><b>Power supply</b></p>	<p>Remote constant current driver 700mA max</p>
<p><b>Electrical class</b></p>	<p>III</p>
<p><b>Power</b></p>	<p>10W per module of 5 LEDs = 60W max. (12 modules)</p>
<p><b>Use limitations</b></p> 	<p>The product must be installed into a ventilated area This product must not be covered by insulating material Any use with an ambient temperature higher than the specified ambient temperature (Ta) would lead to a more rapid mortality of the product and the withdrawal of our guarantees The drivers, if not delivered by LOuss, must be approved before use</p>
<p><b>Warranty</b></p>	<p>Life span: L80-B10 = 35,000 hours (80% remaining flux) at 30°C ambient temperature The warranty applies to components and fabrication supplied by Louss The warranty does not apply to products that have been opened, modified or repaired and does not cover the effects of a wrong connection, careless, abusive handling, overvoltage, lighting injury, as well as the normal wear of the product All products are electrically tested and receive a functional burn-in</p>

All the connections have to be made before powering up, otherwise the luminaires could be seriously damaged.

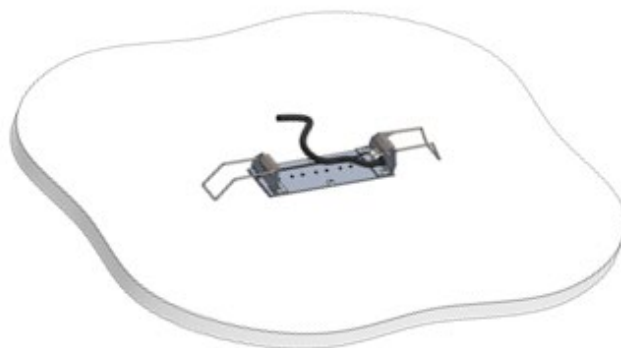
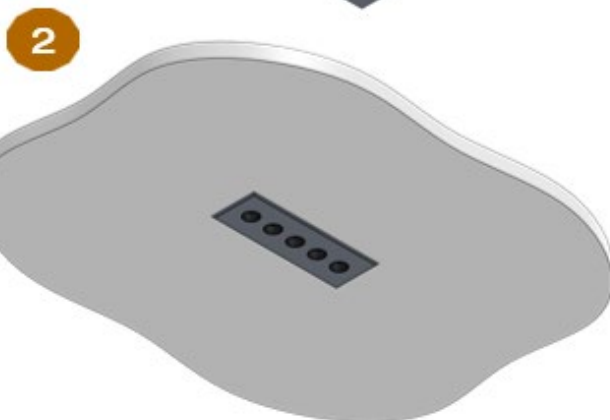
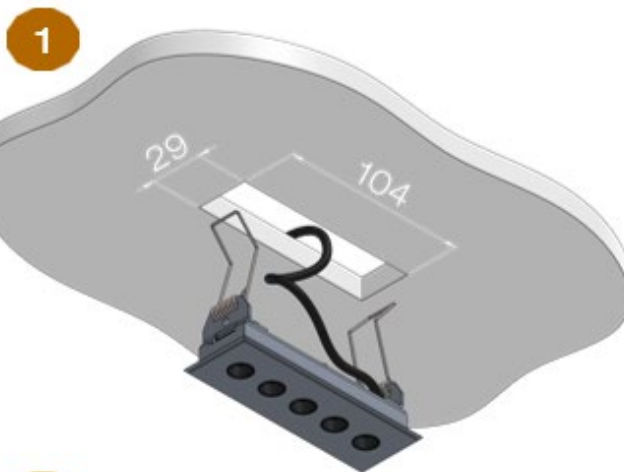


## PIANO SINGLE RECESSED

### Dimensions & Installation guide



Install on the underside of a support  
5 to 15mm thickness



All the connections have to be made before powering up,  
otherwise the luminaires could be seriously damaged.

Creation : 2020.12.14 / Last update : 2026.05.13 - R

LOUSS

BEST SAS, Capital 200 000€  
RCS Dijon B 408 483 485  
TVA/VAT n° : FR94 408 483 485  
APE 2612Z

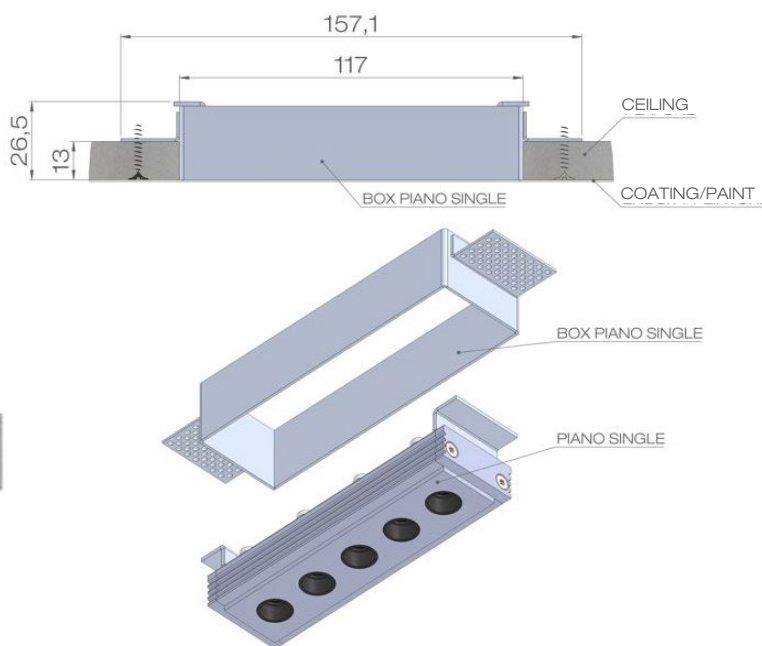
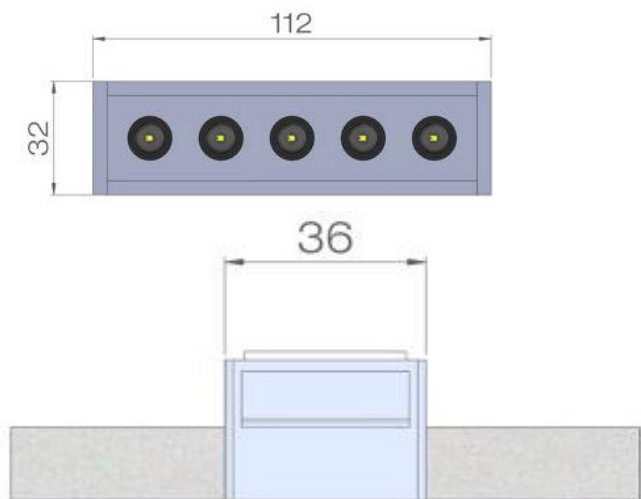
Tel. : +33 380 48 65 68  
contact@louss.fr  
[www.louss.fr](http://www.louss.fr)  
Best & LOUSS

Siège social / Head Office  
PA Les Terres d'Or  
Route de Saint Philibert  
21220 Gevrey Chambertin - FRANCE



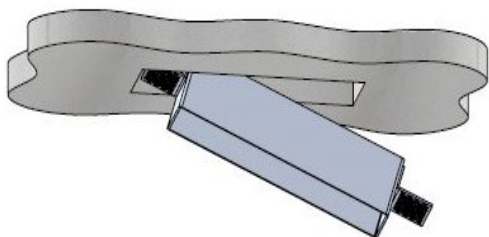
## PIANO SINGLE TRIMLESS

### Dimensions & Installation Guide

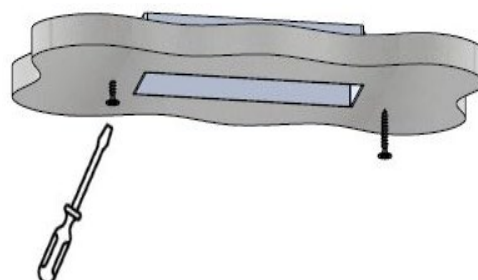


### Installation guide

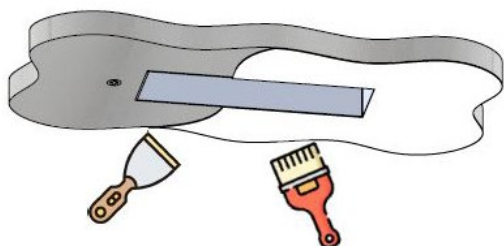
Installation in standard 13mm plasterboard with recessed box



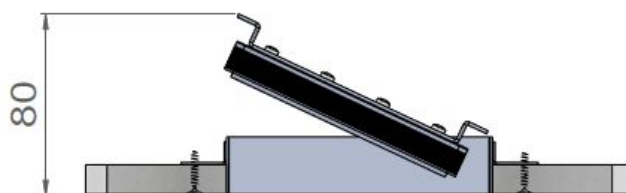
**1** Install the recessed box from above



**2** Screw the recessed box in into the surface



**3** Cover the lateral plates of the recessed frame by coating and painting



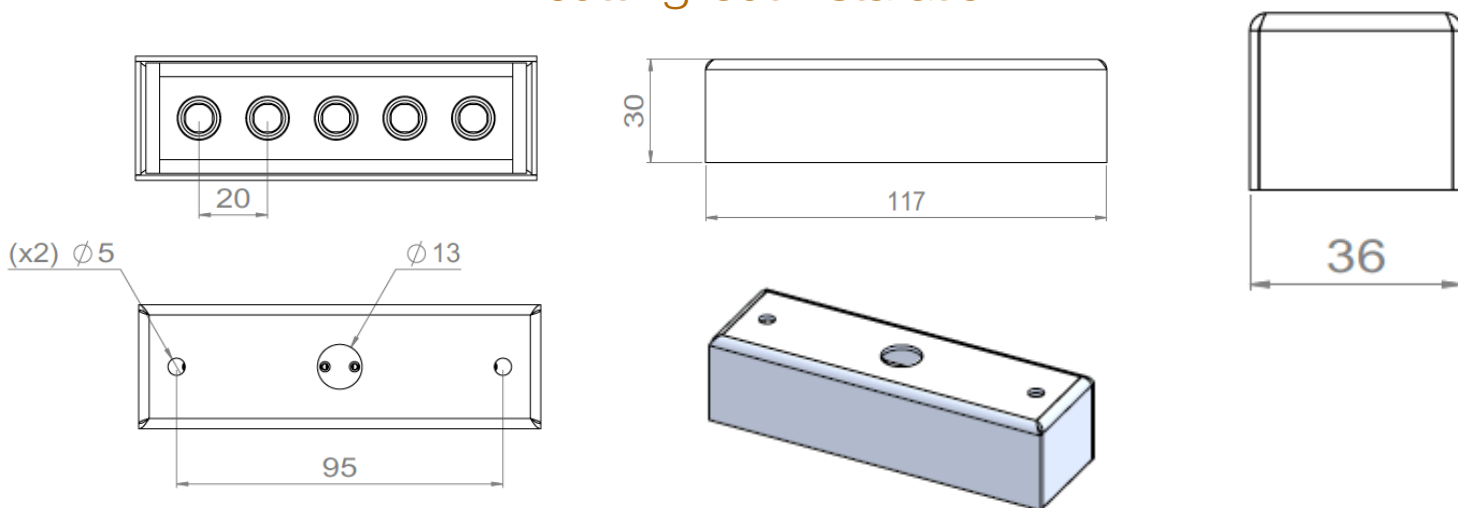
**4** Insert the spotlight

All the connections have to be made before powering up, otherwise the luminaires could be seriously damaged.

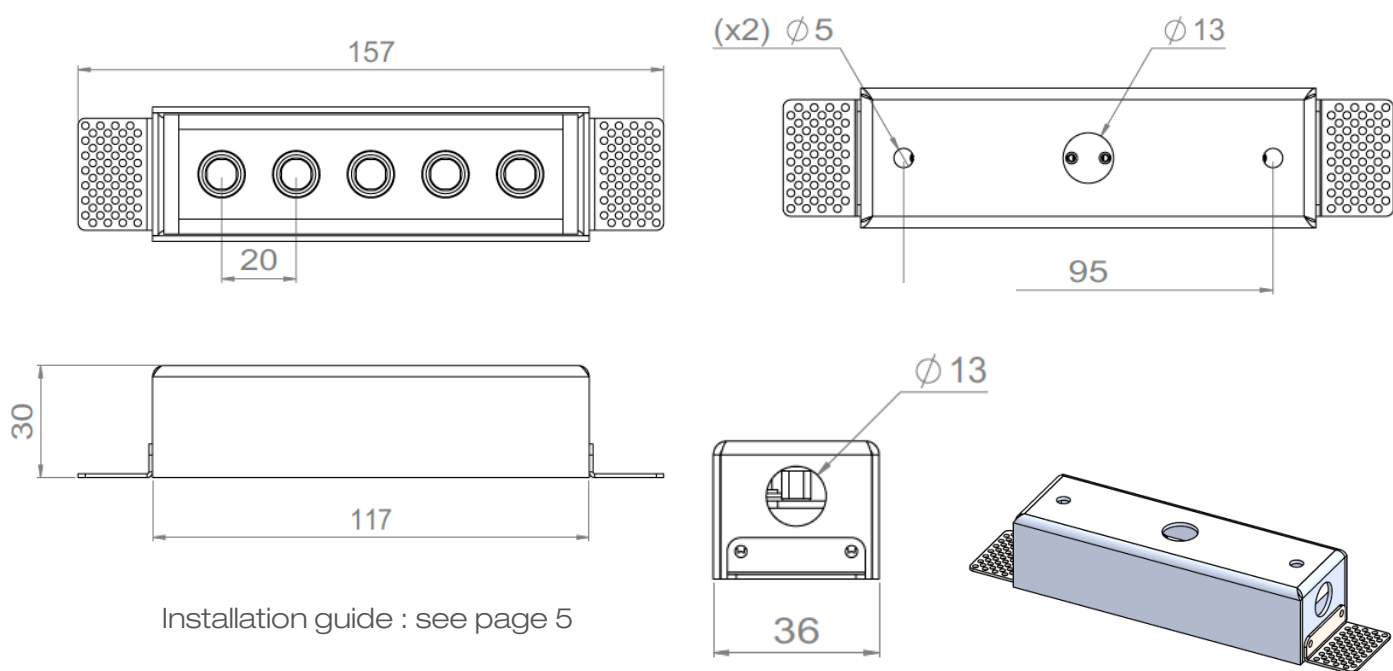


## PIANO SINGLE TRIMLESS BOX MAGNETIC

### Jutting-out installation



## PIANO SINGLE TRIMLESS BOX MAGNETIC WITH BRACKETS



Installation guide : see page 5

All the connections have to be made before powering up,  
otherwise the luminaires could be seriously damaged.

LOUSS

Creation : 2020.12.14 / Last update : 2026.05.13 - R

6/18

BEST SAS, Capital 200 000€  
RCS Dijon B 408 483 485  
TVA/VAT n° : FR94 408 483 485  
APE 2612Z

Tel. : +33 380 48 65 68  
contact@louss.fr  
[www.louss.fr](http://www.louss.fr)  
Best & LOUSS

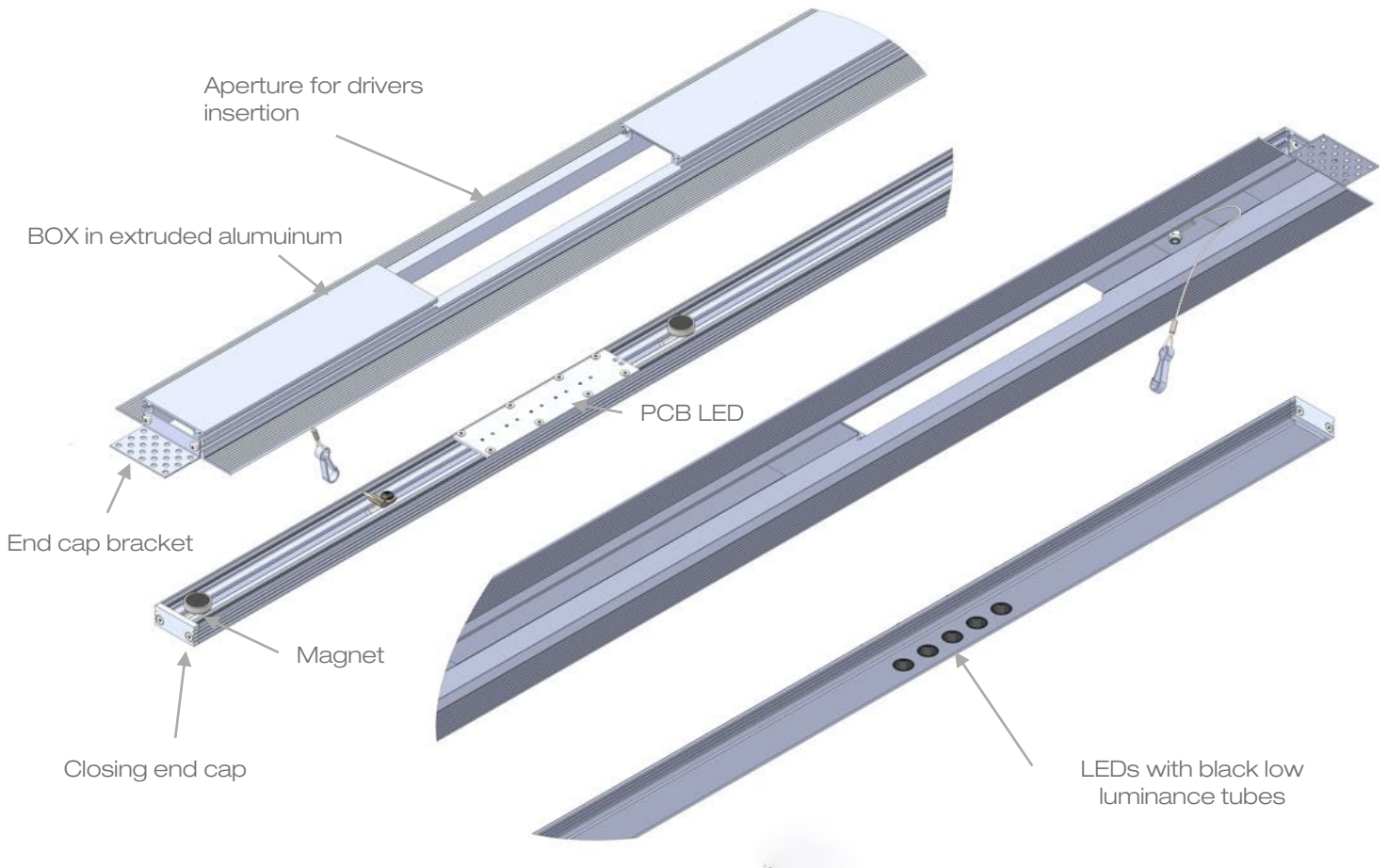
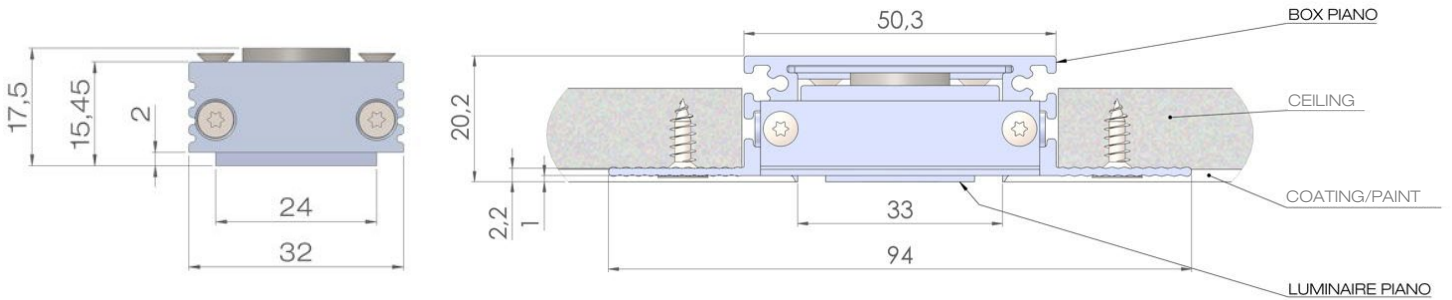
Siège social / Head Office  
PA Les Terres d'Or  
Route de Saint Philibert  
21220 Gevrey Chambertin - FRANCE



# PIANO TRIMLESS CUSTOM LENGTH

## Dimensions & Installation guide

Installation in standard 13mm plasterboard with recessed box



All the connections have to be made before powering up,  
otherwise the luminaires could be seriously damaged.

Creation : 2020.12.14 / Last update : 2026.05.13 - R

LOUSS

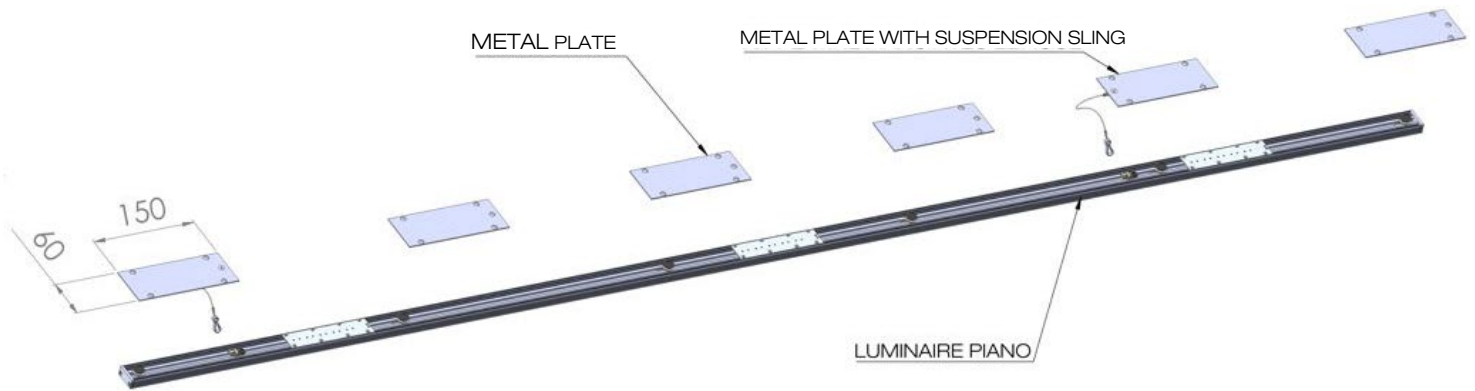
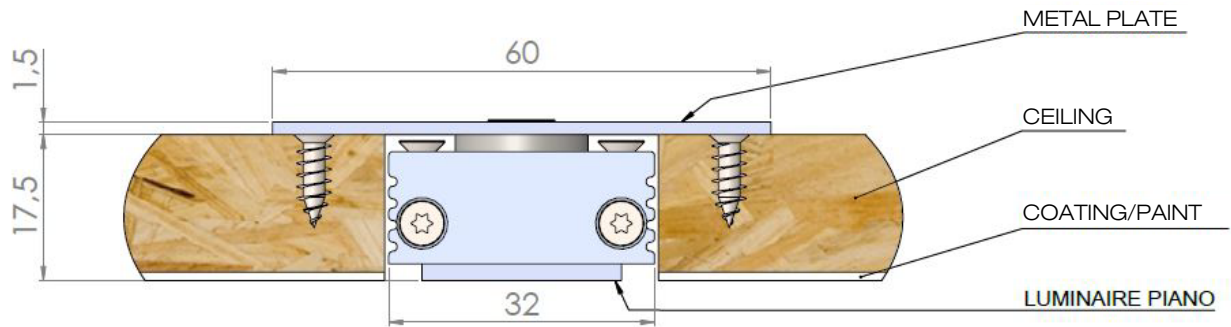
7/18



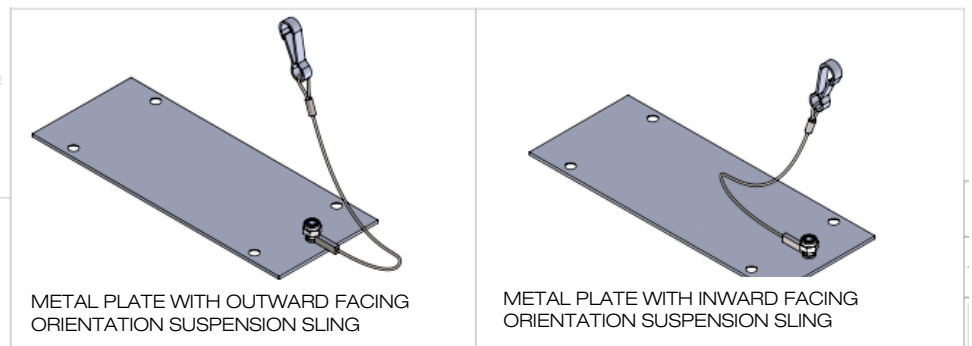
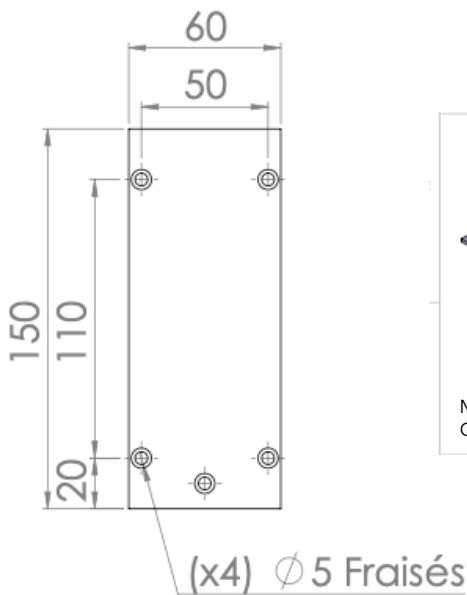
# PIANO TRIMLESS SUR-MESURE

## Dimensions & Installation guide

Installation in wood ceiling with metal plate and metal suspension slings



### Metal plates details



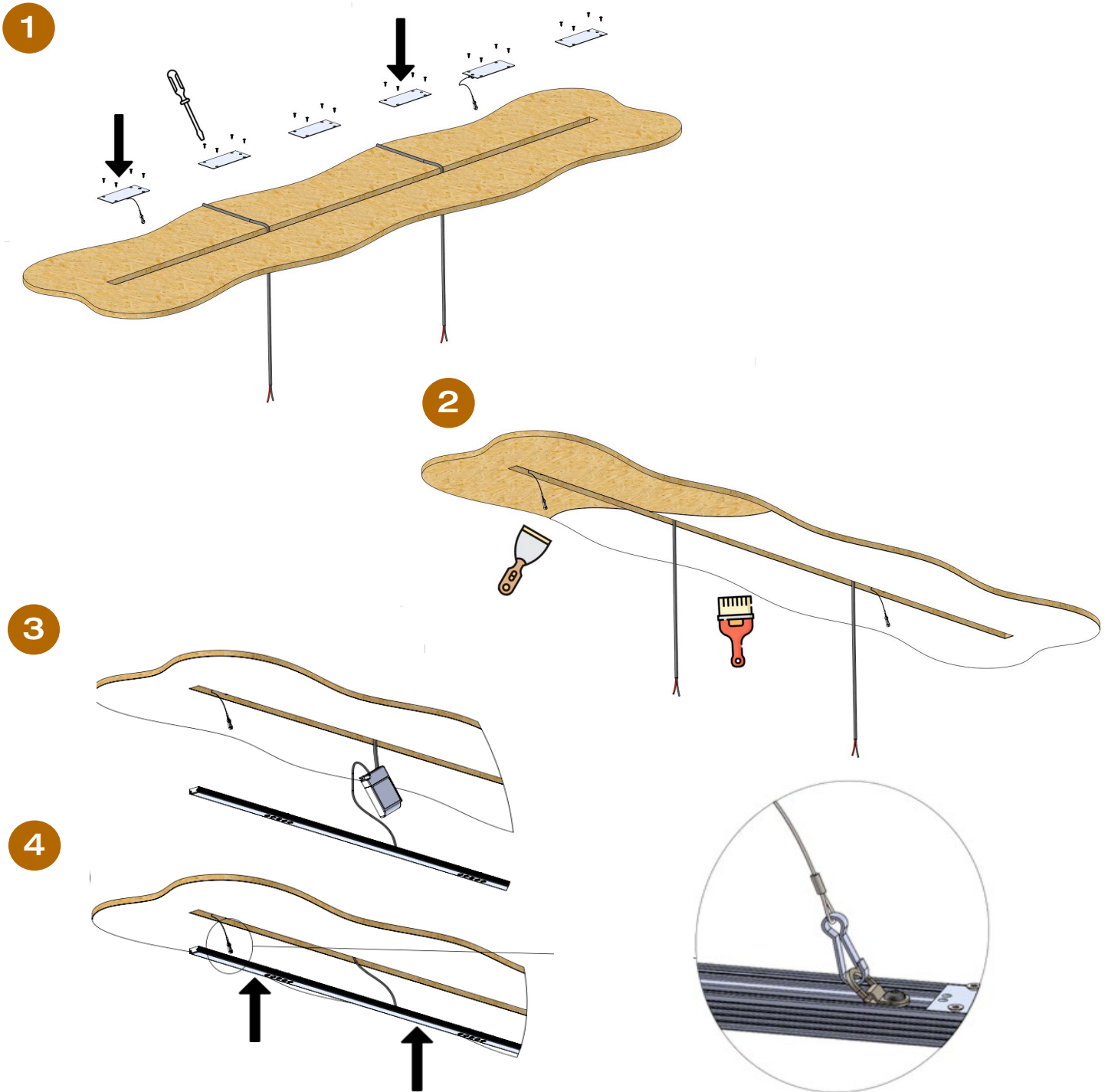
All the connections have to be made before powering up, otherwise the luminaires could be seriously damaged.



# PIANO TRIMLESS SUR-MESURE

## Dimensions & Installation guide

Installation in wood ceiling with metal plate and metal suspension slings



All the connections have to be made before powering up, otherwise the luminaires could be seriously damaged.

LOUSS

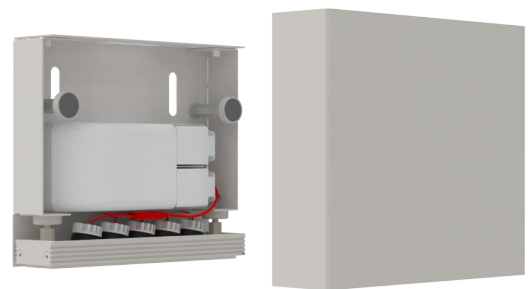
Creation : 2020.12.14 / Last update : 2026.05.13 - R

9/18

BEST SAS, Capital 200 000€  
RCS Dijon B 408 483 485  
TVA/VAT n° : FR94 408 483 485  
APE 2612Z

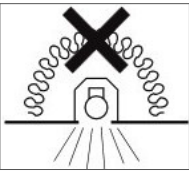
Tel. : +33 380 48 65 68  
contact@louss.fr  
www.louss.fr  
Best & LOUSS

Siège social / Head Office  
PA Les Terres d'Or  
Route de Saint Philibert  
21220 Gevrey Chambertin - FRANCE



## PIANO

### Trimless Built-in Driver

<b>Range</b>	Decorative linear LED light low luminance for accent & ambient lighting
<b>Description</b>	<p>Aluminum profile + driver box 152x36x130mm            2 fixing slots at the back + 2 fixing holes on top            Cable exit on top            Removable front cover            Paint finish, according to requested RAL</p> <p>LEDs with black low luminance tubes:</p> <ul style="list-style-type: none"> <li>• Straight</li> <li>• Tilted 7°</li> <li>• Tilted 10°</li> <li>• Tilted 12°</li> </ul>
<b>LED characteristics</b>	2700K – 3000K – 3500K – 4000K (other upon request) CRI 92 R9 > 80 3 SDCM
<b>Optical beams</b>	16° - 21° - 28° - 38° - 40° - 50° (UGR < 14) - 65
<b>Connection</b>	Supplied with 0.5m cable
<b>Power supply</b>	Built-in constant current driver 700mA max Optional: DALI driver
<b>Power</b>	10W
<b>Electrical class</b>	II
<b>Use limitations</b>	<p>The product must be installed into a ventilated area            This product must not be covered by insulating material            Any use with an ambient temperature higher than the specified ambient temperature (Ta) would lead to a more rapid mortality of the product and the withdrawal of our guarantees            The drivers, if not delivered by LOuss, must be approved before use</p> 
<b>Warranty</b>	<p>Life span: L80-B10 = 35,000 hours (80% remaining flux) at 30°C ambient temperature            The warranty applies to components and fabrication supplied by Louss            The warranty does not apply to products that have been opened, modified or repaired and does not cover the effects of a wrong connection, careless, abusive handling, overvoltage, lighting injury, as well as the normal wear of the product            All products are electrically tested and receive a functional burn-in</p>

All the connections have to be made before powering up,  
 otherwise the luminaires could be seriously damaged.

LOuss

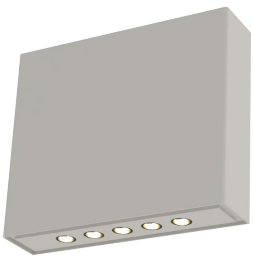
Creation : 2020.12.14 / Last update : 2026.05.13 - R

10/18

BEST SAS, Capital 200 000€  
 RCS Dijon B 408 483 485  
 TVA/VAT n° : FR94 408 483 485  
 APE 2612Z

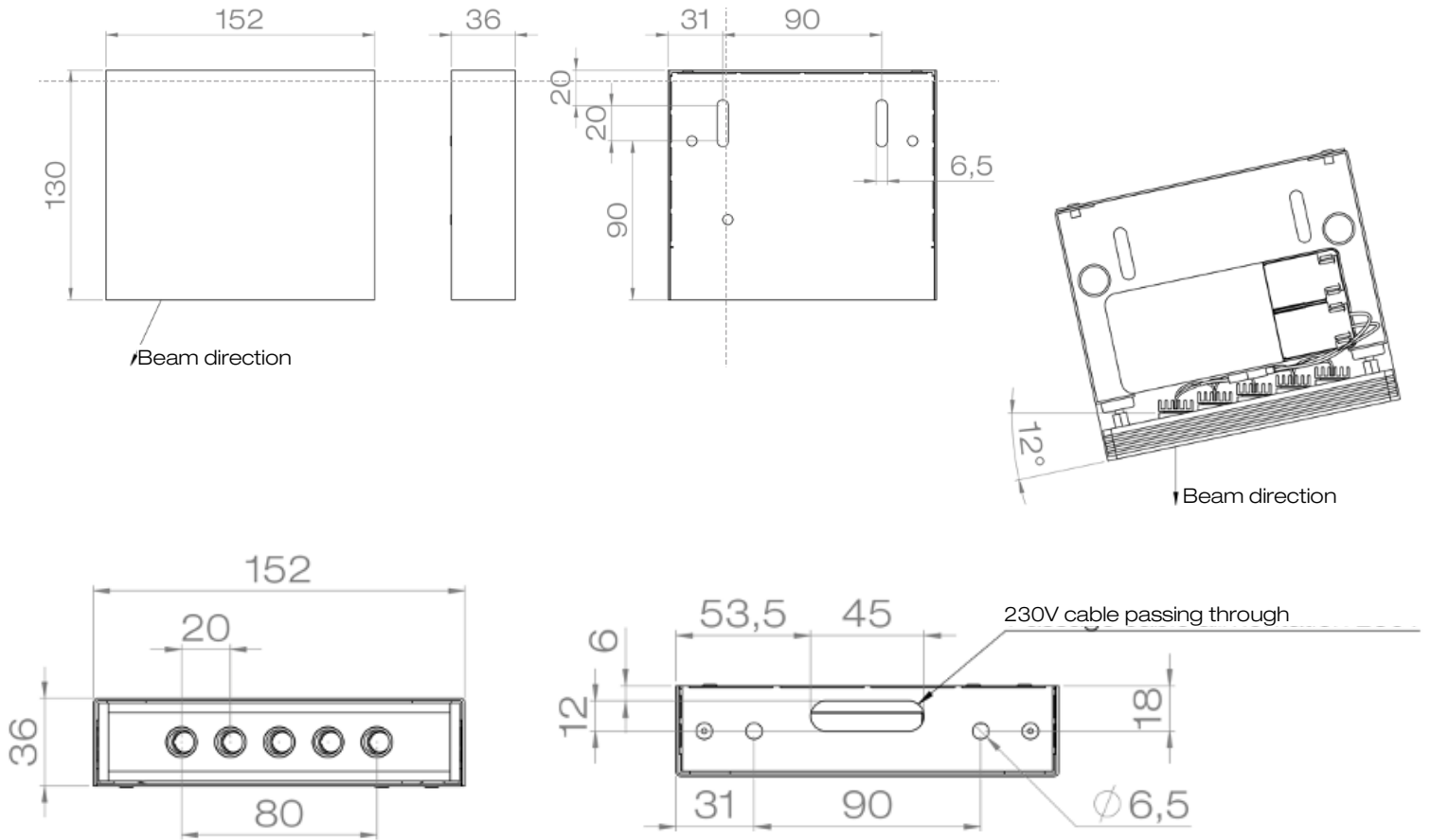
Tel. : +33 380 48 65 68  
 contact@louss.fr  
[www.louss.fr](http://www.louss.fr)  
 Best & LOuss

Siège social / Head Office  
 PA Les Terres d'Or  
 Route de Saint Philibert  
 21220 Gevrey Chambertin - FRANCE

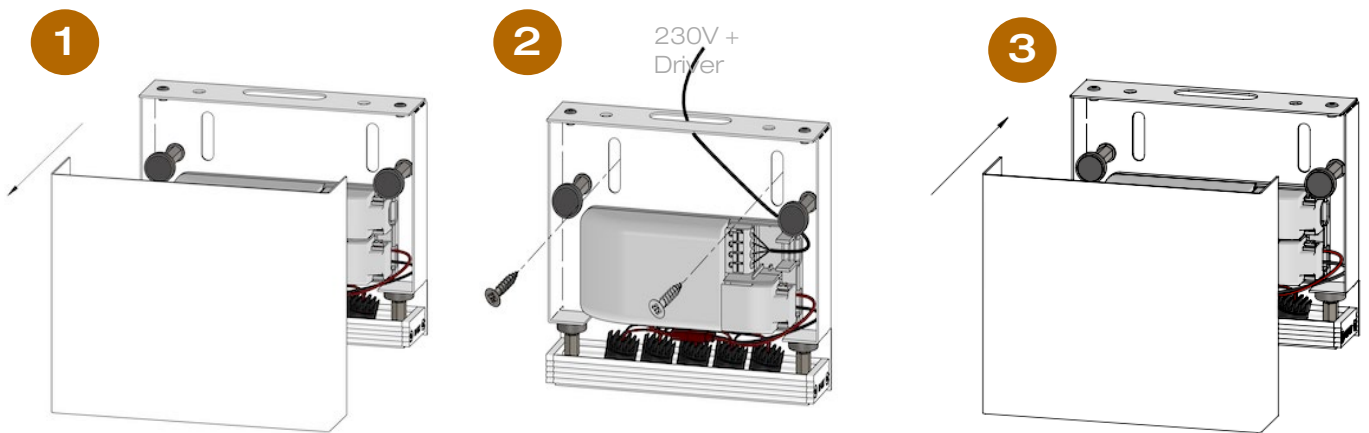


# PIANO TRIMLESS DRIVER INTÉGRÉ

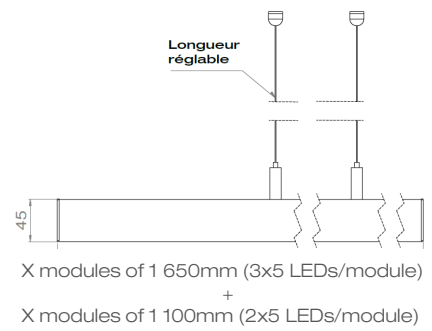
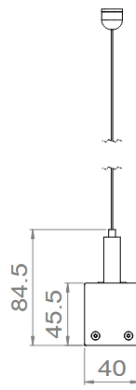
## Dimensions & Installation guide



## Installation guide



All the connections have to be made before powering up, otherwise the luminaires could be seriously damaged.



## PIANO SUSPENSION

<b>Gamme</b>	LED chandelier
<b>Description</b>	<p>Aluminum profile 40x45.5mm</p> <p>LEDs with black low luminance tubes:</p> <ul style="list-style-type: none"> <li>• Straight</li> <li>• Tilted 7°</li> <li>• Tilted 10°</li> <li>• Tilted 15°</li> </ul> <p>Length 1650mm : 3x5 LED Length 1100mm : 2x5 LED</p> <p>Paint finish according to requested RAL</p> <p>Suspended by steel adjustable rope</p>
<b>LED characteristics</b>	<p>2700K – 3000K – 3500K – 4000K (other upon request)</p> <p>CRI 92 R9 &gt; 80</p> <p>3 SDCM</p>
<b>Optical beams</b>	16° - 21° - 28° - 38° - 40° - 50° (UGR < 14) - 65° - Elliptical 16°x40°
<b>Connection</b>	Connection with supplied transparent cable
<b>Power supply</b>	<p>48V constant voltage remote power supply</p> <p>Optional: DALI driver</p>
<b>Power</b>	10W per module of 5 LEDs
<b>Electrical class</b>	III
<b>Use limitations</b>	<p>The product must be installed into a ventilated area</p> <p>Any use with an ambient temperature higher than the specified ambient temperature (Ta) would lead to a more rapid mortality of the product and the withdrawal of our guarantees</p> <p>The drivers, if not delivered by LOuss, must be approved before use</p>
<b>Warranty</b>	<p>Life span: L80-B10 = 35,000 hours (80% remaining flux) at 30°C ambient temperature</p> <p>The warranty applies to components and fabrication supplied by Louss</p> <p>The warranty does not apply to products that have been opened, modified or repaired and does not cover the effects of a wrong connection, careless, abusive handling, overvoltage, lighting injury, as well as the normal wear of the product</p> <p>All products are electrically tested and receive a functional burn-in</p>

All the connections have to be made before powering up, otherwise the luminaires could be seriously damaged.

LOuss

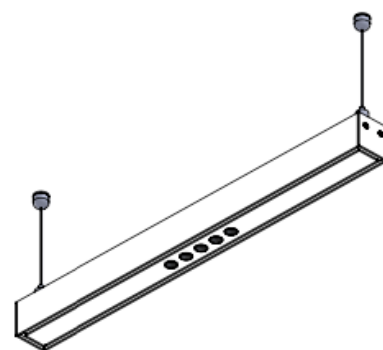
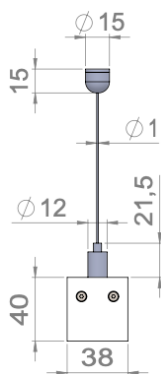
Creation : 2020.12.14 / Last update : 2026.05.13 - R

12/18

BEST SAS, Capital 200 000€  
RCS Dijon B 408 483 485  
TVA/VAT n° : FR94 408 483 485  
APE 2612Z

Tel. : +33 380 48 65 68  
contact@louss.fr  
[www.louss.fr](http://www.louss.fr)  
Best & LOuss

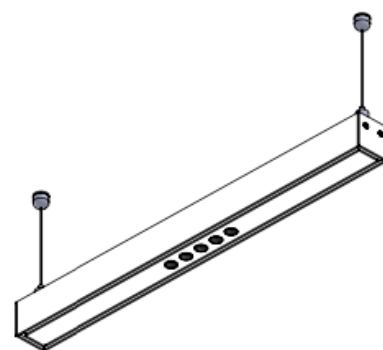
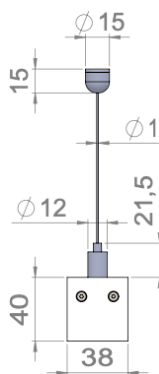
Siège social / Head Office  
PA Les Terres d'Or  
Route de Saint Philibert  
21220 Gevrey Chambertin - FRANCE



## PIANO SUSPENSION SLIM / PIANO SUSPENSION SLIM TWIN

<b>Range</b>	LED chandelier	
<b>Description</b>	Aluminum profile : 38x40mm Lengths : 460mm - 830mm - 1200mm - 1630mm - 2370mm Paint finish according to requested RAL Suspended by steel adjustable rope	
<b>LED characteristics</b>	<b>Direct lighting</b> LED spotlights with low luminance black tubes: . Straight . Tilted 7° . Tilted 10° . Tilted 15°  2700K - 3000K - 3500K - 4000K (other upon request) CRI 92 R9 > 80 3 SDCM Length 460mm : 1 x 5 spots max Length 830mm : 2 x 5 spots max Length 1200mm : 2 x 5 spots max Length 1630mm : 2 x 5 spots max Length 2370mm : 4 x 5 spots max	<b>Indirect lighting (Slim Twin version)</b> LED engines  2700K - 3000K - 3500K - 4000K (other upon request) CRI 90 R9 > 50 / IRC 95 R9 > 80 3 SDCM Length 460mm : 1 x 410mm Length 830mm : 1 x 780mm Length 1200mm : 1 x 1150mm Length 1630mm : 2 x 780mm Length 2370mm : 2 x 1150mm
<b>Optical beams</b>	<b>Indirect lighting (Slim &amp; Slim Twin versions)</b> 16° - 21° - 28° - 38° - 40° - 50° (UGR < 14) 65° - Elliptical 16°x40°	<b>Indirect lighting (Slim Twin version)</b> 40° - 60° - 90° - Batwing - Asymmetrical - Double asymmetrical
<b>Connection</b>	Connection with supplied transparent cable	
<b>Power supply</b>	<b>Slim &amp; Slim Twin versions with simultaneous direct/indirect lighting</b> 48V constant voltage driver Supplied with 2-conductors transparent cable	<b>Slim Twin with differentiated direct &amp; indirect lightings</b> Direct lighting: Constant current driver 700mA max  Indirect lighting: 48V constant voltage driver Supplied with 4-conductors transparent cable

All the connections have to be made before powering up, otherwise the luminaires could be seriously damaged.



## PIANO SUSPENSION SLIM / PIANO SUSPENSION SLIM TWIN

<b>Power</b>	<b>Direct Lighting</b>	<b>Indirect Lighting</b>
	Length 460mm : 10W max Length 830mm : 20W max Length 1200mm : 20W max Length 1630mm : 20W max Length 2370mm : 40W max	Length 460mm : 6W max Length 830mm : 11W max Length 1200mm : 17W max Length 1630mm : 22W max Length 2370mm : 34W max
<b>Electrical class</b>	III	
<b>Use limitations</b>	<p>The product must be installed into a ventilated area</p> <p>Any use with an ambient temperature higher than the specified ambient temperature (Ta) would lead to a more rapid mortality of the product and the withdrawal of our guarantees</p> <p>The drivers, if not delivered by LOuss, must be approved before use</p>	
<b>Warranty</b>	<p>Life span: L80-B10 = 35,000 hours (80% remaining flux) at 30°C ambient temperature</p> <p>The warranty applies to components and fabrication supplied by Louss</p> <p>The warranty does not apply to products that have been opened, modified or repaired and does not cover the effects of a wrong connection, careless, abusive handling, overvoltage, lighting injury, as well as the normal wear of the product</p> <p>All products are electrically tested and receive a functional burn-in</p>	

All the connections have to be made before powering up, otherwise the luminaires could be seriously damaged.

LOuss

Creation : 2020.12.14 / Last update : 2026.05.13 - R

14/18

BEST SAS, Capital 200 000€  
 RCS Dijon B 408 483 485  
 TVA/VAT n° : FR94 408 483 485  
 APE 2612Z

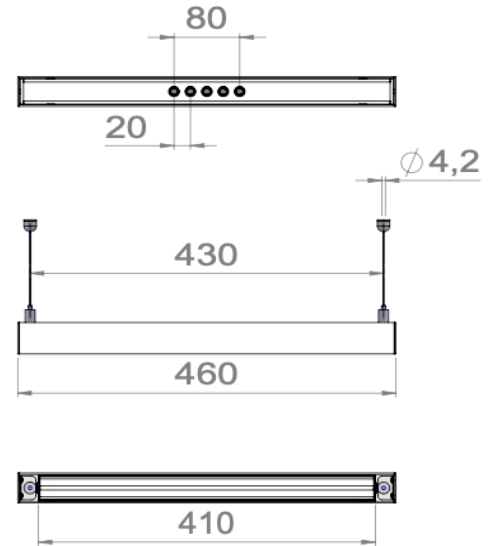
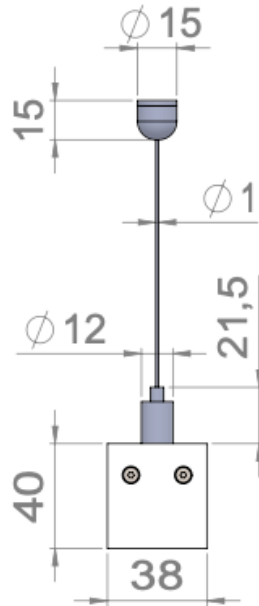
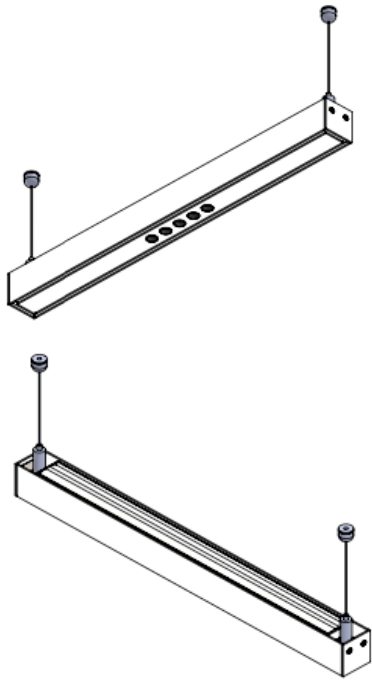
Tel. : +33 380 48 65 68  
 contact@louss.fr  
 www.louss.fr  
 Best & LOuss

Siège social / Head Office  
 PA Les Terres d'Or  
 Route de Saint Philibert  
 21220 Gevrey Chambertin - FRANCE



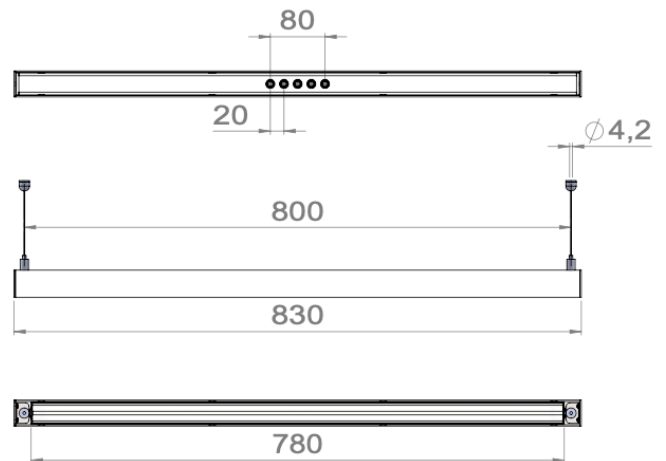
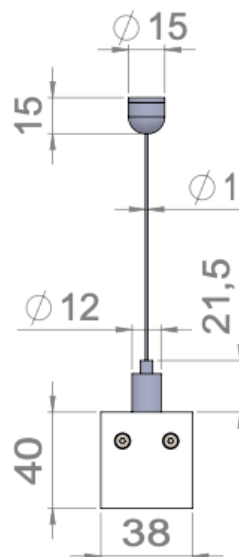
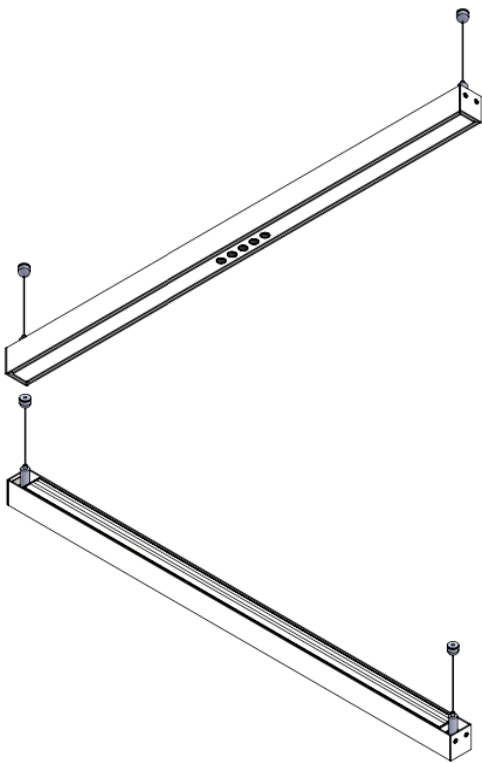
## PIANO SUSPENSION SLIM / SLIM TWIN

Length details 460mm



## PIANO SUSPENSION SLIM / SLIM TWIN

Length details 830mm

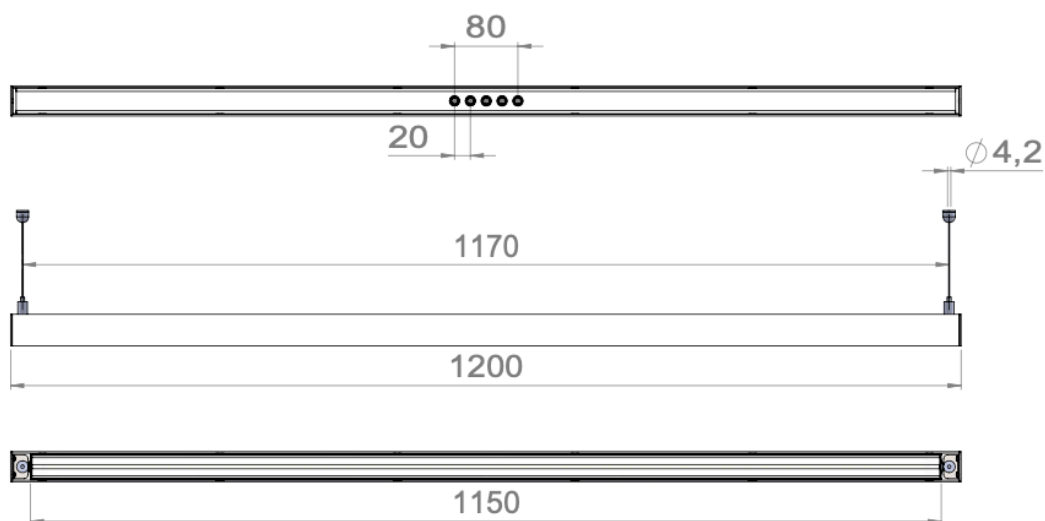
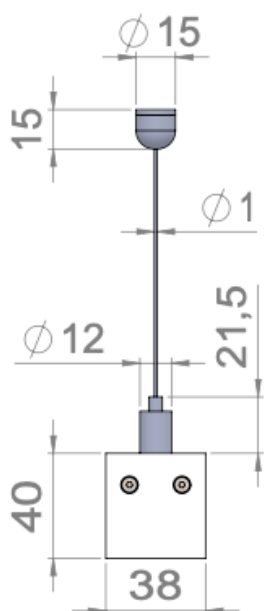
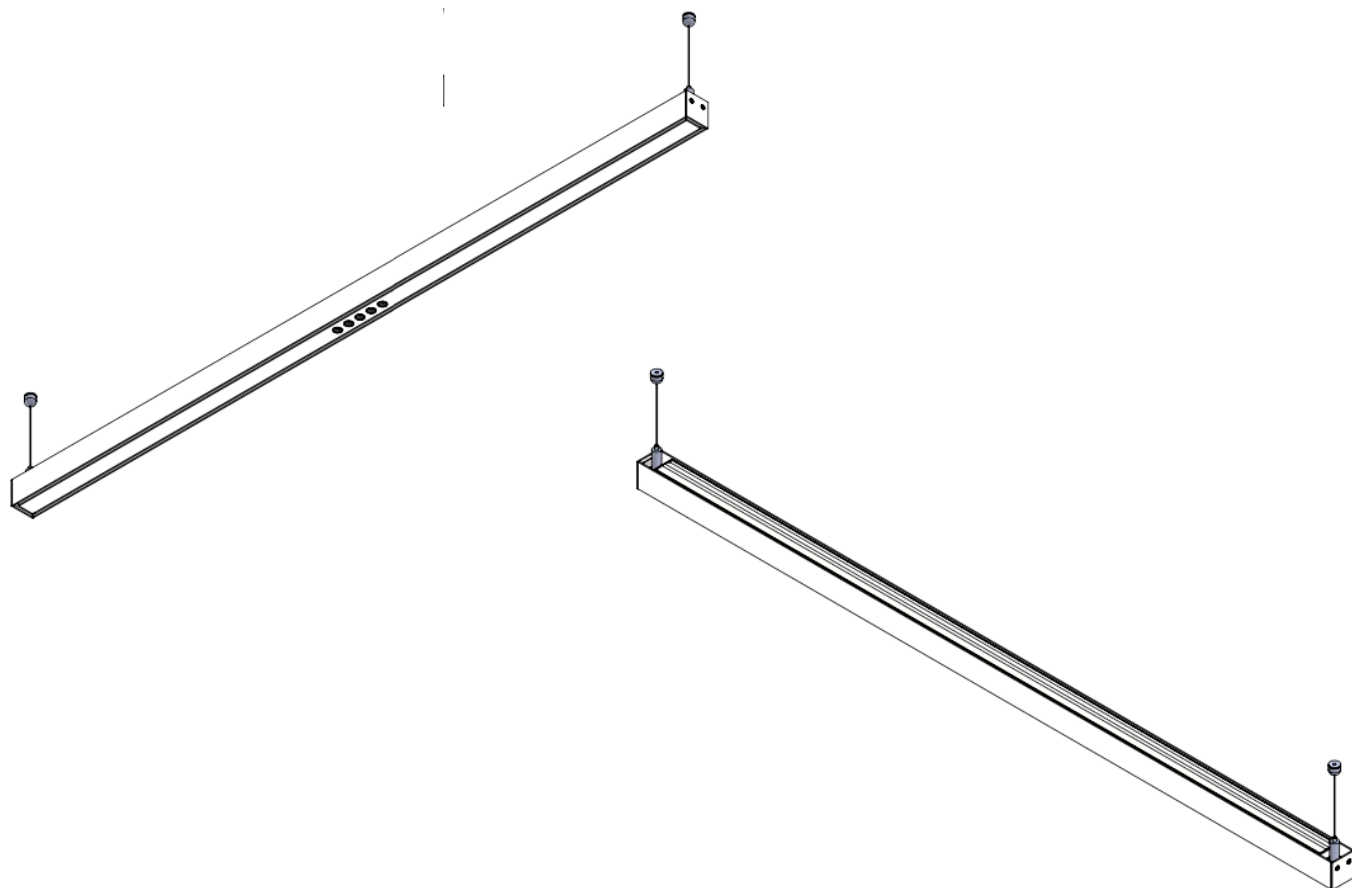


All the connections have to be made before powering up,  
otherwise the luminaires could be seriously damaged.



# PIANO SUSPENSION SLIM / SLIM TWIN

Length details 1200mm



All the connections have to be made before powering up,  
otherwise the luminaires could be seriously damaged.

Creation : 2020.12.14 / Last update : 2026.05.13 - R

16/18

LOUSS

BEST SAS, Capital 200 000€  
RCS Dijon B 408 483 485  
TVA/VAT n° : FR94 408 483 485  
APE 2612Z

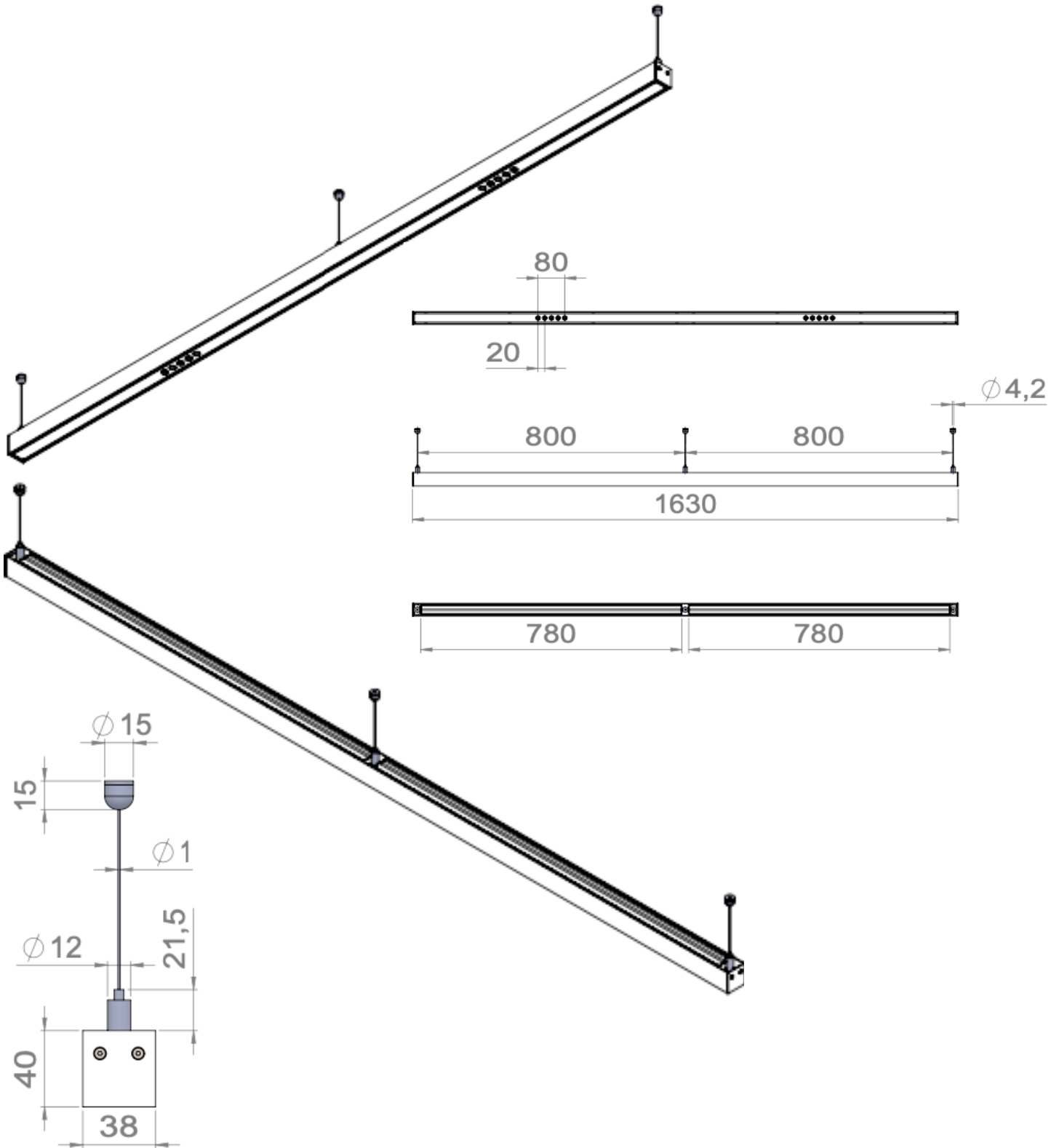
Tel. : +33 380 48 65 68  
contact@louss.fr  
www.louss.fr  
Best & LOUSS

Siège social / Head Office  
PA Les Terres d'Or  
Route de Saint Philibert  
21220 Gevrey Chambertin - FRANCE



# PIANO SUSPENSION SLIM / SLIM TWIN

Length details 1630mm



All the connections have to be made before powering up, otherwise the luminaires could be seriously damaged.

LOUSS

Creation : 2020.12.14 / Last update : 2026.05.13 - R

17/18

BEST SAS, Capital 200 000€  
RCS Dijon B 408 483 485  
TVA/VAT n° : FR94 408 483 485  
APE 2612Z

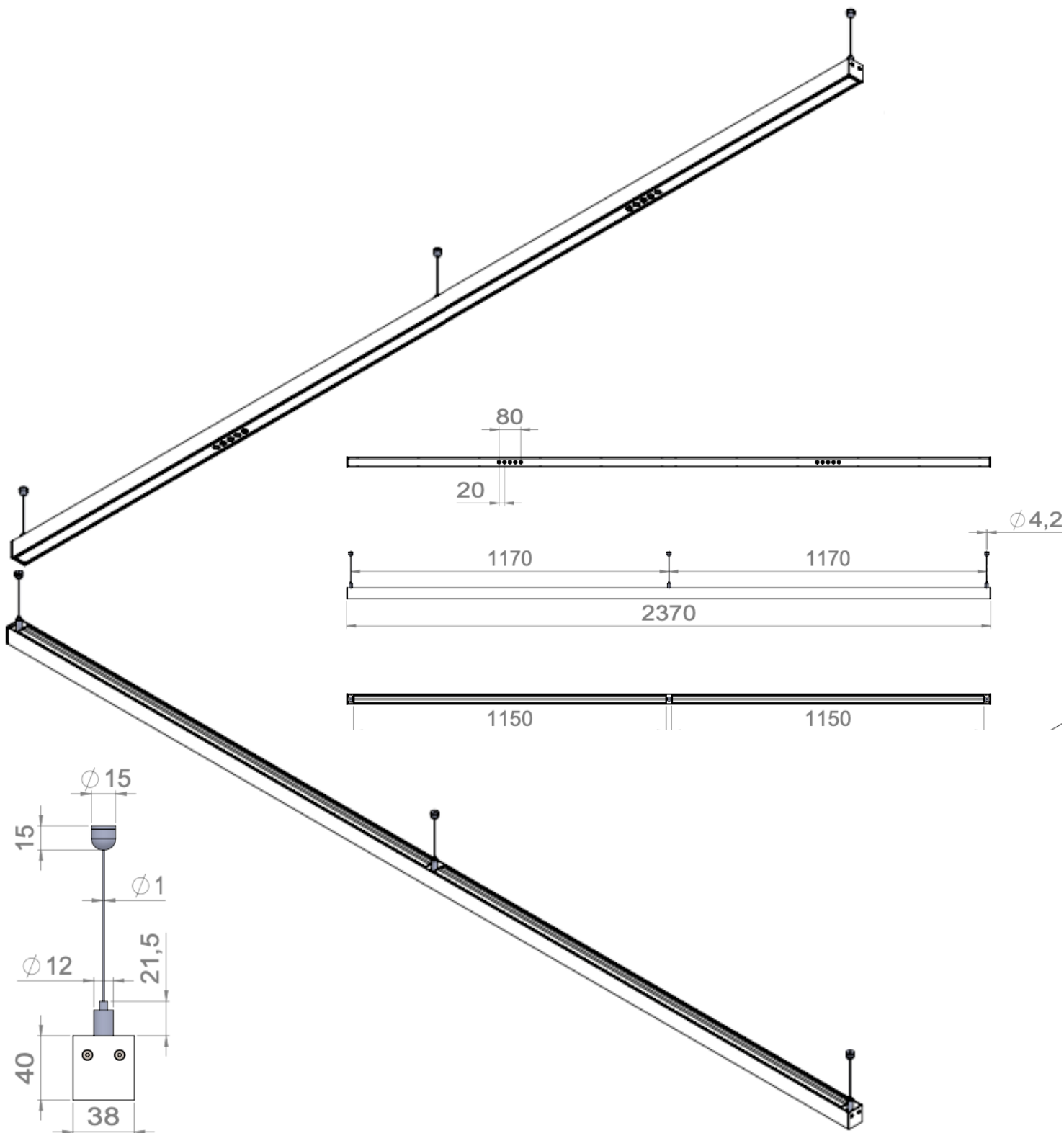
Tel. : +33 380 48 65 68  
contact@louss.fr  
[www.louss.fr](http://www.louss.fr)  
Best & LOUSS

Siège social / Head Office  
PA Les Terres d'Or  
Route de Saint Philibert  
21220 Gevrey Chambertin - FRANCE



# PIANO SUSPENSION SLIM / SLIM TWIN

Length details 2370mm



All the connections have to be made before powering up,  
otherwise the luminaires could be seriously damaged.

LOUSS

Creation : 2020.12.14 / Last update : 2026.05.13 - R

18/18

BEST SAS, Capital 200 000€  
RCS Dijon B 408 483 485  
TVA/VAT n° : FR94 408 483 485  
APE 2612Z

Tel. : +33 380 48 65 68  
contact@louss.fr  
[www.louss.fr](http://www.louss.fr)  
Best & LOUSS

Siège social / Head Office  
PA Les Terres d'Or  
Route de Saint Philibert  
21220 Gevrey Chambertin - FRANCE