

LOUSS

Lighting Emotion



OCTO
The industrial-looking luminaire



OCTO • OCTO Suspension

Range	Powerful high bay luminaire for general lighting
Description	Body in aluminum Optics 45mm diameter Octo : Equipped with magnets and fixing brackets Octo Suspension : Equipped with hanging cables
Finishing	Raw aluminium finish (other upon request)
Dimensions	Length : 800mm Width : 106mm Height : 100mm (without fixing device) Fixing bracket height : 100mm Hanging cable length : 1,500mm max.
Net weight	4.2 kg
LED characteristics	2700K - 3000K - 3500K - 4000K - 5000K (other upon request) MacAdam ellipse : 3 SDCM (standard version) - 2 SDCM (premium version) CRI90 (standard version) - CRI 95, R9 > 90 (premium version)
Optical beam	15° - 20° - 25° - 30° - 35° UGR < 15
Luminous flux	LED Engine 600 to 2,000 lm according to version
Connection	Supplied with 0.50m cable (more length upon request)
LED power	100W at 350mA max.
Power supply	350mA remote constant current driver For the US & Canada use a UL class 2 driver
Use limitations	The product must be installed in a ventilated area Any use with an ambient temperature higher than the specified ambient temperature (Ta) would lead to a more rapid mortality of the product and the withdrawal of our guarantees The drivers, if not delivered by LOuss, must be approved before use
Warranty	Life span : L80B10 at 50,000 hours (80% remaining flux) at 25°C ambient temperature 3-year parts and labor warranty The warranty does not apply to products that have been opened, modified or repaired and does not cover the effects of a wrong connection, careless, abusive handling, overvoltage, lightning injury, as well as the normal wear of the product All products are electrically tested and received a functional burn-in

All the connections have to be made before powering up,
otherwise the luminaires could be seriously damaged

Creation : 2025.01.24 / Last update : 2025.08.06

2/3

LOuss

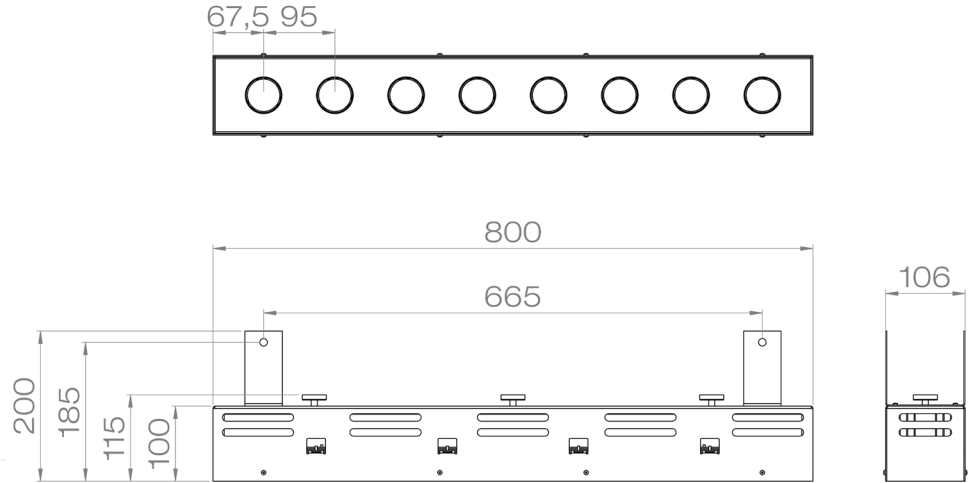
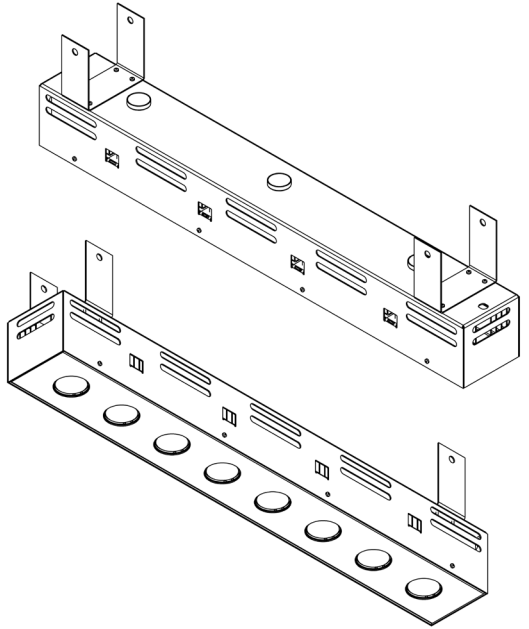
BEST SAS, Capital 200 000€
RCS Dijon B 408 483 485
TVA/VAT n° : FR94 408 483 485
APE 2612Z

Tel. : +33 380 48 65 68
contact@louss.fr
www.louss.fr
Best & LOuss

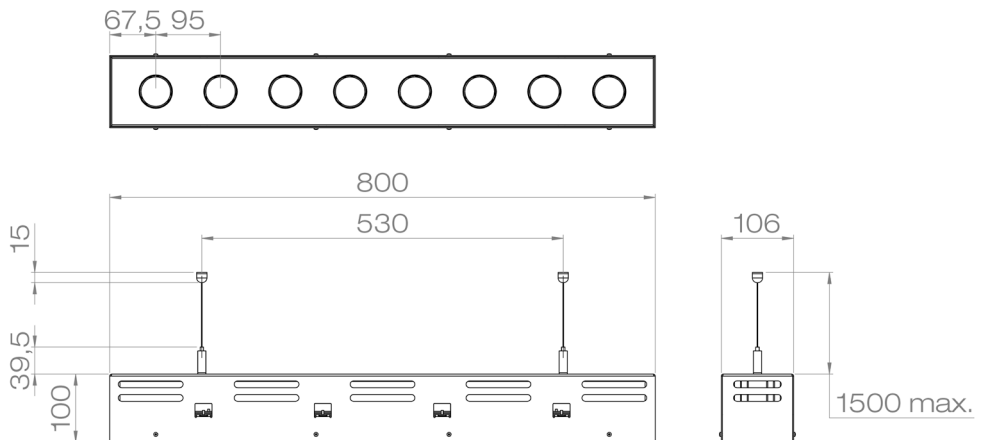
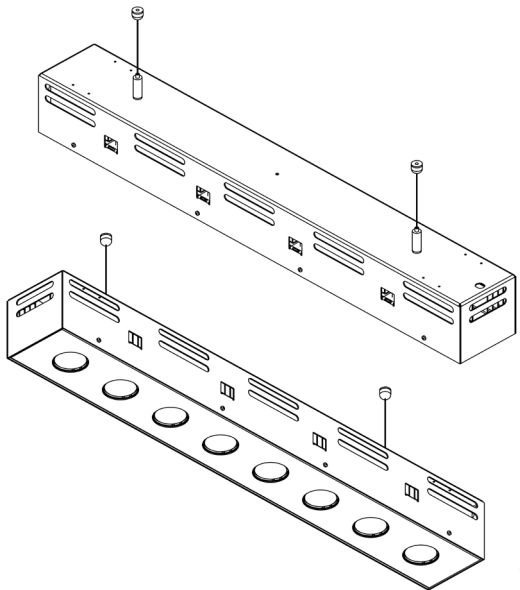
Siège social / Head Office
PA Les Terres d'Or
Route de Saint Philibert
21220 Gevrey Chambertin - FRANCE



OCTO



OCTO SUSPENSION



All the connections have to be made before powering up,
otherwise the luminaires could be seriously damaged

Creation : 2025.01.24 / Last update : 2025.08.06

3/3

LOUSS

BEST SAS, Capital 200 000€
RCS Dijon B 408 483 485
TVA/VAT n° : FR94 408 483 485
APE 2612Z

Tel. : +33 380 48 65 68
contact@louss.fr
www.louss.fr
Best & LOUSS

Siège social / Head Office
PA Les Terres d'Or
Route de Saint Philibert
21220 Gevrey Chambertin - FRANCE