

# LOUSS

Lighting Emotion



**SCAPINI**

*Designed by Benoit LALLOZ*





## SCAPINI S3

## SCAPINI S4

<b>Range</b>	<b>Scapini S3</b>	<b>Scapini S4</b>
	Spotlight for accent lighting	Spotlight for ambient lighting
<b>Description</b>	Black or natural anodized aluminum body Directional bracket	
<b>Dimensions &amp; Weight</b>	<b>Scapini S3</b>	<b>Scapini S4</b>
	Spotlight length : 237mm Spotlight width : 140mm	Spotlight length : 325mm Spotlight width : 200mm Bracket width : 150mm
	6.6 kg	xxx kg
<b>LED characteristics</b>	<b>Scapini S3</b>	<b>Scapini S4</b>
	6 LEDs : 3000K – 4000K (other upon request)	18 LEDs : 3000K – 4000K (other upon request)
<b>Optical beams</b>	6° - 15° - 35° (other upon request)	
<b>Connection</b>	Supplied with 0.5m cable (more length upon request) 230V direct connection	
<b>Integrated Power supply</b>	230 Vac For the US & Canada, use UL class 2 driver	
<b>Power</b>	<b>Scapini S3</b>	<b>Scapini S4</b>
	15W max.	50W max.
<b>Use limitations</b>	The product must be installed into a ventilated area. Any use with an ambient temperature higher than the specified ambient temperature (Ta) would lead to a more rapid mortality of the product and the withdrawal of our guarantees The drivers, if not delivered by LOuss, must be approved before use	
<b>Warranty</b>	Life span: L80B10 at 50,000 hours (80% remaining flux) at 25°C ambient temperature. 3-year parts and labor warranty The warranty does not apply to products that have been opened, modified or repaired and does not cover the effects of a wrong connection, careless, abusive handling, overvoltage, lighting injury, as well as the normal wear of the product All products are electrically tested and received a functional burn-in	

All the connections have to be made before powering up,  
otherwise the luminaires could be seriously damaged.

Creation : 2018.09.20 / Last update : 2025.07.01

LOuss

BEST SAS, Capital 200 000€  
RCS Dijon B 408 483 485  
TVA/VAT n° : FR94 408 483 485  
APE 2612Z

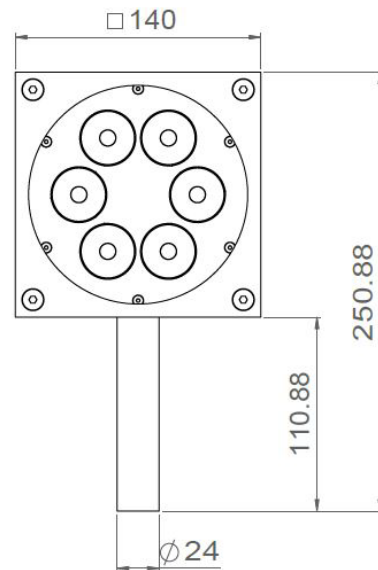
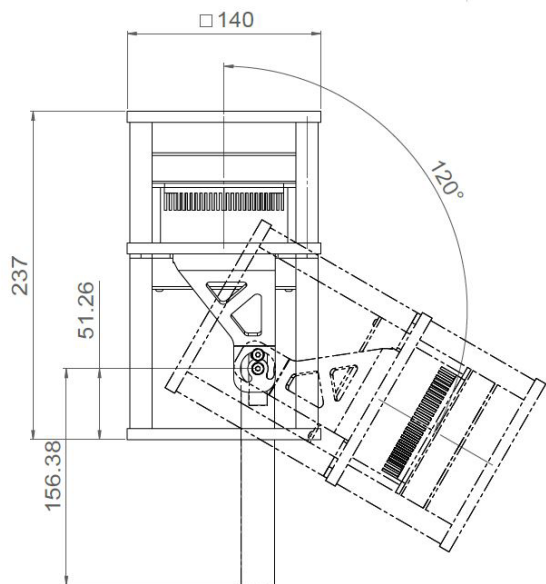
Tel. : +33 380 48 65 68  
contact@louss.fr  
www.louss.fr  
Best & LOuss

Siège social / Head Office  
PA Les Terres d'Or  
Route de Saint Philibert  
21220 Gevrey Chambertin - FRANCE

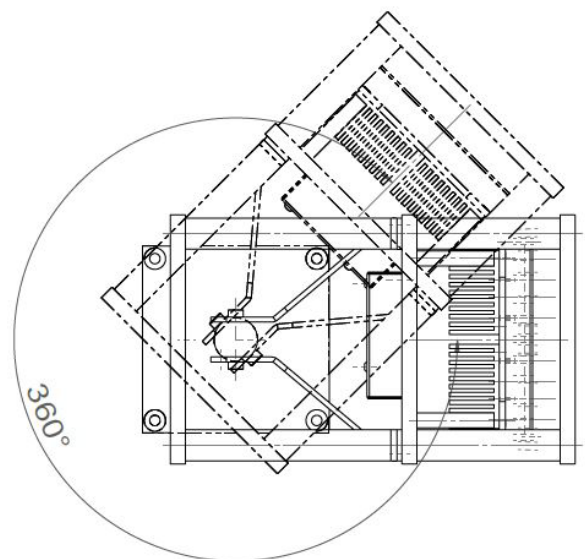
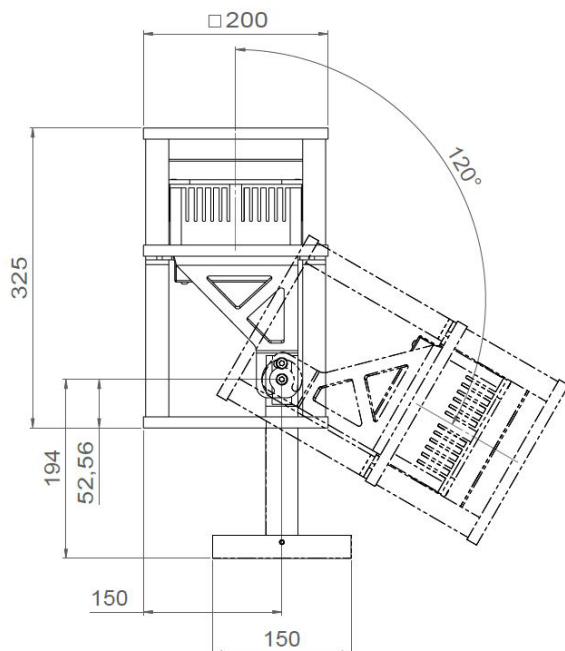
2/3



## SCAPINI S3



## SCAPINI S4



All the connections have to be made before powering up,  
otherwise the luminaires could be seriously damaged.

Creation : 2018.09.20 / Last update : 2025.07.01

LOUSS

BEST SAS, Capital 200 000€  
RCS Dijon B 408 483 485  
TVA/VAT n° : FR94 408 483 485  
APE 2612Z

Tel. : +33 380 48 65 68  
contact@louss.fr  
[www.louss.fr](http://www.louss.fr)  
Best & LOUSS

Siège social / Head Office  
PA Les Terres d'Or  
Route de Saint Philibert  
21220 Gevrey Chambertin - FRANCE