

Wouss

Lighting Emotion

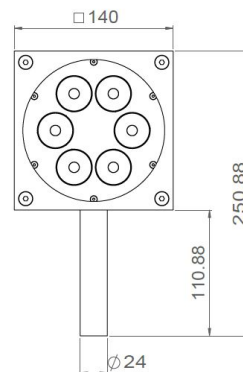
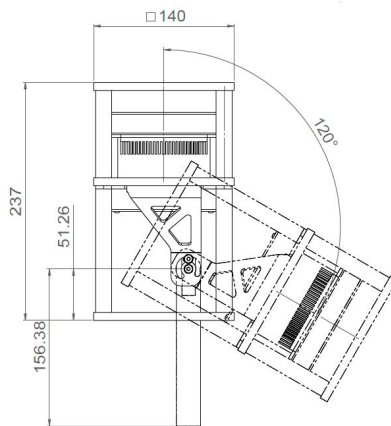


SCAPINI S3

Designed by Benoit LALLOZ

*The spotlight with assertive design
Large model*





SCAPINI S3

Range	Spotlight for ambient lighting Designed by Benoit Lalloz
Description	Body in anodised aluminium (natural or black) Directional bracket
Dimensions	See dimensional drawing
Net Weight	6.6 kg
LED characteristics	6 LED : 3000K – 4000K (other LED colours upon request)
Optical beam	6° - 15° - 35° (other optical beam upon request)
Connection	Delivered with 1m standard cable (more length upon request) Direct connection: 230V
Integrated power supply	230 Vac
LED power	15W
Use limitations	The product must be installed into a ventilated area. Any use with an ambient temperature higher than the specified ambient temperature (Ta) would lead to a more rapid mortality of the product and the withdrawal of our guarantees. The drivers, if not delivered by LOuss, must be approved before use.
Warranty	Life span: L80B10 at 50,000 hours (80% remaining flux) at 25°C ambient temperature. 3-year parts and labour warranty. The warranty does not apply to products that have been opened, modified or repaired and does not cover the effects of a wrong connection, careless, abusive handling, overvoltage, lighting injury, as well as the normal wear of the product. All products are electrically tested and received a functional burn-in.

All the connections have to be made before powering up, otherwise the luminaires could be seriously damaged.

LOuss

Last update : 20/09/2018

Firalux & LOuss brands

SARL, Capital 40 000€
RCS DIJON B 503 367 245
TVA/VAT n°: FR24 503 367 245
APE 4676Z

Tel. : +33 380 48 65 68
contact@louss.fr
www.louss.fr
Best group

Siège social / Head Office
PA Les Terres d'Or
Route de Saint Philibert
21220 Gevrey Chambertin - FRANCE