

LOUSS

Lighting Emotion



Scapini S0



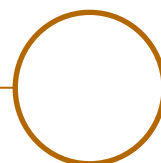
Scapini S1

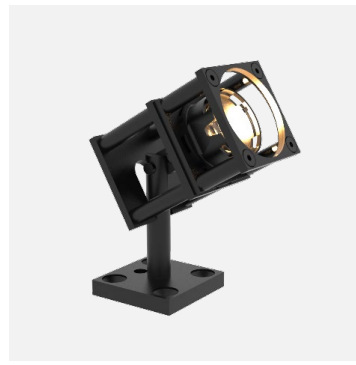


Scapini S2

SCAPINI

Designed by Benoit LALLOZ





SCAPINI S0

SCAPINI S1

SCAPINI S2

Range	Spotlight for accent lighting Designed by Benoit Laloz		
Description	Black or natural anodized aluminum body Directional bracket		
Dimensions	Scapini S0	Scapini S1	Scapini S2
	Spotlight length : 24mm Spotlight width : 14.2mm Bracket width : 18mm	Spotlight length : 37.6mm Spotlight width : 24mm Bracket width : 24mm	Spotlight length : 90.75mm Spotlight width : 49.5mm Bracket width : 48mm
Net weight	0.012 kg	0.029 kg	0.266 kg
LED characteristics	2700K – 3000K – 4000K (other upon request)		
Optical beams	15° - 25° - 30° - 40° - 50° - 60° - 80° (other upon request)		
Connection	Supplied with 0.5m cable (more length upon request) Individual or series connection on external driver		
Power supply	External constant current driver 500mA max. For the US & Canada, use UL class 2 driver		
Power	Scapini S0 / Scapini S1		Scapini S2
	350mA : 1.2W 500mA : 1.8W		350mA : 4.8W 500mA : 7.2W
Use limitations	The product must be installed into a ventilated area Any use with an ambient temperature higher than the specified ambient temperature (Ta) would lead to a more rapid mortality of the product and the withdrawal of our guarantees. The drivers, if not delivered by LOuss, must be approved before use		
Warranty	Life span: L80B10 at 50,000 hours (80% remaining flux) at 25°C ambient temperature. 3-year parts and labor warranty The warranty does not apply to products that have been opened, modified or repaired and does not cover the effects of a wrong connection, careless, abusive handling, overvoltage, lighting injury, as well as the normal wear of the product All products are electrically tested and received a functional burn-in		

All the connections have to be made before powering up, otherwise the luminaires could be seriously damaged.

Creation : 2018.09.20 / Last update : 2025.07.01

LOuss

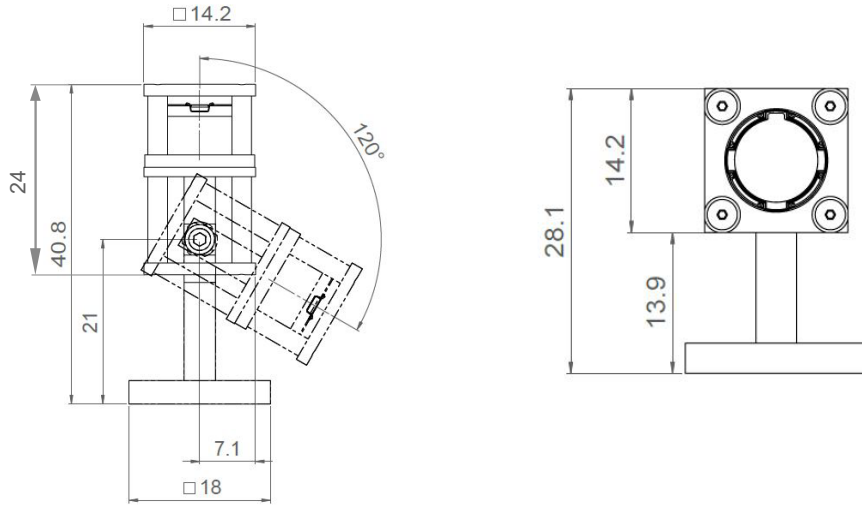
BEST SAS, Capital 200 000€
RCS Dijon B 408 483 485
TVA/VAT n° : FR94 408 483 485
APE 2612Z

Tel. : +33 380 48 65 68
contact@louss.fr
www.louss.fr
Best & LOuss

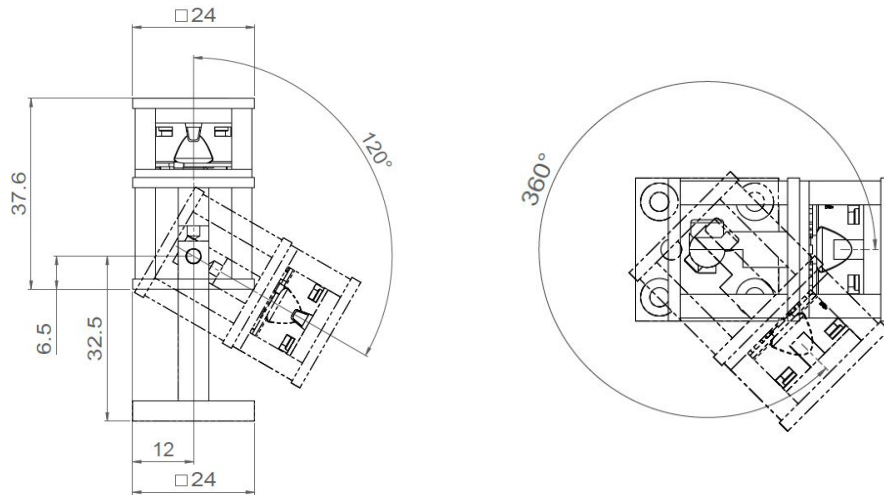
Siège social / Head Office
PA Les Terres d'Or
Route de Saint Philibert
21220 Gevrey Chambertin - FRANCE



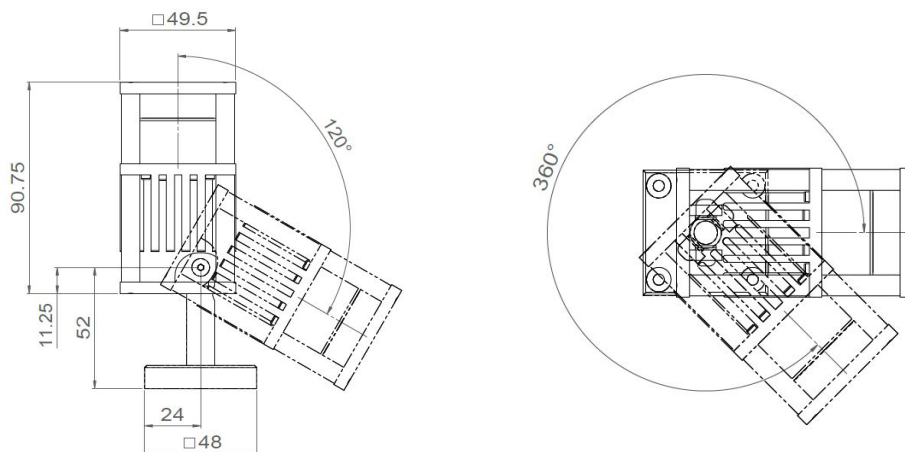
SCAPINI S0



SCAPINI S1



SCAPINI S2



All the connections have to be made before powering up,
otherwise the luminaires could be seriously damaged.

Creation : 2018.09.20 / Last update : 2025.07.01

LOUSS

BEST SAS, Capital 200 000€
RCS Dijon B 408 483 485
TVA/VAT n° : FR94 408 483 485
APE 2612Z

Tel. : +33 380 48 65 68
contact@louss.fr
www.louss.fr
Best & LOUSS

Siège social / Head Office
PA Les Terres d'Or
Route de Saint Philibert
21220 Gevrey Chambertin - FRANCE