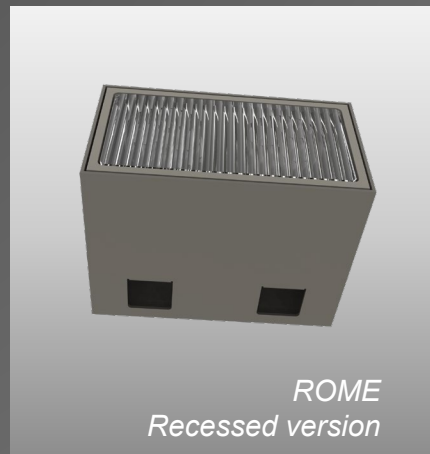


ROME Range



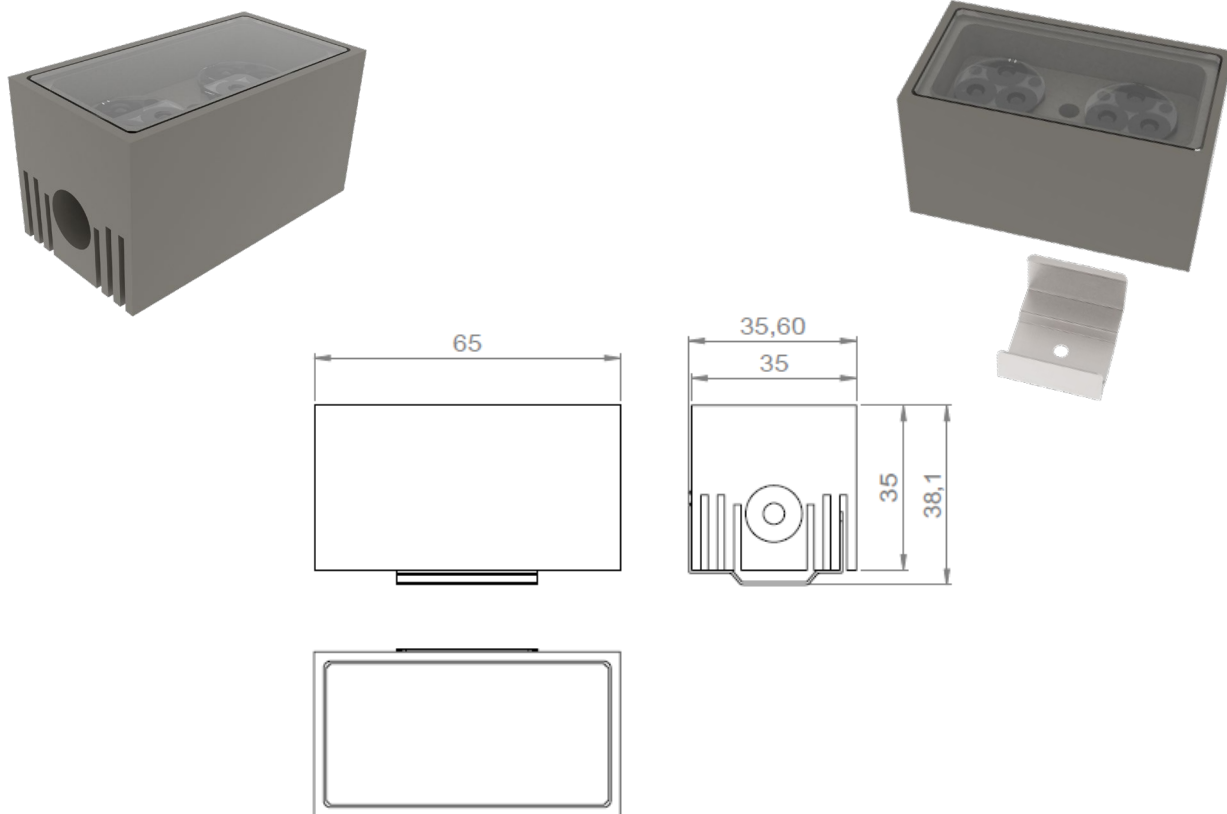


ROME

Common characteristics

Range	Architectural floodlighting
Description	Paint finish aluminium body and recessed box RAL 1013 or 7030 (other upon request)
LED characteristics	6 or 8 LED : 2200K – 2700K – 3000K – 4000K (other upon request) CRI 90
Use limitations	The product must be installed into a ventilated area. Any use with an ambient temperature higher than the specified ambient temperature (Ta) would lead to a more rapid mortality of the product and the withdrawal of our guarantees. The drivers, if not delivered by LOuss, must be approved before use.
Warranty	Life span: L80B10 at 50,000 hours (80% remaining flux) at 25°C ambient temperature. 3-year parts and labour warranty. The warranty does not apply to products that have been opened, modified or repaired and does not cover the effects of a wrong connection, careless, abusive handling, overvoltage, lighting injury, as well as the normal wear of the product. All products are electrically tested and received a functional burn-in.

All the connections have to be made before powering up,
otherwise the luminaire could be seriously damaged.



Rome

Surface-mounted version

Dimensions	65 x 35.6 x 38.1mm
Net weight	0.170 kg
Optical beam	<ul style="list-style-type: none"> - Optic + filter + extra-clear glass - Optic + striated glass - Optic + extra-clear glass
Installation	Stainless steel fixing clips
Connection	Delivered with 1m cable (more length upon request) Cable output on 1 side Individual connection or connection in series on external constant current driver
Separate power supply	350mA max constant current driver
LED power	6W

All the connections have to be made before powering up, otherwise the luminaires could be seriously damaged.

LOUSS

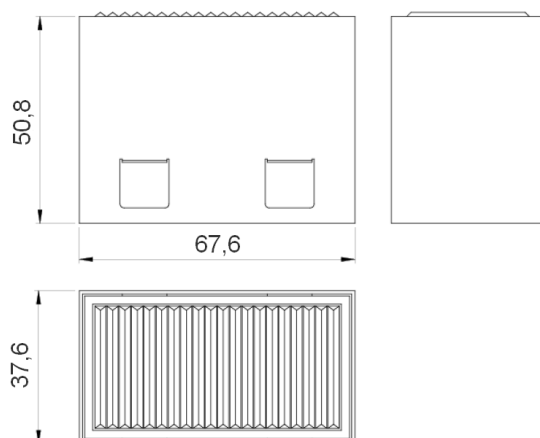
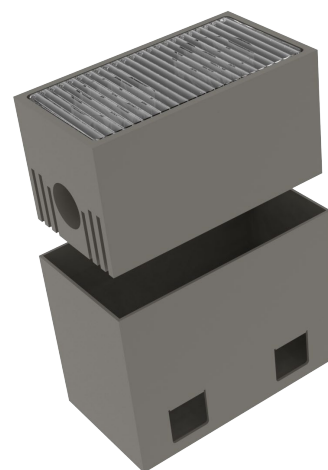
Last update : 04/11/2021

Firalux & LOUSS brands

SARL, Capital 40 000€
 RCS DIJON B 503 367 245
 TVA/VAT n°: FR24 503 367 245
 APE 4676Z

Tel. : +33 380 48 65 68
 contact@louss.fr
www.louss.fr
 Best group

Siège social / Head Office
 PA Les Terres d'Or
 Route de Saint Philibert
 21220 Gevrey Chambertin - FRANCE



Rome

Recessed version

Dimensions	67.6 x 37.6 x 50.8mm
Net weight	0.170 kg (without recessed box)
Optical beam	<ul style="list-style-type: none"> - Optic + filter + extra-clear glass - Optic + striated glass - Optic + extra-clear glass
Installation	Stainless steel fixing clips
Connection	<p>Delivered with 1m cable (more length upon request)</p> <p>Cable output from below</p> <p>Individual connection or connection in series on external constant current driver</p>
Separate power supply	350mA max constant current driver
LED power	6W

All the connections have to be made before powering up, otherwise the luminaires could be seriously damaged.

LOUSS

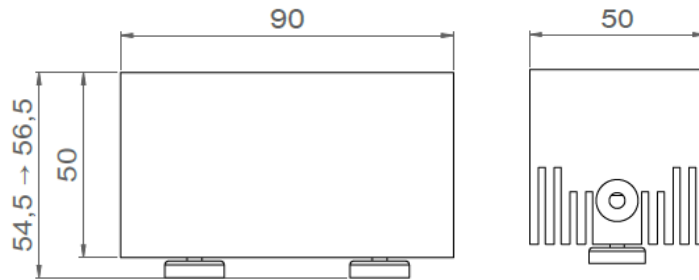
Last update : 04/11/2021

Firalux & LOUSS brands

SARL, Capital 40 000€
RCS DIJON B 503 367 245
TVA/VAT n°: FR24 503 367 245
APE 4676Z

Tel. : +33 380 48 65 68
contact@louss.fr
www.louss.fr
Best group

Siège social / Head Office
PA Les Terres d'Or
Route de Saint Philibert
21220 Gevrey Chambertin - FRANCE

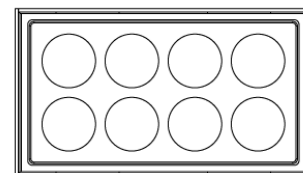
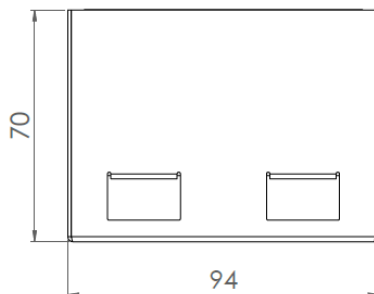
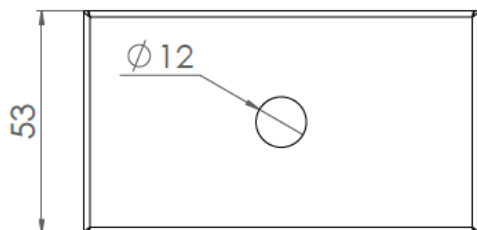
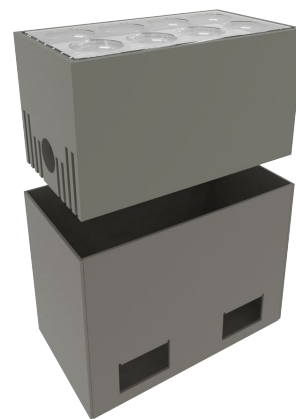


Rome II

Magnetic version

Dimensions	90 x 50 x 54.5 à 56.5mm
Net weight	0.500 kg
Optical beam	10° - 15° - 20° - 25° - 30° - 40° - 50° - Elliptical
Installation	Easy installation with 2 magnets
Connection	Delivered with 1m cable (more length upon request) Cable output on 1 side
Separate power supply	48VCC
LED power	20W

All the connections have to be made before powering up,
otherwise the luminaires could be seriously damaged.



Rome II

Recessed version

Dimensions	94 x 53 x 70mm
Net weight	0.500 kg (without recessed box)
Optical beam	10° - 15° - 20° - 25° - 30° - 40° - 50° - Elliptical
Connection	Delivered with 1m cable (more length upon request) Cable output from below
Separate power supply	48VCC
LED power	20W

All the connections have to be made before powering up,
otherwise the luminaires could be seriously damaged.