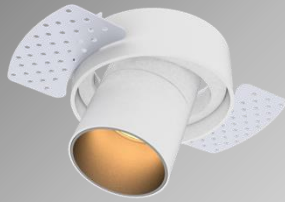


*AURORE D40
Trimless*



*AURORE D52
Trimless*



*AURORE D52
Colerette*



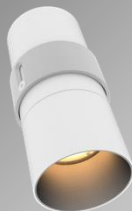
*AURORE D52
Canon fixe*



*AURORE D60
Trimless*



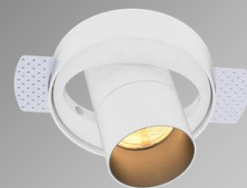
*AURORE D60
Colerette*



*AURORE D60
Canon fixe*



*AURORE D75
Trimless*



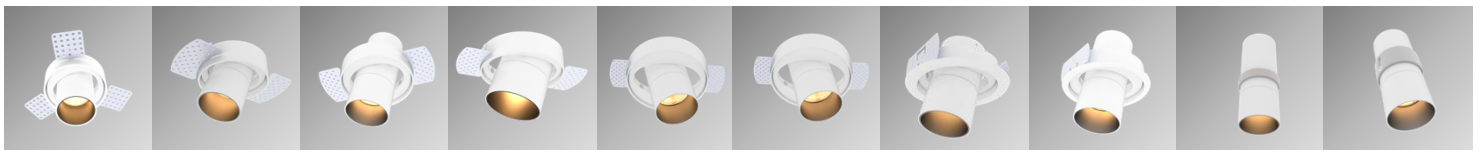
*AURORE D82
Trimless*



*AURORE D82
Trimless Twin white*

AURORE *Recessed version*



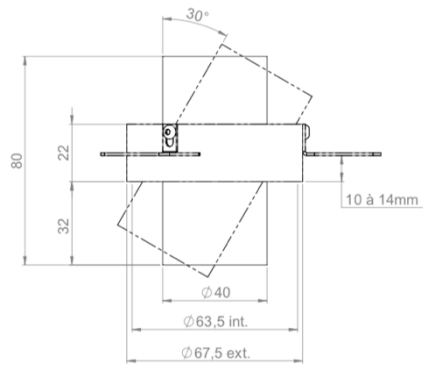


AURORE Recessed versions

Common characteristics

Range	Highly flexible recessed ceiling downlight for general & accent lighting
Description	Aluminium body Rotation 360° - Adjustable tilt 30° + 30° (except twin-white version) White finish RAL 9003 (other upon request)
Connection	Supplied with 0.50m cable
Use limitations	The product must be installed into a ventilated area. Any use with an ambient temperature higher than the specified ambient temperature (Ta) would lead to a more rapid mortality of the product and the withdrawal of our guarantees. The drivers, if not delivered by LOuss, must be approved before use.
Warranty	Life span: L80B10 at 50,000 hours (80% remaining flux) at 25°C ambient temperature. 3-year parts and labour warranty. The warranty does not apply to products that have been opened, modified or repaired and does not cover the effects of a wrong connection, careless, abusive handling, overvoltage, lighting injury, as well as the normal wear of the product. All products are electrically tested and received a functional burn-in.

All the connections have to be made before powering up,
otherwise the luminaires could be seriously damaged.



AURORE D40

Trimless version

Range	Highly flexible recessed ceiling downlight for general & accent lighting
Description	Rotation 360° - Adjustable tilt 30° + 30° White finish RAL 9003 (other upon request)
Net weight	0.150 kg
Installation	Installation diameter : 68mm No specific tools required
LED characteristics	2700K - 3000K - 3500K - 4000K - 5000K MacAdam ellipse : 3 SDCM CRI 90 (standard version) - CRI 95, R9 > 80 (premium version) UGR < 15 300 to 800 lm (3W to 8W)
Optical beam	6° - 10° - 15° - 20° - 25° - 30° - 35° - 40° - 55° - 60° - Elliptic Special filters, honey comb upon request
Separate power supply	350mA to 900mA constant current driver according to version Dimmable driver upon request
LED power	4W to 10W

All the connections have to be made before powering up,
otherwise the luminaires could be seriously damaged.



AURORE D52

Trimless version

Range	Highly flexible recessed ceiling downlight for general & accent lighting
Net weight	0.45 kg
Installation	Installation diameter : 95mm No specific tools required
LED characteristics	2700K - 3000K - 3500K - 4000K - 5000K MacAdam ellipse : 3 SDCM (standard version) - 2 SDCM (premium version) CRI 90 (standard version) - CRI95, R9 > 90 (premium version) UGR < 15 LED 600 to 2000 lm according to version (1200lm at 13Wmax)
Optical beam	7° - 12° - 15° - 20° - 25° - 30° - 35° - Elliptic Special filters, honey comb upon request
Intensity in the axis	Version 7° / 8W : 30 000 cd max Version 11° / 8W : 1 800 cd max Version 20° / 18W : 13 000 cd max Version 25° / 18W : 75 000 cd max Version 30° / 18W : 4 000 cd max
Separate power supply	350mA to 900mA constant current driver according to version Dimmable driver upon request
LED power	6W to 25W

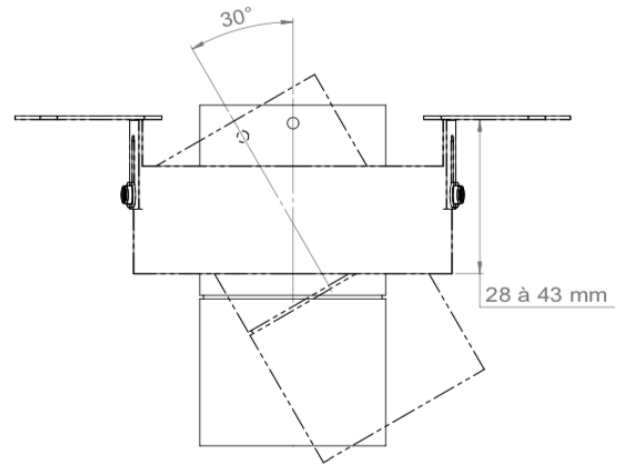
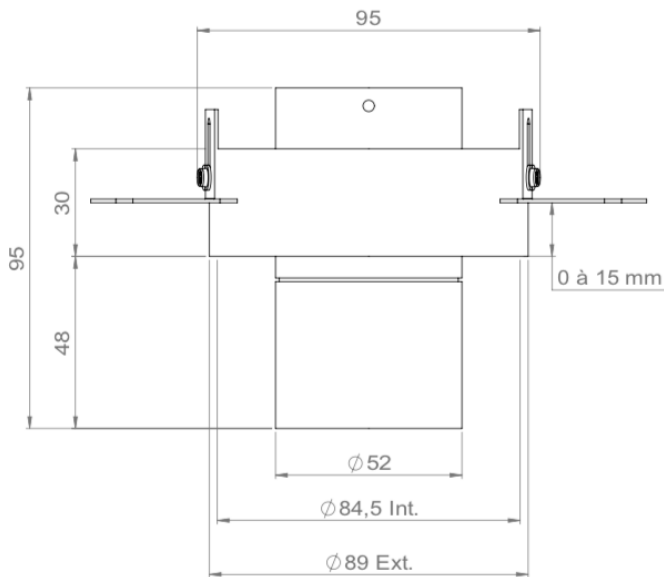
All the connections have to be made before powering up,
otherwise the luminaires could be seriously damaged.



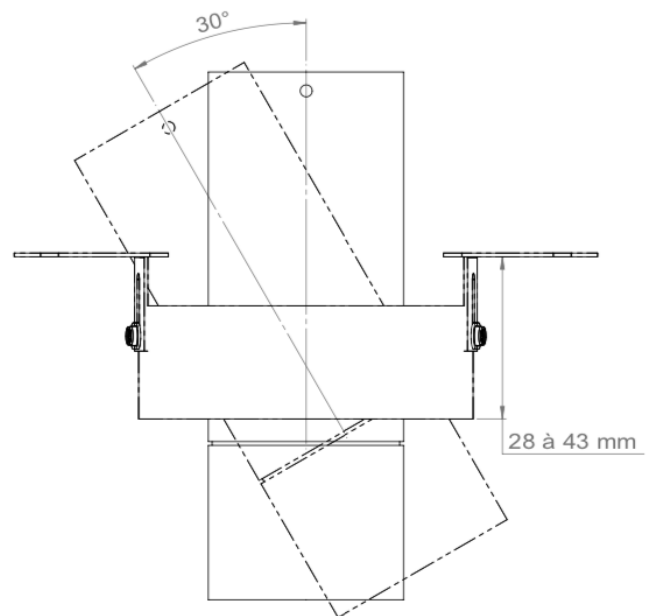
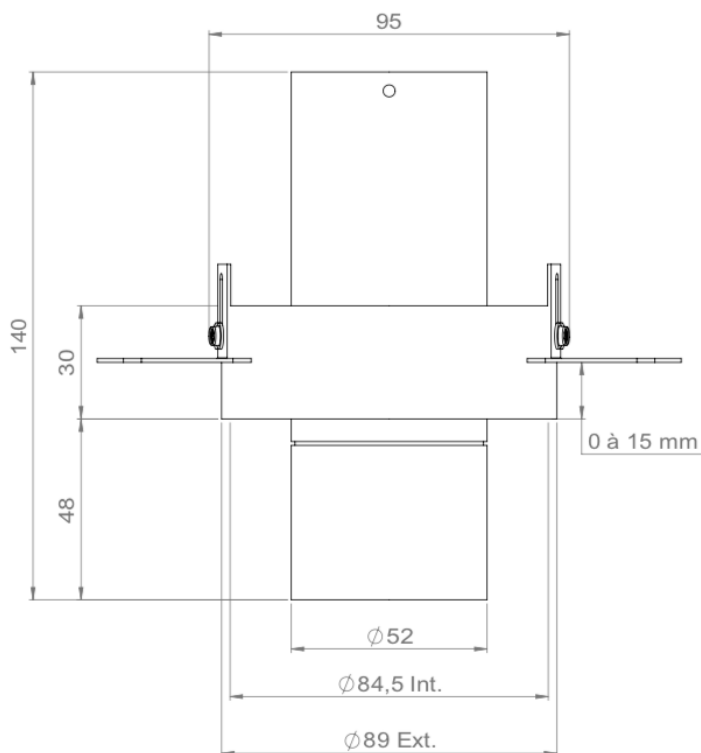
AURORE D52

Trimless version

Length 95mm ≤ 13W



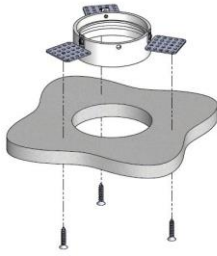
Length 140mm ≤ 20W



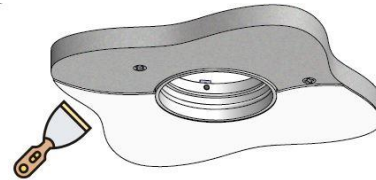
All the connections have to be made before powering up, otherwise the luminaires could be seriously damaged.



Installation from above



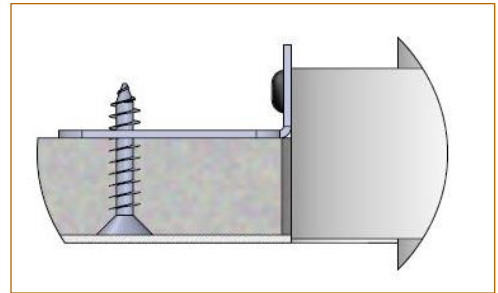
Install the recessed box from above and screw it into the surface



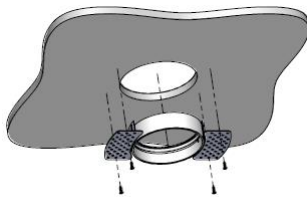
Cover the lateral plates of the recessed box by coating and painting



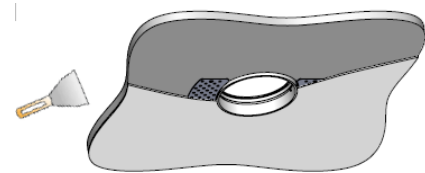
Insert the spotlight from below



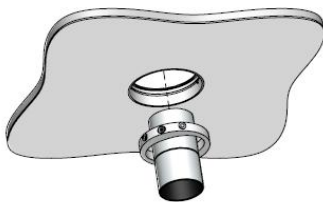
Installation from below



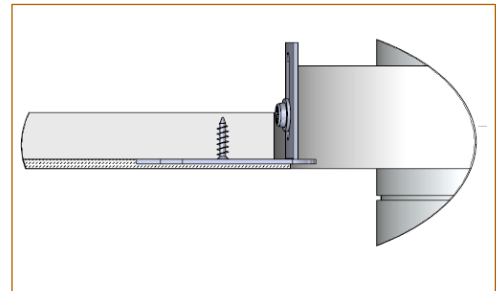
Install the recessed box from below and screw it into the surface



Cover the lateral plates of the recessed box by coating and painting



Insert the spotlight from below





AURORE D52

Recessed version with mounting ring

Range	Highly flexible recessed ceiling downlight for general & accent lighting
Net weight	0.450 kg
Installation	Installation diameter : 95mm No specific tools required
LED characteristics	2700K - 3000K - 3500K - 4000K - 5000K Ellipse MacAdam : 3 SDCM (standard version) - 2 SDCM (premium version) CRI 90 (standard version) - CRI95, R9 > 90 (premium version) UGR < 15 LED 600 to 2000 lm according to version (1200lm at 13Wmax)
Optical beam	7° - 12° - 15° - 20° - 25° - 30° - 35° - Elliptic Special filters, honey comb upon request
Intensity in the axis	Version 7° / 8W : 30 000 cd max Version 11° / 8W : 1 800 cd max Version 20° / 18W : 13 000 cd max Version 25° / 18W : 75 000 cd max Version 30° / 18W : 4 000 cd max
Separate power supply	350mA to 900mA constant current driver according to version Dimmable driver upon request
LED power	6W to 20W

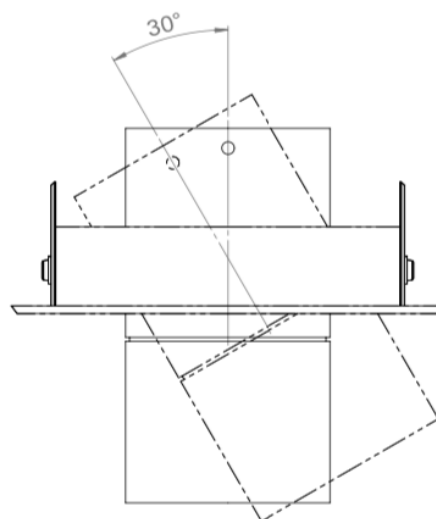
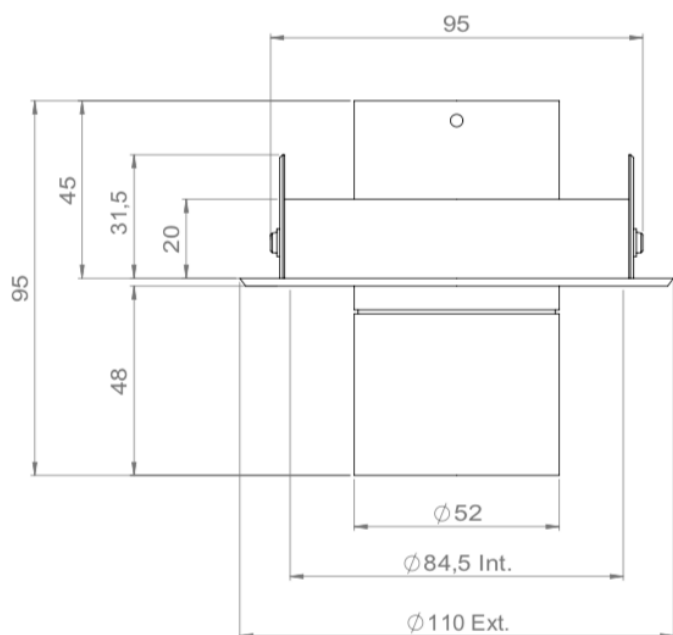
All the connections have to be made before powering up,
otherwise the luminaires could be seriously damaged.



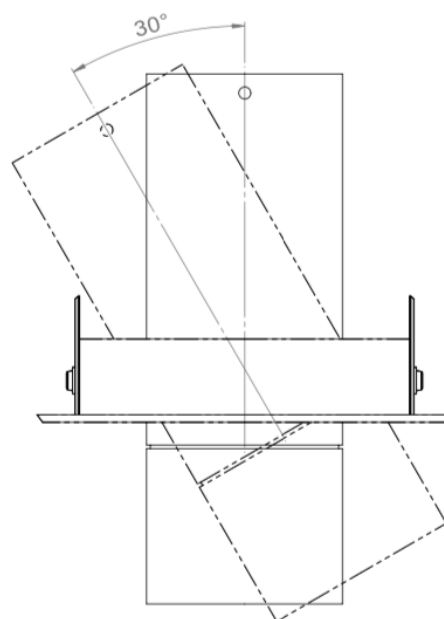
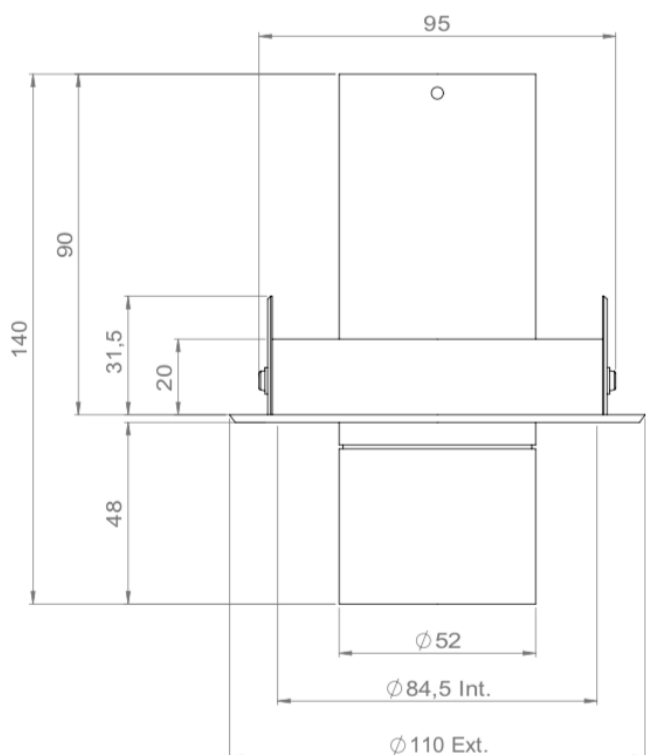
AURORE D52

Recessed version with mounting ring

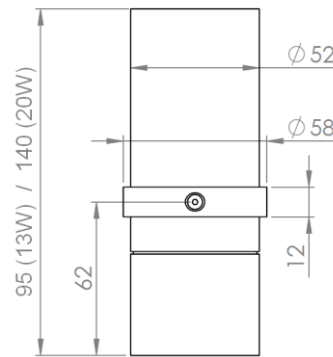
Length 95mm ≤ 13W



Length 140mm ≤ 20W



All the connections have to be made before powering up,
otherwise the luminaires could be seriously damaged.

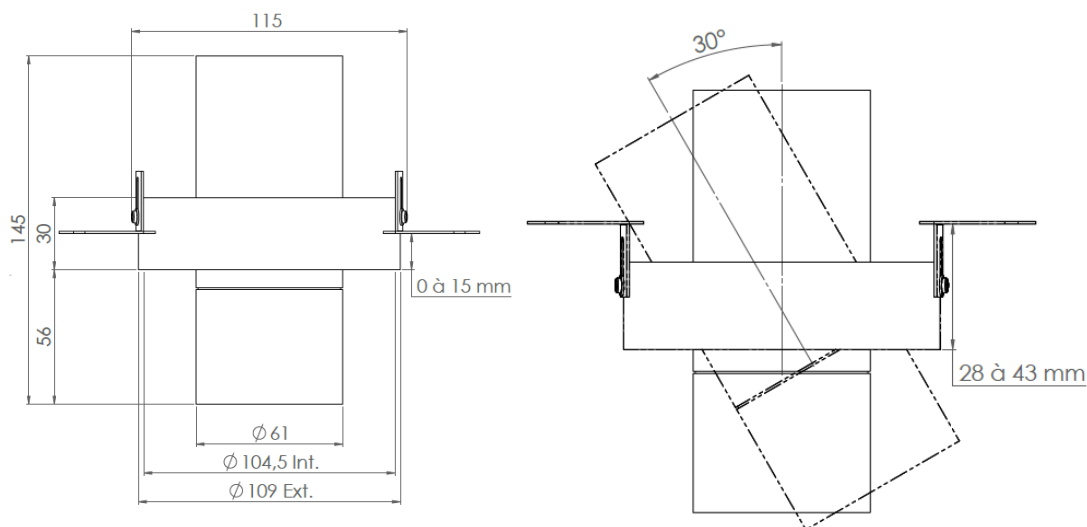


AURORE D52

Fixed version

Range	Highly flexible recessed ceiling downlight for general & accent lighting
Net weight	0.40 kg
Installation	Installation diameter : 58mm No specific tools required
LED characteristics	2700K - 3000K - 3500K - 4000K - 5000K MacAdam ellipse : 3 SDCM (standard version) – 2 SDCM (premium version) CRI 90 (standard version) – CRI 95, R9 > 90 (premium version) UGR < 15 LED 600 to 1500 lm according to version (13W or 20W)
Optical beam	7° - 12° - 15° - 20° - 25° - 30° - 35° - Elliptique Special filters, honey comb upon request
Intensity in the axis	Version 7° / 8W : 30 000 cd max Version 11° / 8W : 1 800 cd max Version 20° / 18W : 13 000 cd max Version 25° / 18W : 75 000 cd max Version 30° / 18W : 4 000 cd max
Separate power supply	350mA to 900mA constant current driver according to version Dimmable driver upon request
LED power	6W to 25W

All the connections have to be made before powering up,
otherwise the luminaires could be seriously damaged.



AURORE D60

Trimless version

Range	Highly flexible recessed ceiling downlight for general & accent lighting
Net weight	0.450 kg
Installation	Installation diameter : 115mm No specific tools required
LED characteristics	2700K - 3000K - 3500K - 4000K - 5000K MacAdam ellipse : 3 SDCM (standard version) - 2 SDCM (premium version) CRI 90 (standard version) - CRI 95, R9 > 90 (premium version) UGR < 15 LED 600 to 2000 lm according to version
Optical beam	7° - 10° - 12° - 15° - 20° - 25° - 30° - 35° - Elliptic Special filters, honey comb upon request
Separate power supply	350mA to 900mA constant current driver according to version Dimmable driver upon request
LED power	6W to 25W

All the connections have to be made before powering up,
otherwise the luminaires could be seriously damaged.

Louss

Last update : 08.03.2022

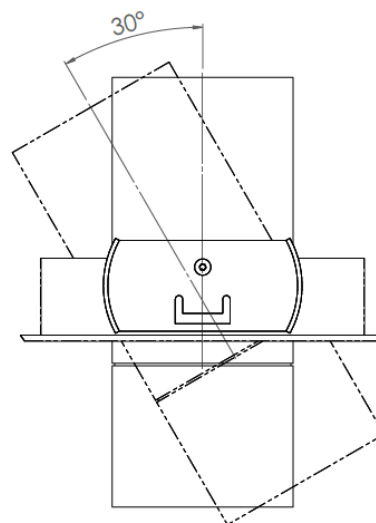
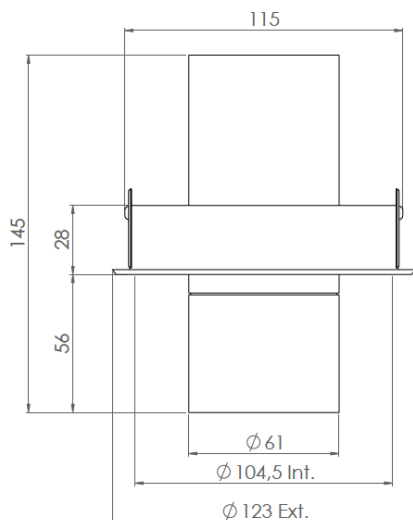
10/15

Firalux & LOuss brands

SARL, Capital 40 000€
RCS DIJON B 503 367 245
TVA/VAT n°: FR24 503 367 245
APE 4676Z

Tel. : +33 380 48 65 68
contact@louss.fr
www.louss.fr
Best group

Siège social / Head Office
PA Les Terres d'Or
Route de Saint Philibert
21220 Gevrey Chambertin - FRANCE

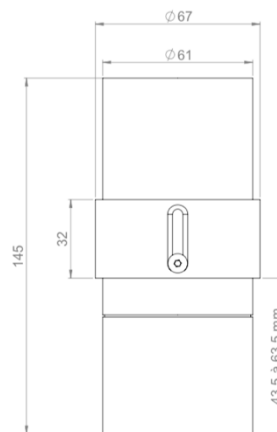


AURORE D60

Recessed version with mounting ring

Range	Highly flexible recessed ceiling downlight for general & accent lighting
Net weight	0.450 kg
Installation	Installation diameter : 115mm No specific tools required
LED characteristics	2700K - 3000K - 3500K - 4000K - 5000K MacAdam ellipse : 3 SDCM (standard version) - 2 SDCM (premium version) CRI 90 (standard version) - IRC 95, R9 > 90 (premium version) UGR < 15 LED 600 to 2000 lm according to version
Optical beam	7° - 12° - 15° - 20° - 25° - 30° - 35° - Elliptic Special filters, honey comb upon request
Separate power supply	350mA to 1400mA constant current driver according to version Dimmable driver upon request
LED power	6W to 25W

All the connections have to be made before powering up, otherwise the luminaires could be seriously damaged.

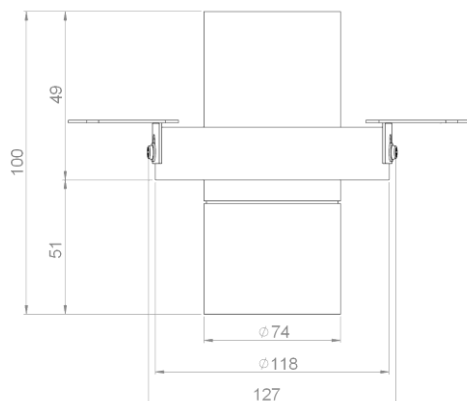


AURORE D60

Fixed version

Range	Highly flexible recessed ceiling downlight for general & accent lighting
Net weight	0.40 kg
Installation	Installation diameter : 67mm No specific tools required
LED characteristics	2700K - 3000K – 4000K (3500K – 5000K sur demande) MacAdam ellipse : 3 SDCM (standard version) – 2 SDCM (premium version) CRI 90 (standard version) – CRI 95, R9 > 90 (premium version) UGR < 15 LED 600 to 1500 lm according to version
Optical beam	7° - 12° - 15° - 25° - 30° - Elliptic Special filters, honey comb upon request
Connection	Supplied with 1m cable (other upon request)
Separate power supply	350mA to 1400mA constant current driver according to version Dimmable driver upon request
LED power	6W to 25W

All the connections have to be made before powering up,
otherwise the luminaires could be seriously damaged.



AURORE D75

Trimless version

Range	Highly flexible recessed ceiling downlight for general & accent lighting
Net weight	0.50 kg
Installation	Installation diameter : 127mm No specific tools required
LED characteristics	2700K - 3000K - 3500K - 4000K CRI 90 R9 >50 CRI 95 R9 >80 CRI 97 R9 >90 LED 600 to 2000 lm according to version
Optical beam	6° - 12° - 15° - 20° - 25° - 30° - 35° - 40° - 60° Elliptic Special filters, honey comb upon request
Separate power supply	350mA to 1400mA constant current driver according to version Dimmable driver upon request
LED power	6W to 25W

All the connections have to be made before powering up,
otherwise the luminaires could be seriously damaged.

LOUSS

Last update : 08.03.2022

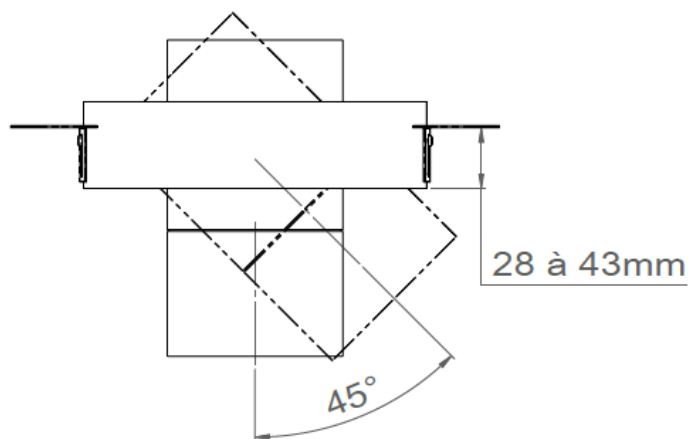
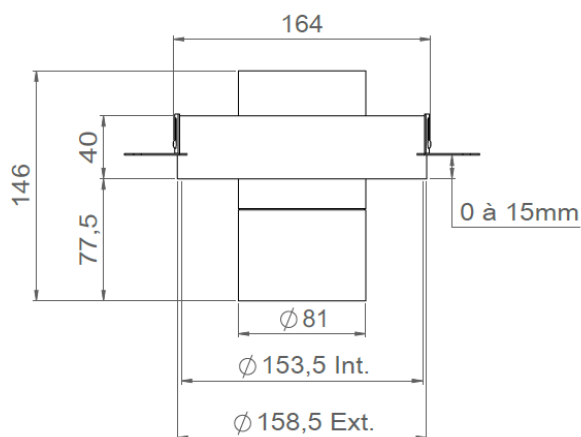
13/15

Firalux & LOUSS brands

SARL, Capital 40 000€
RCS DIJON B 503 367 245
TVA/VAT n°: FR24 503 367 245
APE 4676Z

Tel. : +33 380 48 65 68
contact@louss.fr
www.louss.fr
Best group

Siège social / Head Office
PA Les Terres d'Or
Route de Saint Philibert
21220 Gevrey Chambertin - FRANCE

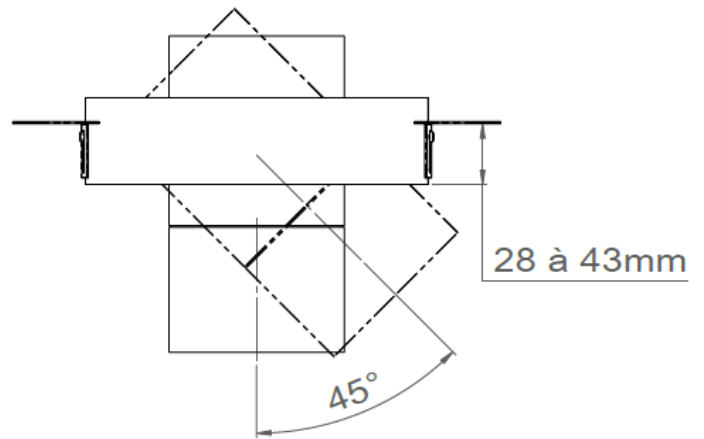
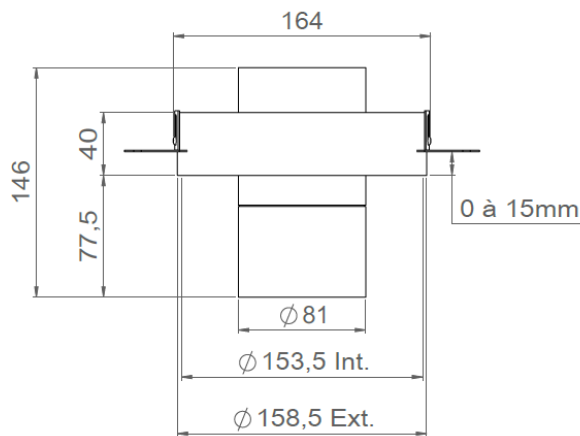


AURORE D82

Trimless version

Range	Highly flexible recessed ceiling downlight for general & accent lighting
Net weight	0.90 kg
Installation	Installation diameter : 135mm No specific tools required
LED characteristics	2700K - 3000K – 4000K (3500K – 5000K sur demande) Ellipse MacAdam: 3 SDCM (standard version) – 2 SDCM (premium version) CRI 90 (standard version) – CRI 95, R9 > 90 (premium version) UGR < 15 LED 150 to 2500 lm according to version
Optical beam	12° - 15° - 25° - 30° - 40° - Elliptic Special filters, honey comb upon request
Separate power supply	350mA to 700mA constant current driver according to version Dimmable driver upon request
LED power	15W to 25W

All the connections have to be made before powering up,
otherwise the luminaires could be seriously damaged.



AURORE D82 TRIMLESS

Tunable white version 2700K-6500K

Range	Highly flexible recessed ceiling downlight for general & accent lighting
Description	Rotation 360° - Adjustable tilt 45° + 45° White mat finish RAL 9003 (other upon request)
Net weight	0.90 kg
Installation	Installation diameter : 164mm No specific tools required
LED characteristics	3 LED 2700K – 4000K – 6500K UGR <15 2300 to 2600 lumen according to version
Optical beam	8°- 20°- 30°
Connection	Supplied with 0.50m 6-conductors cable In option : daisy-chain (2 input-output cables for serial cabling)
Separate power supply	Remote constant current DMX driver 350mA to 700mA (1A possible with driver flanged at 30W max)
LED power	Luminaire : 25W max Driver included : 30W max

All the connections have to be made before powering up,
otherwise the luminaires could be seriously damaged.