

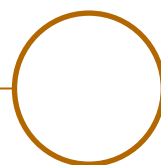
LOUSS

Lighting Emotion



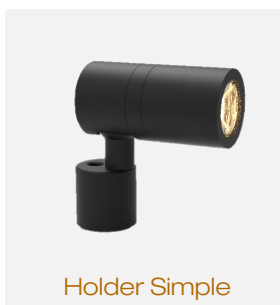
NANO12

The miniature spotlight

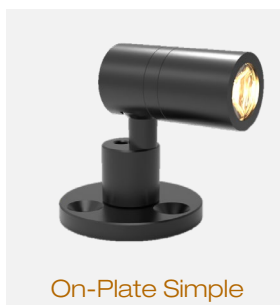




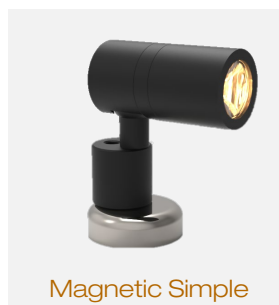
Plug Simple



Holder Simple



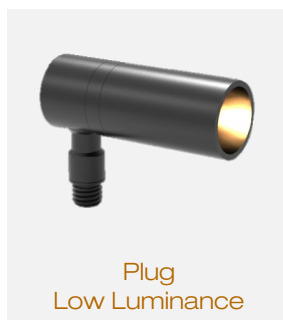
On-Plate Simple



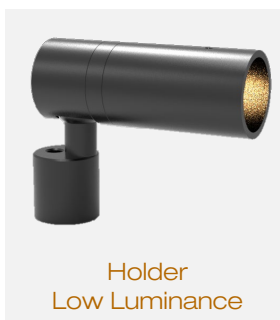
Magnetic Simple



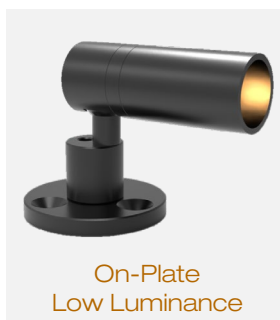
Magnetic Recessed Simple



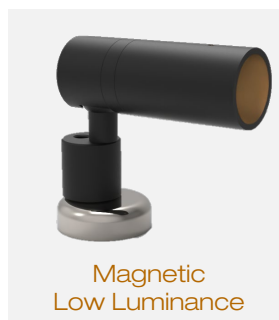
Plug Low Luminance



Holder Low Luminance



On-Plate Low Luminance



Magnetic Low Luminance



Magnetic Recessed Low Luminance

NANO12

Range	Spotlights for accent lighting	
Description	<p>Supplied in Simple or Low Luminance version</p> <p>Anodized aluminum body</p> <p>Recessed Magnetic version : Supplied in Straight or Beveled (10°, 15°, 25° or 30°) versions</p> <p>Plug , Holder, On-Plate & Magnet versions : Orientation 350° - Adjustable tilt 109°</p>	
Finish	Black anodized matt finish	
Dimensions	Plug	Holder
	Spotlight diameter : 12mm	Spotlight diameter : 12mm
	Spotlight length : 24mm (Simple) 32mm (L.L)	Total length : 27mm (Simple) (holder included) 35mm (L.L)
	Max. height : 31mm (Simple) (holder included) 39mm (L.L)	Max. height : 37mm (Simple) (holder included) 46mm (L.L)
	Fixing device height : 4mm	Holder diameter : 10mm
	On-Plate	Magnet
Spotlight diameter : 12mm	Spotlight diameter : 12mm	Spotlight diameter : 12mm
Total length : 34mm (Simple) (plate included) 43mm (L.L)	Total length : 27mm (Simple) (magnet included) 35mm (L.L)	Total length : 27mm (Simple) (magnet included) 35mm (L.L)
Max. height : 40mm (Simple) (plate included) 49mm (L.L)	Max. height : 42mm (Simple) (magnet included) 51mm (L.L)	Max. height : 42mm (Simple) (magnet included) 51mm (L.L)
Plate diameter : 25mm		
	Recessed Magnetic	
Spotlight diameter : 12mm	Spotlight diameter : 12mm	
Spotlight length : 18.50mm (Simple) 26.80mm (L.L) 26.80mm (10° bevel) 27.40mm (15° bevel) 28.51mm (25° bevel) 29.2mm (30° bevel)		
Stop washer diameter : 30mm		

All the connections have to be made before powering up, otherwise the luminaires could be seriously damaged.

Creation : 2021.02.16 / Last update : 2025.11.14 - R



NANO12

LED characteristics	<p>CRI 92 / R9>80 : 1 LED 2700K – 3000K – 3500K – 4000K – 5700K</p> <p>CRI 80 : 1 LED 2200K</p> <p>MacAdam ellipse : 3 SDCM</p>
Optical beams	<p>16° - 23° - 25° - 33° - 37° - 58° - 69° - 78°</p> <p>17°x49° (Simple) – 16°x40° (Low Luminance)</p>
Connection	<p>Supplied with 0.5m cable</p> <p>Individual connection or connection in series on external constant current driver</p> <p>Optional : Easy plug system (25cm cable + male & female quick connectors + shunt)</p>
Separate power supply	<p>500mA max. External constant current driver</p> <p>For the US & Canada use a UL class 2 driver</p>
LED power	<p>Simple version : 1W at 350mA</p> <p>Low Luminance version : 1.6W at 500mA</p>
Use limitations	<p>The product must be installed into a ventilated area</p> <p>Any use with an ambient temperature higher than the specified ambient temperature (Ta) would lead to a more rapid mortality of the product and the withdrawal of our guarantees</p> <p>The drivers, if not delivered by LOuss, must be approved before use</p>
Warranty	<p>Life span: L80B10 at 50,000 hours (80% remaining flux) at 25°C ambient temperature</p> <p>3-year parts and labour warranty</p> <p>The warranty does not apply to products that have been opened, modified or repaired and does not cover the effects of a wrong connection, careless, abusive handling, overvoltage, lighting injury, as well as the normal wear of the product</p> <p>All products are electrically tested and received a functional burn-in</p>

All the connections have to be made before powering up, otherwise the luminaires could be seriously damaged.

Creation : 2021.02.16 / Last update : 2025.11.14 - R

LOuss

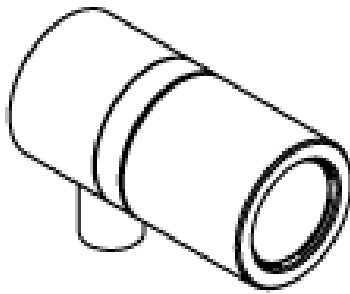
BEST SAS, Capital 200 000€
RCS Dijon B 408 483 485
TVA/VAT n° : FR94 408 483 485
APE 2612Z

Tel. : +33 380 48 65 68
contact@louss.fr
www.louss.fr
Best & LOuss

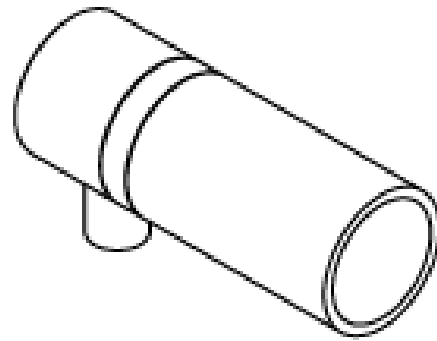
Siège social / Head Office
PA Les Terres d'Or
Route de Saint Philibert
21220 Gevrey Chambertin - FRANCE



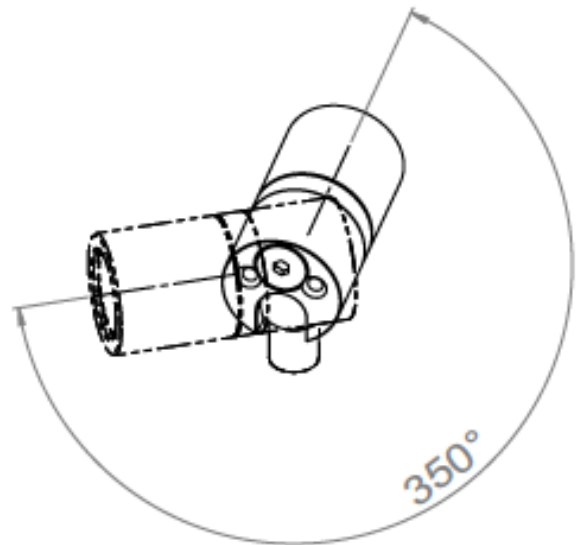
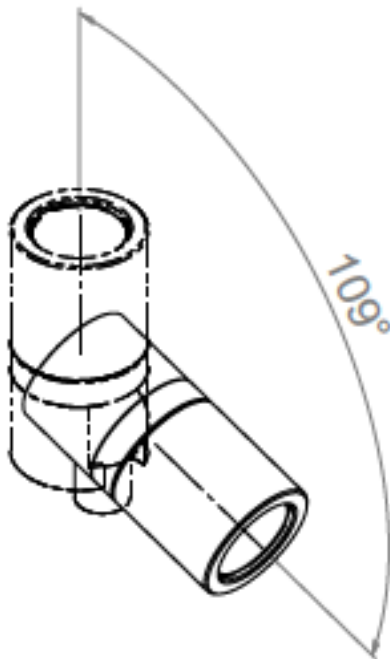
NANO12 • Plug • Holder • On-Plate • Magnetic



Simple version



Low Luminance version



Beyond 120°, cables may cause an inconvenience

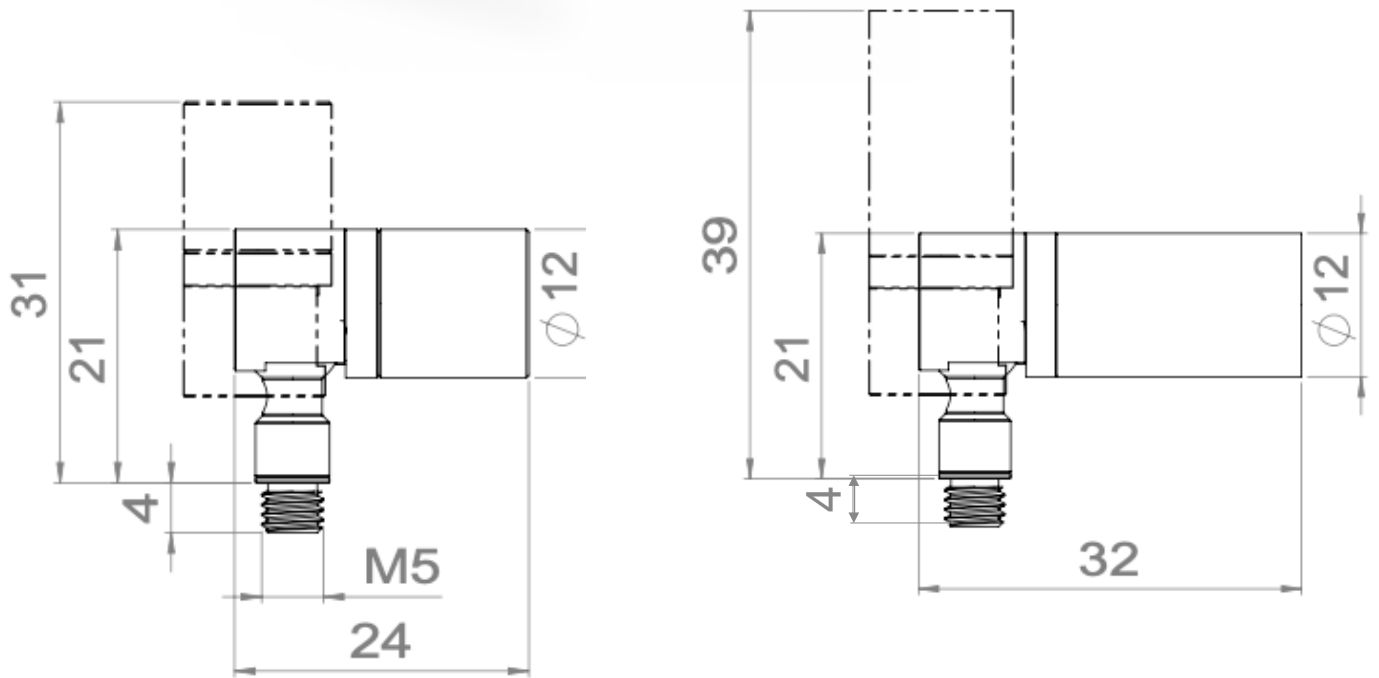
All the connections have to be made before powering up, otherwise the luminaires could be seriously damaged.

Creation : 2021.02.16 / Last update : 2025.11.14 - R



NANO12 PLUG

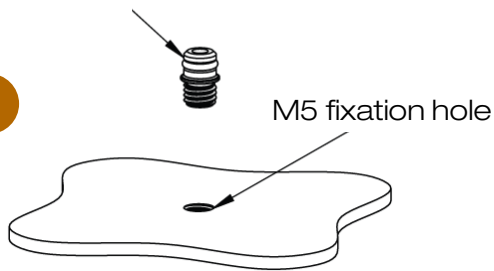
Dimensions & Installation guide



Installation guide

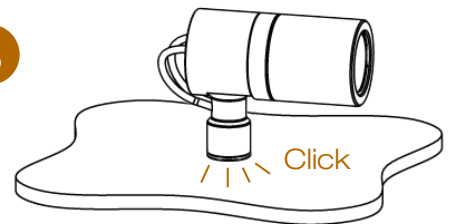
Base + seal to screw

1

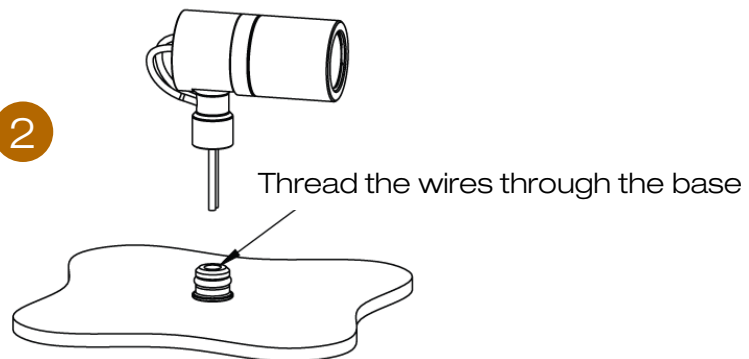


M5 fixation hole

3



2



Thread the wires through the base

All the connections have to be made before powering up, otherwise the luminaires could be seriously damaged.

Creation : 2021.02.16 / Last update : 2025.11.14 - R

louss

BEST SAS, Capital 200 000€
RCS Dijon B 408 483 485
TVA/VAT n° : FR94 408 483 485
APE 2612Z

Tel. : +33 380 48 65 68
contact@louss.fr
www.louss.fr
Best & LOUSS

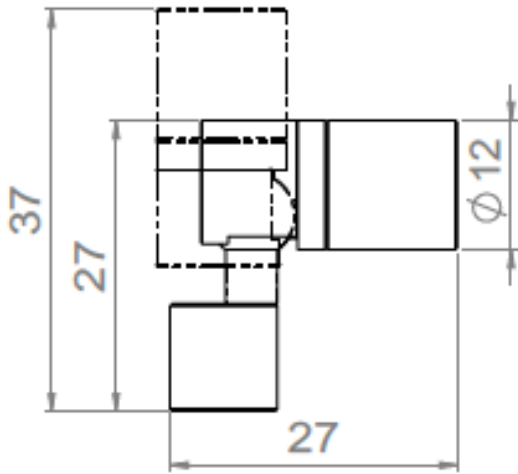
Siège social / Head Office
PA Les Terres d'Or
Route de Saint Philibert
21220 Gevrey Chambertin - FRANCE



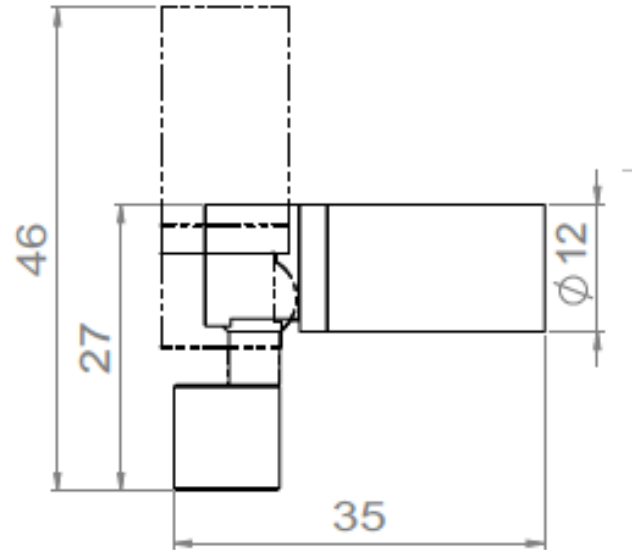
NANO12 HOLDER

Dimensions & Installation Guide

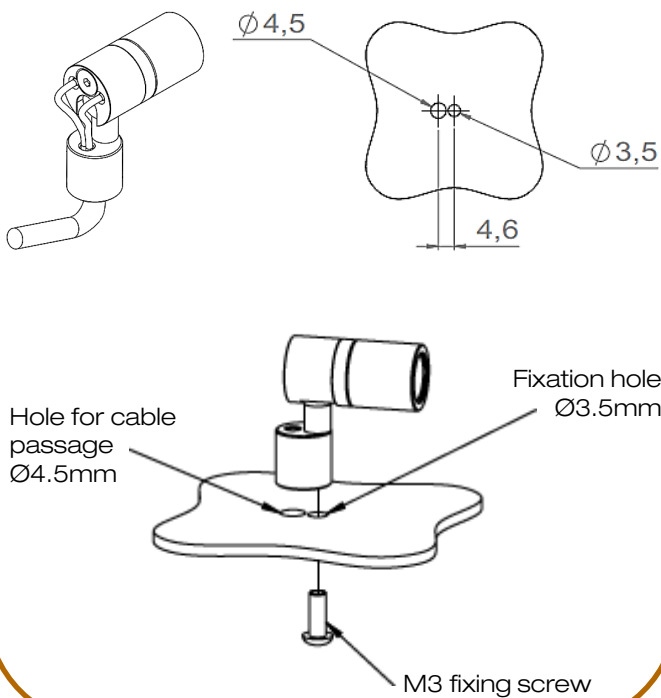
Simple version



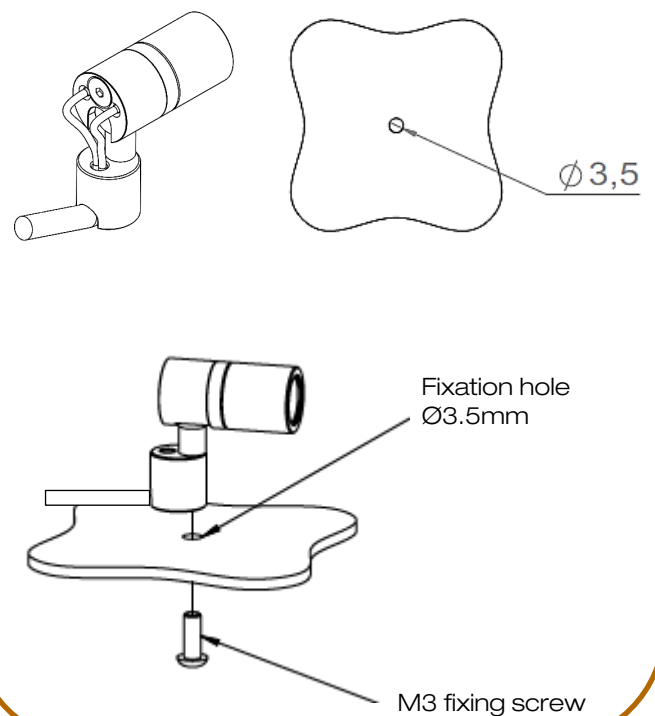
Low Luminance version



Installation guide
Cable output below



Installation guide
Cable output behind



All the connections have to be made before powering up,
otherwise the luminaires could be seriously damaged.

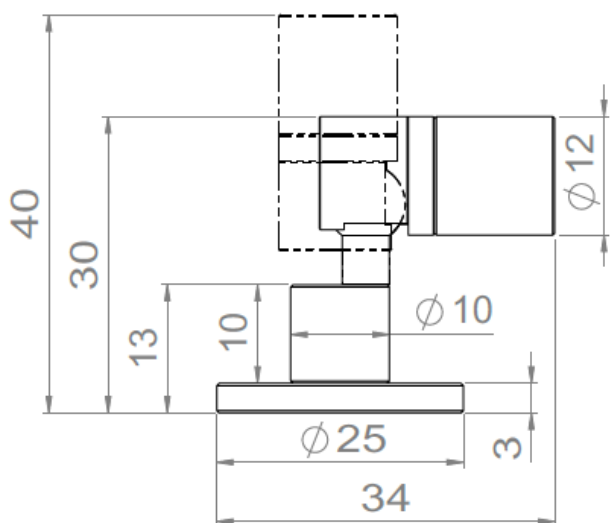
Creation : 2021.02.16 / Last update : 2025.11.14 - R



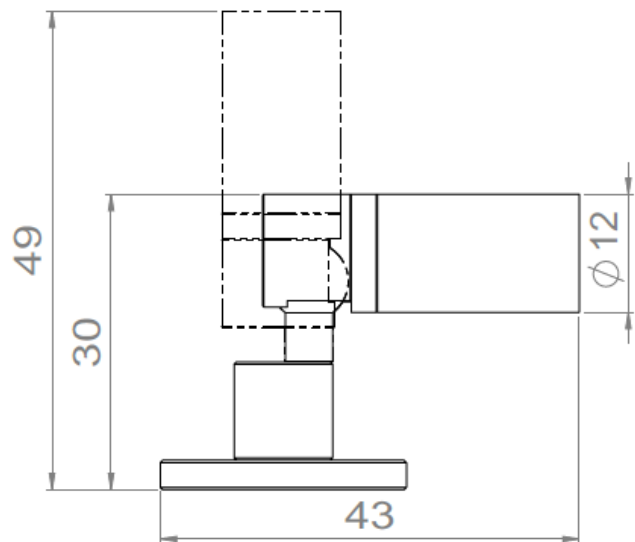
NANO12 ON-PLATE

Dimensions & Installation Guide

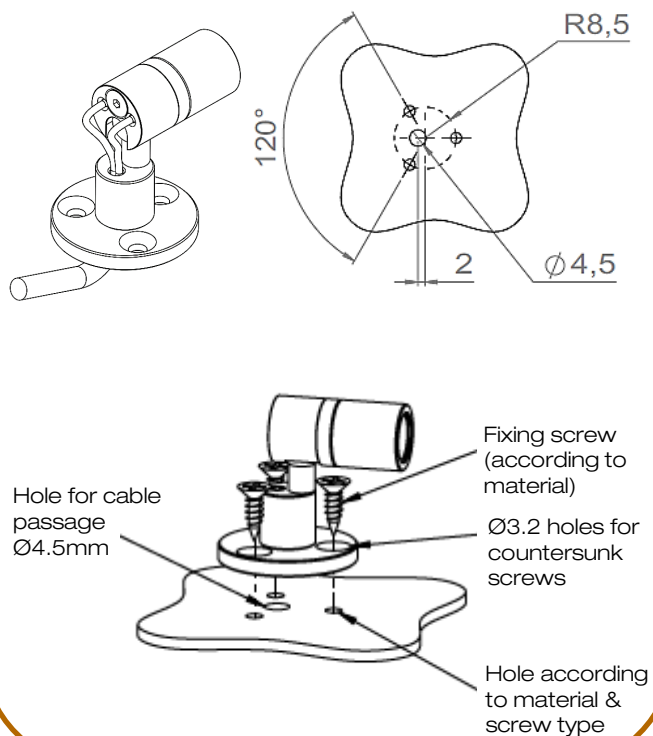
Simple version



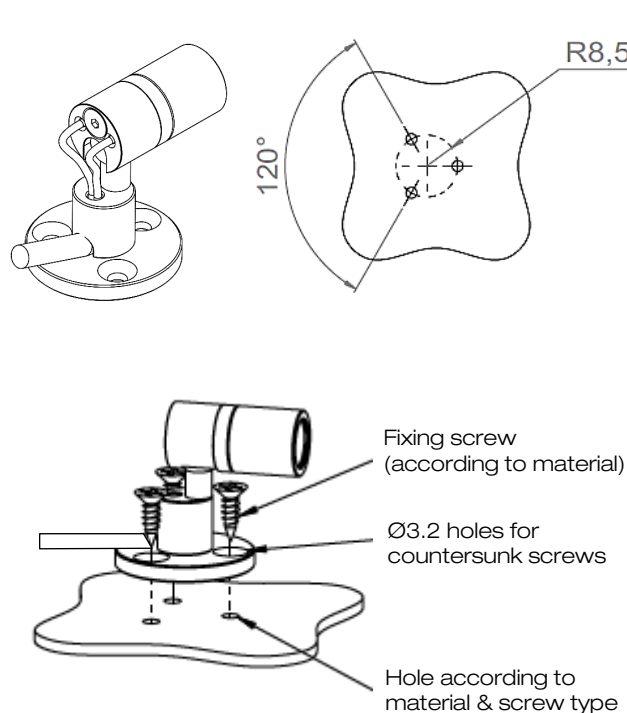
Low Luminance version



Installation guide
Cable output below



Installation guide
Cable output behind



All the connections have to be made before powering up,
otherwise the luminaires could be seriously damaged.

Creation : 2021.02.16 / Last update : 2025.11.14 - R

louss

BEST SAS, Capital 200 000€
RCS Dijon B 408 483 485
TVA/VAT n° : FR94 408 483 485
APE 2612Z

Tel. : +33 380 48 65 68
contact@louss.fr
www.louss.fr
Best & LOUSS

Siège social / Head Office
PA Les Terres d'Or
Route de Saint Philibert
21220 Gevrey Chambertin - FRANCE

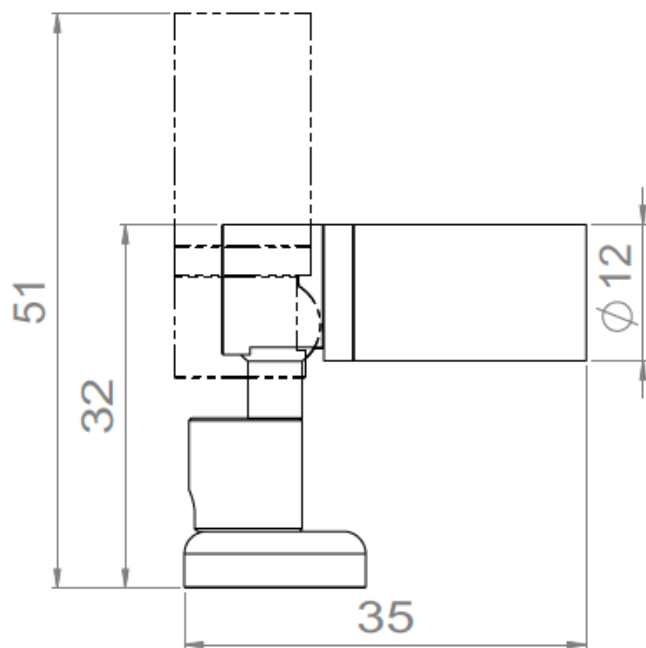
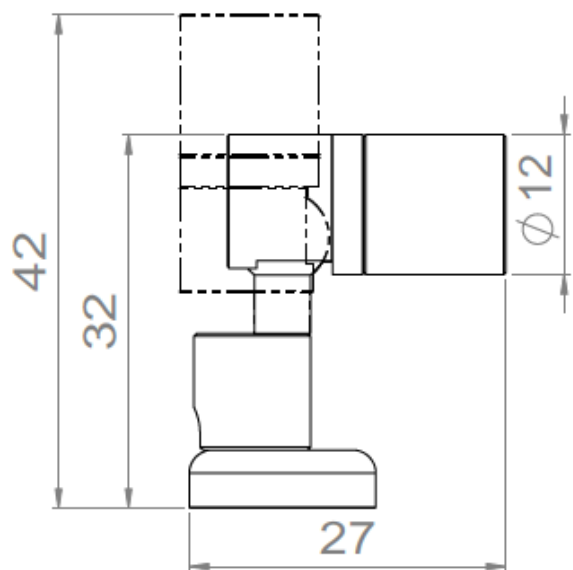


NANO12 MAGNETIC

Dimensions & Installation Guide

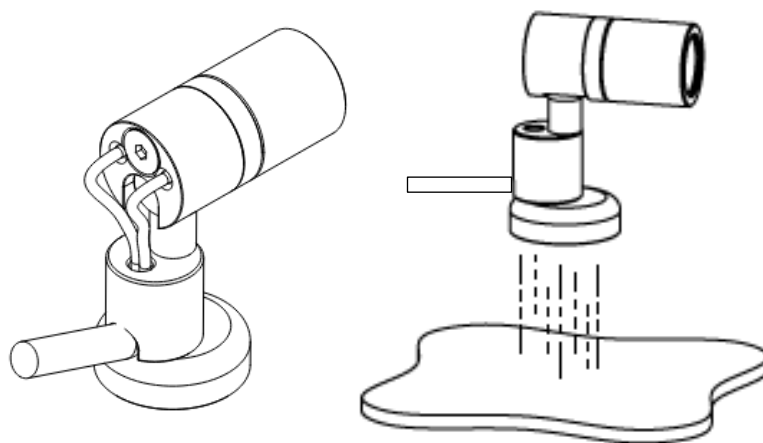
Simple version

Low Luminance version



Installation guide

Cable output behind only



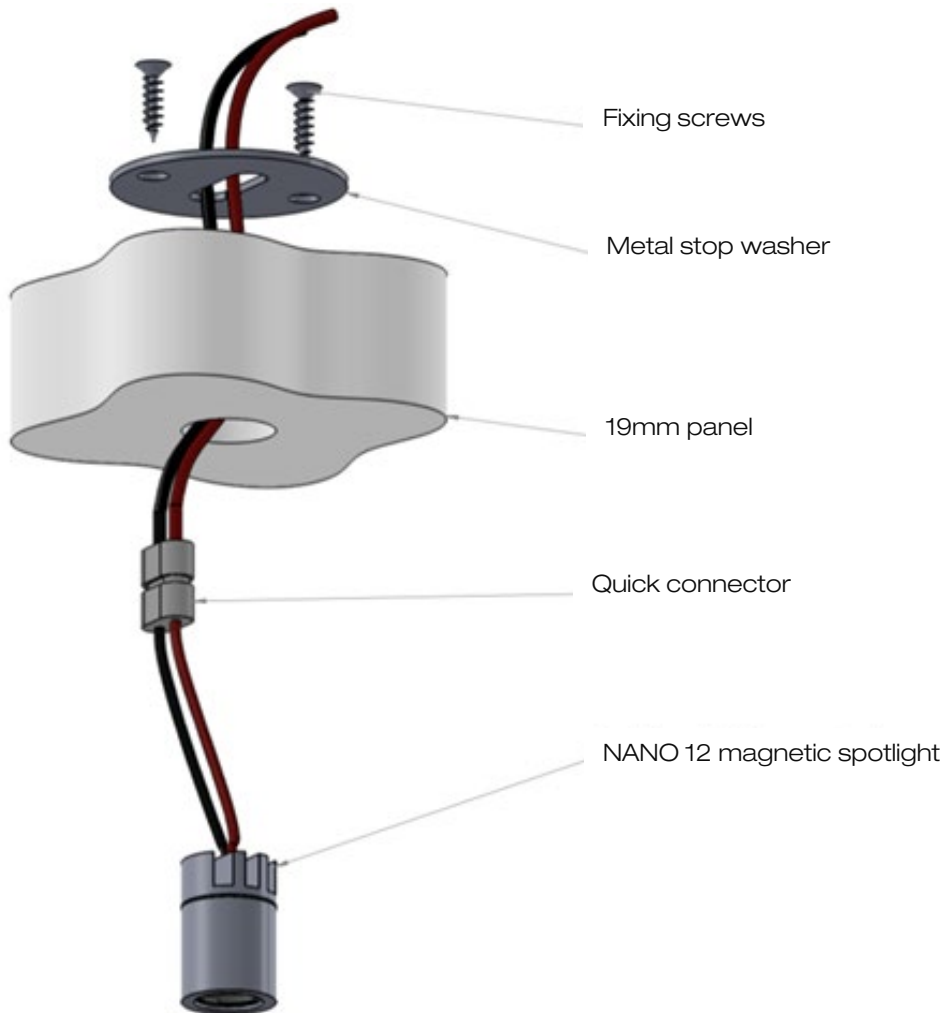
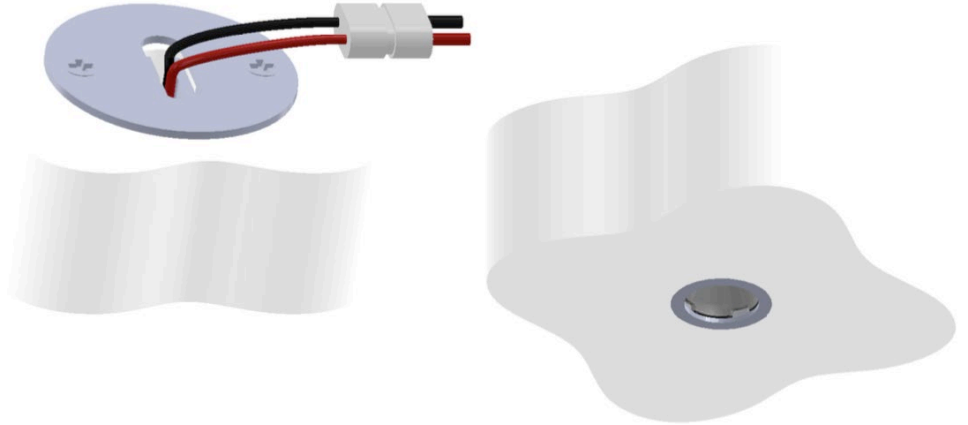
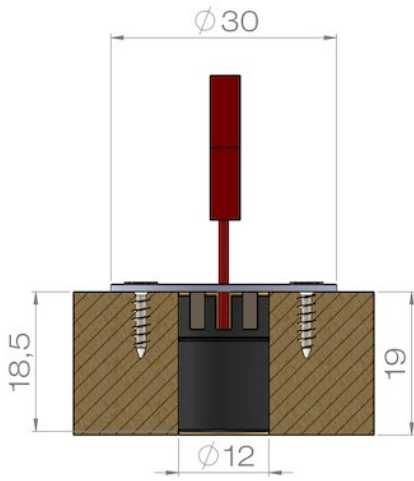
Install the spotlight on a metallic surface

All the connections have to be made before powering up, otherwise the luminaires could be seriously damaged.

Creation : 2021.02.16 / Last update : 2025.11.14 - R



NANO12 RECESSED MAGNETIC Simple version



All the connections have to be made before powering up,
otherwise the luminaires could be seriously damaged.

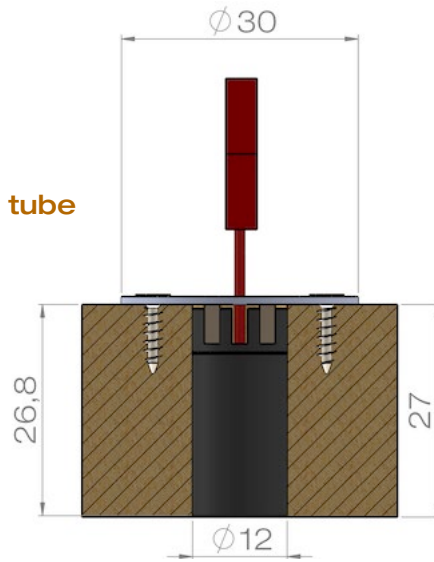
Creation : 2021.02.16 / Last update : 2025.11.14 - R



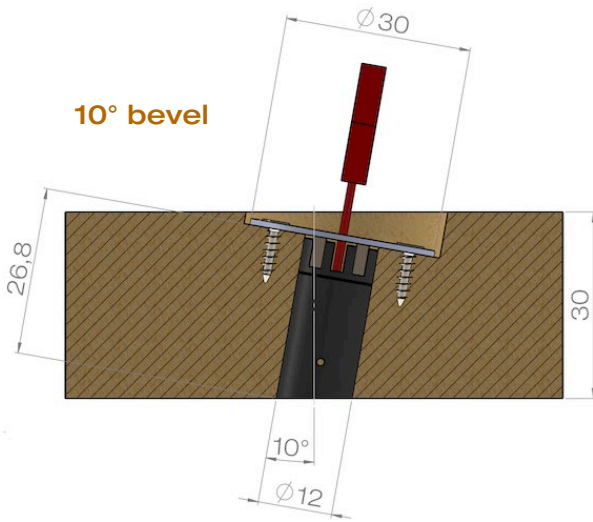
NANO12 RECESSED MAGNETIC

Low Luminance version

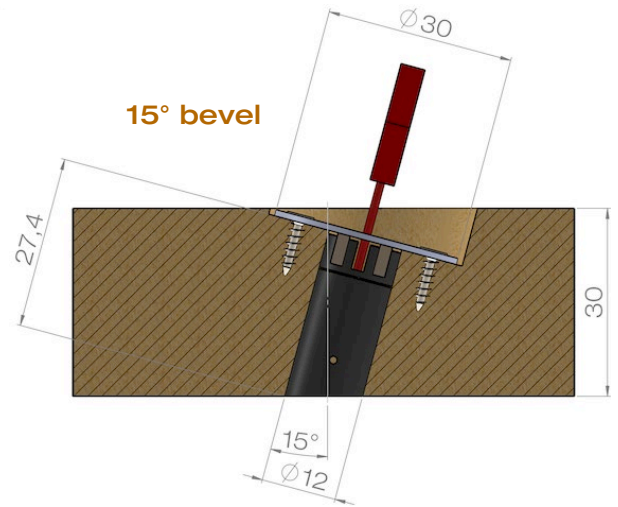
Straight tube



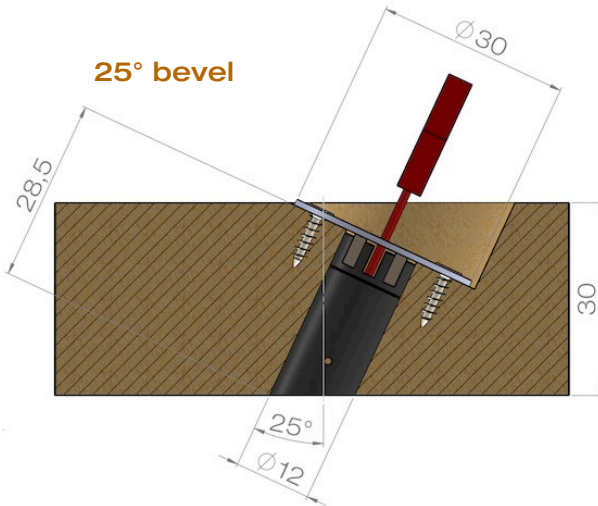
10° bevel



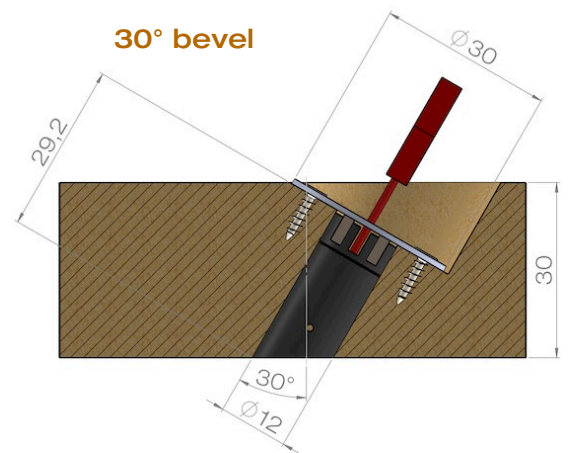
15° bevel



25° bevel



30° bevel

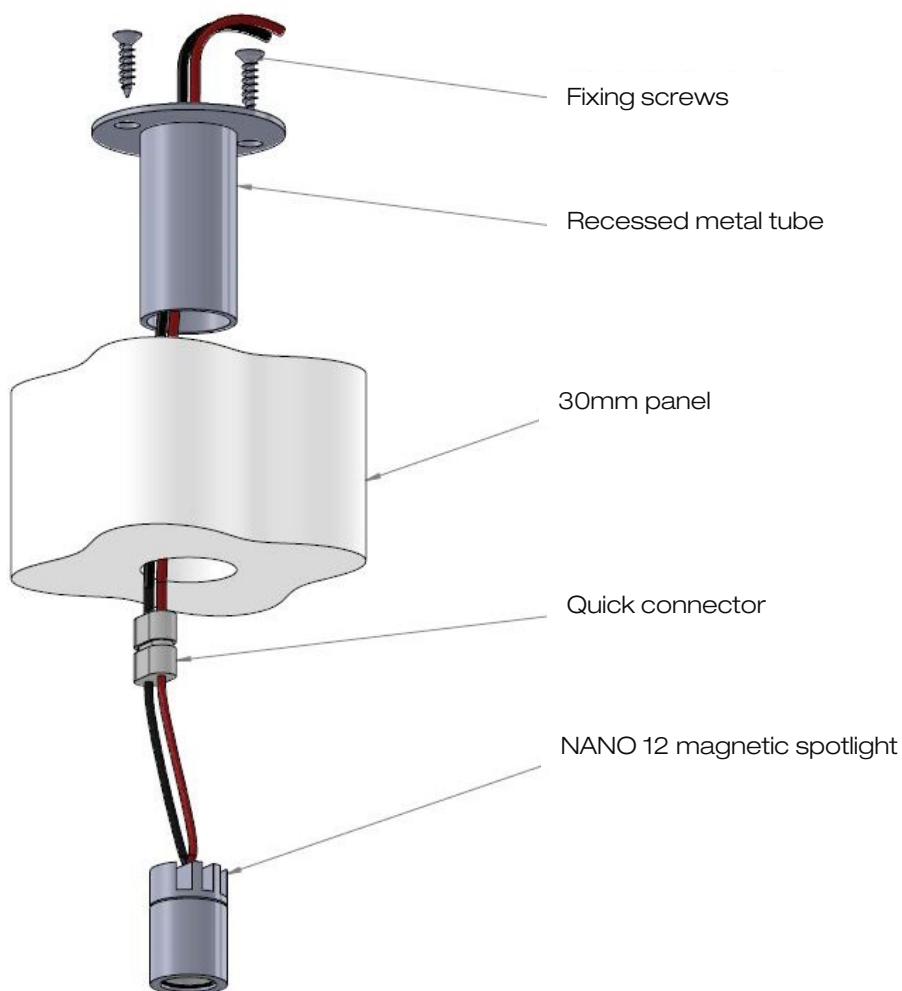
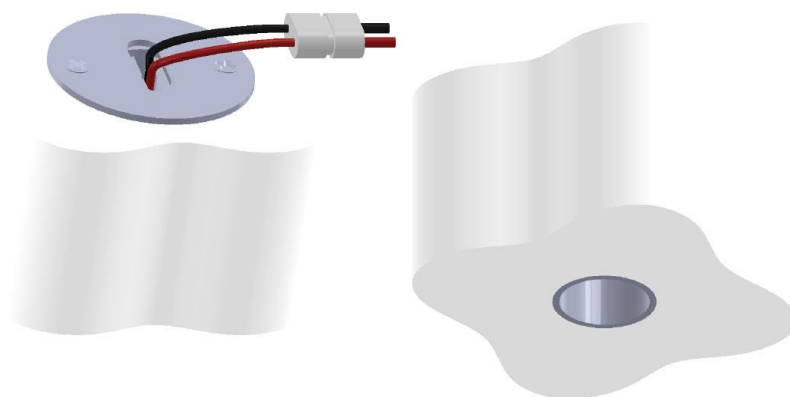


All the connections have to be made before powering up,
otherwise the luminaires could be seriously damaged.

Creation : 2021.02.16 / Last update : 2025.11.14 - R



NANO12 RECESSED MAGNETIC Low Luminance version



All the connections have to be made before powering up,
otherwise the luminaires could be seriously damaged.

Creation : 2021.02.16 / Last update : 2025.11.14 - R

LOUSS

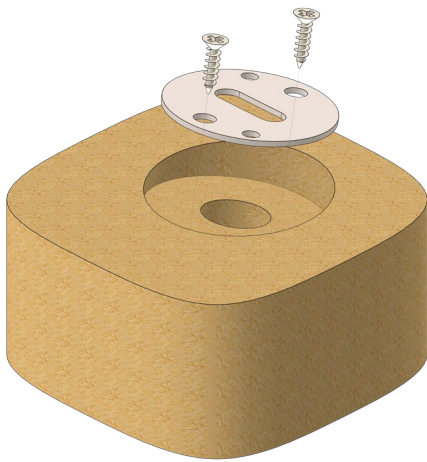
BEST SAS, Capital 200 000€
RCS Dijon B 408 483 485
TVA/VAT n° : FR94 408 483 485
APE 2612Z

Tel. : +33 380 48 65 68
contact@louss.fr
www.louss.fr
Best & LOUSS

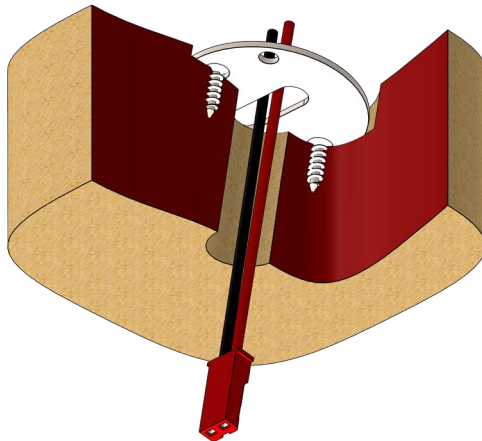
Siège social / Head Office
PA Les Terres d'Or
Route de Saint Philibert
21220 Gevrey Chambertin - FRANCE



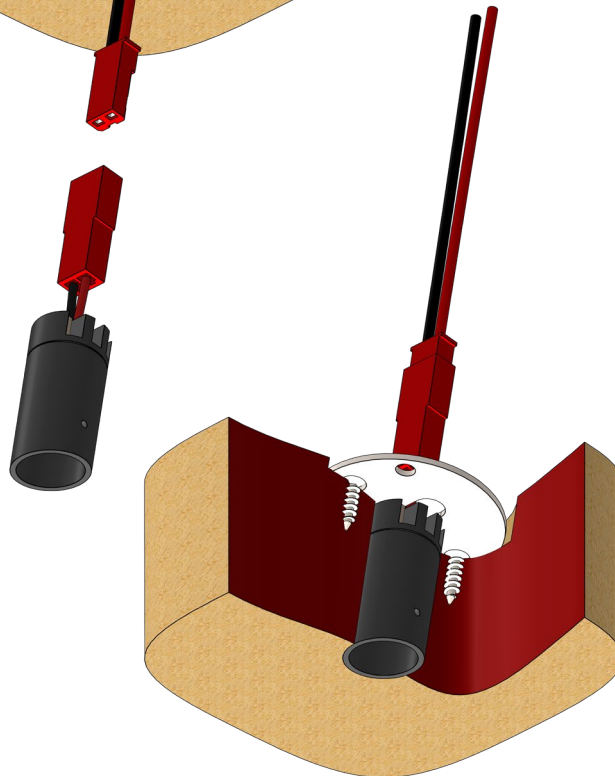
NANO12 RECESSED MAGNETIC Simple & Low Luminance versions Installation from above



- 1 Make a hole in the surface according to the diameter of the spotlight to be installed, and screw the metal plate



- 2 Insert the driver's connection, or the extension cable, through the hole
Insert the spotlight from above and connect it to the cables using the quick connectors



- 3 Pull the spotlight up in order to fix it to the metal plate thanks to the magnets

All the connections have to be made before powering up, otherwise the luminaires could be seriously damaged.

Creation : 2021.02.16 / Last update : 2025.11.14 - R

LOUSS

BEST SAS, Capital 200 000€
RCS Dijon B 408 483 485
TVA/VAT n° : FR94 408 483 485
APE 2612Z

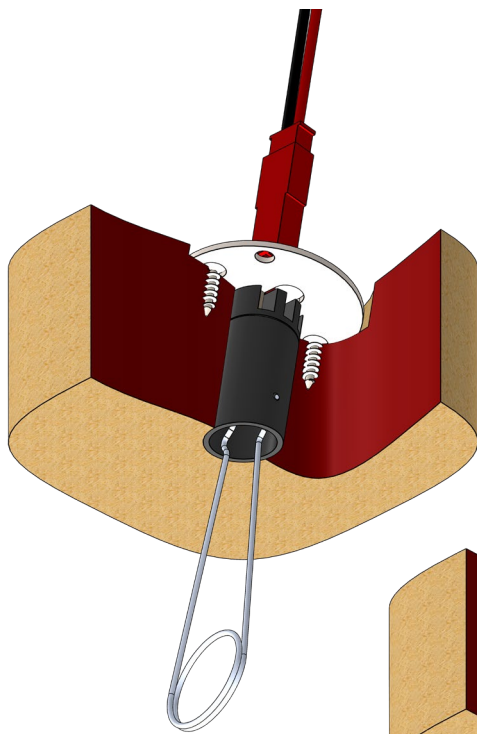
Tel. : +33 380 48 65 68
contact@louss.fr
www.louss.fr
Best & LOUSS

Siège social / Head Office
PA Les Terres d'Or
Route de Saint Philibert
21220 Gevrey Chambertin - FRANCE

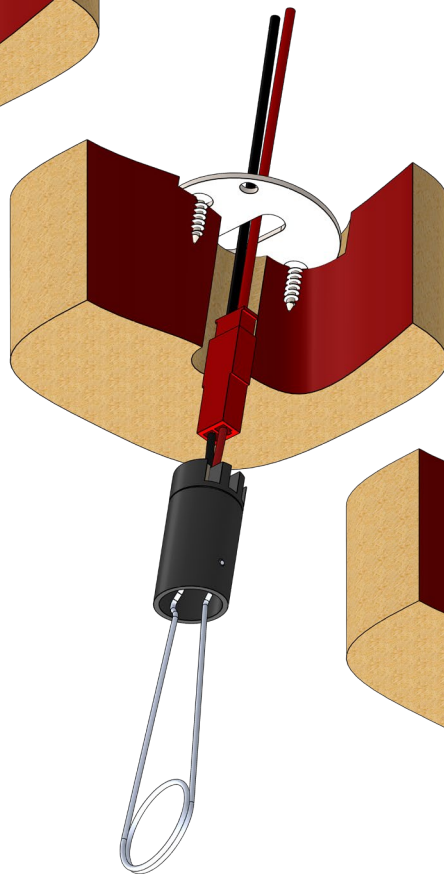
12/13



NANO12 RECESSED MAGNETIC Simple & Low Luminance Versions Replacement of a spotlight



1 Insert the extractor in the 2 holes of the spotlight



2 Pull the spotlight down thanks to the extractor, in order to remove it from its location



3 Disconnect the quick connector of the spotlight from the quick connector of the driver's cable/extension cable
Remove the spotlight

All the connections have to be made before powering up,
otherwise the luminaires could be seriously damaged.

Creation : 2021.02.16 / Last update : 2025.11.14 - R

LOUSS

BEST SAS, Capital 200 000€
RCS Dijon B 408 483 485
TVA/VAT n° : FR94 408 483 485
APE 2612Z

Tel. : +33 380 48 65 68
contact@louss.fr
www.louss.fr
Best & LOUSS

Siège social / Head Office
PA Les Terres d'Or
Route de Saint Philibert
21220 Gevrey Chambertin - FRANCE