

LOUSS

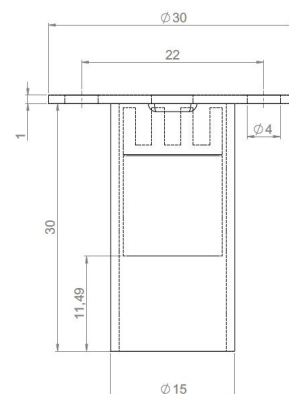
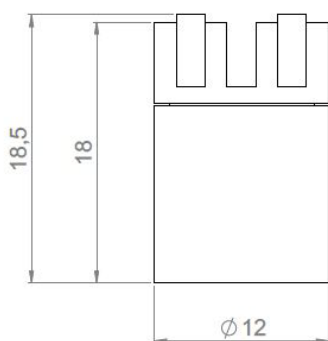
Lighting Emotion



NANO

The miniature spotlight





NANO

Range	Recessed spotlight for accent lighting
Description	Matt finish black anodized aluminium Supplied in standard or low luminance version
Dimensions	Standard version : diameter 12mm length : 18.50mm Low luminance version : diameter : 15mm length : 30mm
Net Weight	0.010 kg
LED characteristics	1 LED : 2700K - 3000K - 3500K - 4000K - 5000K MacAdam ellipse : 3SDCM CRI 92 R9>80
Optical beam	16° - 20° - 40° - 65° - 17°x49°
Connection	Delivered with 0.5m standard cable Individual connection or connection in series on external constant current driver Optional : Easy plug system (25cm cable + male & female quick connectors)
Separate power supply	≤ 500mA constant current driver
LED power	1W at 350mA
Use limitations	The product must be installed into a ventilated area. Any use with an ambient temperature higher than the specified ambient temperature (Ta) would lead to a more rapid mortality of the product and the withdrawal of our guarantees. The drivers, if not delivered by LOuss, must be approved before use.
Warranty	Life span: L80B10 at 50,000 hours (80% remaining flux) at 25°C ambient temperature. 3-year parts and labour warranty. The warranty does not apply to products that have been opened, modified or repaired and does not cover the effects of a wrong connection, careless, abusive handling, overvoltage, lighting injury, as well as the normal wear of the product. All products are electrically tested and received a functional burn-in.

All the connections have to be made before powering up,
otherwise the luminaires could be seriously damaged.

LOuss

Last update : 16/03/2021

Firalux & LOuss brands

SARL, Capital 40 000€
RCS DIJON B 503 367 245
TVA/VAT n°: FR24 503 367 245
APE 4676Z

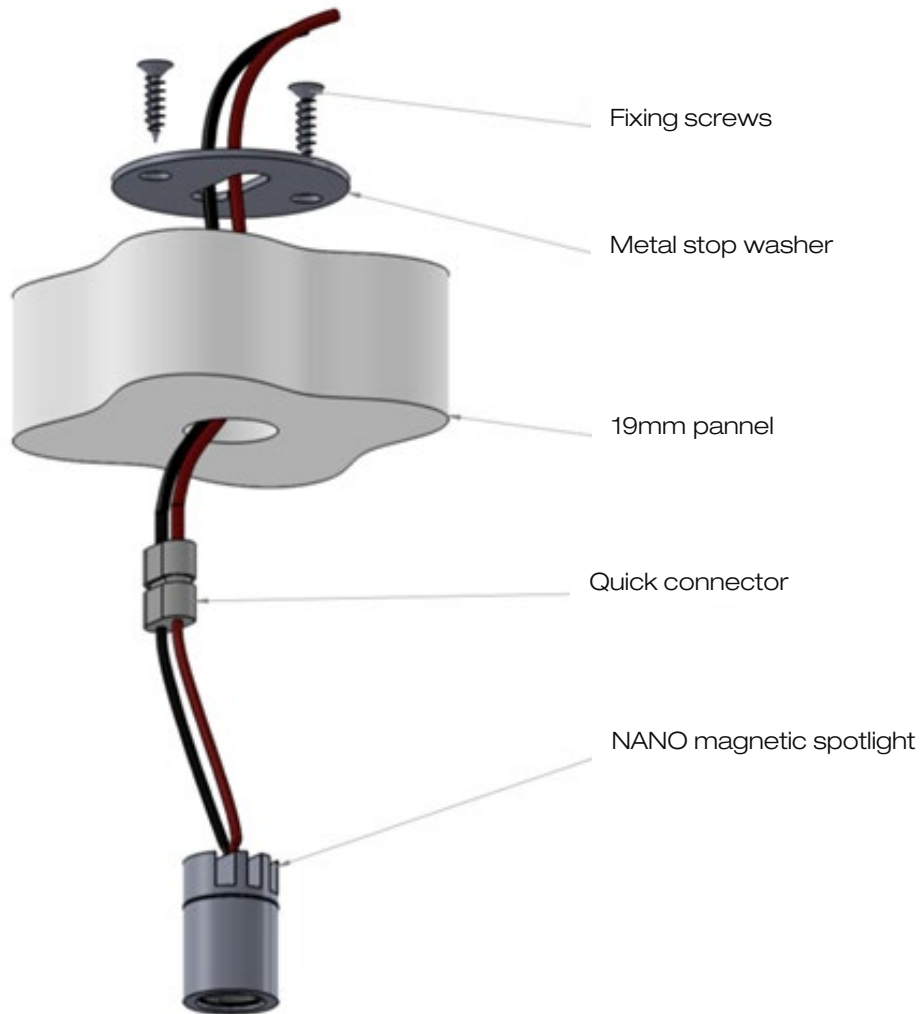
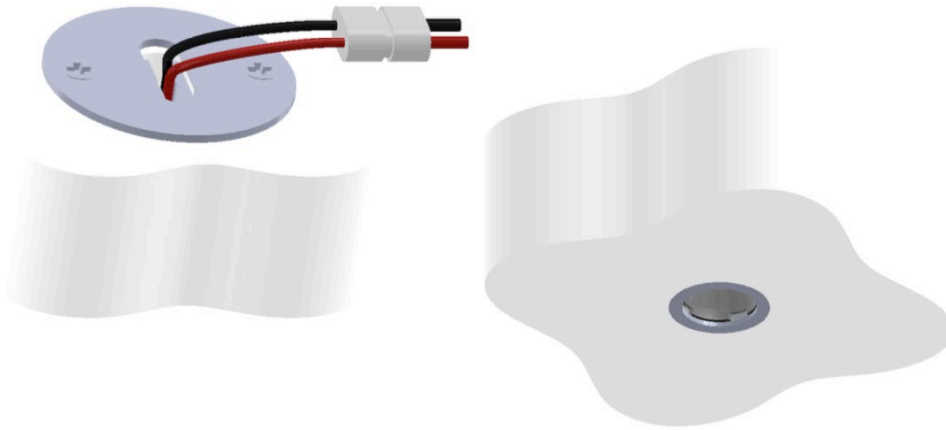
Tel. : +33 380 48 65 68
contact@louss.fr
www.louss.fr
Best group

Siège social / Head Office
PA Les Terres d'Or
Route de Saint Philibert
21220 Gevrey Chambertin - FRANCE



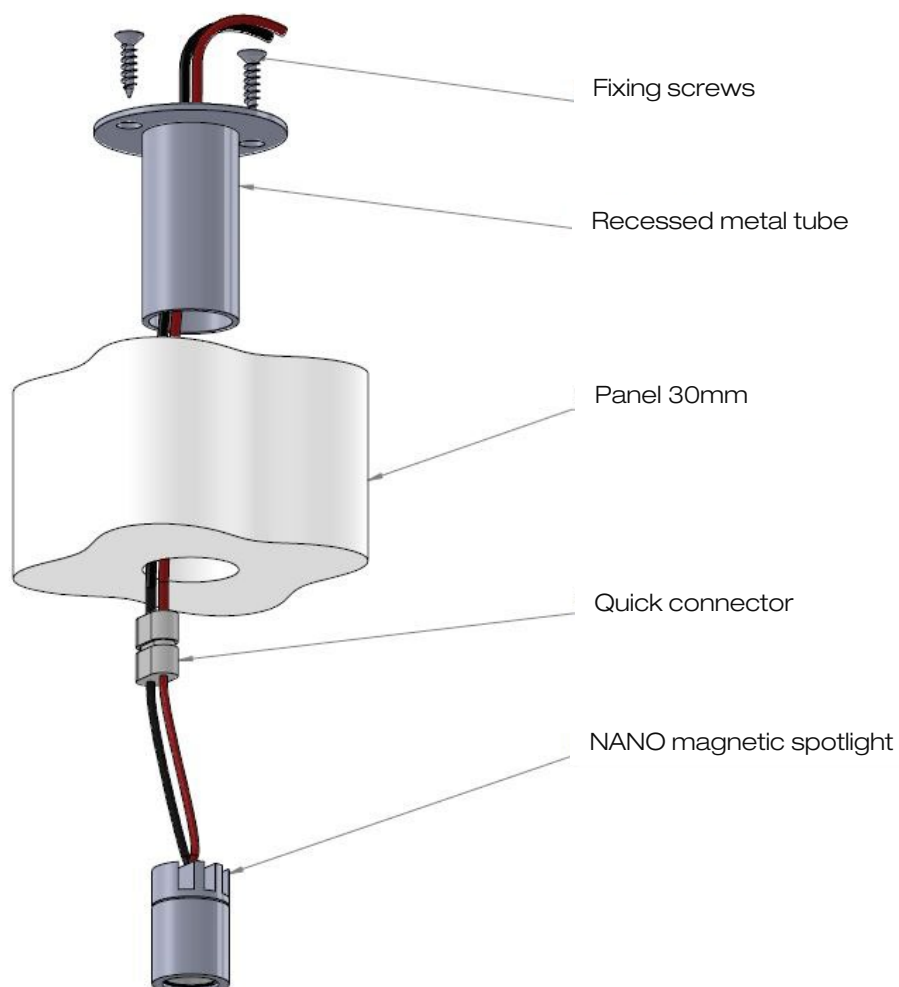
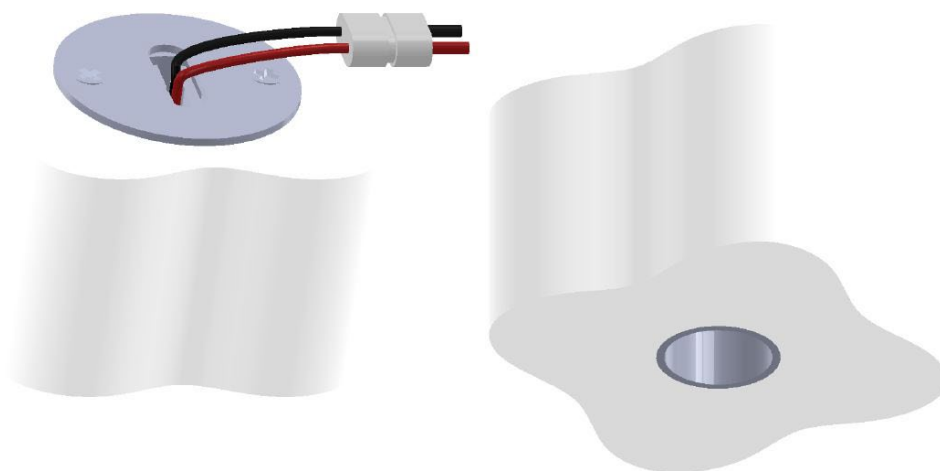
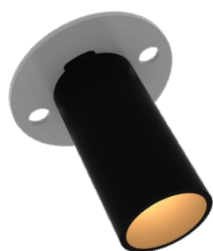
NANO

Standard version



NANO

Low luminance version



LOUSS

Last update : 16/03/2021

Firalux & LOUSS brands

SARL, Capital 40 000€
RCS DIJON B 503 367 245
TVA/VAT n°: FR24 503 367 245
APE 4676Z

Tel. : +33 380 48 65 68
contact@louss.fr
www.louss.fr
Best group

Siège social / Head Office
PA Les Terres d'Or
Route de Saint Philibert
21220 Gevrey Chambertin - FRANCE