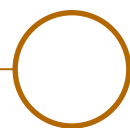


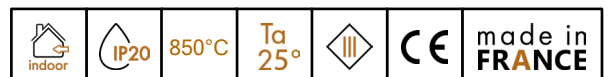
LOUSS

Lighting Emotion



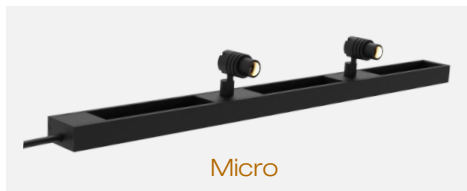
MINITRACK

The multipurpose minitrack

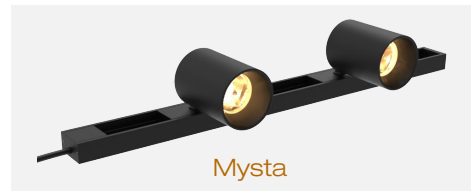




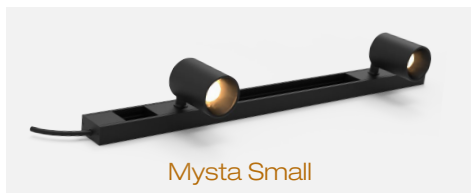
Aurore D22



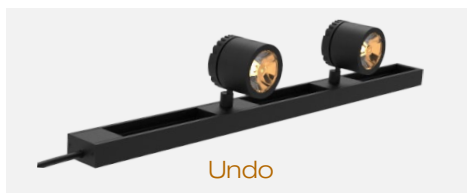
Micro



Mysta



Mysta Small



Undo



V25

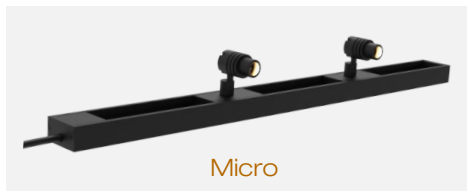
MINITRACK

Range	Luminaires on track for ambient or accent lighting	
Description	Track 4 conductors 5A max - 24V - 120W max. + 2 PWM channels 3 possibilities of fixing devices : magnets, adhesive tape, screws (not supplied) Equipped with AURORE D22 , MICRO , MYSTA , MYSTA SMALL , UNDO , V25 spotlights, or a combination of any of these luminaires with a maximum of 1 kg of luminaires per meter of track MYSTA : Easily changeable LED, optics and accessories on site, without any tool, with optional integrated Easy Swap system (see page 8)	
Finish	Track : Black or natural anodized Micro, Undo, V25 : Black or natural anodized Aurore D22, Mysta : Black RAL 9005 or White RAL 9003 (other upon request)	
Dimensions Spotlights	AURORE D22	MICRO
	Diameter : 22mm Length : 50mm Plug-in module : 45mm	Diameter : 17mm Length : 18mm (Simple) 24.5mm (Low Luminance) Plug-in module : 45mm
	MYSTA	MYSTA SMALL
	Diameter : 46mm Length : 64mm Plug-in module : 58mm	Diameter : 35mm Length : 49mm Plug-in module : 58mm
	UNDO	V25
	Diameter : 39.50mm Length : 37.10mm (Simple) 40.40mm (Simple+accessories) 52.10mm (Low Luminance) 55.40mm (L.L + accessories) Plug-in module : 45mm	Diameter : 25mm Length : 37mm Plug-in module : 45mm
Dimensions Track	Width : 29mm Height : 16mm Length : 100mm to 2500mm according to version	
LED characteristics	2200K - 2700K - 3000K - 3500K - 4000K - 5000K (other upon request) CRI 90 - 95 R9>80	

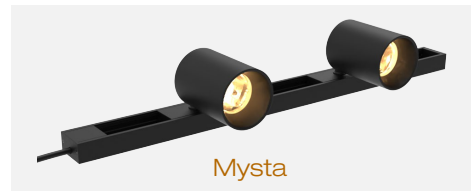
All the connections have to be made before powering up, otherwise the luminaires could be seriously damaged



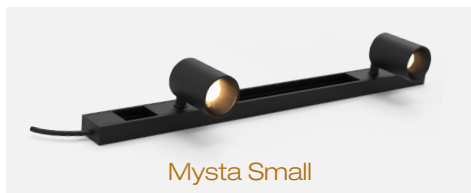
Aurore D22



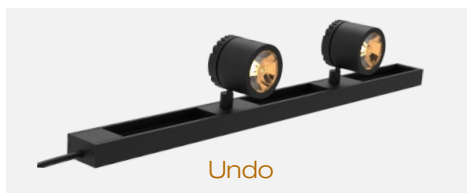
Micro



Mysta



Mysta Small



Undo



V25

MINITRACK

Optics	AURORE D22		MICRO	
	10° - 15° - 20° - 25° - 40° - Elliptical		16° - 20° - 40° - 65° - 17°x49°	
	MYSTA		MYSTA SMALL	
	11° - 16° - 20° - 23° - 34° - 43°		15° - 25° - 35°	
	UNDO		V25	
	3° - 6° - 11° - 17° - 20° - 25° - 30° - 40° - 60° Asymmetrical	CRI 92	10° - 12° - 18° - 24° - 36° - 40° - 54° - 60° - Elliptical Caution: The luminous border is poorly defined with 10° or 12° optics	
		CRI 95	15° - 17° - 25° - 31° - 36° - 40° - 57° Elliptical	
Accessories	Filters, honeycomb grid upon request			
LED Power	AURORE D22		MICRO	
	1.70W max.		1.70W max.	
	MYSTA		MYSTA SMALL	
	10W max.		4W or 5W max. according to version	
	UNDO		V25	
	8W max.		2.70W max.	
Connection	Supplied with 0.5m cable (more length upon request)			
Separate power supply	24V remote constant current driver with PWM (2 channels) For the US & Canada, use UL class 2 driver			
Use limitations	The product must be installed into a ventilated area Any use with an ambient temperature higher than the specified ambient temperature (Ta) would lead to a more rapid mortality of the product and the withdrawal of our guarantees The drivers, if not delivered by LOuss, must be approved before use IP rating : 20			
Warranty	Life span: L80B10 at 50,000 hours (80% remaining flux) at 25°C ambient temperature 3-year parts and labour warranty The warranty does not apply to products that have been opened, modified or repaired and does not cover the effects of a wrong connection, careless, abusive handling, overvoltage, lighting injury, as well as the normal wear of the product All products are electrically tested and received a functional burn-in			

All the connections have to be made before powering up,
otherwise the luminaires could be seriously damaged

Creation : 2026.10.17 / Last update : 2026.04.08

LOuss

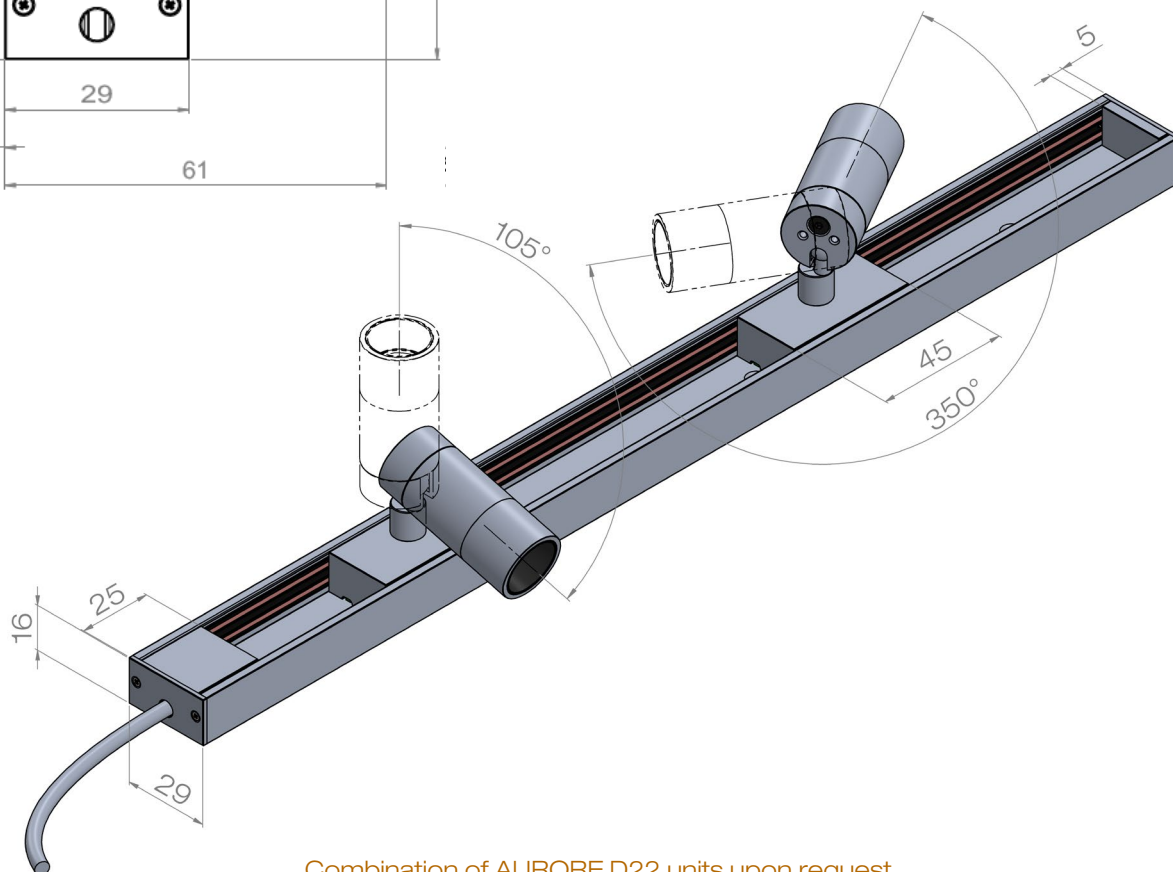
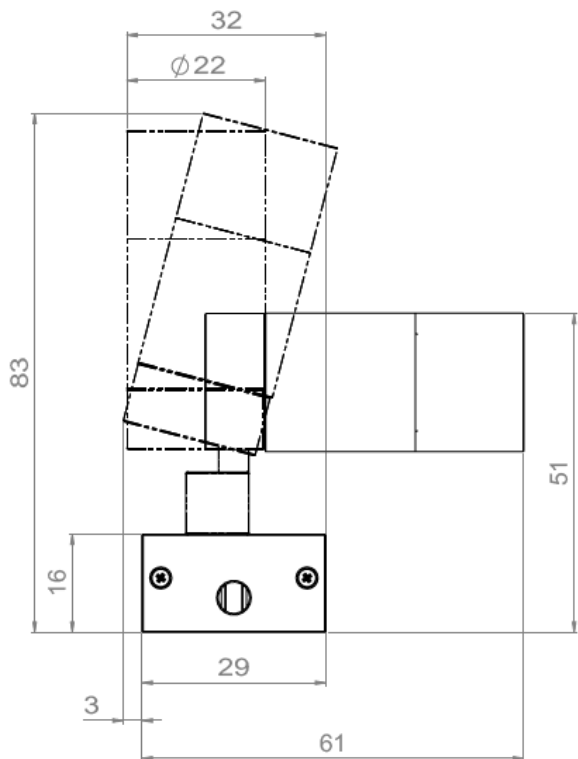
BEST SAS, Capital 200 000€
RCS Dijon B 408 483 485
TVA/VAT n° : FR94 408 483 485
APE 2612Z

Tel. : +33 380 48 65 68
contact@louss.fr
www.louss.fr
Best & LOuss

Siège social / Head Office
PA Les Terres d'Or
Route de Saint Philibert
21220 Gevrey Chambertin - FRANCE



MINITRACK AURORE D22



Combinaison de AURORE D22 units upon request
Up to 120W on 2500mm max. 24V track

All the connections have to be made before powering up,
otherwise the luminaires could be seriously damaged

Creation : 2026.10.17 / Last update : 2026.04.08

LOUSS

BEST SAS, Capital 200 000€
RCS Dijon B 408 483 485
TVA/VAT n° : FR94 408 483 485
APE 2612Z

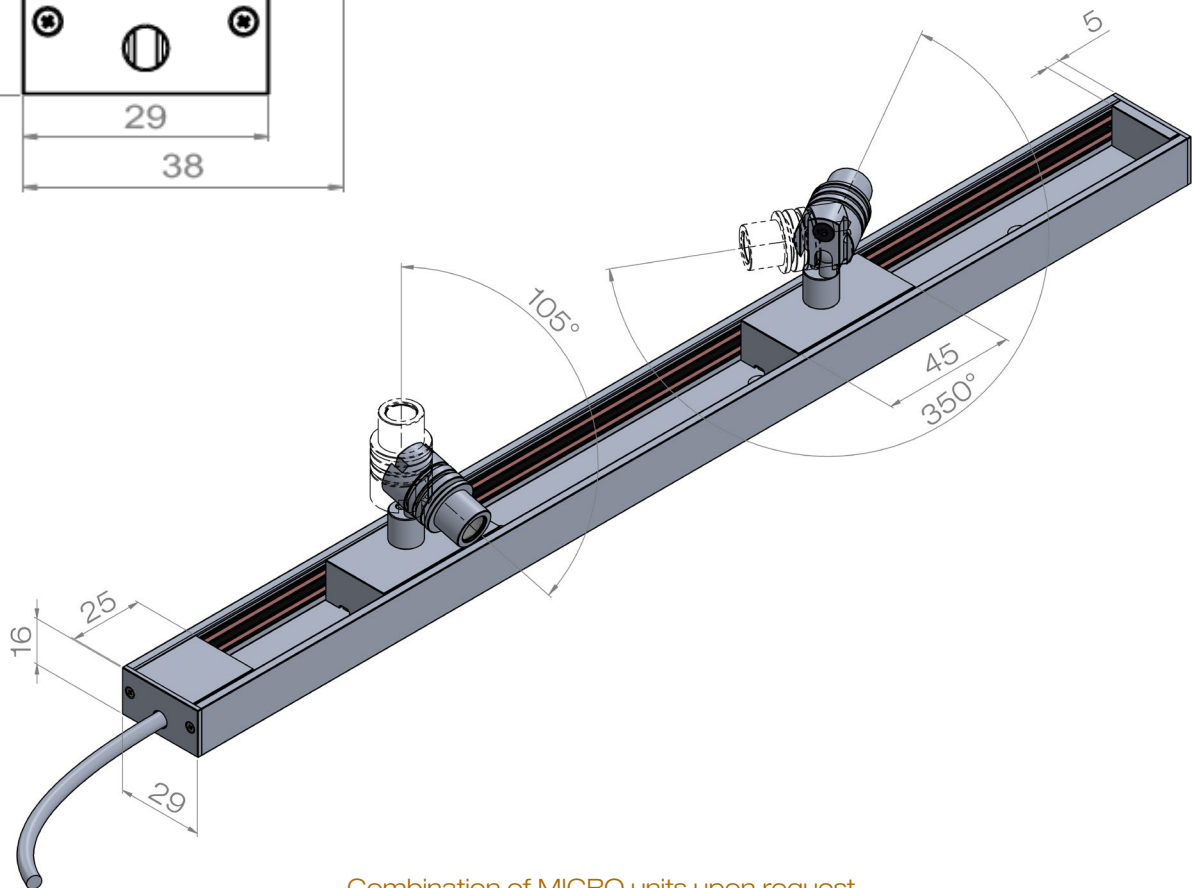
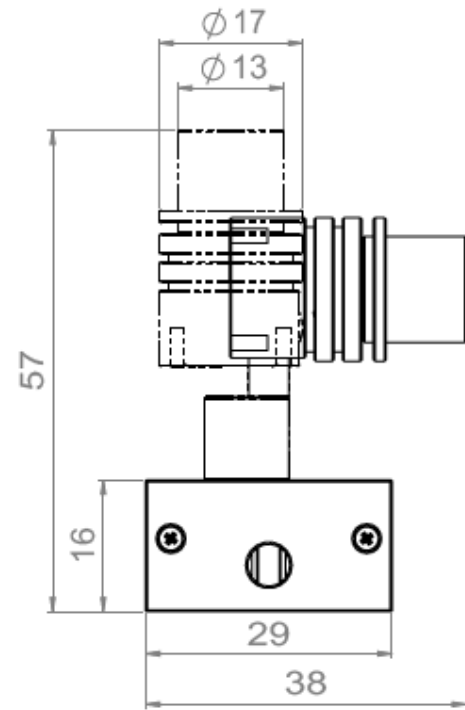
Tel. : +33 380 48 65 68
contact@louss.fr
www.louss.fr
Best & LOUSS

Siège social / Head Office
PA Les Terres d'Or
Route de Saint Philibert
21220 Gevrey Chambertin - FRANCE



MINITRACK MICRO

Simple version



Combination of MICRO units upon request
Up to 120W on 2500mm max. 24V track

All the connections have to be made before powering up,
otherwise the luminaires could be seriously damaged

Creation : 2026.10.17 / Last update : 2026.04.08

LOUSS

BEST SAS, Capital 200 000€
RCS Dijon B 408 483 485
TVA/VAT n° : FR94 408 483 485
APE 2612Z

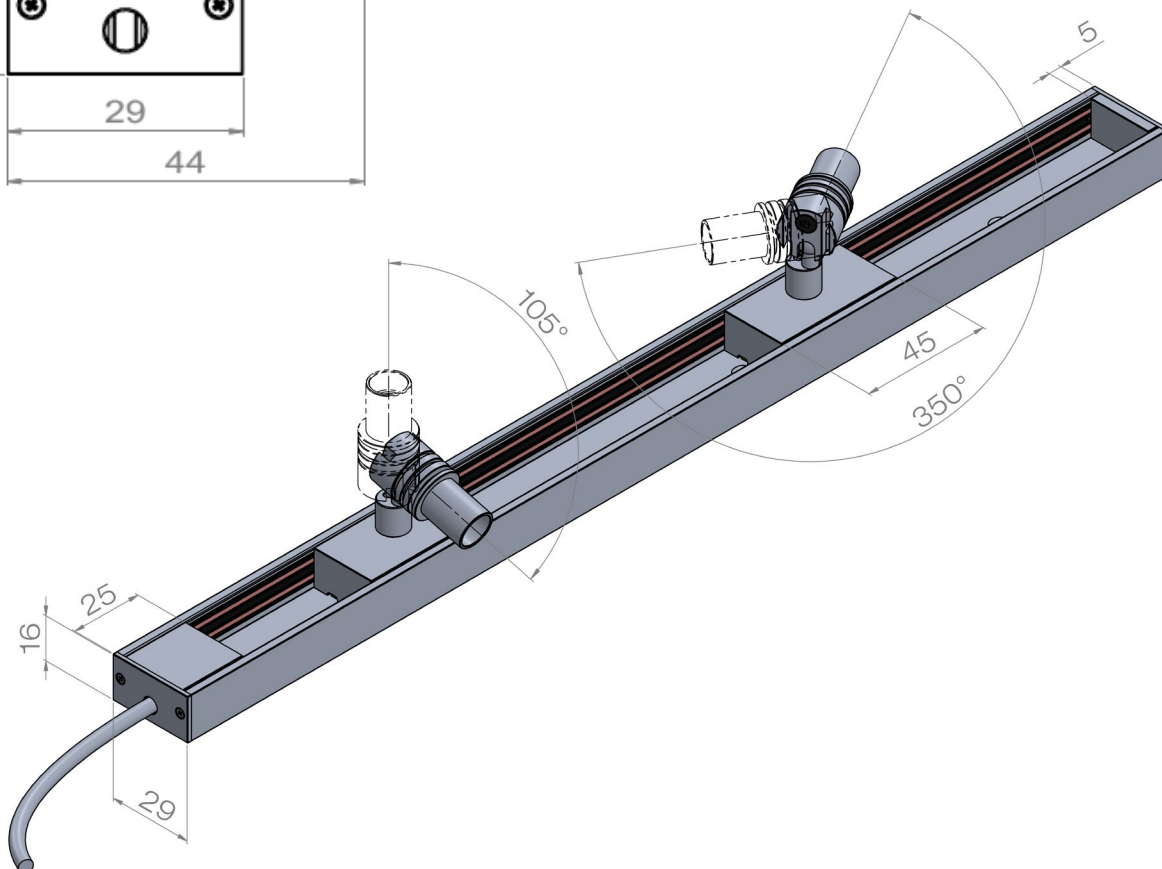
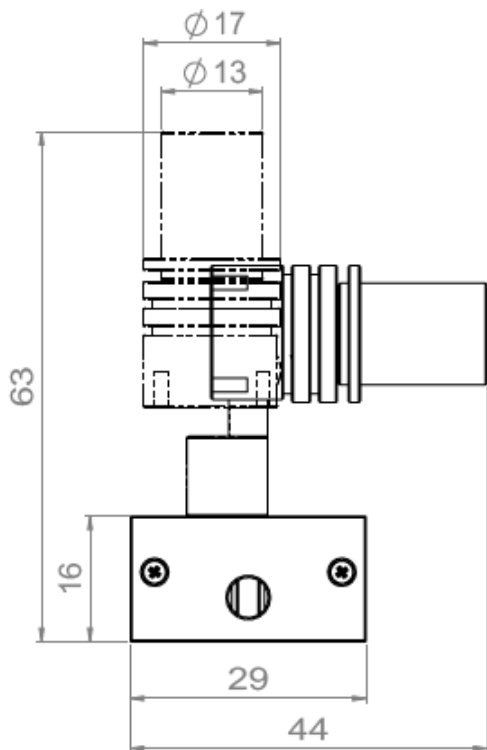
Tel. : +33 380 48 65 68
contact@louss.fr
www.louss.fr
Best & LOUSS

Siège social / Head Office
PA Les Terres d'Or
Route de Saint Philibert
21220 Gevrey Chambertin - FRANCE



MINITRACK MICRO

Low Luminance version



Combination of MICRO units upon request
Up to 120W on 2500mm max. 24V track

All the connections have to be made before powering up,
otherwise the luminaires could be seriously damaged

Creation : 2026.10.17 / Last update : 2026.04.08

LOUSS

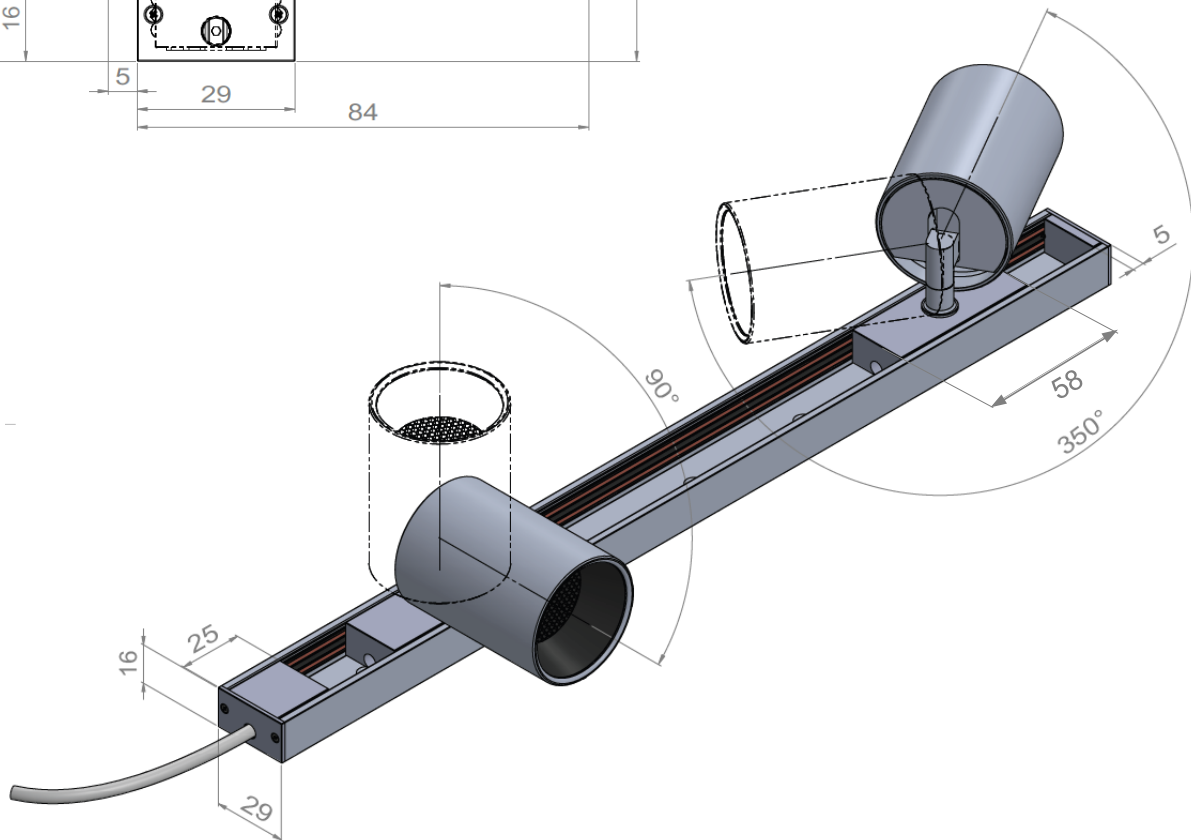
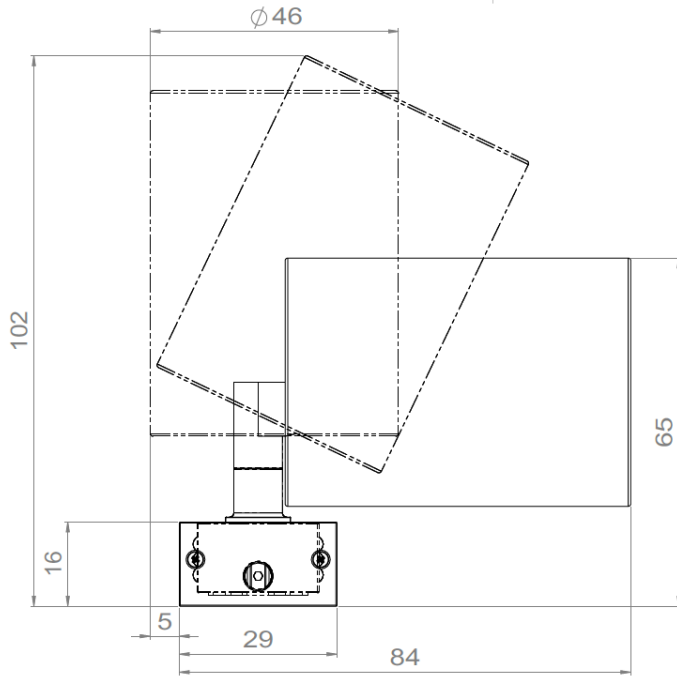
BEST SAS, Capital 200 000€
RCS Dijon B 408 483 485
TVA/VAT n° : FR94 408 483 485
APE 2612Z

Tel. : +33 380 48 65 68
contact@louss.fr
www.louss.fr
Best & LOUSS

Siège social / Head Office
PA Les Terres d'Or
Route de Saint Philibert
21220 Gevrey Chambertin - FRANCE



MINITRACK MYSTA



Combination of MYSTA units upon request
Up to 120W on 2500mm max. 24V track

All the connections have to be made before powering up,
otherwise the luminaires could be seriously damaged

Creation : 2026.10.17 / Last update : 2026.04.08

LOUSS

BEST SAS, Capital 200 000€
RCS Dijon B 408 483 485
TVA/VAT n° : FR94 408 483 485
APE 2612Z

Tel. : +33 380 48 65 68
contact@louss.fr
www.louss.fr
Best & LOUSS

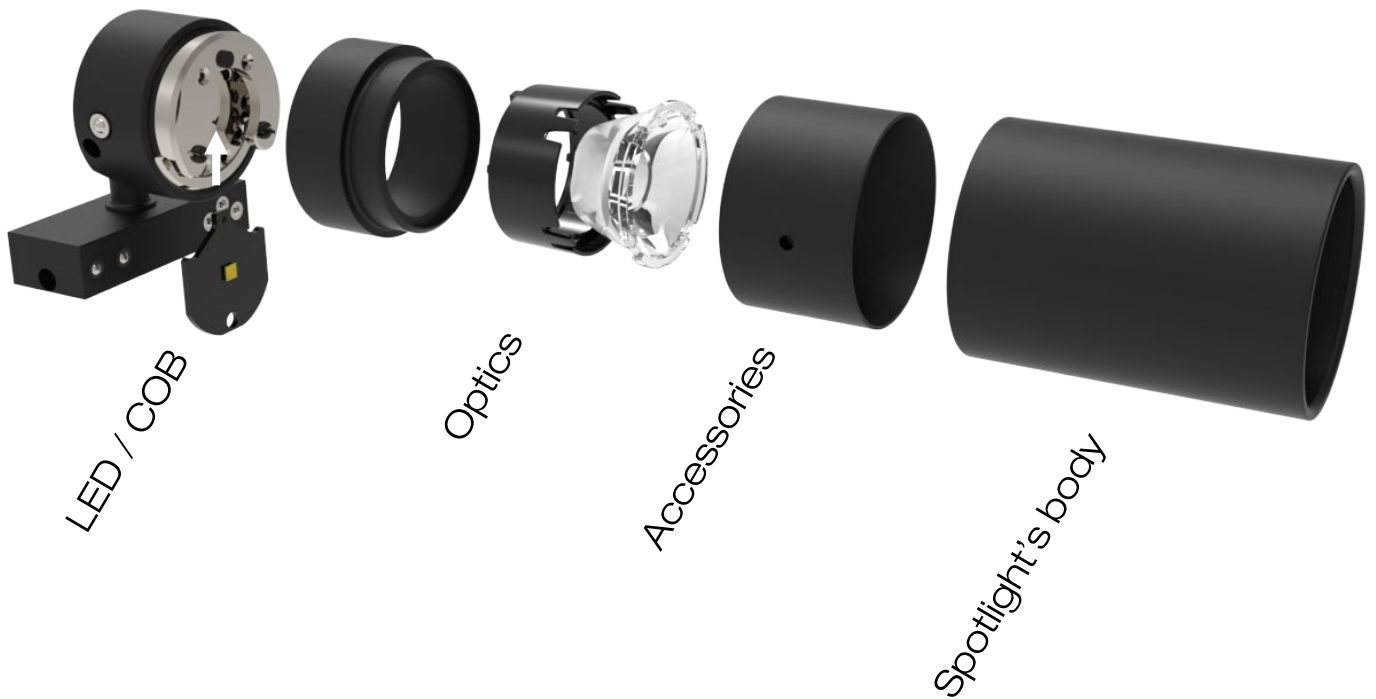
Siège social / Head Office
PA Les Terres d'Or
Route de Saint Philibert
21220 Gevrey Chambertin - FRANCE

7/18



MINITRACK MYSTA

Easy Swap system



All the connections have to be made before powering up,
otherwise the luminaires could be seriously damaged

Creation : 2026.10.17 / Last update : 2026.04.08

LOUSS

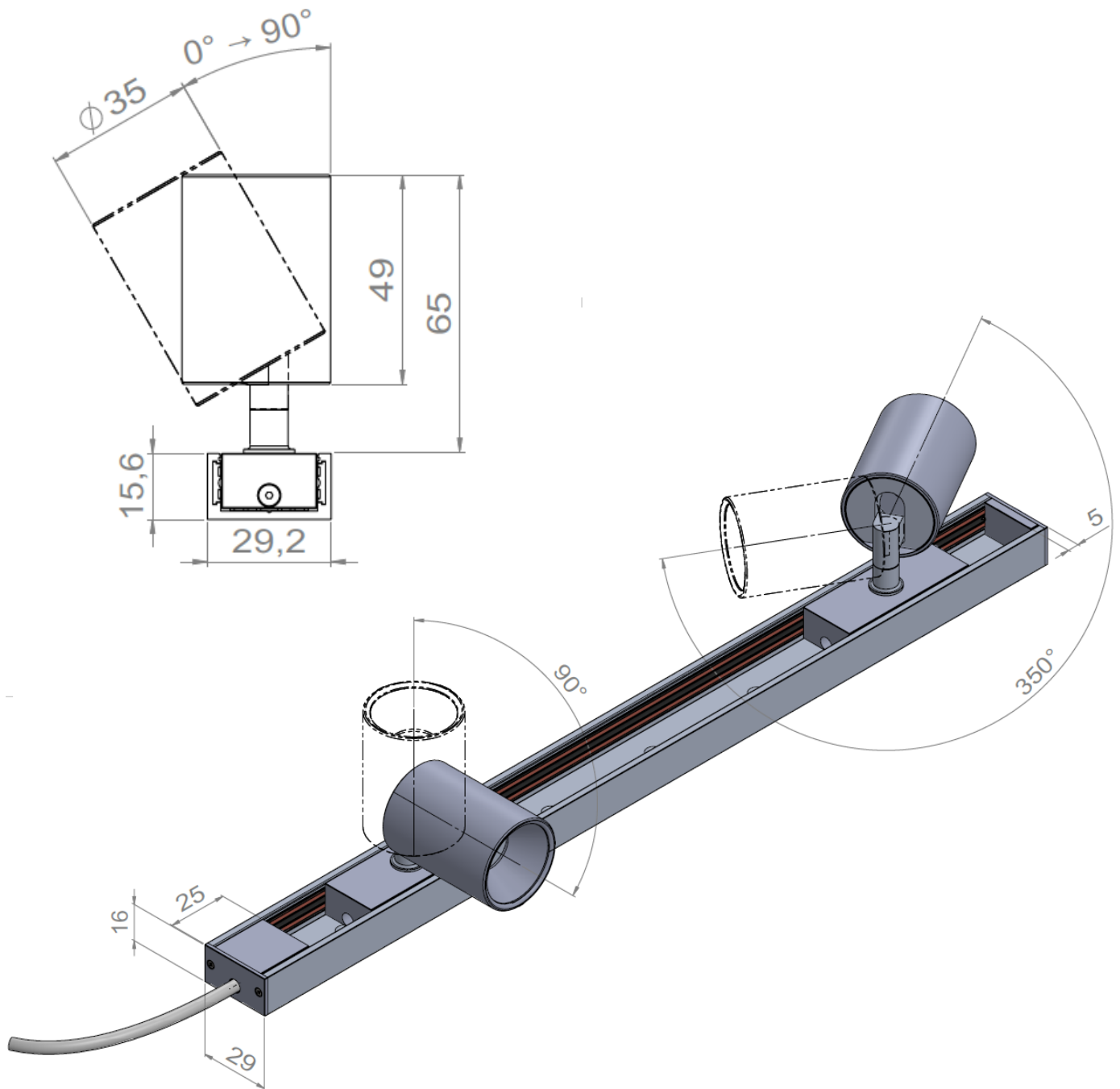
BEST SAS, Capital 200 000€
RCS Dijon B 408 483 485
TVA/VAT n° : FR94 408 483 485
APE 2612Z

Tel. : +33 380 48 65 68
contact@louss.fr
www.louss.fr
Best & LOUSS

Siège social / Head Office
PA Les Terres d'Or
Route de Saint Philibert
21220 Gevrey Chambertin - FRANCE



MINITRACK MYSTA SMALL



Combination of MYSTA SMALL units upon request
Up to 120W on 2500mm max. 24V track

All the connections have to be made before powering up,
otherwise the luminaires could be seriously damaged

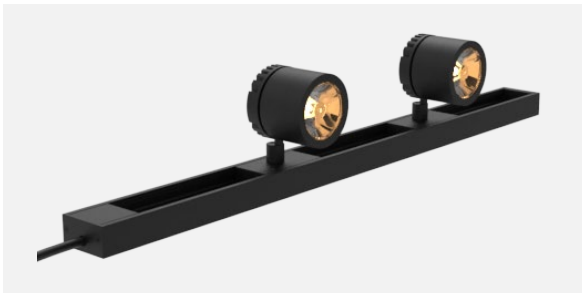
Creation : 2026.10.17 / Last update : 2026.04.08

LOUSS

BEST SAS, Capital 200 000€
RCS Dijon B 408 483 485
TVA/VAT n° : FR94 408 483 485
APE 2612Z

Tel. : +33 380 48 65 68
contact@louss.fr
www.louss.fr
Best & LOUSS

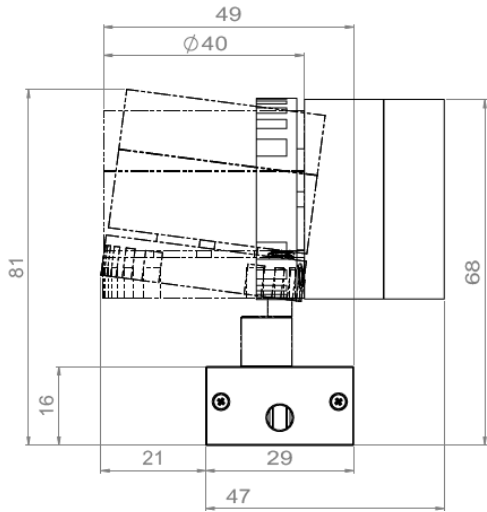
Siège social / Head Office
PA Les Terres d'Or
Route de Saint Philibert
21220 Gevrey Chambertin - FRANCE



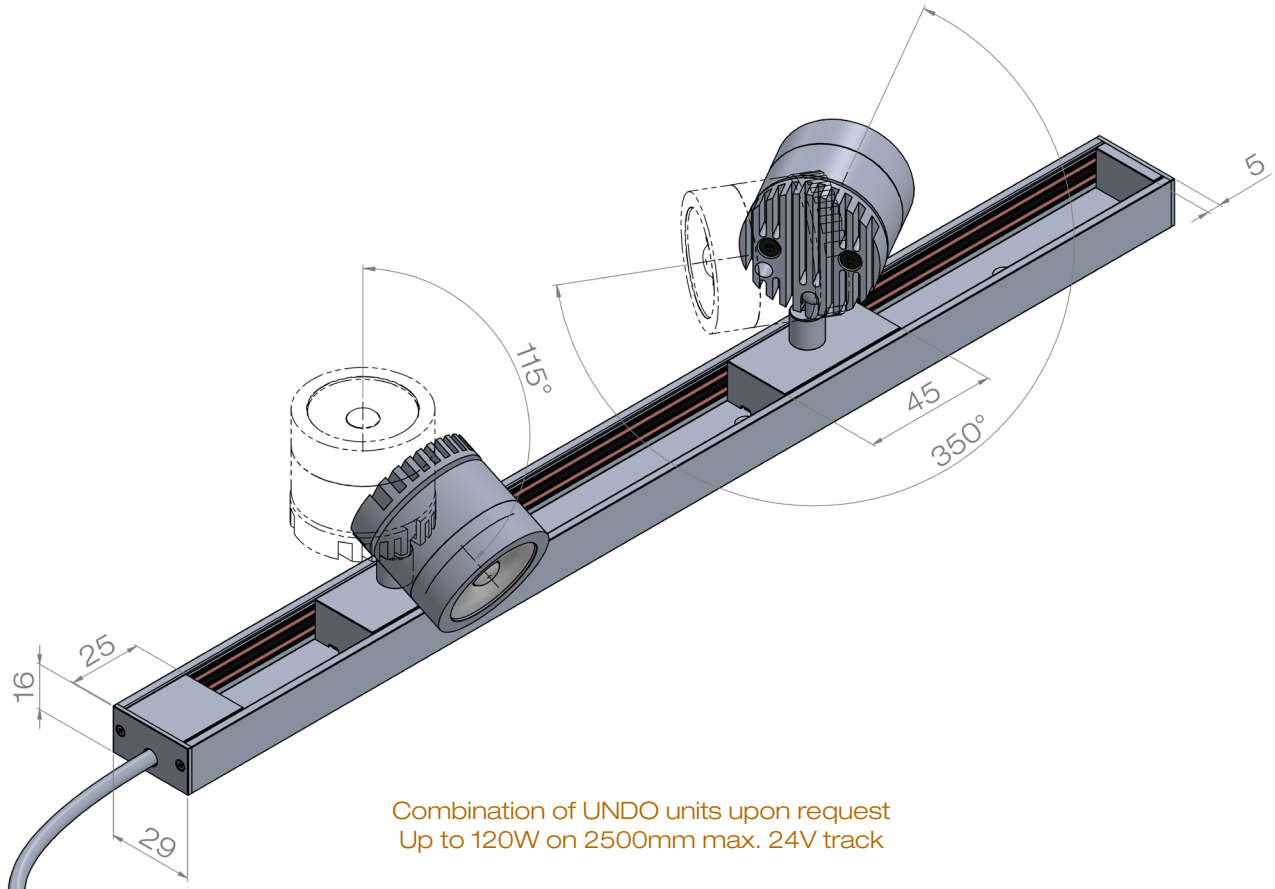
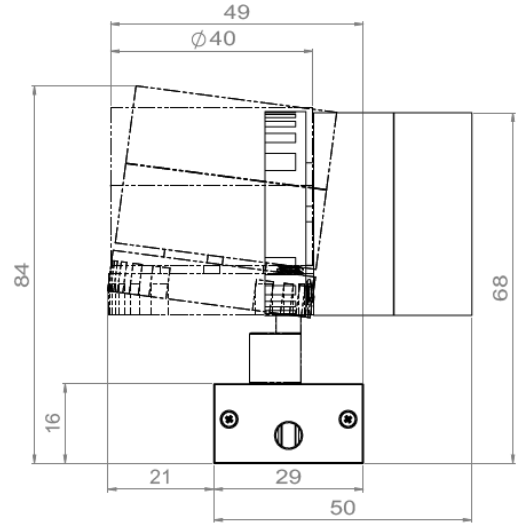
MINITRACK UNDO

Simple version

Without accessories



With accessories



Combination of UNDO units upon request
Up to 120W on 2500mm max. 24V track

All the connections have to be made before powering up,
otherwise the luminaires could be seriously damaged

Creation : 2026.10.17 / Last update : 2026.04.08

LOUSS

BEST SAS, Capital 200 000€
RCS Dijon B 408 483 485
TVA/VAT n° : FR94 408 483 485
APE 2612Z

Tel. : +33 380 48 65 68
contact@louss.fr
www.louss.fr
Best & LOUSS

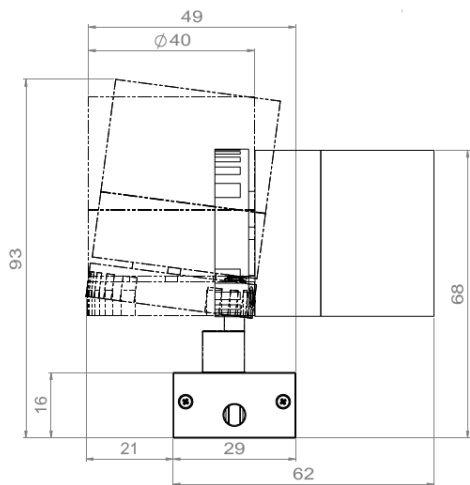
Siège social / Head Office
PA Les Terres d'Or
Route de Saint Philibert
21220 Gevrey Chambertin - FRANCE



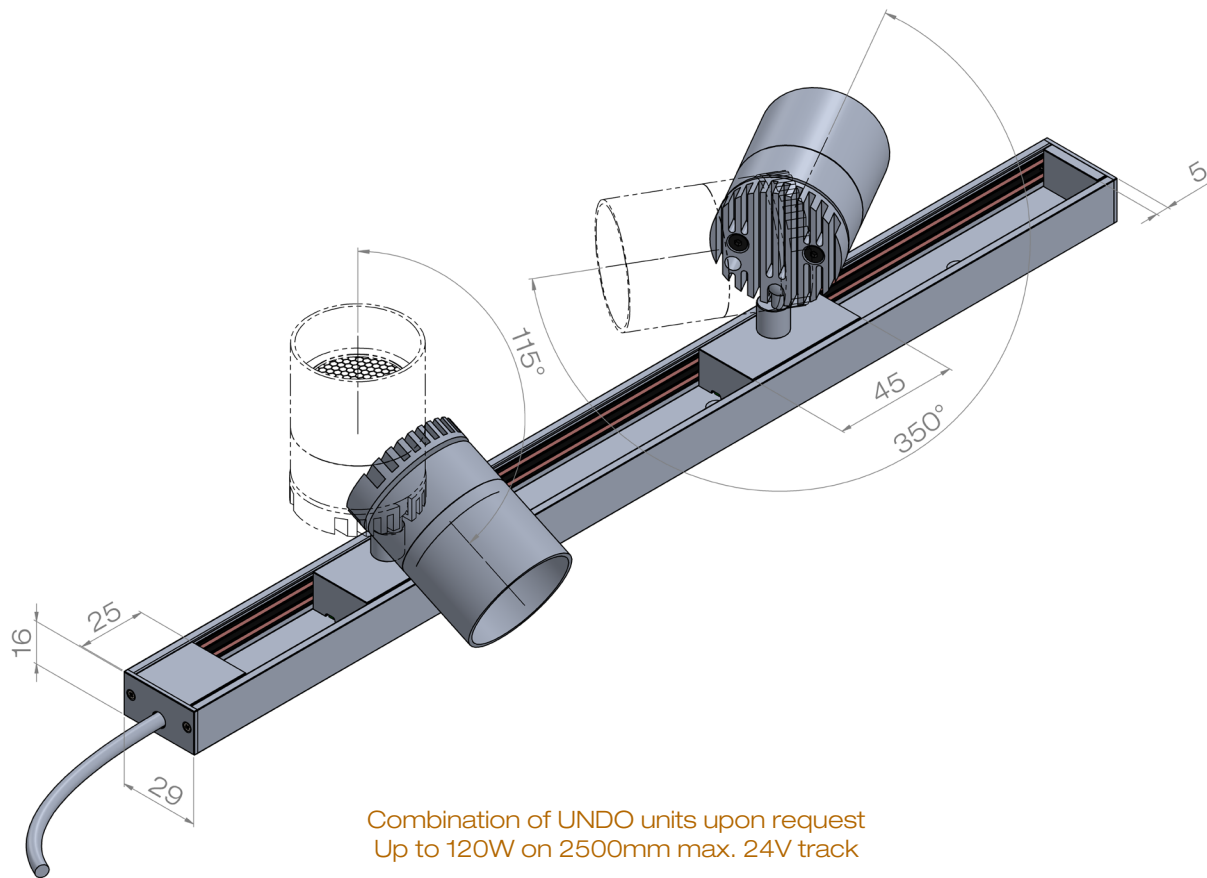
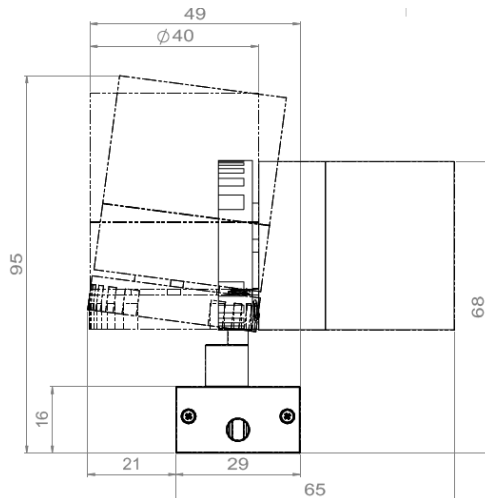
MINITRACK UNDO

Low Luminance version

Without accessories



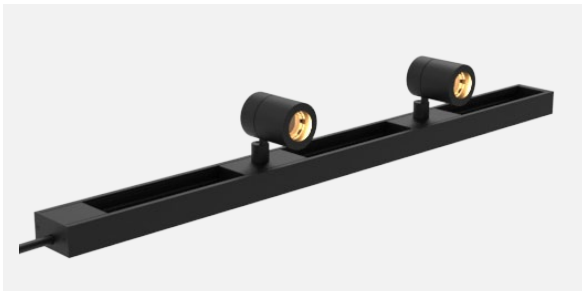
With accessories



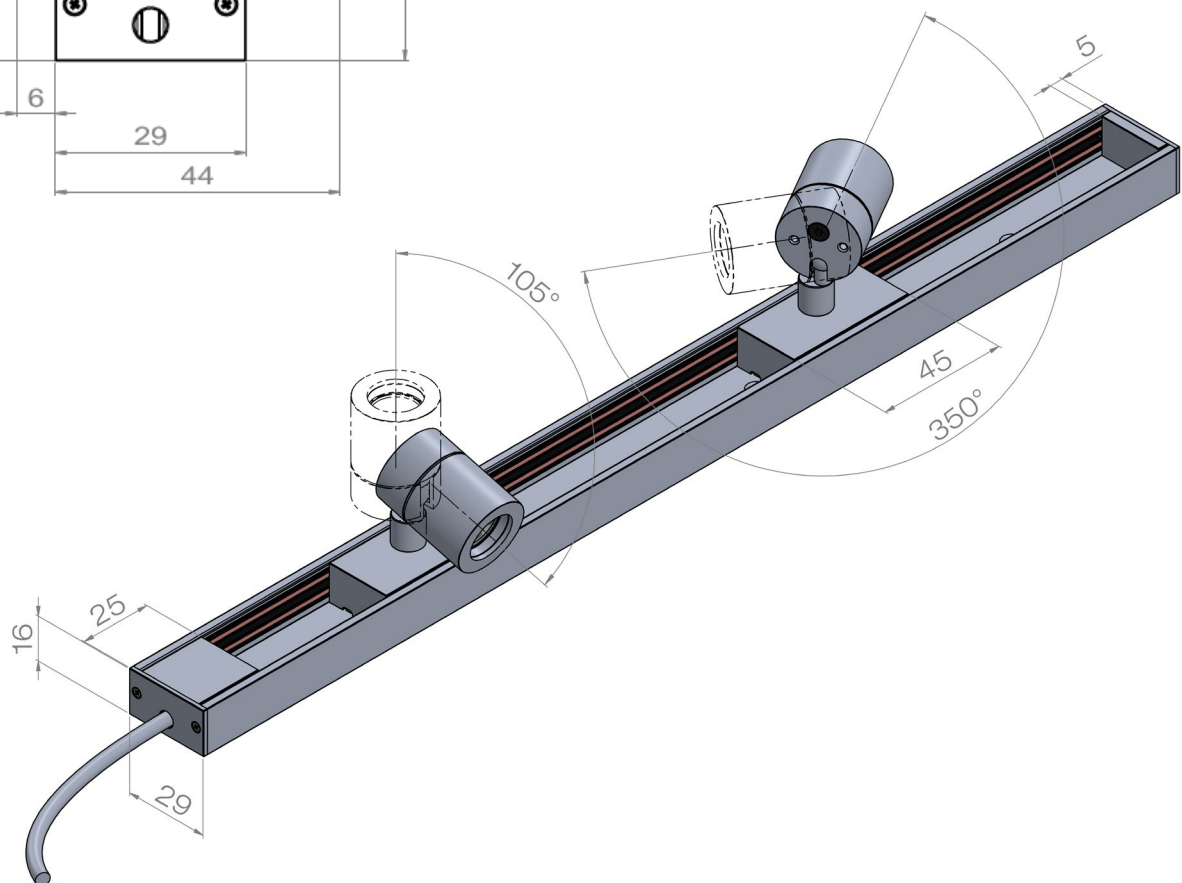
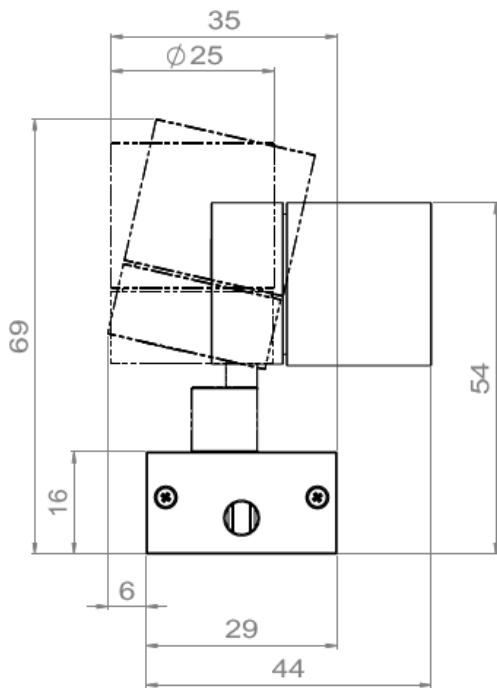
Combination of UNDO units upon request
Up to 120W on 2500mm max. 24V track

All the connections have to be made before powering up,
otherwise the luminaires could be seriously damaged

Creation : 2026.10.17 / Last update : 2026.04.08



MINITRACK V25



Combination of V25 units upon request
Up to 120W on 2500mm max. 24V track

All the connections have to be made before powering up,
otherwise the luminaires could be seriously damaged

Creation : 2026.10.17 / Last update : 2026.04.08

LOUSS

BEST SAS, Capital 200 000€
RCS Dijon B 408 483 485
TVA/VAT n° : FR94 408 483 485
APE 2612Z

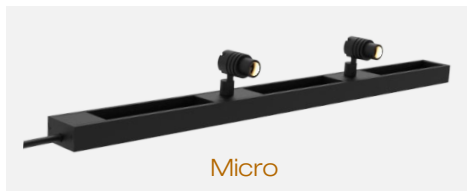
Tel. : +33 380 48 65 68
contact@louss.fr
www.louss.fr
Best & LOUSS

Siège social / Head Office
PA Les Terres d'Or
Route de Saint Philibert
21220 Gevrey Chambertin - FRANCE

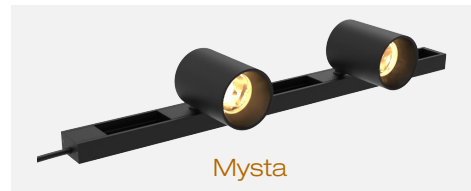
12/18



Aurore D22



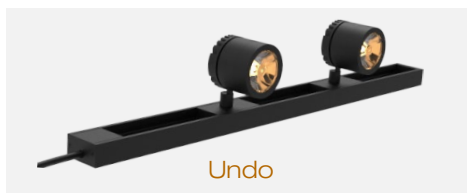
Micro



Mysta



Mysta Small



Undo

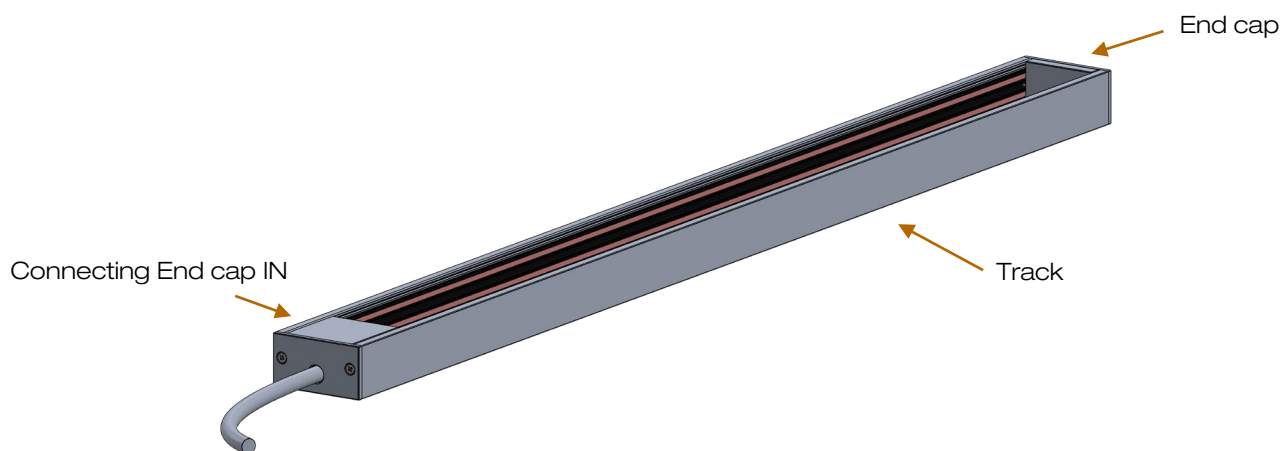


V25

MINITRACK

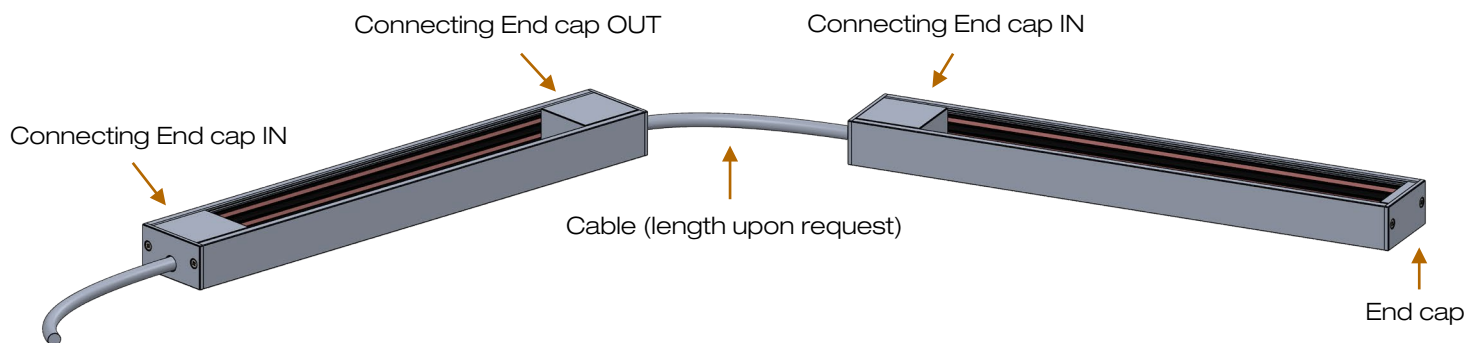
Individual Track version

1 MiniTrack - 120W max. per connecting end cap



Daisy Chain version

Various chained MiniTracks - Total : 120W max.



All the connections have to be made before powering up,
otherwise the luminaires could be seriously damaged

Creation : 2026.10.17 / Last update : 2026.04.08

LOUSS

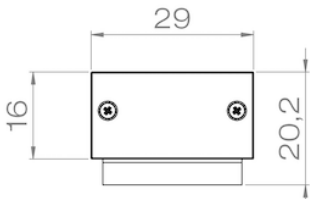
BEST SAS, Capital 200 000€
RCS Dijon B 408 483 485
TVA/VAT n° : FR94 408 483 485
APE 2612Z

Tel. : +33 380 48 65 68
contact@louss.fr
www.louss.fr
Best & LOUSS

Siège social / Head Office
PA Les Terres d'Or
Route de Saint Philibert
21220 Gevrey Chambertin - FRANCE

1 Install the track according to version

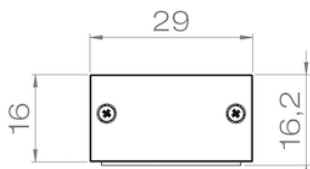
Magnetic version



Track equipped with magnets fixed with adhesive tape
(1 magnet for 100mm)

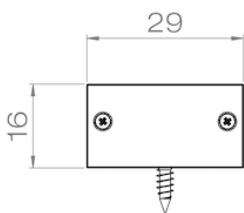
- $Lg \geq 100mm$ = 1 magnet
- $Lg \geq 101mm \leq 200mm$ = 2 magnets
- [...]
- $Lg \geq 2301mm \leq 2400mm$ = 23 magnets
- $Lg \geq 2401mm \leq 2500mm$ = 24 magnets

Adhesive tape version



Track equipped with double-side adhesive tape

Screw version



Track equipped with screws (not supplied)
1 screw every 500mm track

- Track = 100mm < 1000mm = 2 screws
- Track > 1001mm < 2000mm = 3 screws
- Track > 2001mm < 2500mm = 4 screws



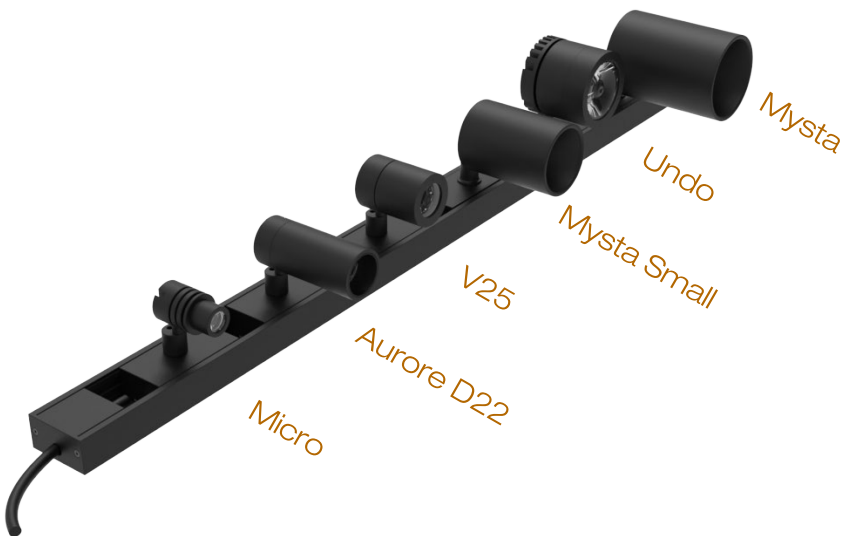
All the connections have to be made before powering up,
otherwise the luminaires could be seriously damaged

Creation : 2026.10.17 / Last update : 2026.04.08

2 Insert each module into the track



MINITRACK CUSTOM



According to customer's request, combination of :

- MICRO Simple or Low Luminance unit(s)
- AURORE D22 unit(s)
- V25 unit(s)
- UNDO Simple or Low Luminance unit(s)
- MYSTA unit(s)
- MYSTA SMALL unit(s)

Up to 120W on 2500mm max.
24V track

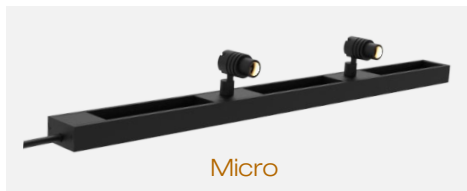
1 kg of luminaires per meter max.

All the connections have to be made before powering up,
otherwise the luminaires could be seriously damaged

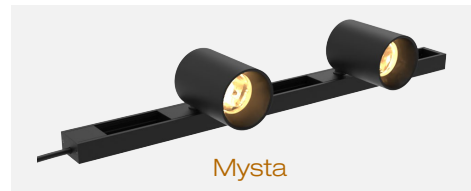
Creation : 2026.10.17 / Last update : 2026.04.08



Aurore D22



Micro



Mysta



Mysta Small



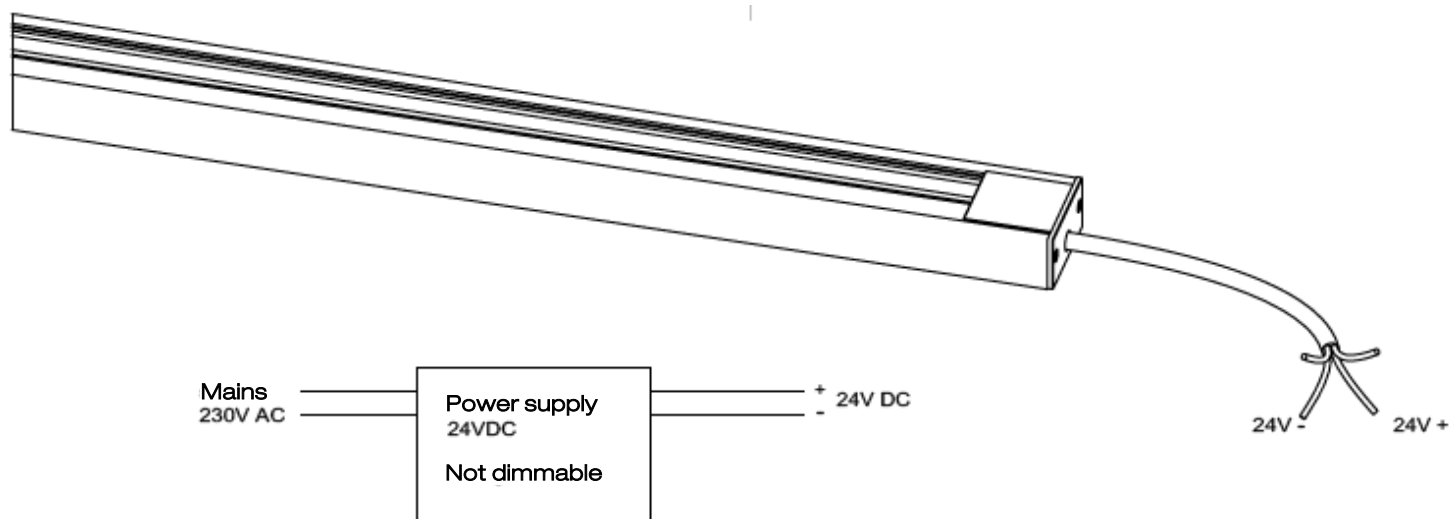
Undo



V25

MINITRACK

Wiring system
ON/OFF



All the connections have to be made before powering up,
otherwise the luminaires could be seriously damaged

Creation : 2026.10.17 / Last update : 2026.04.08

LOUSS

16/18

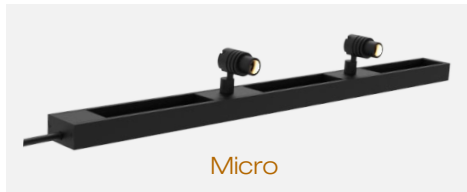
BEST SAS, Capital 200 000€
RCS Dijon B 408 483 485
TVA/VAT n° : FR94 408 483 485
APE 2612Z

Tel. : +33 380 48 65 68
contact@louss.fr
www.louss.fr
Best & LOUSS

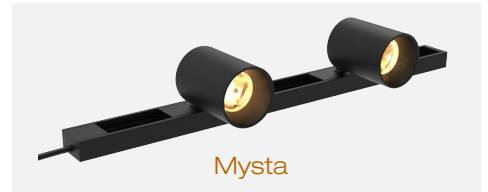
Siège social / Head Office
PA Les Terres d'Or
Route de Saint Philibert
21220 Gevrey Chambertin - FRANCE



Aurore D22



Micro



Mysta



Mysta Small



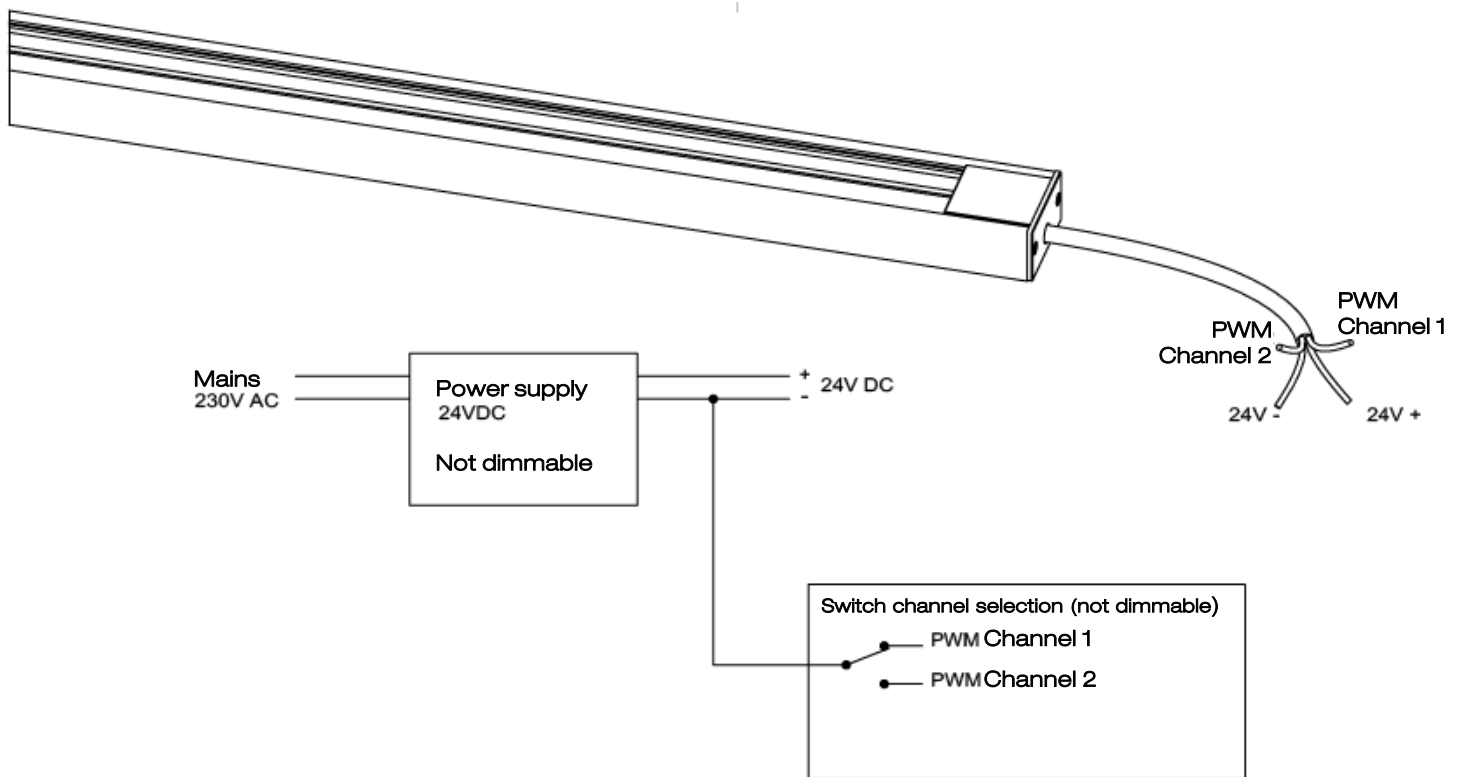
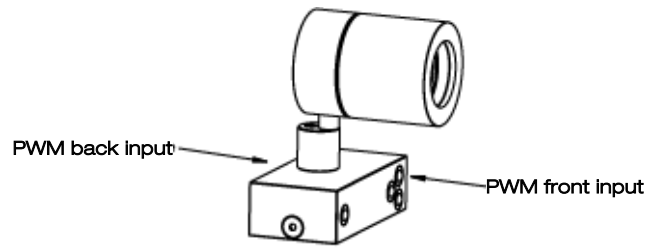
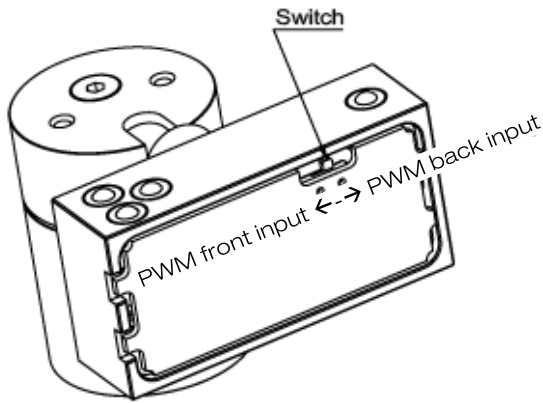
Undo



V25

MINITRACK

Wiring system
ON/OFF – Dual circuit switching version

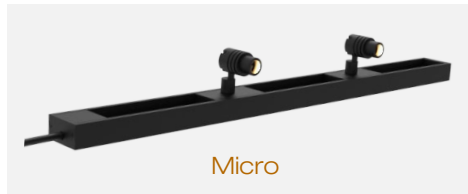


All the connections have to be made before powering up,
otherwise the luminaires could be seriously damaged

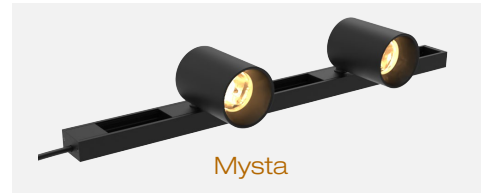
Creation : 2026.10.17 / Last update : 2026.04.08



Aurore D22



Micro



Mysta



Mysta Small



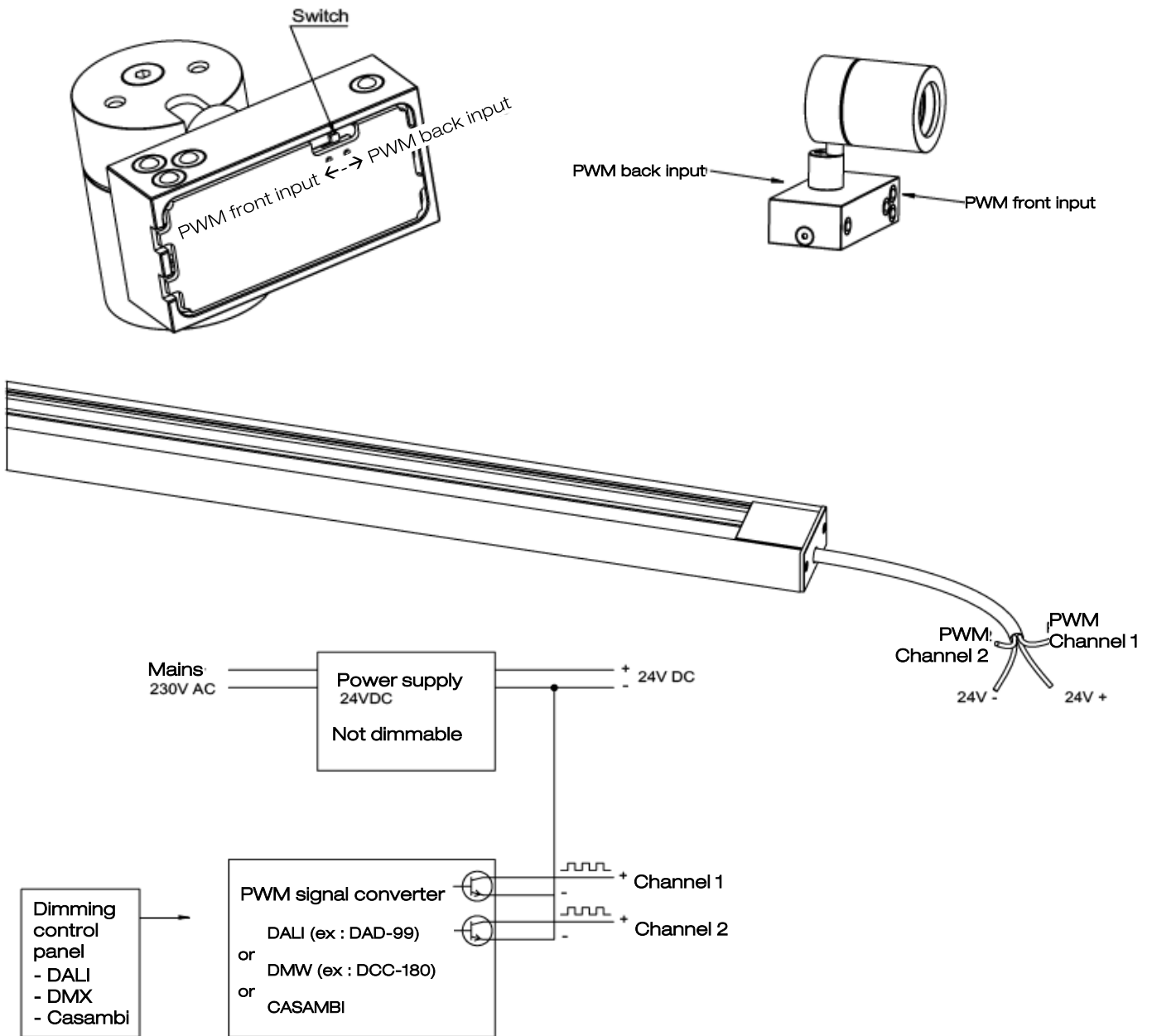
Undo



V25

MINITRACK

Wiring system
Dimmable version • PWM



All the connections have to be made before powering up,
otherwise the luminaires could be seriously damaged

Creation : 2026.10.17 / Last update : 2026.04.08