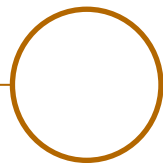


LOUSS

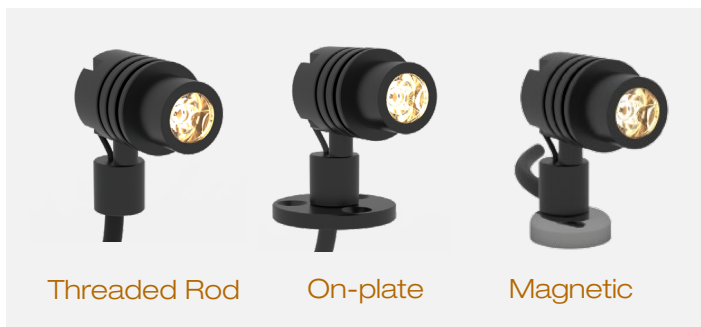
Lighting Emotion



MICRO & MICROTWIN

The versatile mini LED spotlights

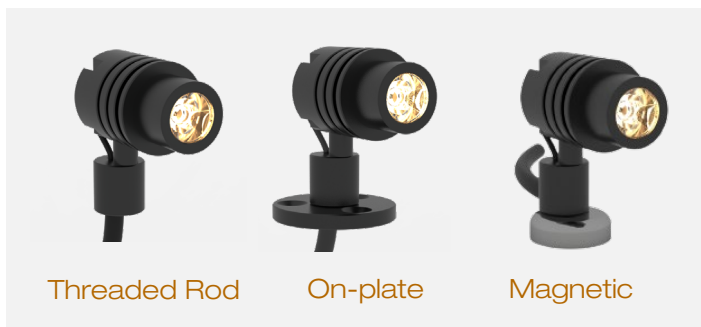




MICRO & MICROTWIN

Gamme	Luminaires for accent lighting						
Description	<p>Micro : 1 individual adjustable LED spotlight to be fixed thanks to a threaded rod, a metal plate or a magnet , according to version</p> <p>MicroTwin : 2 to 8 x adjustable LED spotlights, fixed on a U profile, with a quick connector on the back or on the front part of the profile, according to selected solution</p> <p>Orientation : 120° – Adjustable tilt : 105°</p>						
Finish	Black anodized matt finish						
Dimensions Micro (With fixing device)	Threaded Rod		On-plate			Magnetic	
	Diameter : 12.6mm	Length : 31.0mm (Simple) 37.2mm (L.L)	Diameter : 12.6mm	Length : 38.5mm (Simple) 44.7mm (L.L)	Diamètre : 12.6mm	Longueur : 31.4mm (Simple) 37.6mm (L.L)	
	Max. height : 41.6mm (Simple) 47.8mm (L.L)	Max. height : 44.6mm (Simple) 50.8mm (L.L)	Max. height : 46.6mm (Simple) 52.8mm (L.L)				
Dimensions MicroTwin	Spotlight diameter : 12.60mm						
	Spotlight length : 28.00mm (Simple) 34.30mm (Low Luminance)						
	Track width : 15.00mm						
Total width : 33.40mm (Simple) 39.60mm (Low Luminance)							
Track height : 15.00mm							
Total height : 46.00mm							
U profile length							
2 spots 117mm		3 spots 156mm		4 spots 195mm		5 spots 234mm	
6 spots 273mm		7 spots 312mm		8 spots 351mm			
LED characteristics	2200K - 2700K – 3000K – 3500K - 4000K (other upon request) Or 2 color temperatures in alternation (MicroTwin) CRI 90 – 95 R9>80						
Accessories	Filters upon request						
Optical beams	14°- 17°- 25°- 30°- 35°- 40°- 60°- Elliptical (other upon request)						
Connection	Micro			MicroTwin			
	Supplied with 0.5m cable (other length upon request) Individual or series connection to remote constant current driver			U profile equipped with a male quick connector Delivered with 2 x 1m extension cable + female quick connector To be connected on 1 or 2 constant current drivers (1 per colour temperature/channel)			
	For the US & Canada, use remote UL class 2 constant current driver						

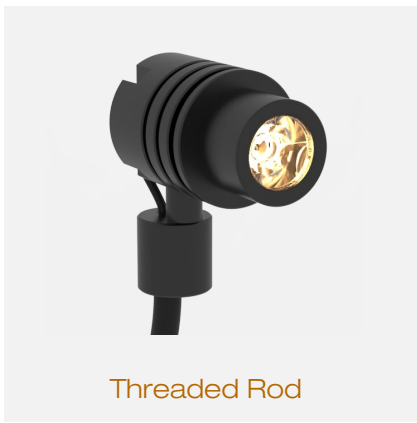
All the connections have to be made before powering up, otherwise the luminaires could be seriously damaged



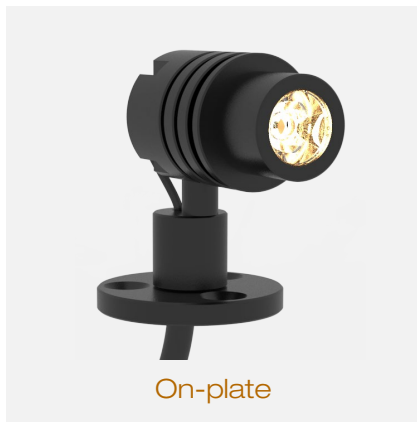
MICRO & MICROTWIN

Separate power supply	<p>700mA max remote constant current driver Dimmable driver upon request (1-10V – Dali) For the US & Canada, use remote UL class 2 constant current driver</p>								
LED power (per channel at 700mA max)		Number of LED spots							
	Number of channel(s)	1	2	3	4	5	6	7	8
	1 Channel	2.70W	4.90W	7.00W	9.10W	11.20W	14.00W	15.40W	18.20W
2 Channels		2.80W	2.80W max	4.90W	7.00W max	7.00W	7.00W max	9.10W	
Use limitations	<p>The product must be installed into a ventilated area Any use with an ambient temperature higher than the specified ambient temperature (Ta 25°) may lead to a more rapid mortality of the product and the withdrawal of our guarantees This luminaire is a class III device and must be powered up by a SELV (Safety Extra Low Voltage) control gear delivering a constant current and compliant with the IEC 61347-2-13 standard The drivers must be approved by LOUSS before use Indoor lighting For cabinet use only IP rating: 20 Electrical safety rating: III Dry locations only</p>								
Warranty	<p>Life span: L80B10 at 50,000 hours (80% remaining flux) at 25°C ambient temperature 3-year parts and labor warranty The warranty does not apply to products that have been opened, modified or repaired and does not cover the effects of a wrong connection, careless, abusive handling, overvoltage, lighting injury, as well as the normal wear of the product All products are electrically tested and received a functional burn-in</p>								

All the connections have to be made before powering up,
 otherwise the luminaires could be seriously damaged



Threaded Rod

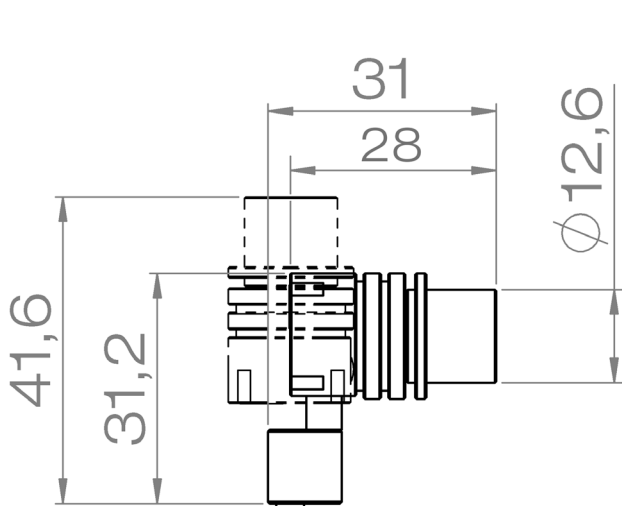


On-plate

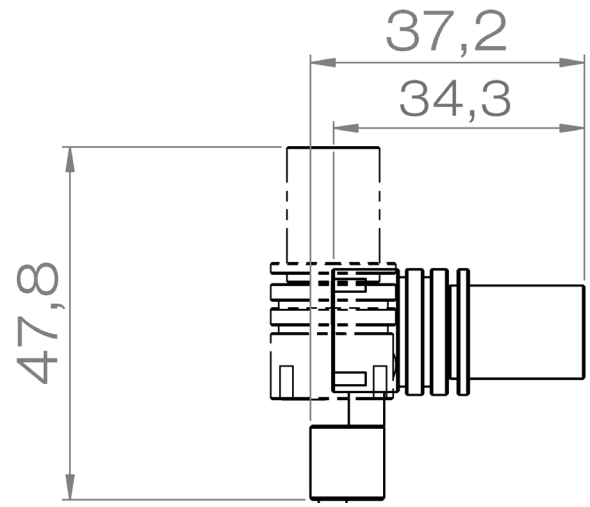


Magnetic

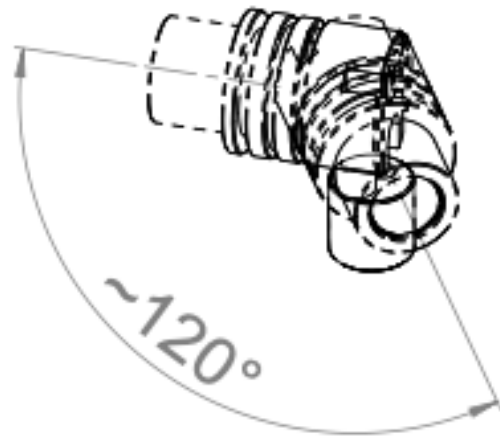
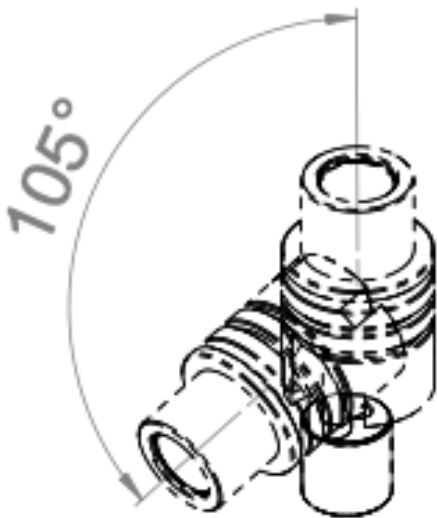
MICRO – All versions



Simple version



Low Luminance Version



Beyond 120°, wires may cause an inconvenience

All the connections have to be made before powering up, otherwise the luminaires could be seriously damaged

Last update : 2026.03.13

LOUSS

BEST SAS, Capital 200 000€
RCS Dijon B 408 483 485
TVA/VAT n° : FR94 408 483 485
APE 2612Z

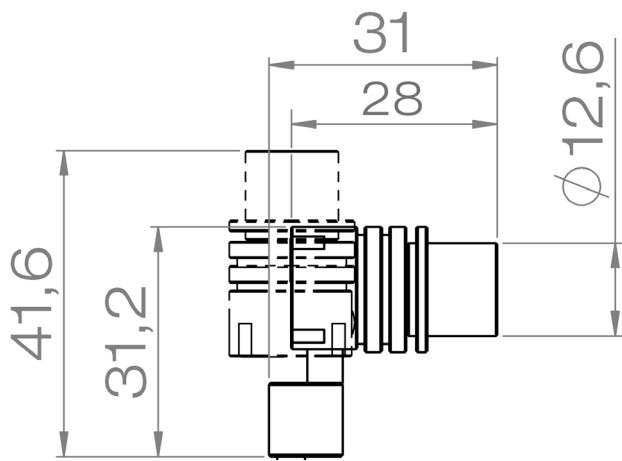
Tel. : +33 380 48 65 68
contact@louss.fr
www.louss.fr
Best & LOUSS

Siège social / Head Office
PA Les Terres d'Or
Route de Saint Philibert
21220 Gevrey Chambertin - FRANCE

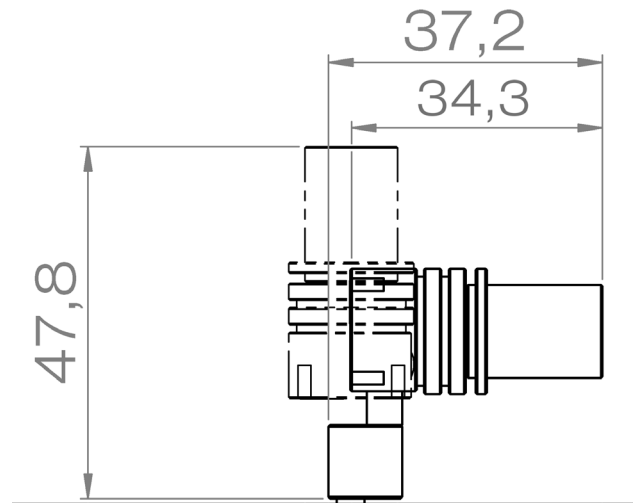


MICRO THREADED ROD

Dimensions & Installation guide

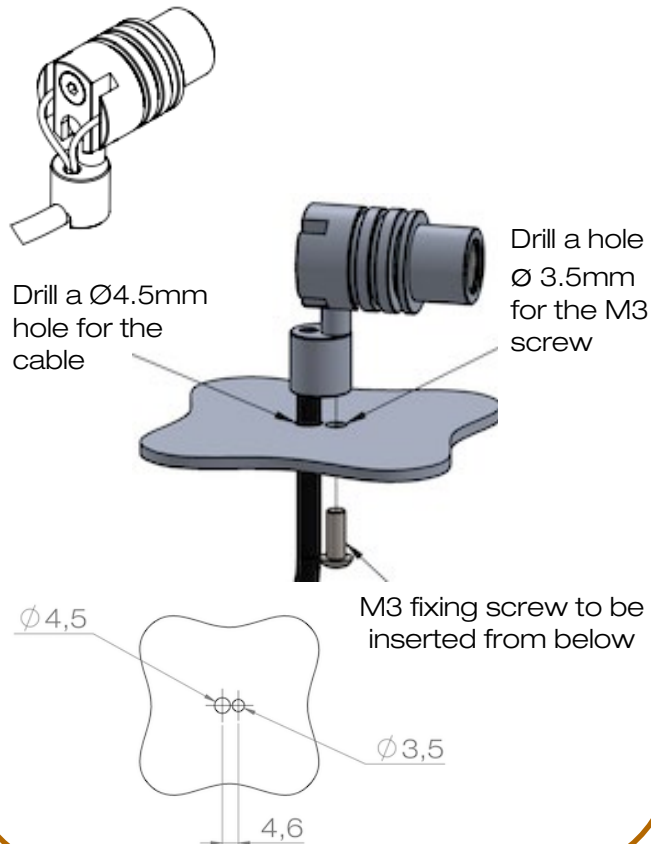


Simple version

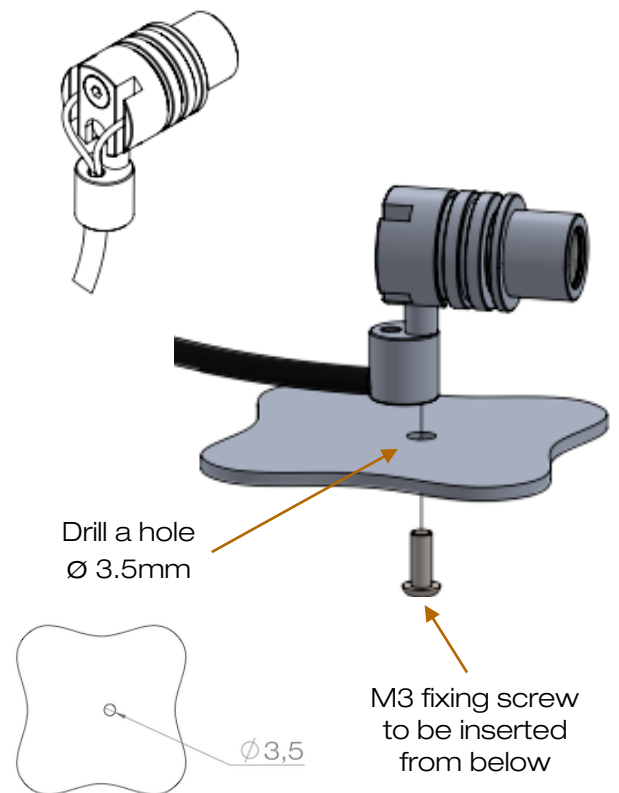


Low Luminance version

Installation guide Cable below the spotlight



Installation guide Cable behind the spotlight

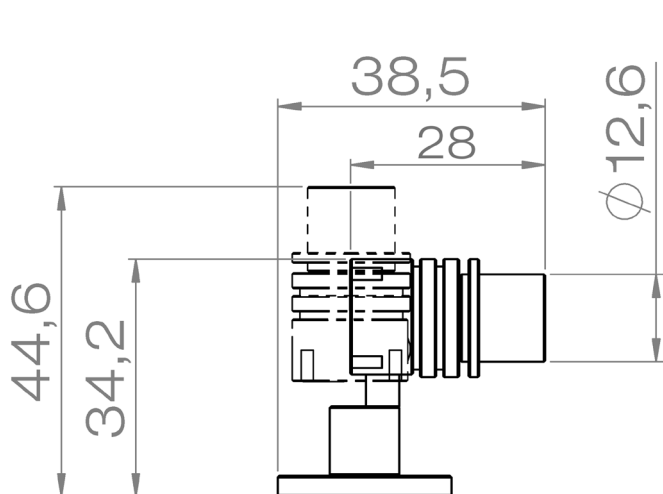


All the connections have to be made before powering up, otherwise the luminaires could be seriously damaged

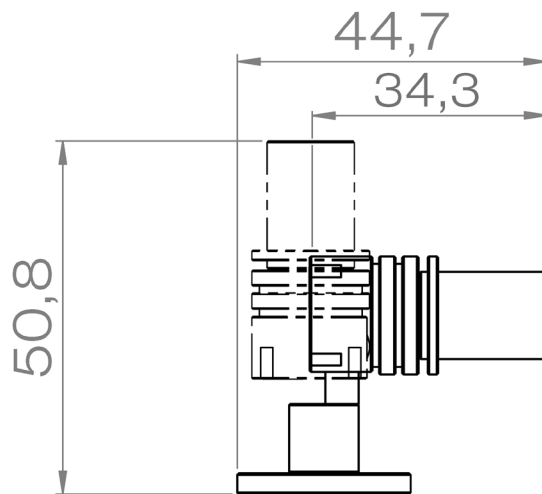


MICRO ON PLATE

Dimensions & Installation guide



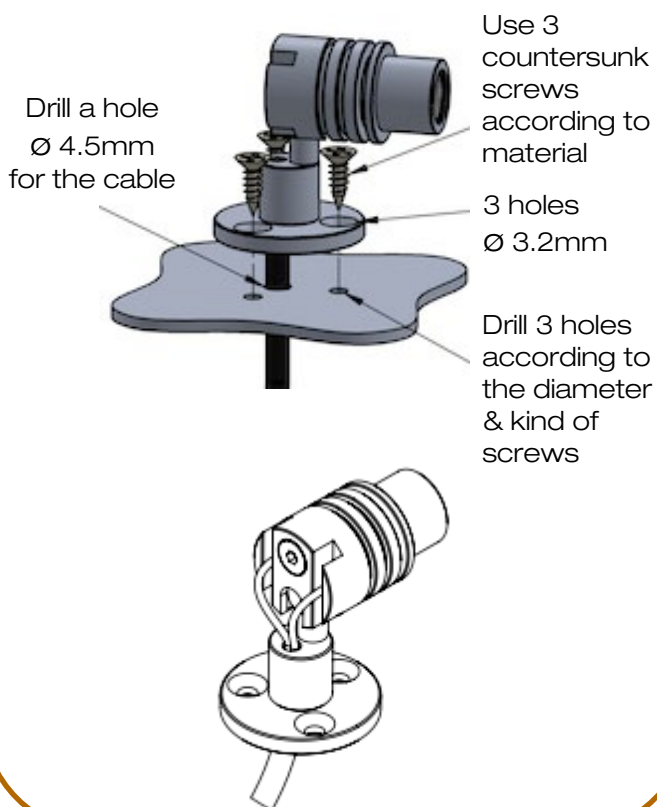
Simple version



Low Luminance version

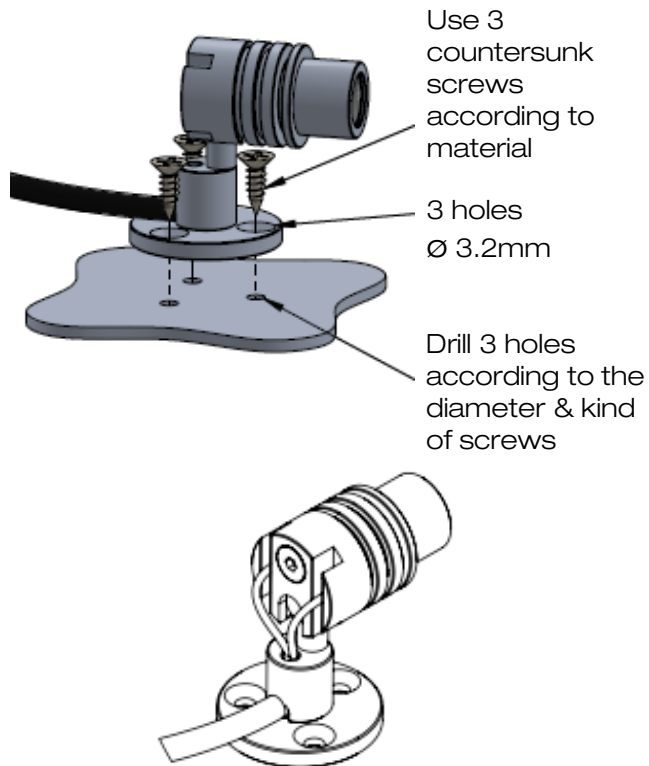
Installation guide

Cable below the spotlight



Installation guide

Cable behind the spotlight

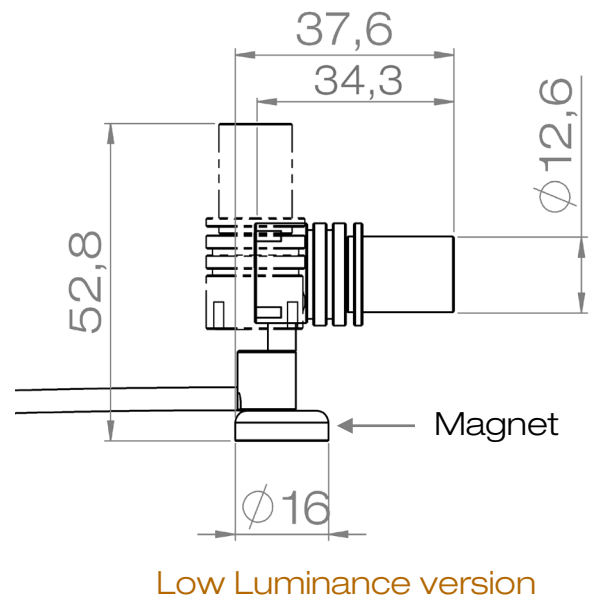
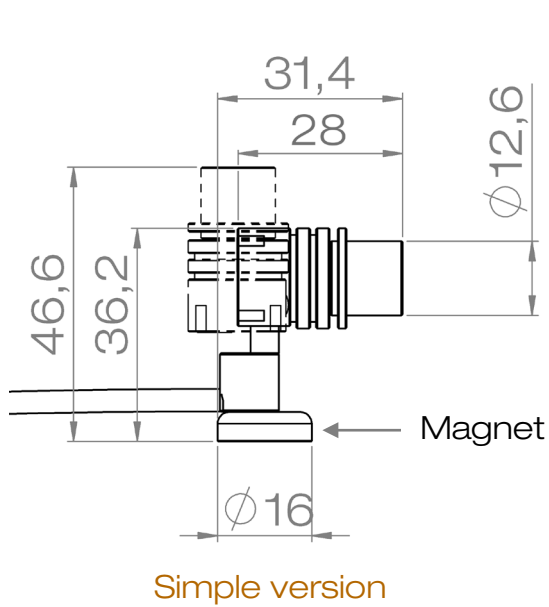


All the connections have to be made before powering up,
otherwise the luminaires could be seriously damaged



MICRO MAGNETIC

Dimensions & Installation guide



Installation guide
Cable behind the spotlight only



Install the spotlight
on a metallic surface

All the connections have to be made before powering up,
otherwise the luminaires could be seriously damaged

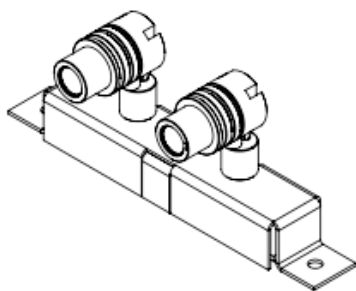
Last update : 2026.03.13

LOUSS

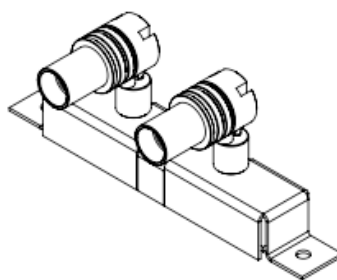
BEST SAS, Capital 200 000€
RCS Dijon B 408 483 485
TVA/VAT n° : FR94 408 483 485
APE 2612Z

Tel. : +33 380 48 65 68
contact@louss.fr
www.louss.fr
Best & LOUSS

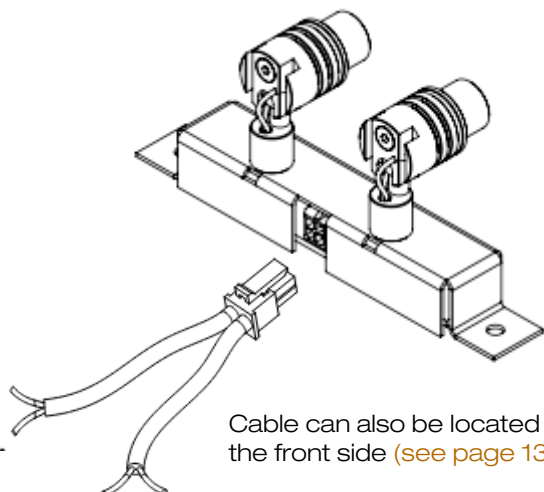
Siège social / Head Office
PA Les Terres d'Or
Route de Saint Philibert
21220 Gevrey Chambertin - FRANCE



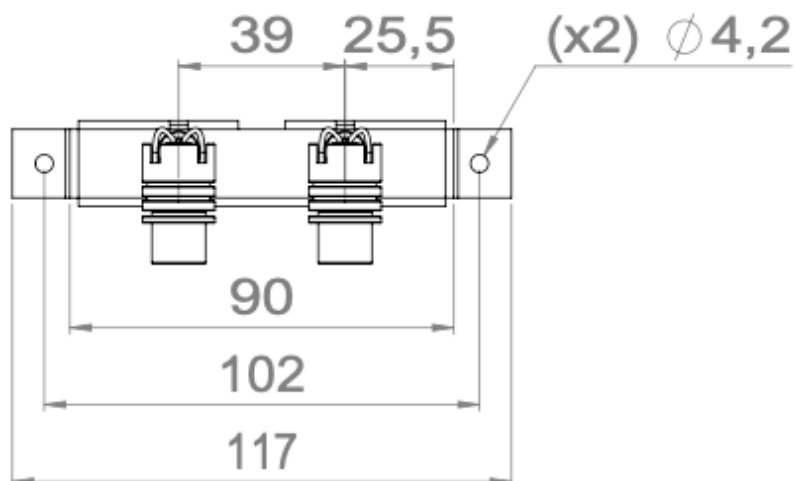
Simple



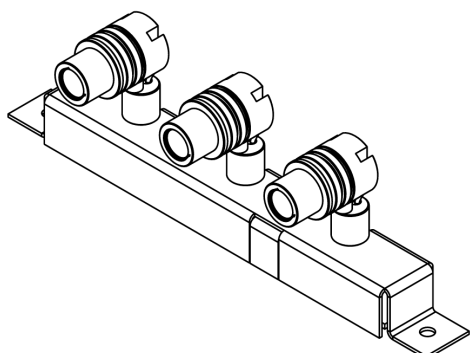
Low luminance



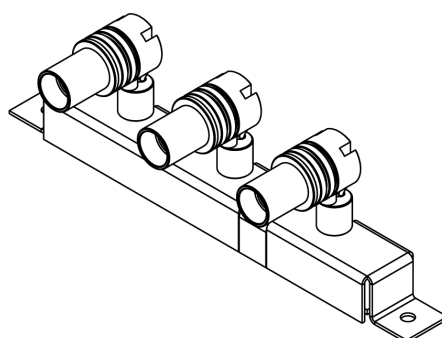
Cable can also be located on the front side (see page 13)



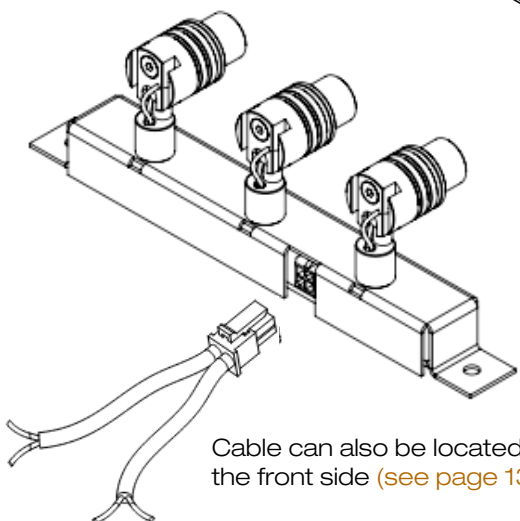
MicroTwin3 - 3 spotlights



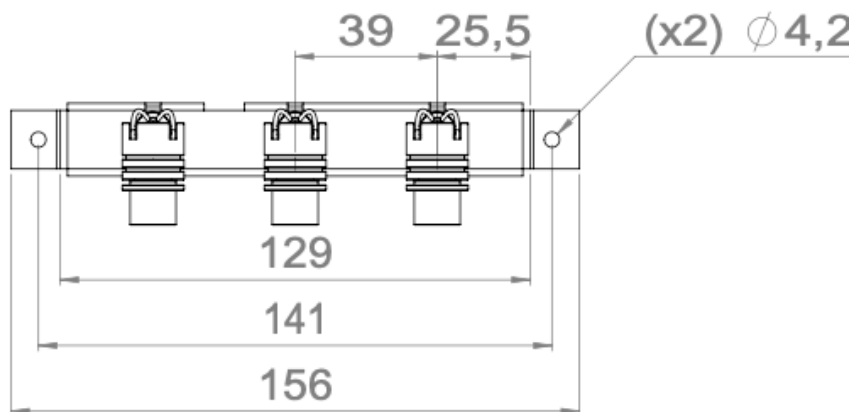
Simple



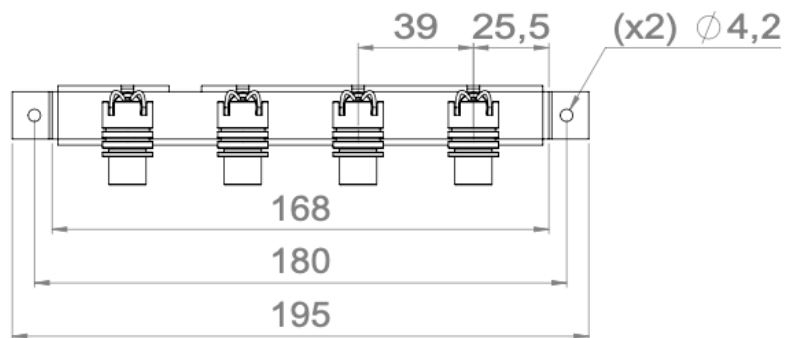
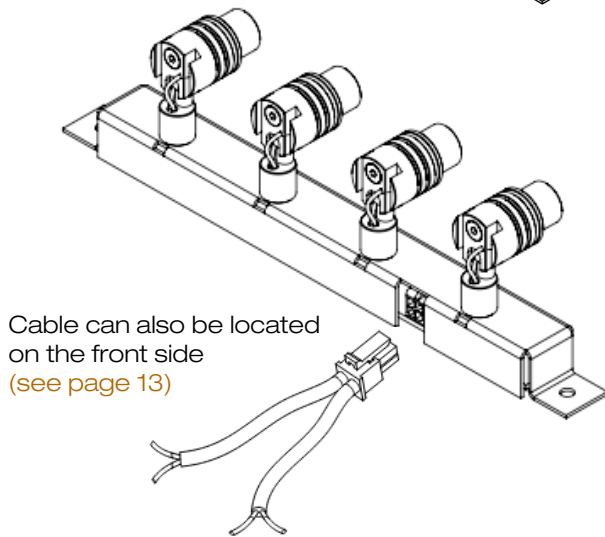
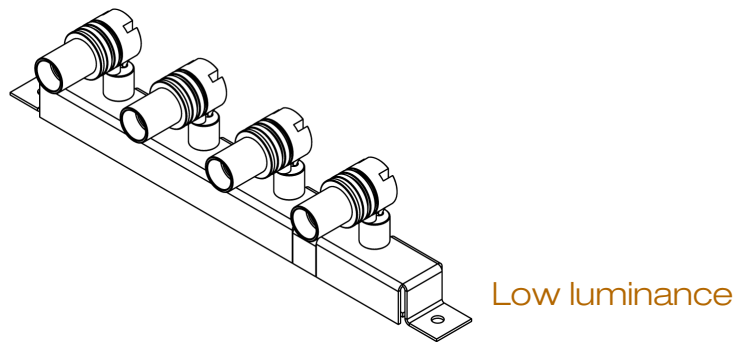
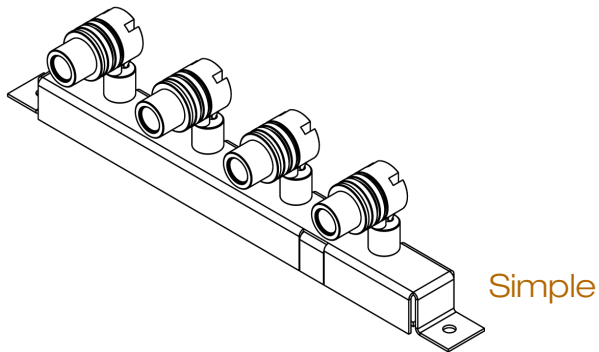
Low luminance



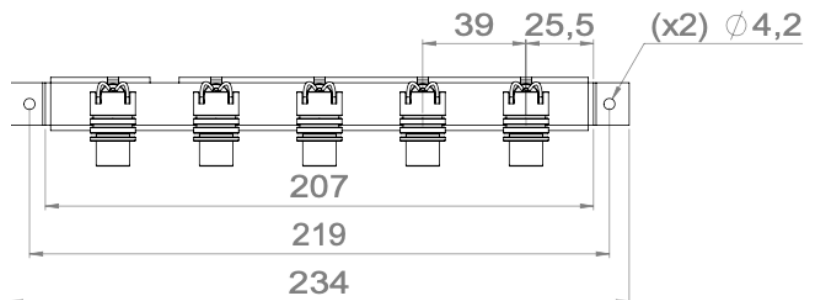
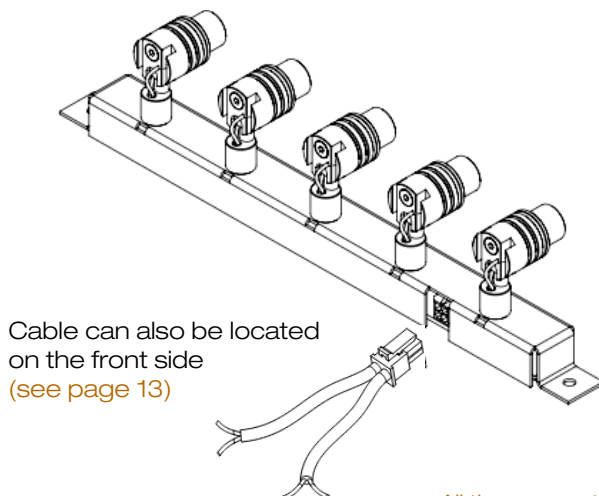
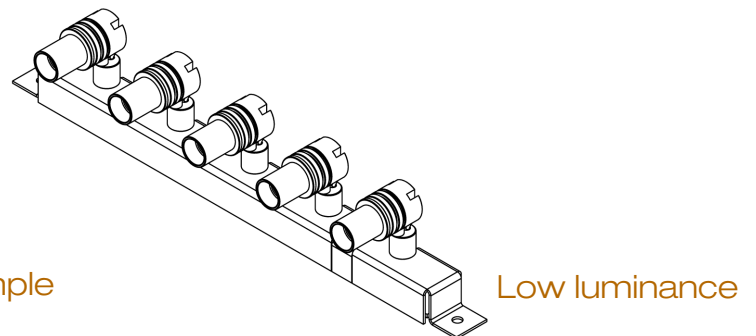
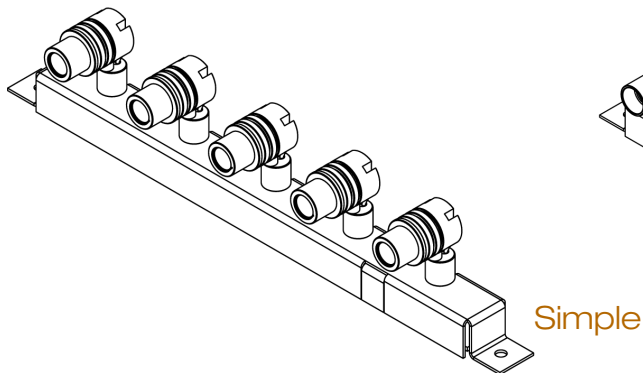
Cable can also be located on the front side (see page 13)



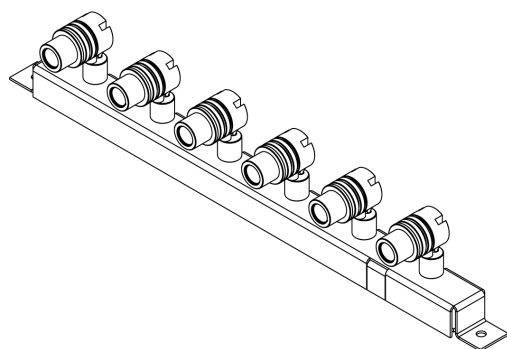
All the connections have to be made before powering up, otherwise the luminaires could be seriously damaged



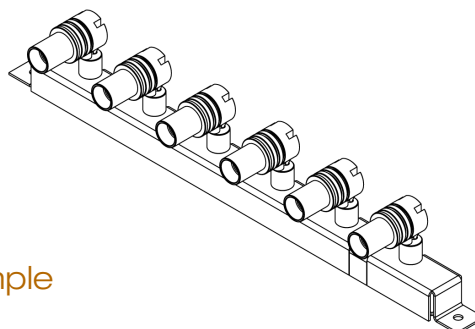
MicroTwin5 – 5 spotlights



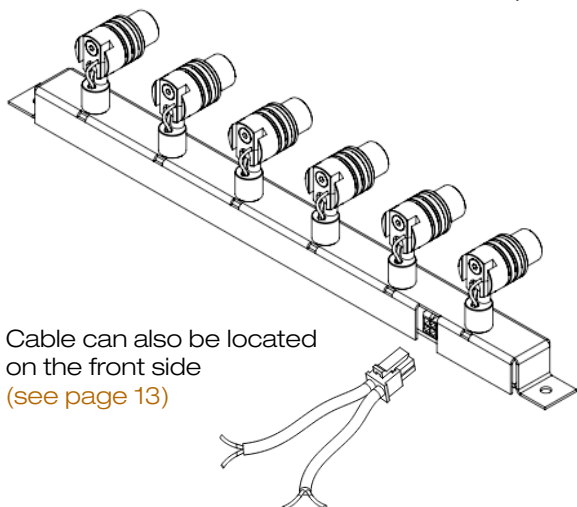
All the connections have to be made before powering up, otherwise the luminaires could be seriously damaged



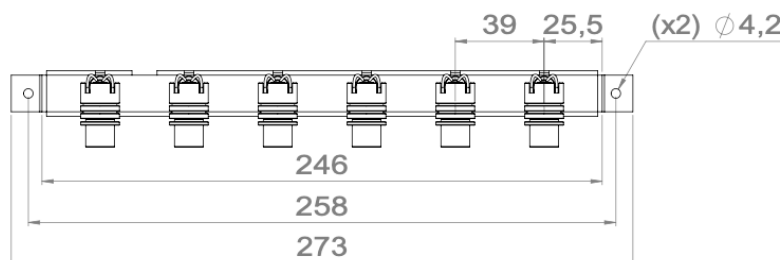
Simple



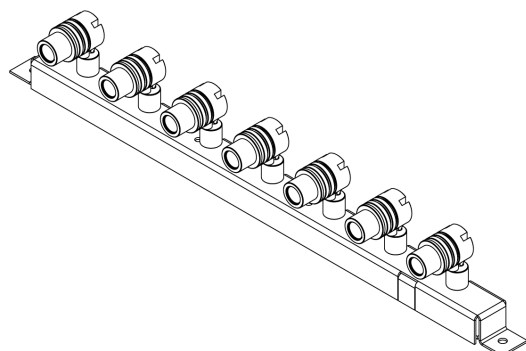
Low luminance



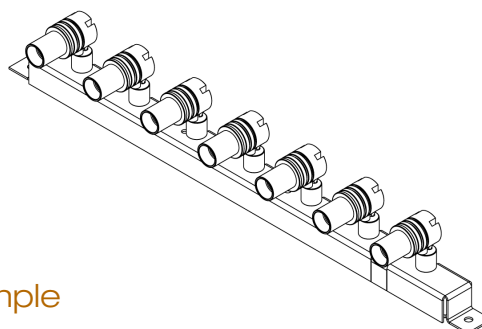
Cable can also be located on the front side (see page 13)



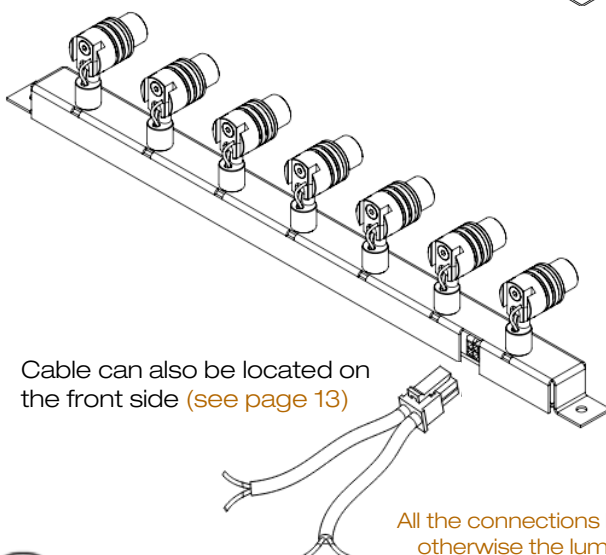
MicroTwin7 – 7 spotlights



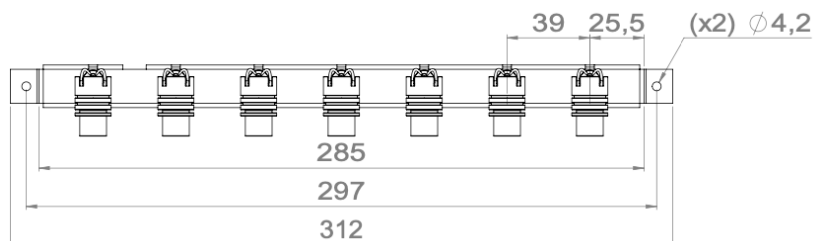
Simple



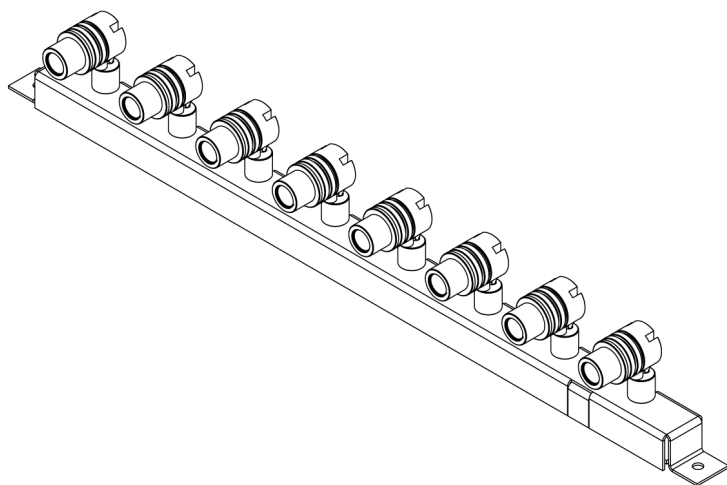
Low luminance



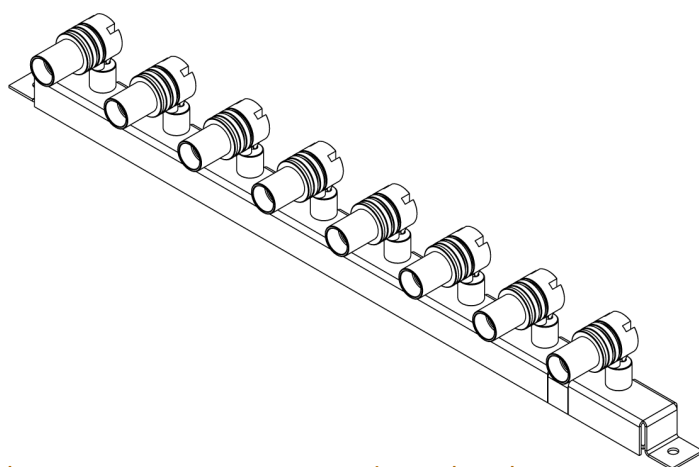
Cable can also be located on the front side (see page 13)



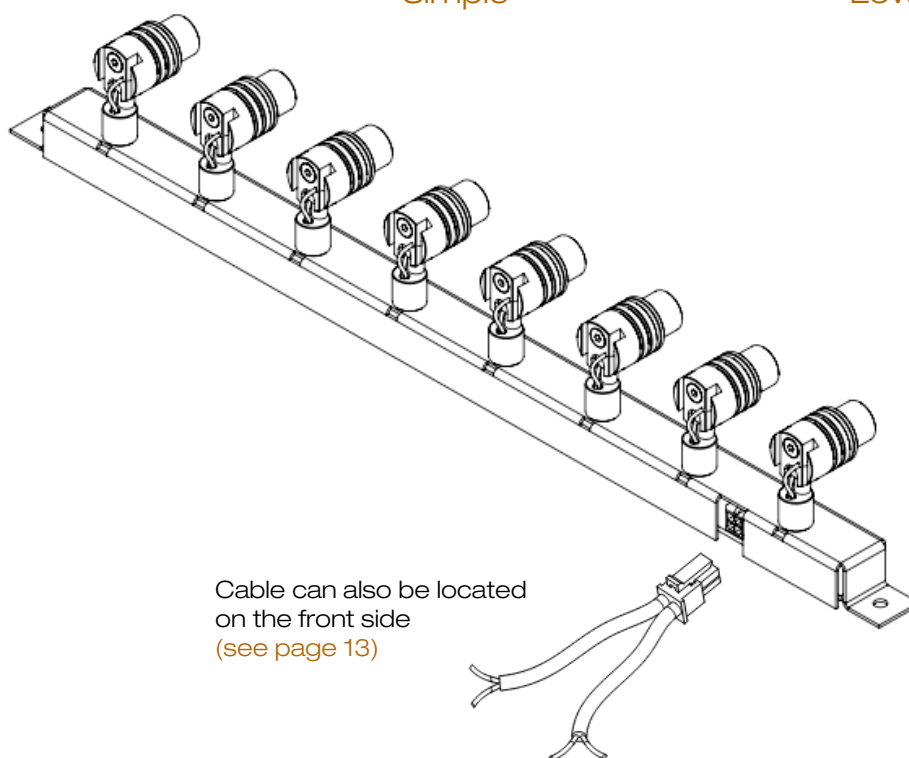
All the connections have to be made before powering up, otherwise the luminaires could be seriously damaged



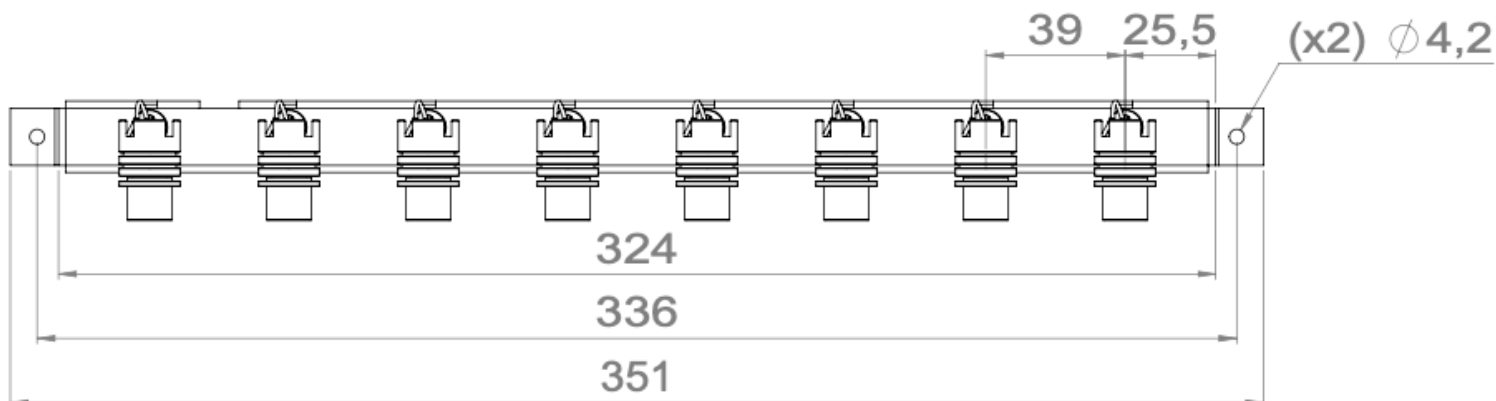
Simple



Low luminance

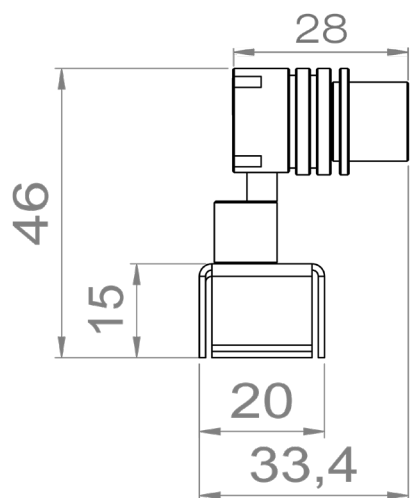


Cable can also be located on the front side
(see page 13)

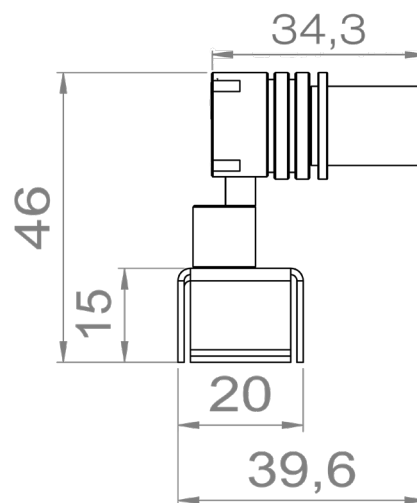


All the connections have to be made before powering up,
otherwise the luminaires could be seriously damaged

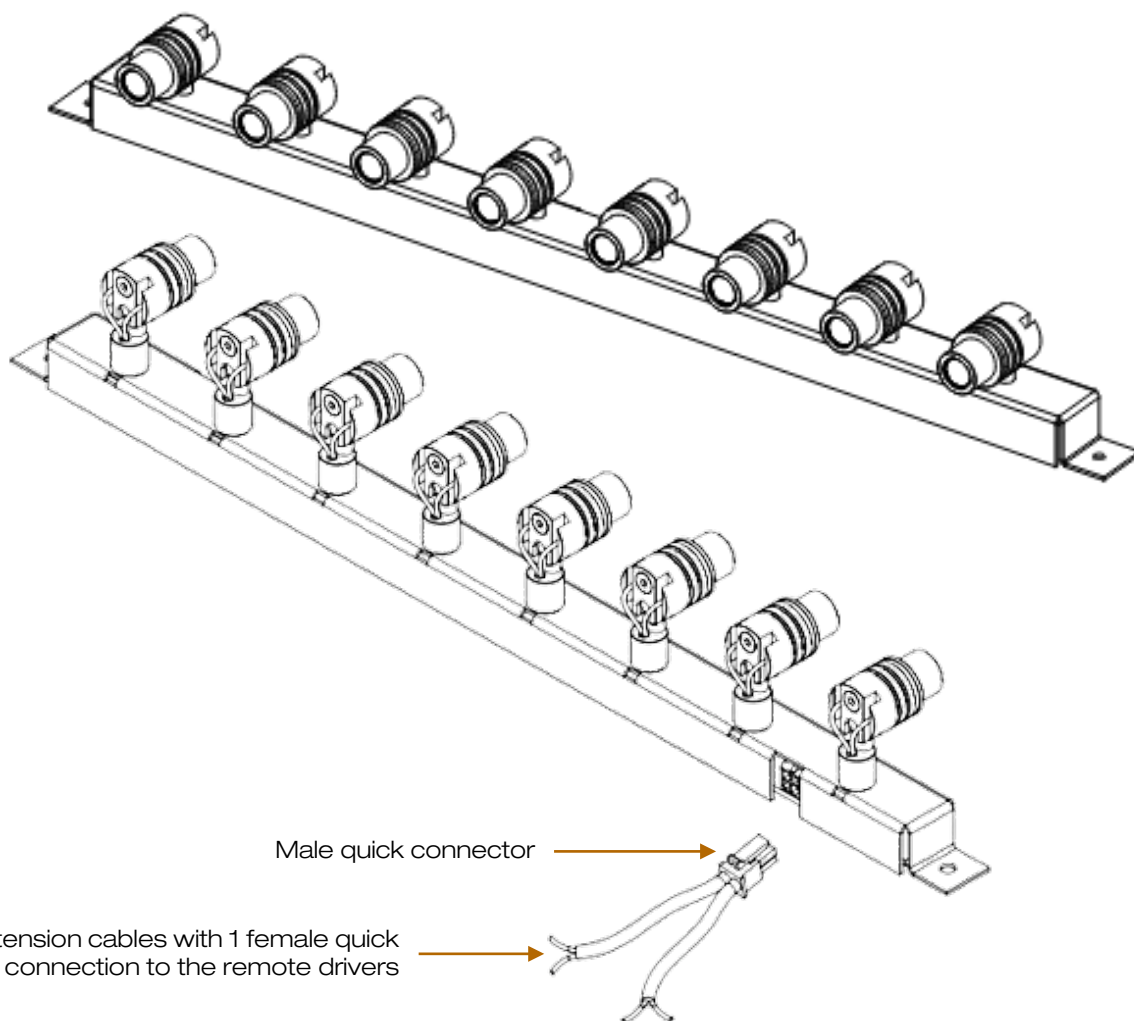
Last update : 2026.03.13



Simple spotlight(s)



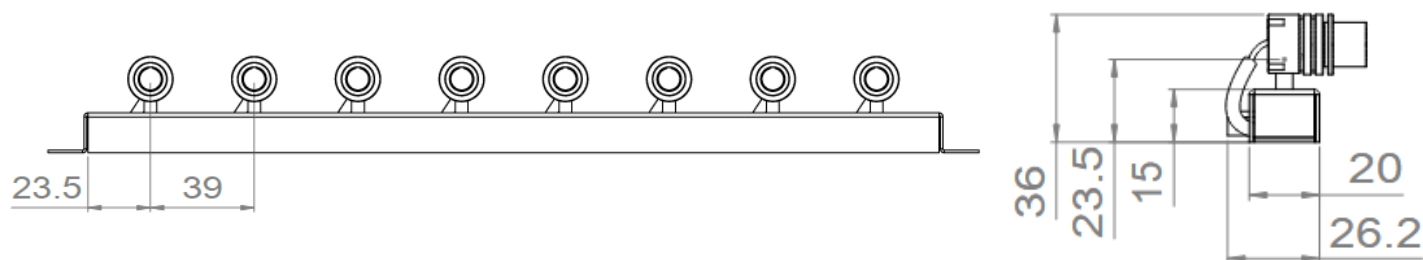
Low Luminance spotlight(s)



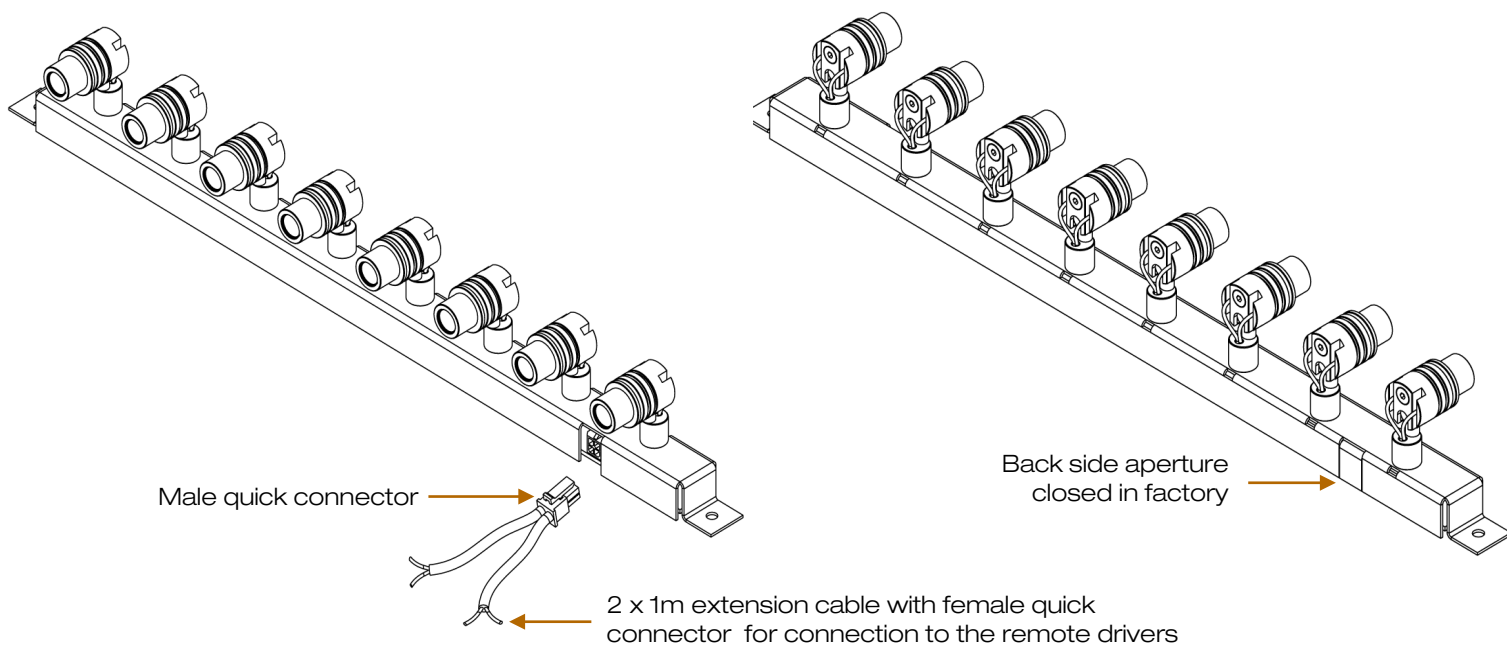
For the USA & Canada use remote UL class 2 constant current drivers

All the connections have to be made before powering up, otherwise the luminaires could be seriously damaged

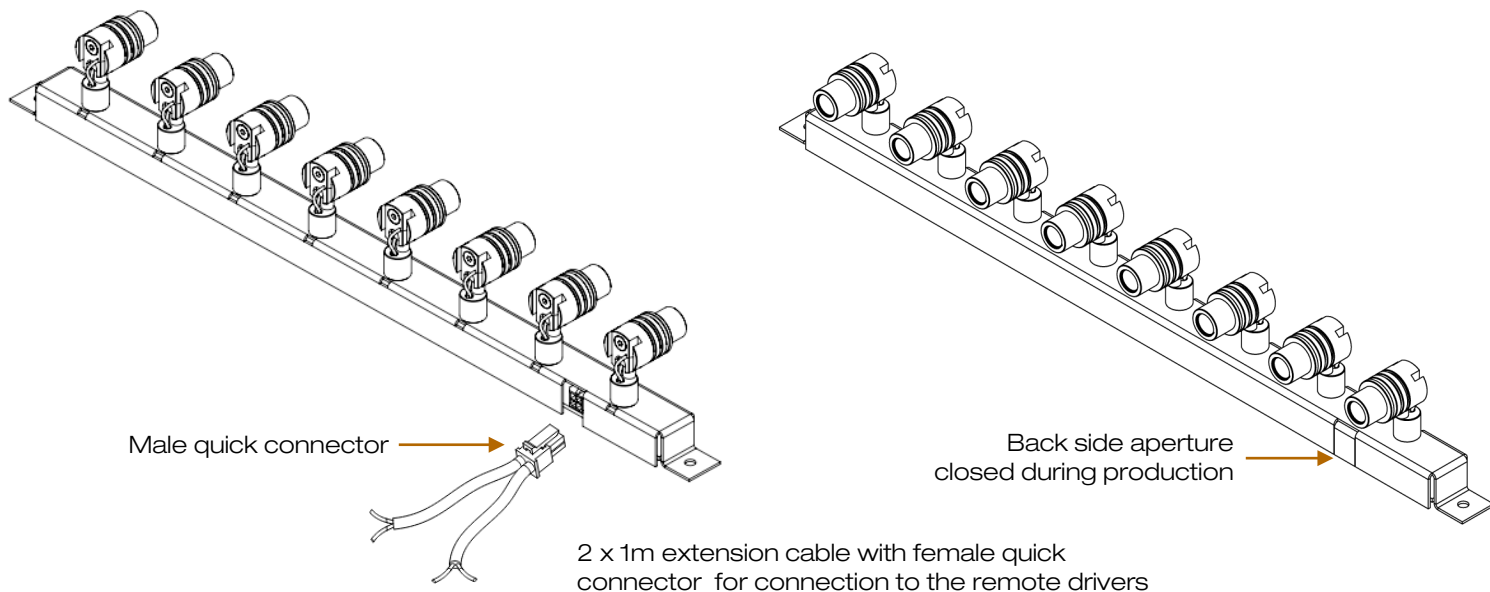
Last update : 2026.03.13



Cable connected in the front side of the luminaire

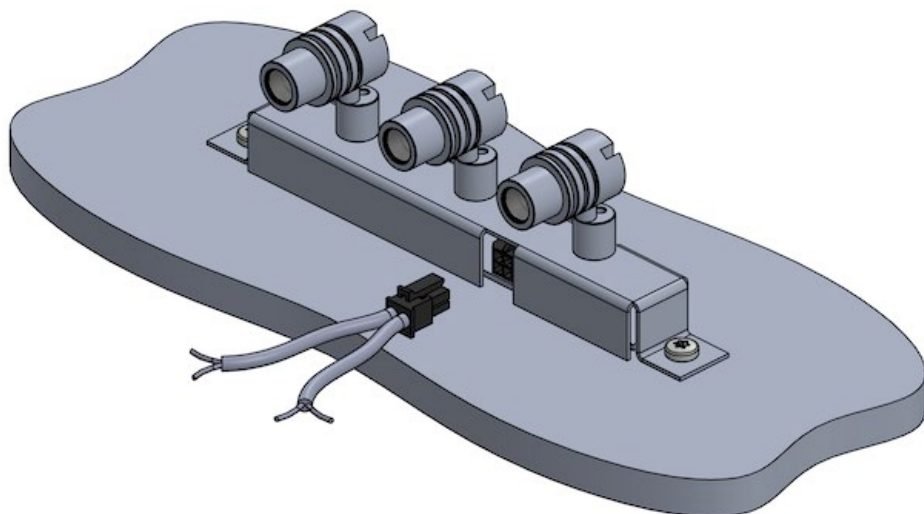


Cable connected in the back side of the luminaire

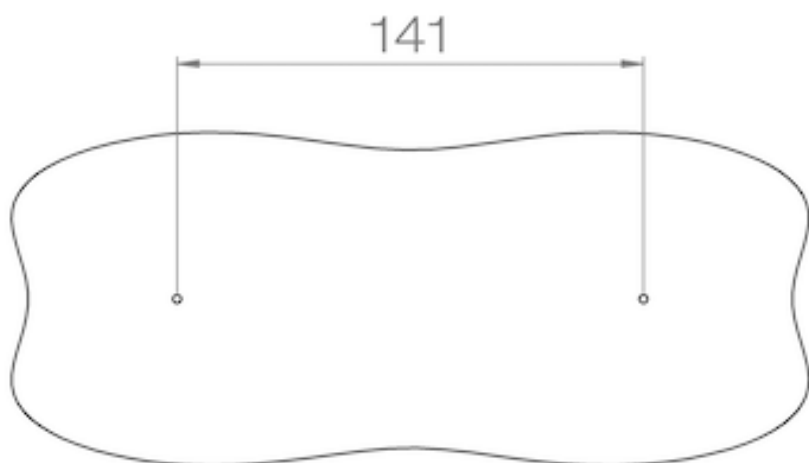


All the connections have to be made before powering up, otherwise the luminaires could be seriously damaged

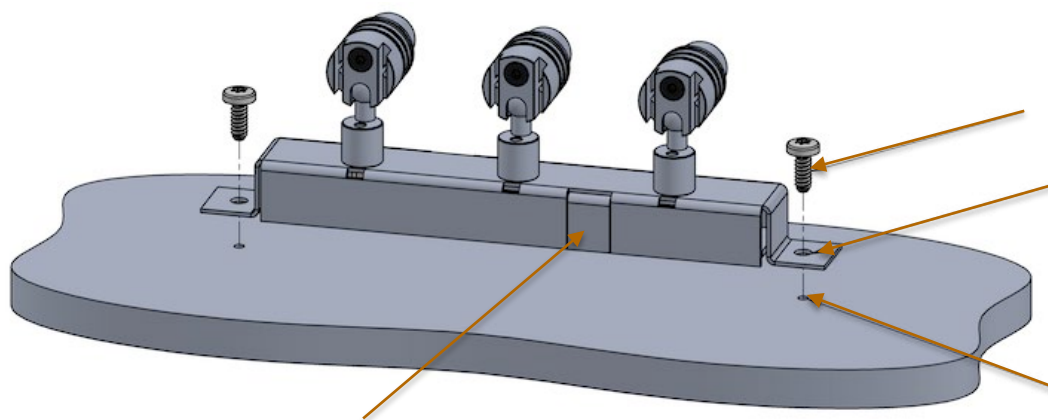
Cable connected in the front side of the luminaire



Luminaire delivered with
2 x 1m extension cable
+ quick connector



Drill 2 holes according
to the diameter & kind of screws



Use adequate screws
according to the surface

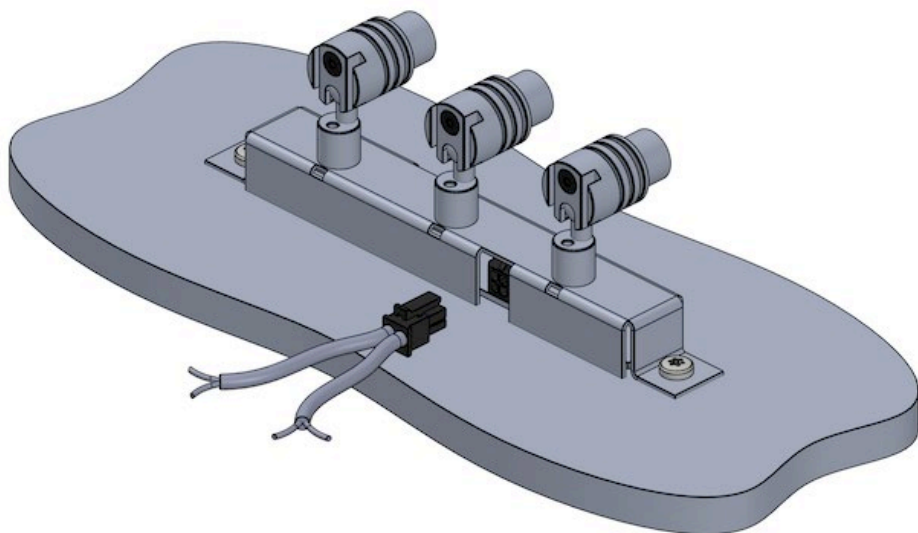
Fixing holes \varnothing 4.2mm

Holes according to the
material & the kind of screws

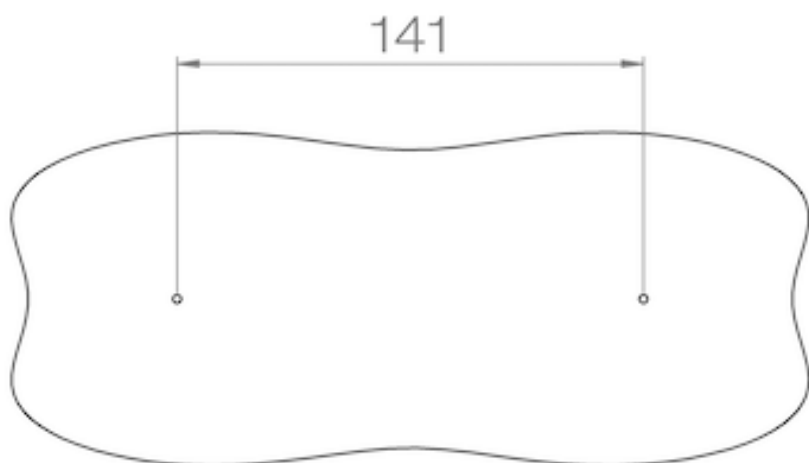
Back side aperture closed in factory

All the connections have to be made before powering up,
otherwise the luminaires could be seriously damaged

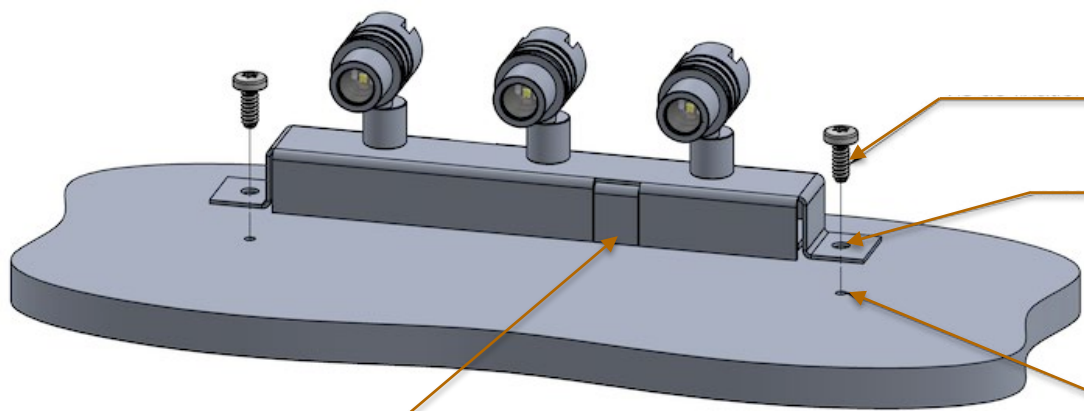
Cable connected in the back side of the luminaire



Luminaire delivered with
2 x 1m extension cable
+ quick connector



Drill 2 holes according to the
diameter & kind of screws



Use adequate screws
according to the material

Fixing holes \varnothing 4.2mm

Holes according to the
material & the kind of screws

Front side aperture closed in factory

All the connections have to be made before powering up,
otherwise the luminaires could be seriously damaged

Last update : 2026.03.13