

MIKRON



MIKRON • Jack • Base • Flex • Swan-Neck

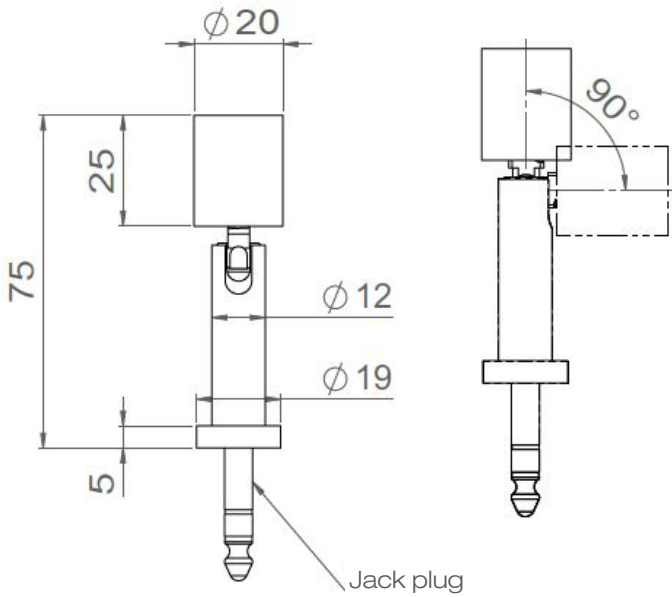
| | | |
|------------------------------|---|---|
| Range | Decorative luminaires for accent lighting | |
| Description | Anodized aluminum body (other finish upon request) Supplied in Standard or Low Luminance version Jack & Base versions : Orientation 360° - Adjustable tilt 90° | |
| Dimensions | Jack | Base |
| | Spotlight diameter: 20mm Spotlight length : 25mm (Standard) 30mm (LL) Total length : 75mm max. (Standard) 80mm max. (LL) Stand diameter : 19mm | Spotlight diameter: 20mm Spotlight length : 25mm (Standard) 30mm (LL) Total length : 65mm max. (Standard) 70mm max. (L.L) Stand diameter : 19mm Stand length : 20mm |
| | Flex | Swan-Neck |
| | Spotlight diameter: 20mm Spotlight length : 25mm (Standard) 30mm (LL) Stand length : 200mm | Spotlight diameter: 20mm Spotlight length : 25mm (Standard) 30mm (LL) Stand length : 695mm |
| LED characteristics | 2700K – 3000K – 4000K (other upon request) | |
| Optical beams | 15° - 35° - 40° - 60° (other upon request) | |
| Connection | Supplied with 0.5m cable (more length upon request) Individual or connection in series on external constant current driver | |
| Separate power supply | Standard : 500mA max. external constant current driver Low Luminance : 700mA max. external constant current driver For the US & Canada use a UL class 2 driver | |
| LED power | All versions : 1.8W at 500mA max. Low Luminance : 2.4W at 700mA max. | |
| Use limitations | The product must be installed into a ventilated area. Any use with an ambient temperature higher than the specified ambient temperature (Ta) would lead to a more rapid mortality of the product and the withdrawal of our guarantees. The drivers, if not delivered by LOuss, must be approved before use | |
| Warranty | Life span: L80B10 at 50,000 hours (80% remaining flux) at 25°C ambient temperature. 3-year parts and labour warranty. The warranty does not apply to products that have been opened, modified or repaired and does not cover the effects of a wrong connection, careless, abusive handling, overvoltage, lighting injury, as well as the normal wear of the product. All products are electrically tested and received a functional burn-in | |

All the connections have to be made before powering up, otherwise the luminaire could be seriously damaged.

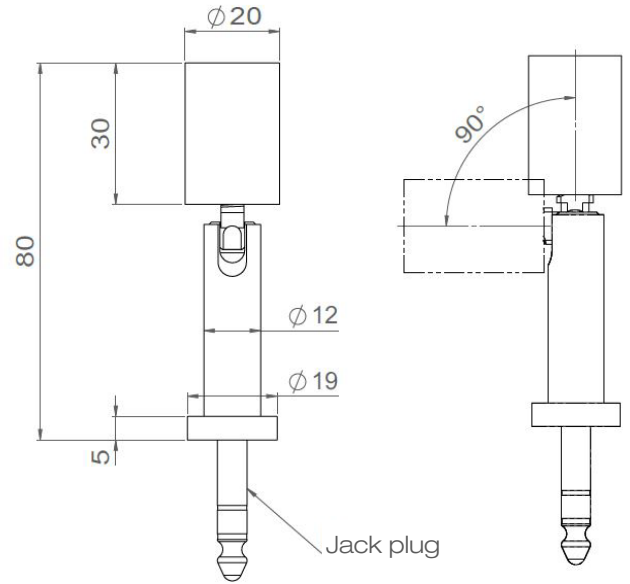


MIKRON JACK

Standard version

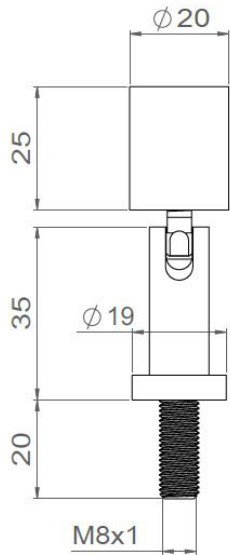


Low Luminance version

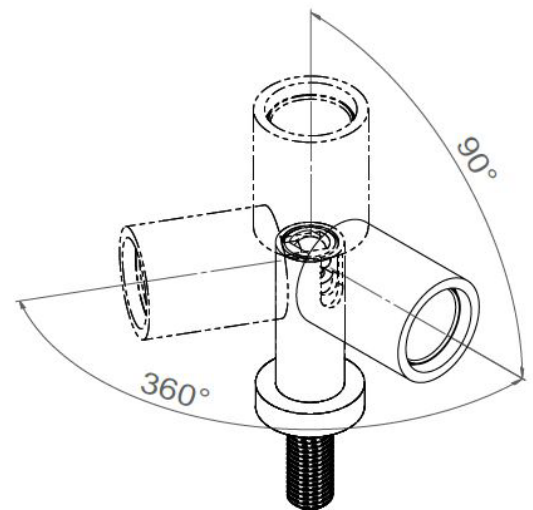
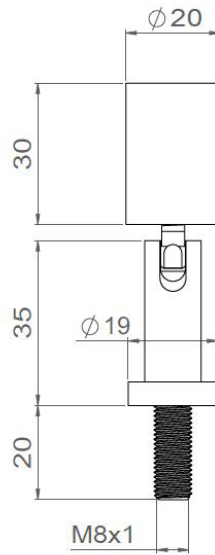


MIKRON BASE

Standard version



Low Luminance version

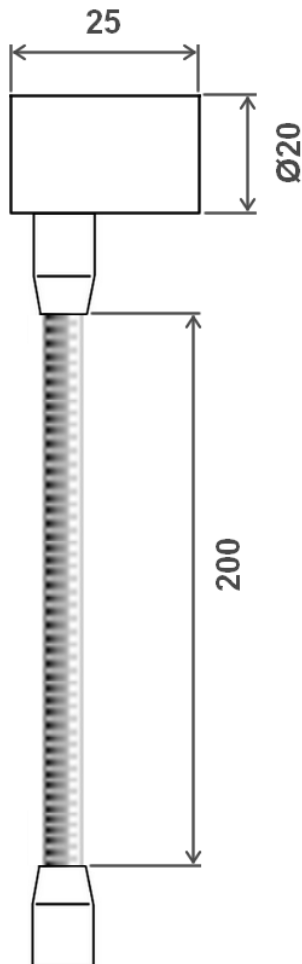


All the connections have to be made before powering up,
otherwise the luminaire could be seriously damaged.

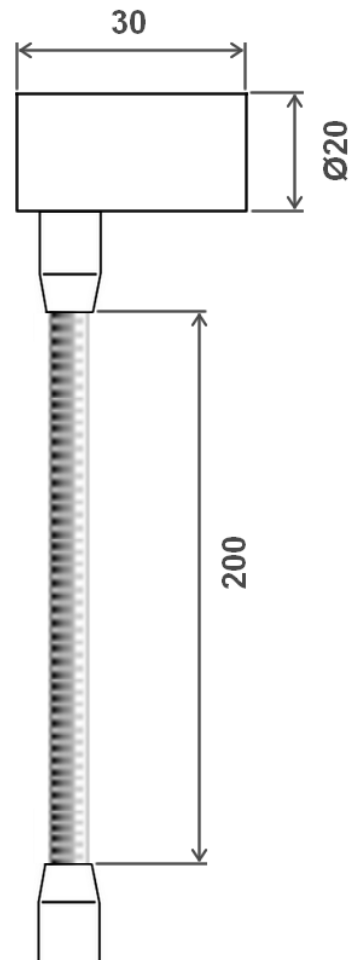


MIKRON FLEX

Standard version



Low Luminance version



All the connections have to be made before powering up,
otherwise the luminaire could be seriously damaged.

Creation : 2018.11.29 / Last update : 2025.07.24

LOUSS

BEST SAS, Capital 200 000€
RCS Dijon B 408 483 485
TVA/VAT n° : FR94 408 483 485
APE 2612Z

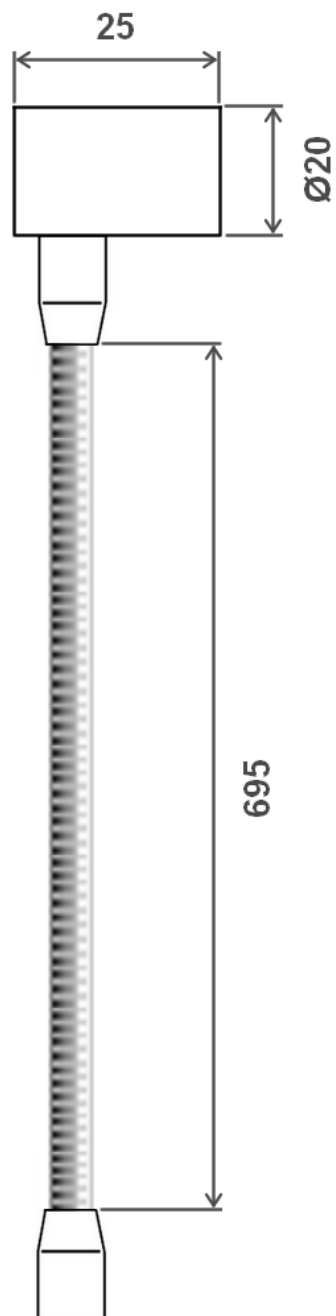
Tel. : +33 380 48 65 68
contact@louss.fr
www.louss.fr
Best & LOUSS

Siège social / Head Office
PA Les Terres d'Or
Route de Saint Philibert
21220 Gevrey Chambertin - FRANCE

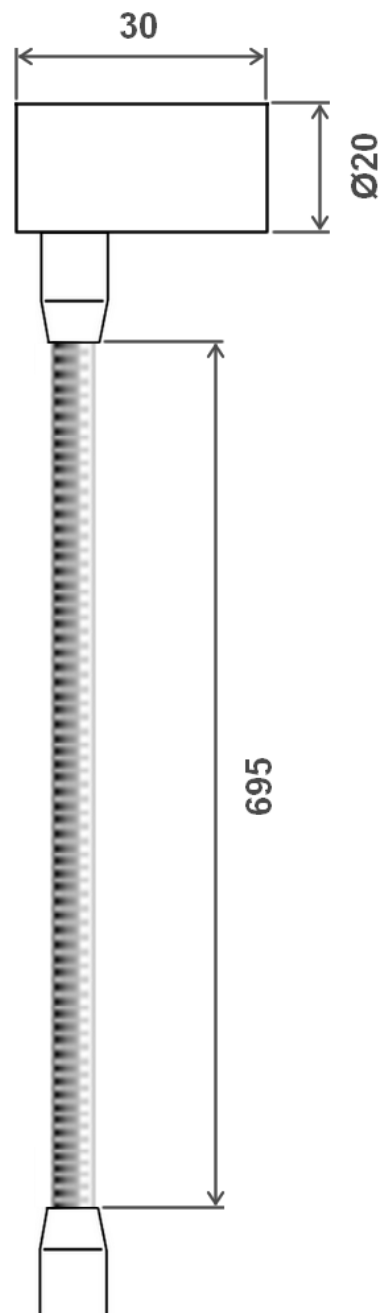


MIKRON SWAN-NECK

Standard version



Low Luminance version



All the connections have to be made before powering up,
otherwise the luminaire could be seriously damaged.

Creation : 2018.11.29 / Last update : 2025.07.24

LOUSS

BEST SAS, Capital 200 000€
RCS Dijon B 408 483 485
TVA/VAT n° : FR94 408 483 485
APE 2612Z

Tel. : +33 380 48 65 68
contact@louss.fr
www.louss.fr
Best & LOUSS

Siège social / Head Office
PA Les Terres d'Or
Route de Saint Philibert
21220 Gevrey Chambertin - FRANCE