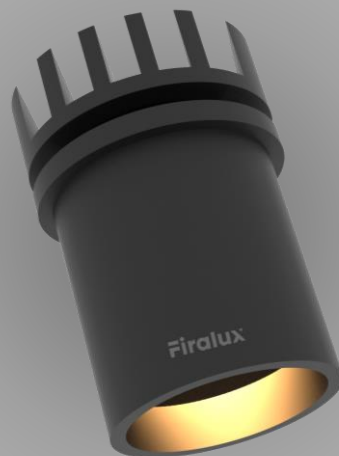




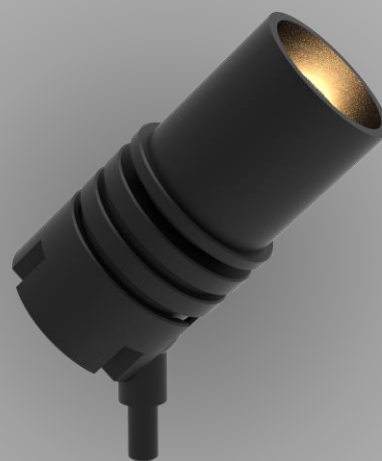
Microfiled Simple



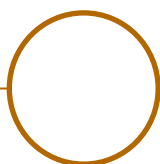
Microfiled Low Luminance



Microfiled Simple Patella

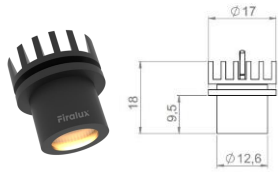


Microfiled Low Luminance Patella

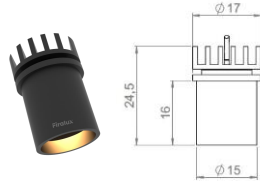


## MICROFILED

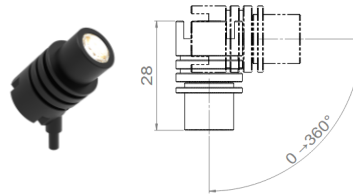
The miniature spotlight



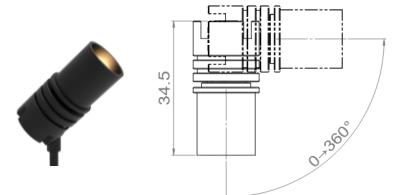
Microfiled Simple



Microfiled Low Luminance



Microfiled Simple Patella



Microfiled Low Luminance Patella

## MICROFILED

<b>Gamme</b>	Small spotlight for accent lighting
<b>Description</b>	Matt finish black anodized aluminium Supplied in standard or low luminance version
<b>Dimensions</b>	Installation diameter : 13mm simple version - 15mm Low Luminance version Length : 19mm Simple version - 25mm Low Luminance version
<b>Net weight</b>	0.020 kg
<b>LED characteristics</b>	1 LED : 2700K - 3000K - 3500K - 4000K - 5000K MacAdam ellipse : 3SDCM CRI : 92 R9>80
<b>Optical beam</b>	16° - 21° - 40° - 65° - 17°x49°
<b>Connection</b>	Delivered with 0.5m cable (other length upon request) Individual connection or connection in series on external constant current driver Optional : Easy plug system (110mm or 250mm cable + male & female quick connectors)
<b>Separate power supply</b>	≤ 700mA constant current driver
<b>LED power</b>	2W at 700mA max
<b>Use limitations</b>	The product must be installed into a ventilated area. Any use with an ambient temperature higher than the specified ambient temperature (Ta) would lead to a more rapid mortality of the product and the withdrawal of our guarantees. The drivers, if not delivered by LOuss, must be approved before use.
<b>Warranty</b>	Life span: L80B10 at 50,000 hours (80% remaining flux) at 25°C ambient temperature. 3-year parts and labour warranty. The warranty does not apply to products that have been opened, modified or repaired and does not cover the effects of a wrong connection, careless, abusive handling, overvoltage, lighting injury, as well as the normal wear of the product. All products are electrically tested and received a functional burn-in.

All the connections have to be made before powering up, otherwise the luminaires could be seriously damaged.

2/5

LOuss

Last update : 18.11.2024 - R

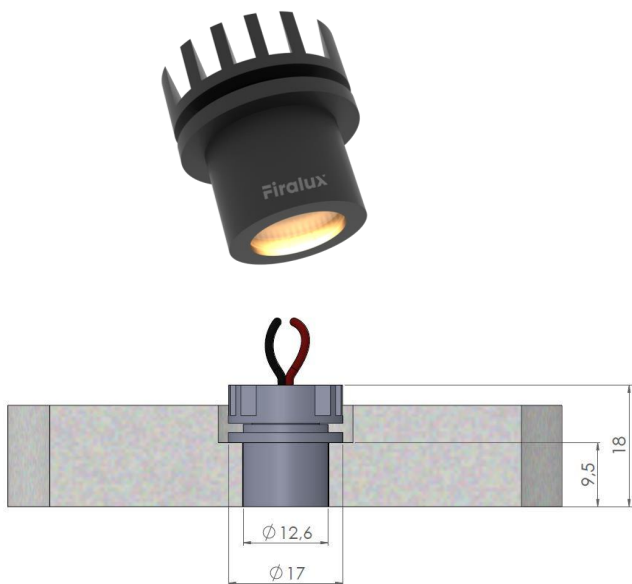
Firalux & LOuss brands

SARL, Capital 40 000€  
RCS DIJON B 503 367 245  
TVA/VAT n°: FR24 503 367 245  
APE 4676Z

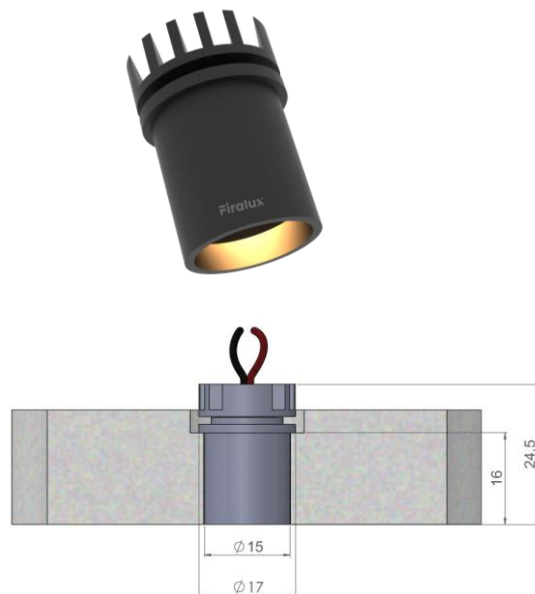
Tel. : +33 380 48 65 68  
contact@louss.fr  
[www.louss.fr](http://www.louss.fr)  
Best group

Siège social / Head Office  
PA Les Terres d'Or  
Route de Saint Phillibert  
21220 Gevrey Chambertin - FRANCE

## MICROFILED SIMPLE

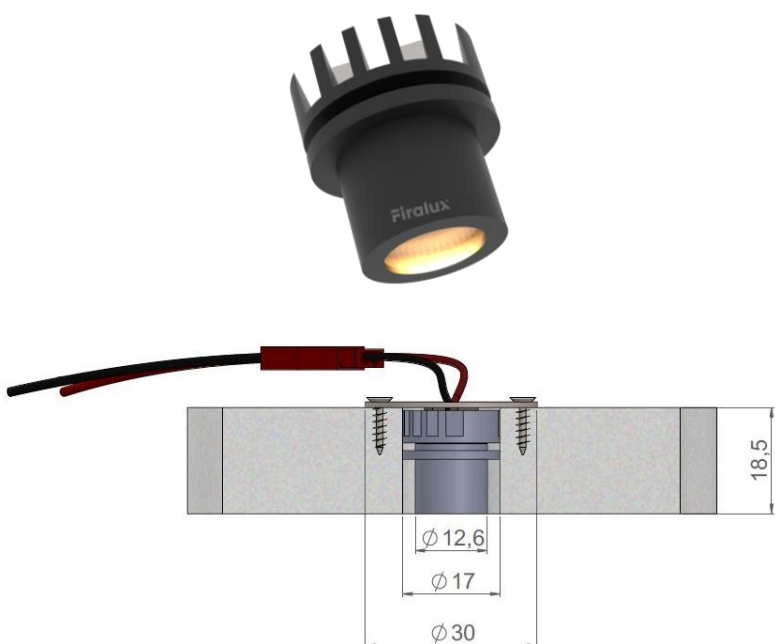


## MICROFILED LOW LUMINANCE

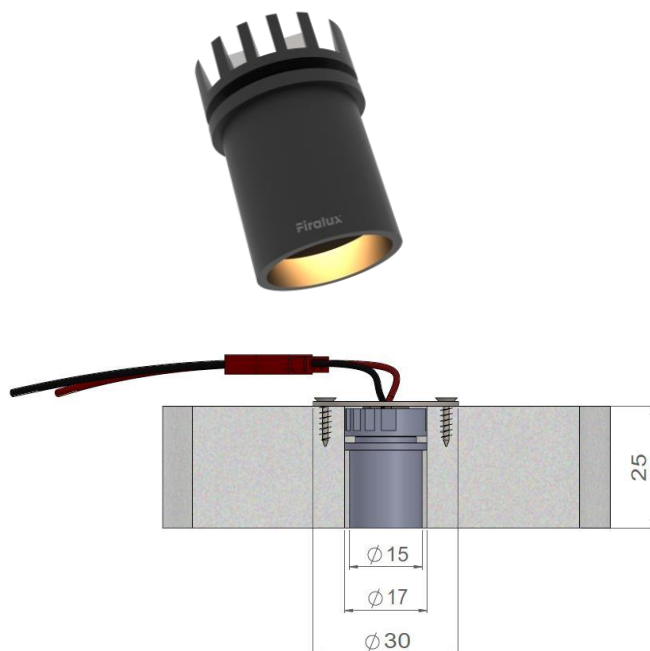


Installation from above

## MICROFILED SIMPLE MAGNETIC



## MICROFILED LOW LUMINANCE MAGNETIQUE



Installation par below

LOUSS

SARL, Capital 40 000€  
RCS DIJON B 503 367 245  
TVA/VAT n°: FR24 503 367 245  
APE 4676Z

Last update : 18.11.2024 - R

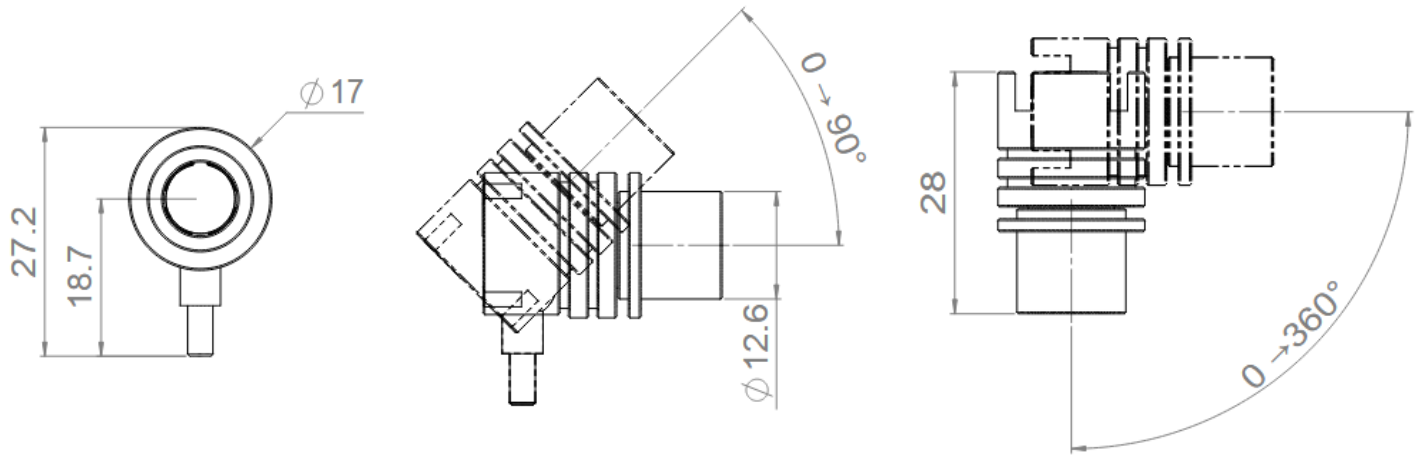
Tel. : +33 380 48 65 68  
contact@louss.fr  
[www.louss.fr](http://www.louss.fr)  
Best group

Siège social / Head Office  
PA Les Terres d'Or  
Route de Saint Philibert  
21220 Gevrey Chambertin - FRANCE

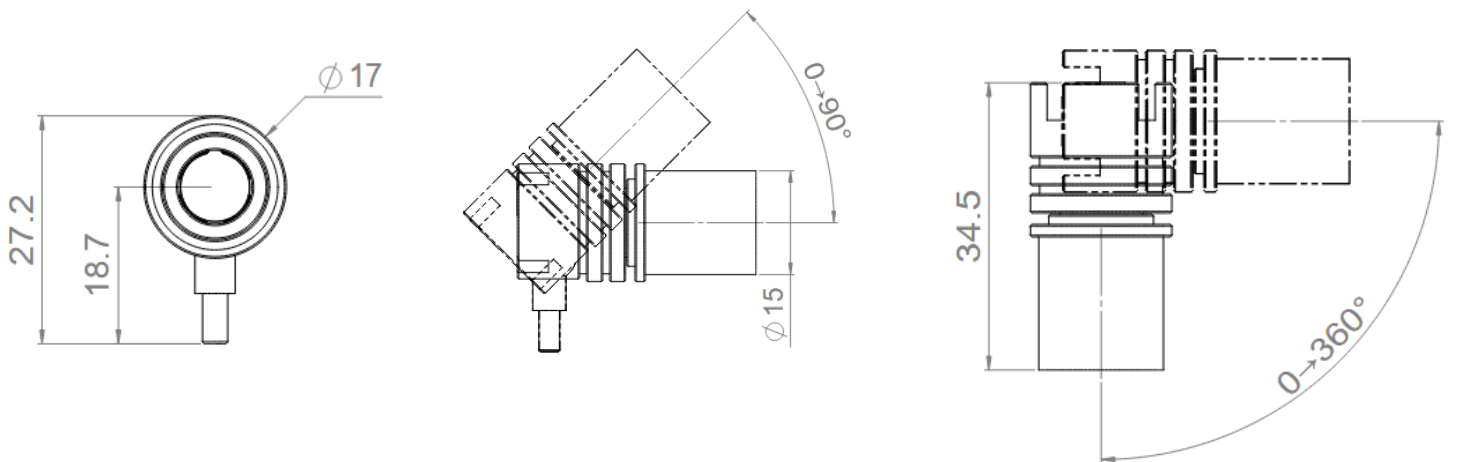


# MICROFILED PATELLA

Simple Version



Low Luminance Version



# MICROFILED LOW LUMINANCE MAGNETIC



Installation principle from below

