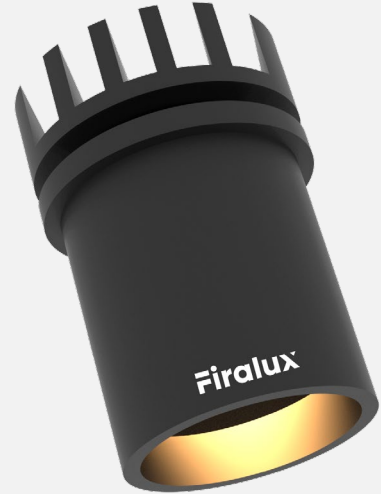




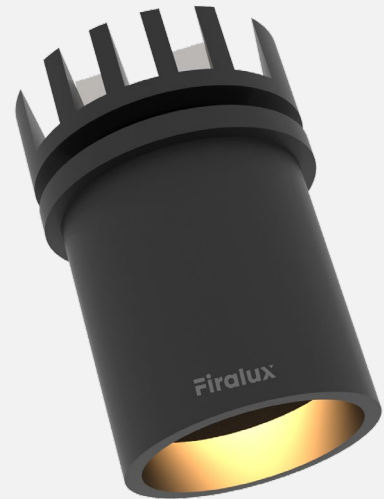
Simple



Low Luminance



Magnetic Simple



Magnetic Low Luminance



MICROFILED



MICROFILED • Simple • Low Luminance • Magnetic Simple • Magnetic LL

Range	Very small recessed spotlight for accent lighting	
Description	Body, heat sink & low luminance tube in anodized aluminum Supplied in Simple or Low Luminance version Magnetic versions : Supplied with a metallic disk for fixation with magnets (see drawings)	
Finish	Black anodized matt finish	
Dimensions	Simple • Low Luminance	Magnetic Simple • Low Luminance
	Spotlight diameter : 12.6mm (Simple) 15mm (LL) Length : 18mm (Simple) 24.5mm (LL) Installation diameter : 17mm	Spotlight diameter : 12.6mm (Simple) 15mm (LL) Length : 18.5mm (Simple) 25mm (LL) Installation diameter : 17mm Disk diameter : 30mm
LED characteristics	2700K – 3000K – 3500K – 4000K – 5000K MacAdam ellipse : 3 SDCM CRI > 92 R9>80	
Optical beams	16° - 20° - 40° - 55° - 65° - 17°x49°	
Connection	Supplied with 0.5m cable Individual connection or connection in series on external constant current driver Optional : Easy plug system (25cm cable + male & female quick connectors + shunt)	
Separate power supply	350mA max external constant current driver For the US & Canada use a UL class 2 driver	
LED power	1.05W	
Use limitations	The product must be installed into a ventilated area Any use with an ambient temperature higher than the specified ambient temperature (Ta) would lead to a more rapid mortality of the product and the withdrawal of our guarantees The drivers, if not delivered by LOuss, must be approved before use Electrical safety rating : III IP rating : 40	
Warranty	Life span: L80-B10 = 35,000 hours (80% remaining flux) at 30°C ambient temperature The warranty applies to components and fabrication supplied by LOuss The warranty does not apply to products that have been opened, modified or repaired and does not cover the effects of a wrong connection, careless, abusive handling, overvoltage, lighting injury, as well as the normal wear of the product All products are electrically tested and receive a functional burn-in	

All the connections have to be made before powering up,
otherwise the luminaires could be seriously damaged

Creation : 27.06.2022 / Last update : 2025.07.21 - R

LOuss

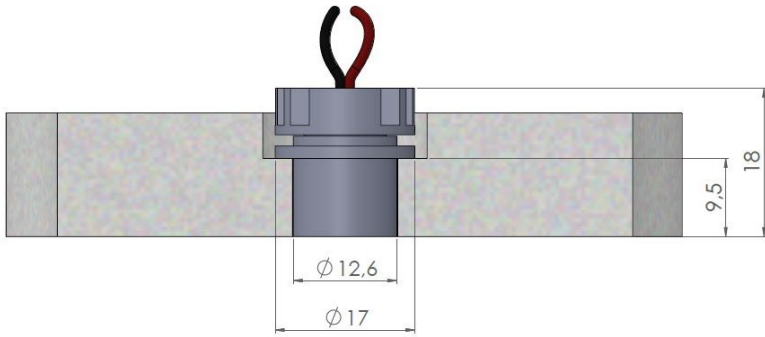
BEST SAS, Capital 200 000€
RCS Dijon B 408 483 485
TVA/VAT n° : FR94 408 483 485
APE 2612Z

Tel. : +33 380 48 65 68
contact@louss.fr
www.louss.fr
Best & LOuss

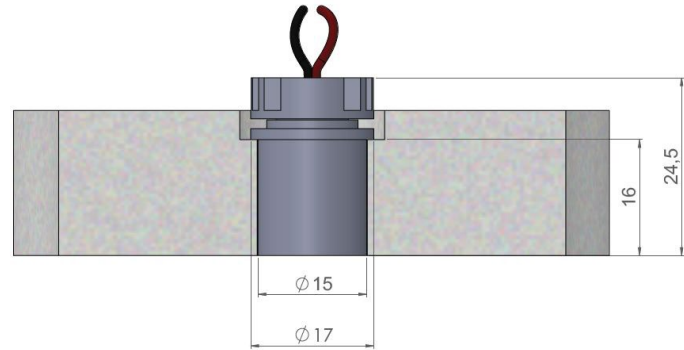
Siège social / Head Office
PA Les Terres d'Or
Route de Saint Philibert
21220 Gevrey Chambertin - FRANCE



MICROFILED SIMPLE • LOW LUMINANCE



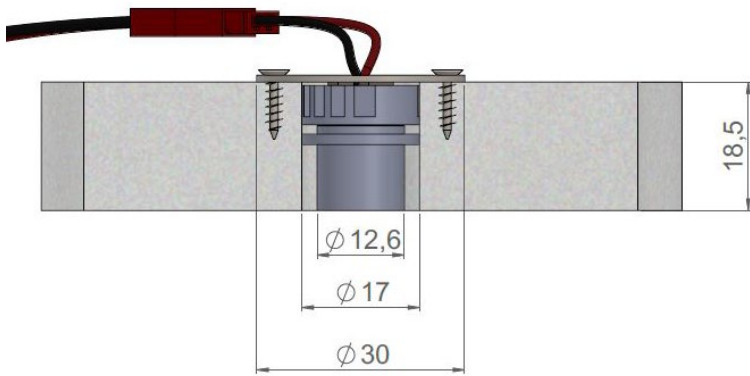
Simple



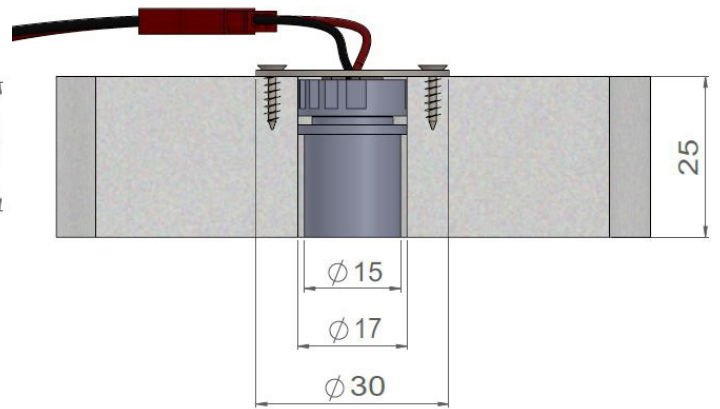
Low Luminance



MICROFILED MAGNETIC SIMPLE • LOW LUMINANCE



Simple



Low Luminance

All the connections have to be made before powering up,
otherwise the luminaires could be seriously damaged

Creation : 27.06.2022 / Last update : 2025.07.21 - R

LOUSS

BEST SAS, Capital 200 000€
RCS Dijon B 408 483 485
TVA/VAT n° : FR94 408 483 485
APE 2612Z

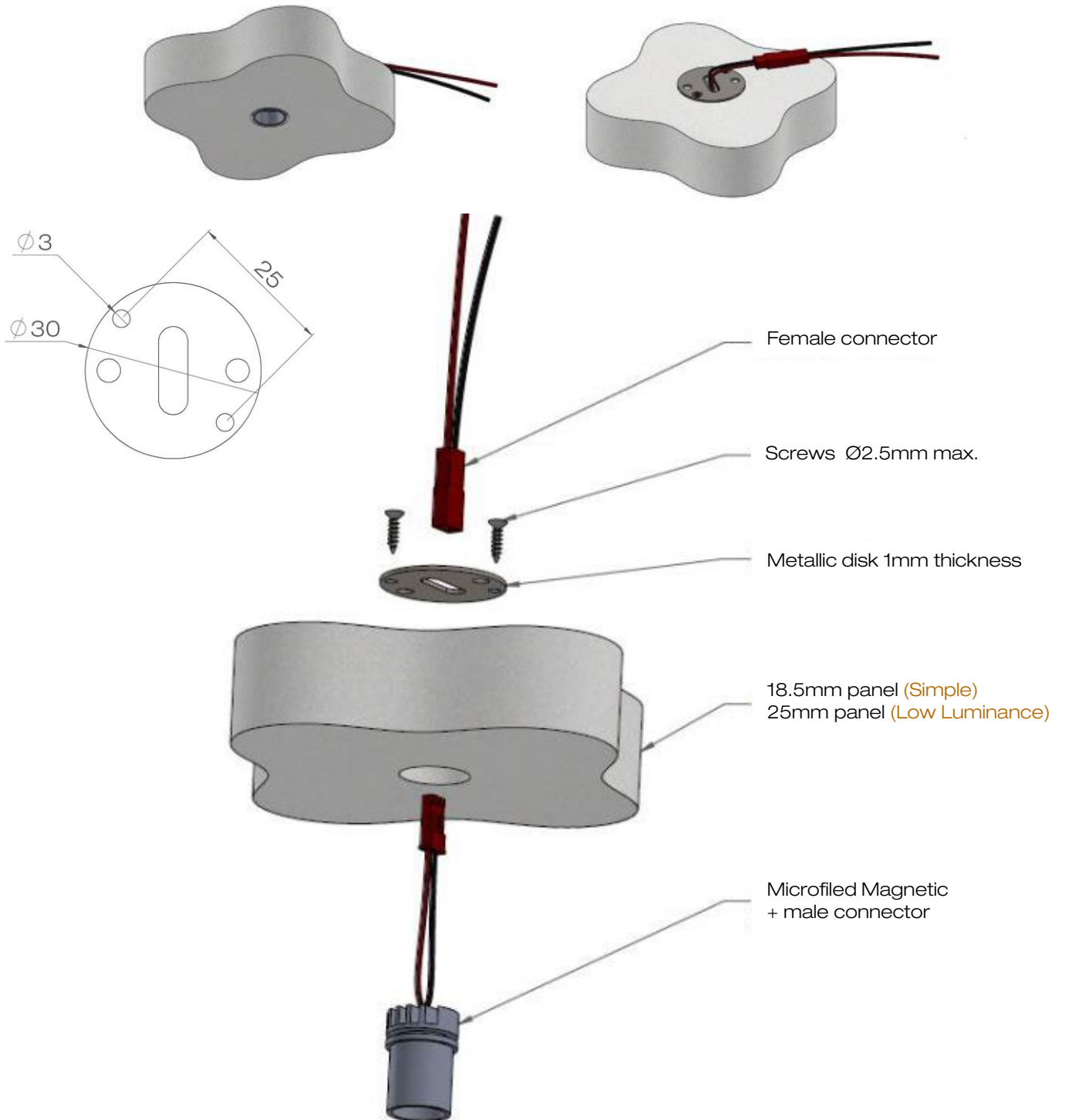
Tel. : +33 380 48 65 68
contact@louss.fr
www.louss.fr
Best & LOUSS

Siège social / Head Office
PA Les Terres d'Or
Route de Saint Philibert
21220 Gevrey Chambertin - FRANCE



MICROFILED MAGNETIC SIMPLE • LOW LUMINANCE

Installation Guide



All the connections have to be made before powering up,
otherwise the luminaires could be seriously damaged

Creation : 27.06.2022 / Last update : 2025.07.21 - R

LOUSS

BEST SAS, Capital 200 000€
RCS Dijon B 408 483 485
TVA/VAT n° : FR94 408 483 485
APE 2612Z

Tel. : +33 380 48 65 68
contact@louss.fr
www.louss.fr
Best & LOUSS

Siège social / Head Office
PA Les Terres d'Or
Route de Saint Philibert
21220 Gevrey Chambertin - FRANCE