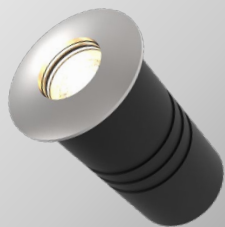


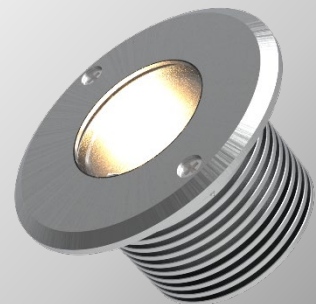
MAGMATO RANGE



MAGMATO 40



MAGMATO 80



MAGMATO 95



MAGMATO 200

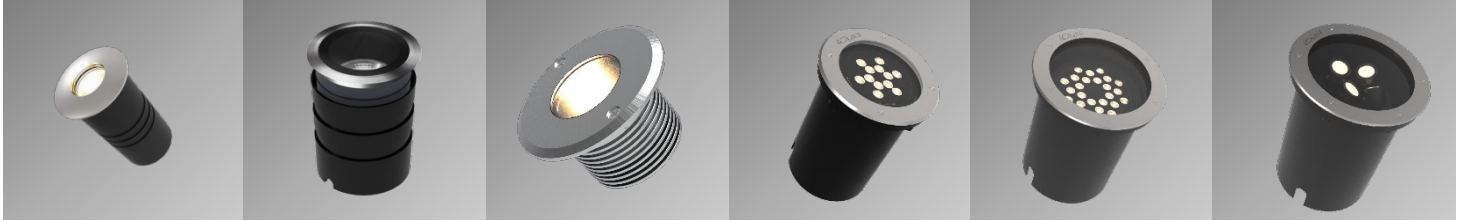


MAGMATO 300



MAGMATO 300M





MAGMATO

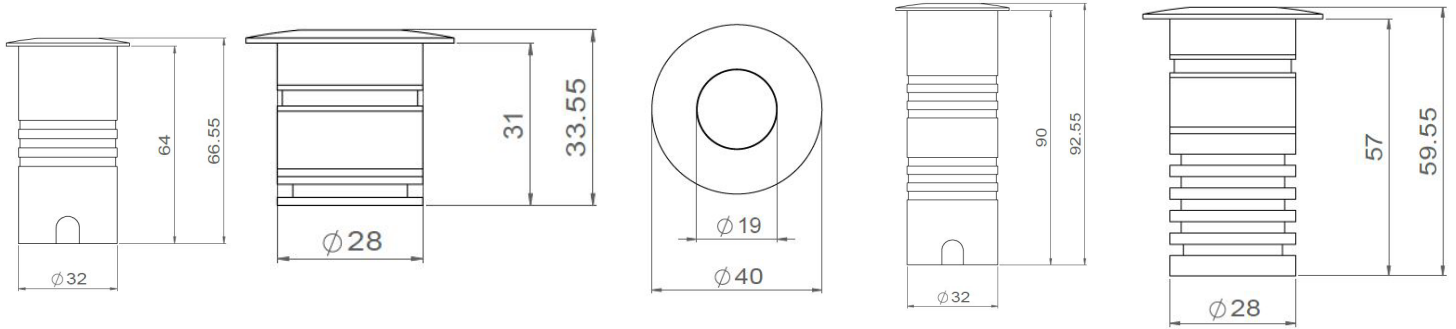
Common characteristics

Range	Recessed architectural floodlighting
Description	Body in aluminium, head in stainless steel Armoured glass Delivered with recessed box
Connection	Delivered with 1m standard cable (more length upon request) Connection in series on external constant current driver
Use limitations	The product must be installed into a ventilated area. Any use with an ambient temperature higher than the specified ambient temperature (Ta) would lead to a more rapid mortality of the product and the withdrawal of our guarantees. The drivers, if not delivered by LOuss, must be approved before use.
Warranty	Life span: L80B10 at 50,000 hours (80% remaining flux) at 25°C ambient temperature. 3-year parts and labour warranty. The warranty does not apply to products that have been opened, modified or repaired and does not cover the effects of a wrong connection, careless, abusive handling, overvoltage, lighting injury, as well as the normal wear of the product. All products are electrically tested and received a functional burn-in.

All the connections have to be made before powering up,
otherwise the luminaires could be seriously damaged.

Short model - 350mA maxi

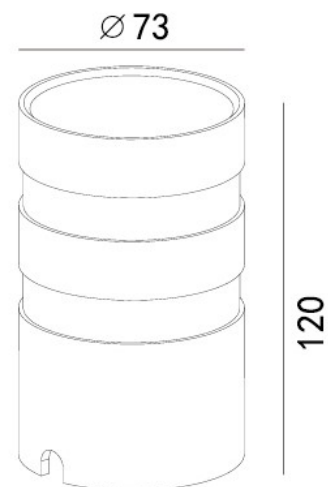
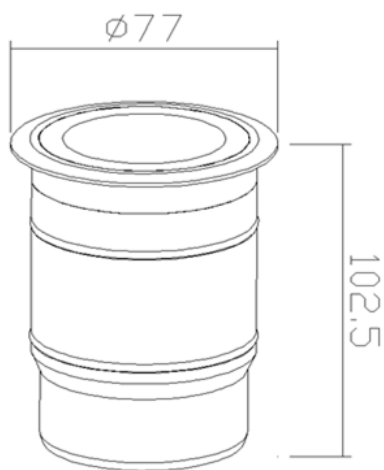
Long model - 350mA / 700mA



MAGMATO 40

Dimensions	External diameter: 40 mm Length: 67.30 mm (short model) or 91 mm (long model)
LED characteristics	1 LED: 2200K - 2700K - 3000K - 4000K - 5000K - 6500K (other LED colours upon request)
Optical beam	15° - 35° - 40° - 60° (other upon request)
Separate power supply	Short model : 350mA constant current driver Long model: 350mA - 500mA - 700mA
Integrated power supply	Long model : 12V or 24V
LED power	350mA: 1.2W - Short and long model 500mA: 1.8W - Long model 700mA: 2.4W - Long model 12V or 24V: 1.5W - Long model

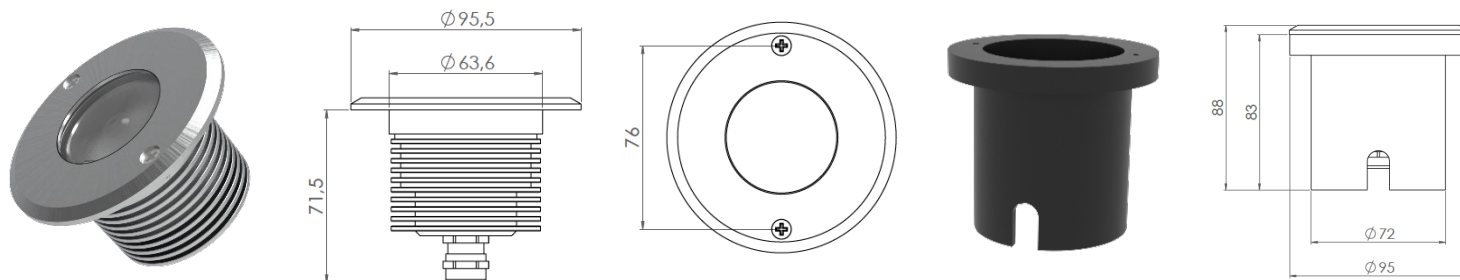
All the connections have to be made before powering up, otherwise the luminaires could be seriously damaged.



MAGMATO 80

Dimensions	<p><u>Luminaire:</u> External diameter : 77 mm - Length : 103 mm</p> <p><u>Recessed box:</u> Diameter : 73mm - Length: 120mm</p>
LED characteristics	1 LED: 2700K – 3000K – 3500K – 4000K – 5000K (other upon request) CRI 80 – 90 - 95
Optical beam	4° - 6° - 15° - 30° - 40° - 25x50° elliptical – Wall Washer (other upon request)
Integrated driver	24V
LED power	7W

All the connections have to be made before powering up,
otherwise the luminaires could be seriously damaged.



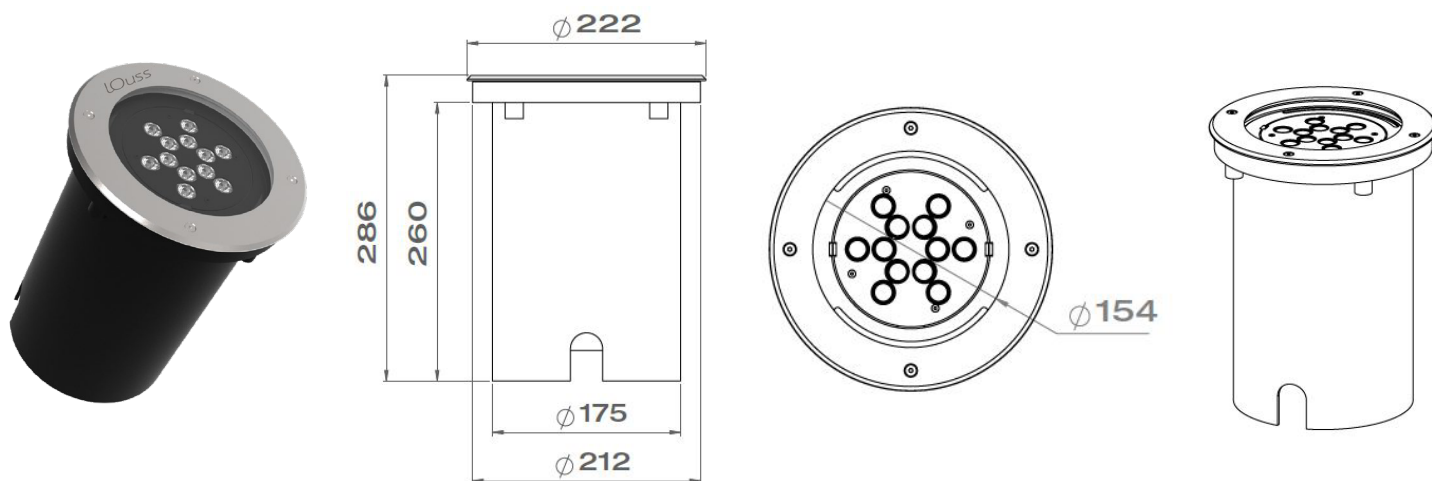
MAGMATO 95

Dimensions	External diameter : 95 mm
-------------------	---------------------------

Net Weight	0.5 kg
-------------------	--------

	LED characteristics	Optical beam	Power consumption
4en1 1 LED version	2200K – 2700K – 3000K – 4000K – 5000K – 6500K – Twin White – RGBW (other LED colours upon request) 600 to 800Lm at 700mA	Very high-performance 6° - 10° - 15° - 25° - 35° 6°x32° elliptic	350mA: 3.6W 500mA: 5.4W 700mA: 7.2W
1 COB version	2200K – 2700K – 3000K – 4000K – 5000K – 6500K – Twin White – RGBW (other LED colours upon request) 1,000Lm at 350mA	Very high-performance 12° - 25° - 35° 12°x50° elliptic with filter	350mA: 10W
3 LED version	2200K – 2700K – 3000K – 4000K – 5000K – 6500K – Twin White – RGBW (other LED colours upon request) 500 to 600Lm at 700mA	14° - 25° - 30° - 40° - 60° 18°x36° elliptic	350mA: 3.6W 500mA: 5.4W 700mA: 7.2W

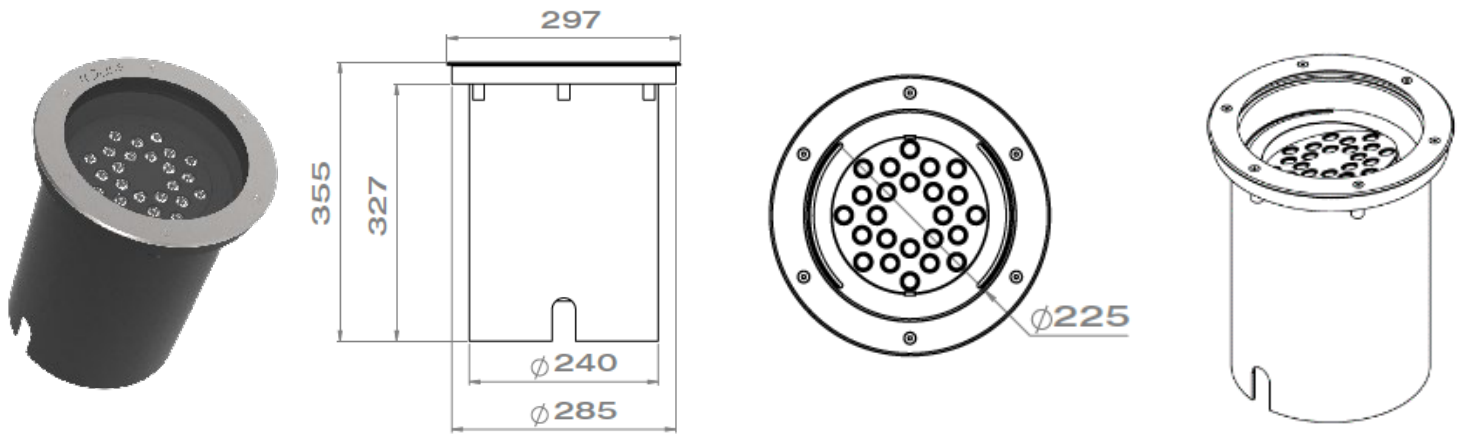
All the connections have to be made before powering up, otherwise the luminaires could be seriously damaged.



MAGMATO 200

Description	<p>Body in cast aluminium</p> <p>Chisel head 20°: 316L stainless steel with 5 joules IK10 glass</p> <p>Dedicated recessed box</p> <p>Static load capacity: 2500 kg</p>
Dimensions	<p>External diameter: 223mm</p> <p>Installation: D.213mm</p> <p>Height: 290mm</p>
LED characteristics	<p>12/18 LED: 2200K – 2700K – 3000K – 4000K – 5000K – 6500K (other LED colours upon request)</p> <p>18 LED: RGBW – Twin White</p>
Optical beam	<p>15° - 30° - 40° - 60° - 12x50 or 18x36 elliptical (other optical beam upon request)</p>
Integrated power supply	<p>350mA – 500mA</p>
LED power	<p>350mA : 15W (12 LED) – 22W (18 LED) – 29 W (18 LED full RGBW)</p> <p>500mA : 33W (18 LED)</p>

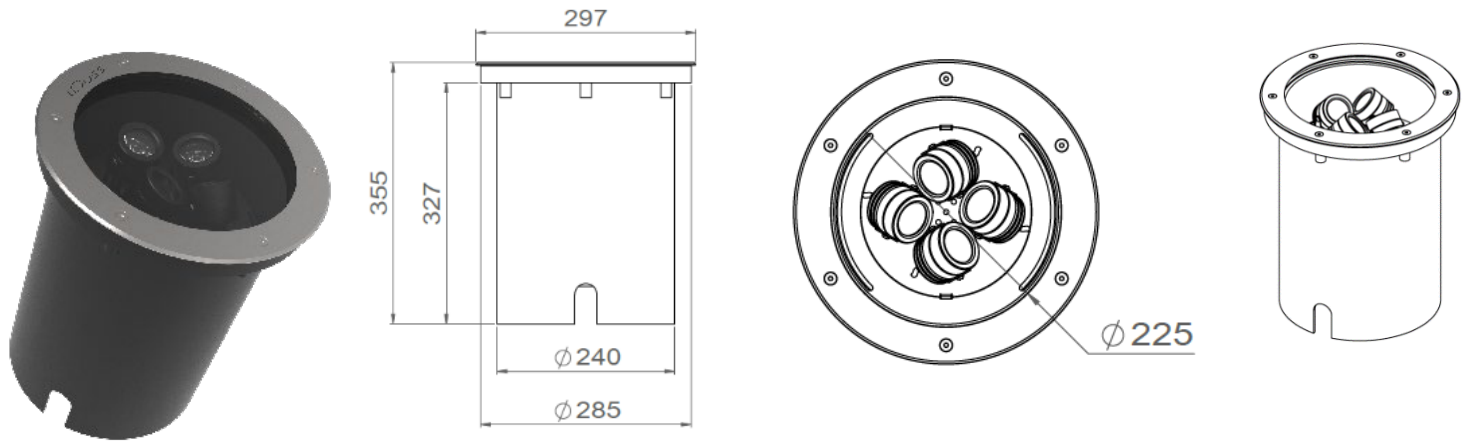
All the connections have to be made before powering up, otherwise the luminaires could be seriously damaged.



MAGMATO 300

Description	<p>Body in cast aluminium</p> <p>Chisel head 20°: 316L stainless steel with 5 joules IK10 glass</p> <p>Dedicated recessed box</p> <p>Static load capacity: 2500 kg</p>
Dimensions	<p>External diameter: 300mm. Installation: D. 290mm</p> <p>Height: 360mm</p>
Net Weight	7.6 kg
LED characteristics	<p>18 LED : 2200K – 2700K – 3000K – 4000K – 5000K – 6500K (other LED colours upon request)</p> <p>24 LED : Twin White - RGBW</p>
Optical beam	15° - 30° - 40° - 60° - 12x50 or 18x36 elliptical (other optical beam upon request)
Integrated power supply	350mA – 500mA – 700mA
LED power	<p>350mA : 15W (12 LED) – 22W (18 LED) – 36W (24 LED)</p> <p>500mA : 33W (18 LED)</p> <p>700mA : 40W (18 LED)</p>

All the connections have to be made before powering up, otherwise the luminaires could be seriously damaged.



MAGMATO 300M

Description	<p>2 to 4 individually adjustable spots</p> <p>Body in cast aluminium</p> <p>Chisel head 20°: 316L stainless steel with 5 joules IK10 glass</p> <p>Dedicated recessed box</p> <p>Static load capacity : 2500 kg</p>
Dimensions	<p>External diameter: 300mm. Installation: D. 290mm</p> <p>Height: 360mm</p>
Net weight	8 to 8.50 kg according to version
LED characteristics	1 to 4 LED : 2200K – 2700K – 3000K – 4000K – 5000K – 6500K (other LED colours upon request) or mix colors
Optical beam	4° - 6° - 15° - 25° - 35° - 40° - 60° - 12x50 or 18x36 elliptical (other upon request)
Integrated power supply	350mA max
LED power	8W to 16W according to version

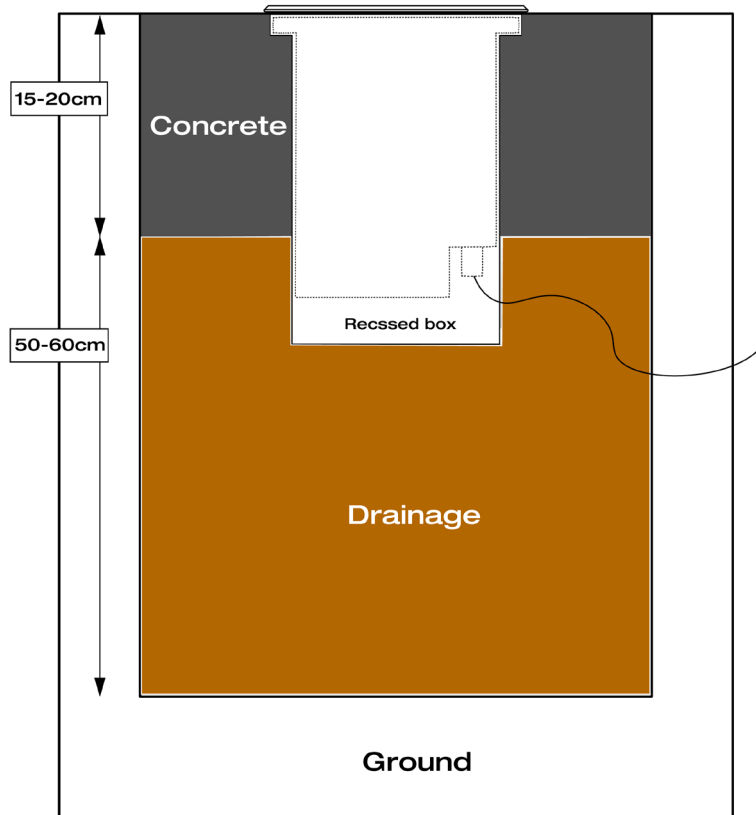
All the connections have to be made before powering up, otherwise the luminaires could be seriously damaged.

MAGMATO 200/300/300M



Installation - Safety:

It is imperative to plan a drainage of the gravel during the installation of the Magmato 200.
Plan a bigger recess than the diameter of the delivered recessed box.
Avoid installing the product in a hollow space or in a possible flooded area.
Be careful of not putting something on the recessed spot glass like a bench or chairs, *etc.*



Maintenance :

The access to the LED source and to the driver is made by unscrewing the front face.

During the dismantling, pay special attention to the glass and the joint. These two parts must be correctly and properly repositioned to make sure the device is waterproof.

Do not use tools such as screwdrivers to open the glass in order to avoid any pinching which might damage the joint.

Let the device functioning a few minutes before closing it. The generated heat will help to evaporate any moisture and will avoid the storage of mist under the glass.

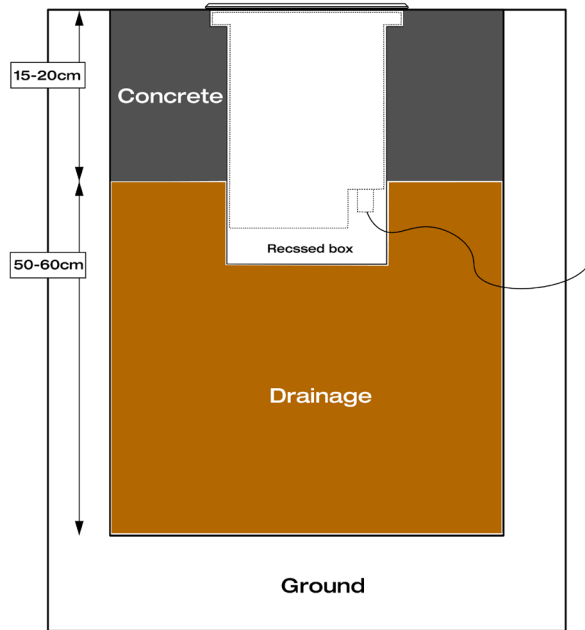
Driver's access in case of maintenance: the 230V 2P+T cable as well as the DMX In and DMX Out cables are connected on the driver on spring terminal.

MAGMATO 200/300/300M



DMX lighting system connection :

DMX cabling must be carried out with great care. DMX is a serial data protocol and a daisy chain topology should be used. The DMX cable must be connected to the main connection into waterproof boxes.



230V+DMX hybrid cable:

- Brown: Phase
- Blue: Neutral
- Yellow-green: Ground
- Integrated shielded cable:
 - Red DMX +
 - White DMX -
 - Shield

Daisy chain topology :

