

LOUSS

Lighting Emotion



C60 Trim • C75 Trim



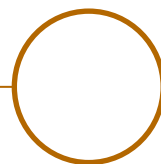
C60 Trimless • C75 Trimless



D70 Trim • D85 Trim

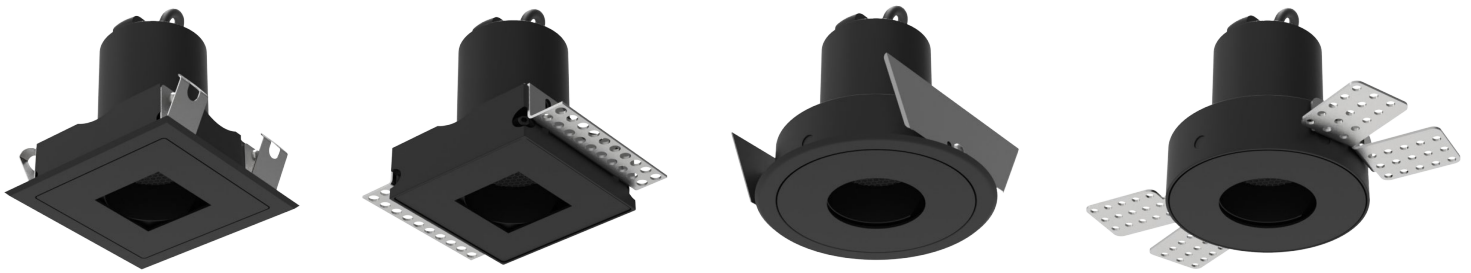


D70 Trimless • D85 Trimless



LEVANA

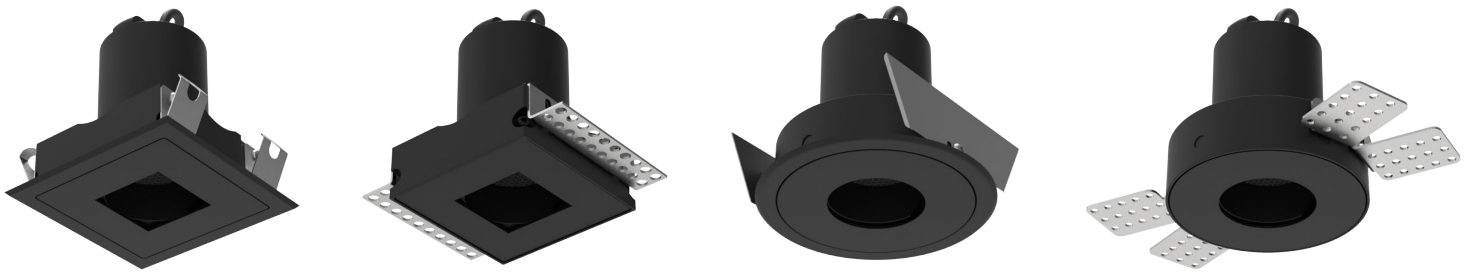
The secret downlight



LEVANA • C60 & C75 Trim • C60 & C75 Trimless • D70 & D85 Trim • D70 & D85 Trimless

Range	Square (C reference) or round (D reference) adjustable recessed downlight for general & accent lighting							
Description	Luminaire to be recessed in 10 to 20mm thick BA13 plasterboard or wood ceilings Aluminum mechanic parts Trim versions : stainless steel fixing device Trimless versions : stainless steel brackets Rotation 355° - Adjustable tilt 30° Low luminance Easily changeable LED, optics and accessories on site, without any tool, with integrated LOuss Permuto easy swap system (see page 8)							
Finish	White RAL 9003 matt finish - Black RAL 9005 matt finish (other upon request)							
Dimensions & Net weight	LEVANA C60				LEVANA C75			
	TRIM		TRIMLESS		TRIM		TRIMLESS	
	76 x 76 x 74.8mm		93 x 63 x 74.8mm With fixing brackets		91 x 91 x 90mm		108 x 78 x 90mm With fixing brackets	
	0.250 Kg		0.260 Kg		0.400 Kg		0.410 Kg	
	LEVANA D70				LEVANA D85			
	TRIM		TRIMLESS		TRIM		TRIMLESS	
86mm x 74.8mm		136 x 73mm With fixing brackets		101 x 90mm		150 x 88mm With fixing brackets		
0.300 Kg		0.310 Kg		0.450 Kg		0.460 Kg		
LED characteristics	2700K - 3000K - 3500K - 4000K MacAdam ellipse : 3 SDCM (standard version) - 2 SDCM (premium version) CRI>90 R9>50 - CRI95 R9>90 - CRI > 95 - R1 to R15 > 90							
Optical beam & Performance	LEVANA C60 / LEVANA D70				LEVANA C75 / LEVANA D85			
	Beam	Candela	Power	Photometry	Beam	Candela	Power	Photometry
	11°	10,900cd (3000K)	7W	ies 2591A	7.5°	27,500cd (3000K)	7W	ies 2629A
	15°	6,500 cd (3500K)	8W	ies 2645A	10°	19,000cd (3000K)	12W	ies 2336A
	16°	6,300 cd (3500K)	7W	ies 2642A	13°	15,700 cd (3500K)	12W	ies 2562A
	20°	4,400 cd (3500K)	7W	ies 2510A	17°	7,300 cd (3500K)	9W	ies 2568A
	23°	3,100 cd (3500K)	7W	ies 2511A	24°	3,900 cd (3500K)	12W	ies 2558A
	34°	1,700 cd (3500K)	8W	ies 2617B	32°	2,000 cd (3500K)	12W	ies 2545A
	43°	1,050 cd (3500K)	7W	ies 2513A				
	UGR < 15							

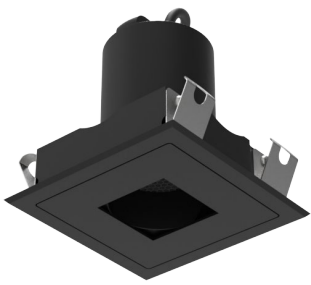
All the connections have to be made before powering up, otherwise the luminaires could be seriously damaged



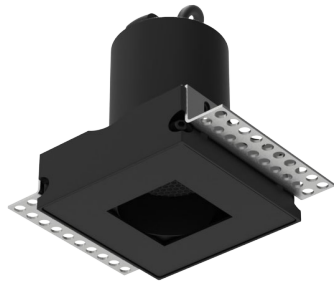
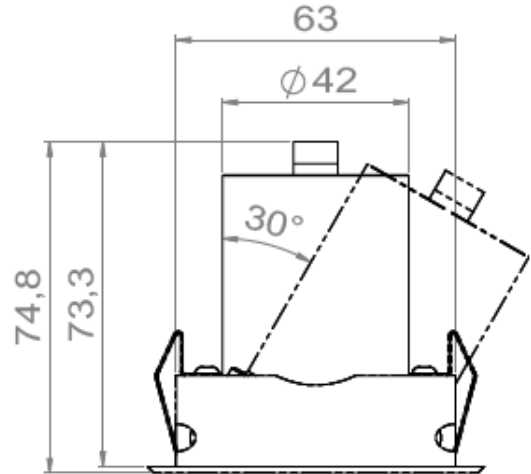
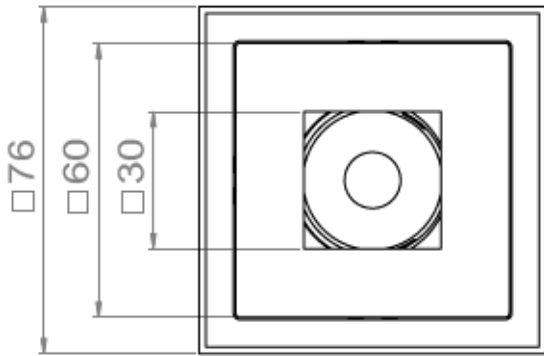
LEVANA • C60 & C75 Trim • C60 & C75 Trimless • D70 & D85 Trim • D70 & D85 Trimless

Accessories	Filter, honeycomb grid upon request			
Power	LEVANA C60 / LEVANA D70		LEVANA C75 / LEVANA D85	
	TRIM	TRIMLESS	TRIM	TRIMLESS
	≤ 10W	≤ 10W	< 13W	< 13W
Power supply	150mA to 700mA max. remote constant current driver according to version The drivers size, supplied by LOuss, is suitable for an installation through the flush-mounted box Optional : DALI remote driver, Casambi, driver For USA & Canada use UL class 2 power supply			
Installation	LEVANA C60	LEVANA D70	LEVANA C75	LEVANA D85
	Square opening 65 x 65mm	Round opening Ø 76mm	Square opening 80 x 80mm	Round opening Ø 91mm
	Luminaires supplied with 0.5m cable. Quick connector upon request The drivers can be remote to a distance up to 5m max. For greater distances (10-15m max.), please contact us. Depending on the installation, anti-surge protection may be provided with the luminaires Take into consideration the cumulative length of all the cables when connecting several luminaires in series on the same driver			
Use limitations	<p>The product must be installed into a ventilated area</p> <p>This product must not be covered by insulating material</p> <p>Any use with an ambient temperature higher than the specified ambient temperature (Ta) would lead to a more rapid mortality of the product and the withdrawal of our guarantees</p> <p>The drivers, if not delivered by LOuss, must be approved before use</p>			
Warranty	Life span: L80-B10 = 35,000 hours (80% remaining flux) at 30°C ambient temperature			
	<p>The warranty applies to components and fabrication supplied by LOuss</p> <p>The warranty does not apply to products that have been opened, modified or repaired and does not cover the effects of a wrong connection, careless, abusive handling, overvoltage, lighting injury, as well as the normal wear of the product</p> <p>All products are electrically tested and receive a functional burn-in</p>			

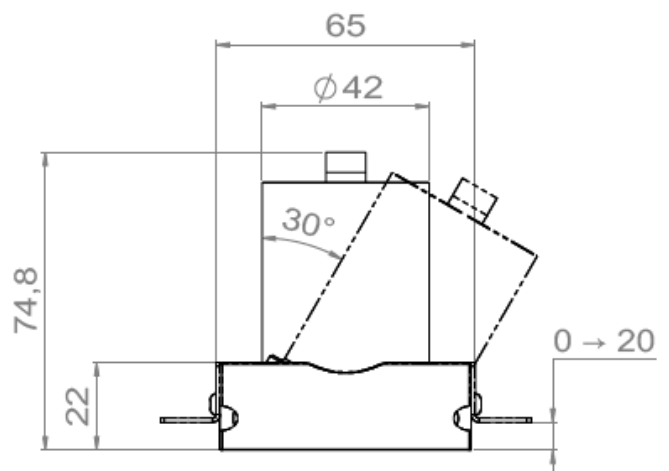
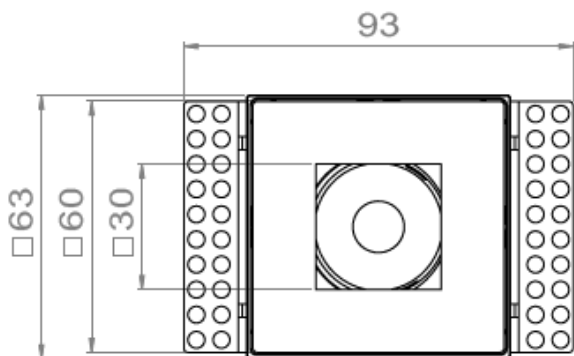
All the connections have to be made before powering up, otherwise the luminaires could be seriously damaged



LEVANA C60 TRIM



LEVANA C60 TRIMLESS



All the connections have to be made before powering up,
otherwise the luminaires could be seriously damaged

LOUSS

Creation : 2025.02.03 / Last update: 2026.05.06

4/12

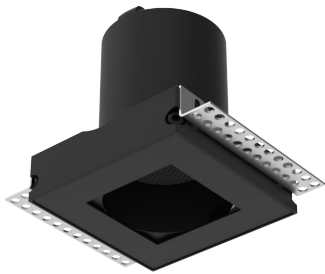
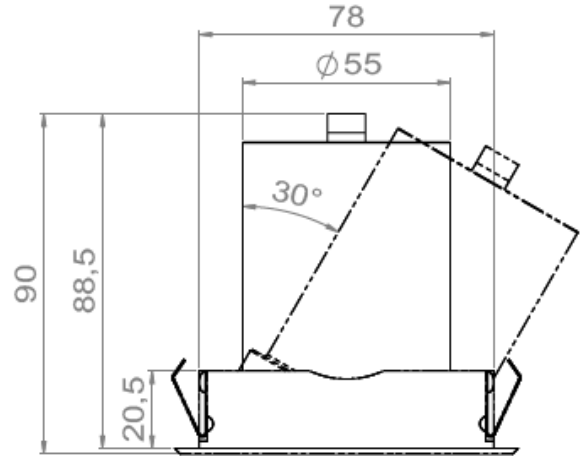
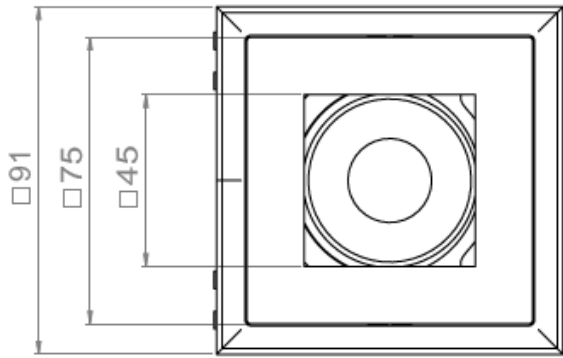
BEST SAS, Capital 200 000€
RCS Dijon B 408 483 485
TVA/VAT n° : FR94 408 483 485
APE 2612Z

Tel. : +33 380 48 65 68
contact@louss.fr
www.louss.fr
Best & LOUSS

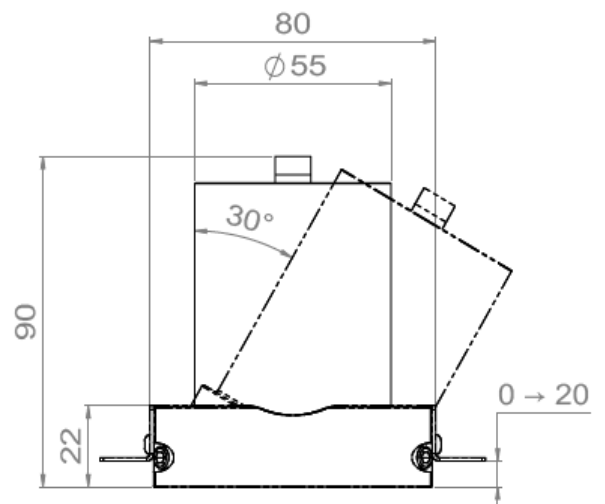
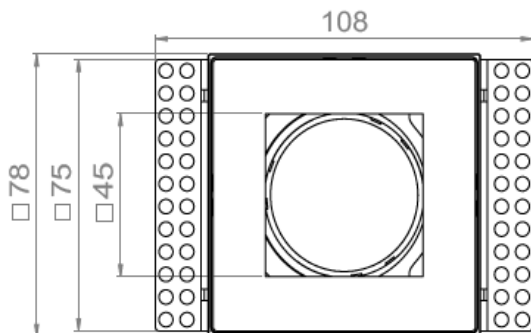
Siège social / Head Office
PA Les Terres d'Or
Route de Saint Philibert
21220 Gevrey Chambertin - FRANCE



LEVANA C75 TRIM



LEVANA C75 TRIMLESS



All the connections have to be made before powering up,
otherwise the luminaires could be seriously damaged

LOUSS

Creation : 2025.02.03 / Last update: 2026.05.06

5/12

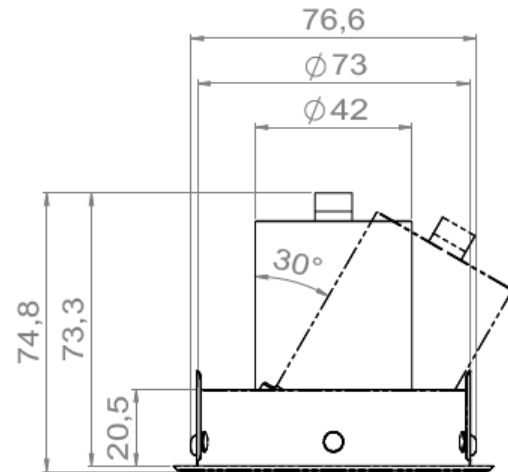
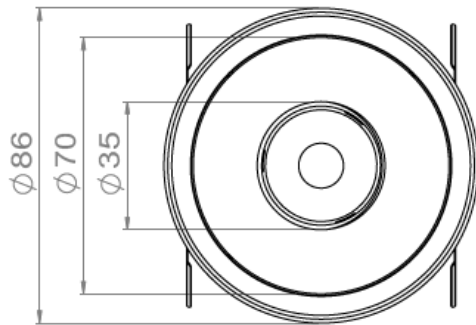
BEST SAS, Capital 200 000€
RCS Dijon B 408 483 485
TVA/VAT n° : FR94 408 483 485
APE 2612Z

Tel. : +33 380 48 65 68
contact@louss.fr
www.louss.fr
Best & LOUSS

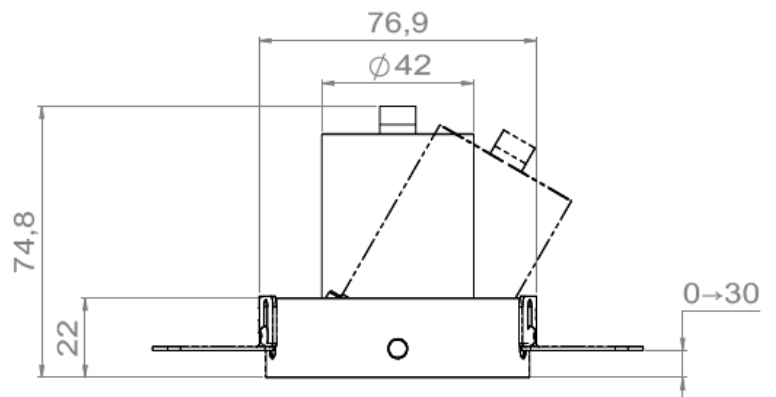
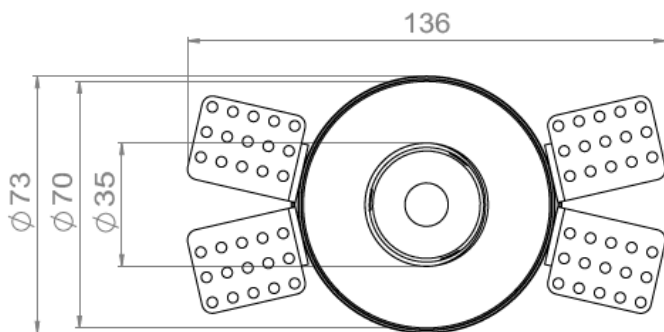
Siège social / Head Office
PA Les Terres d'Or
Route de Saint Philibert
21220 Gevrey Chambertin - FRANCE



LEVANA D70 TRIM



LEVANA D70 TRIMLESS



All the connections have to be made before powering up,
otherwise the luminaires could be seriously damaged

LOUSS

Creation : 2025.02.03 / Last update: 2026.05.06

6/12

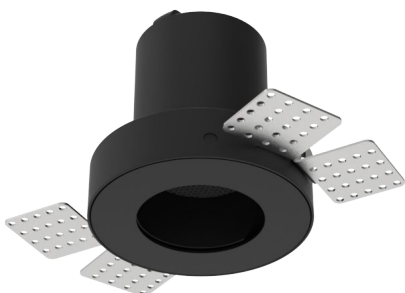
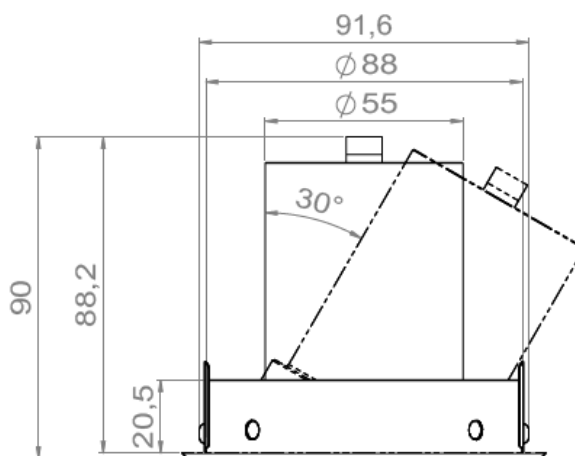
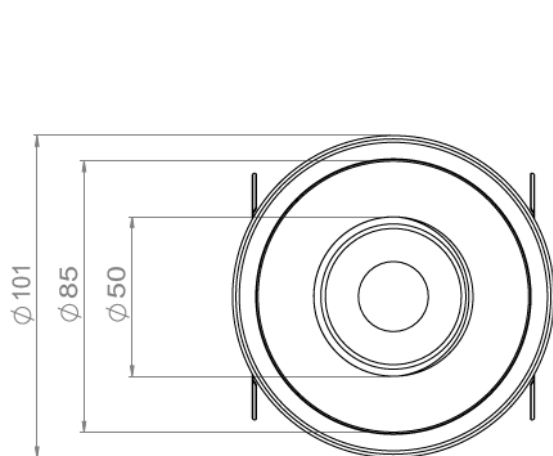
BEST SAS, Capital 200 000€
RCS Dijon B 408 483 485
TVA/VAT n° : FR94 408 483 485
APE 2612Z

Tel. : +33 380 48 65 68
contact@louss.fr
www.louss.fr
Best & LOUSS

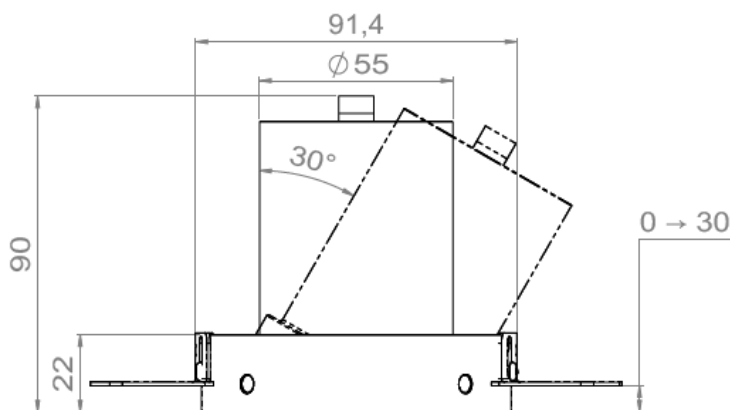
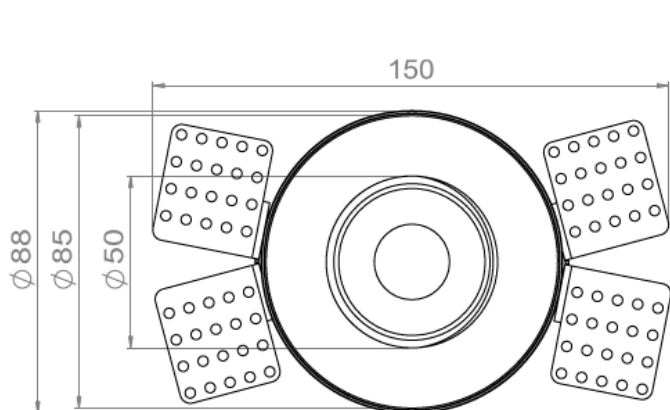
Siège social / Head Office
PA Les Terres d'Or
Route de Saint Philibert
21220 Gevrey Chambertin - FRANCE



LEVANA D85 TRIM



LEVANA D85 TRIMLESS



All the connections have to be made before powering up,
otherwise the luminaires could be seriously damaged

Louss

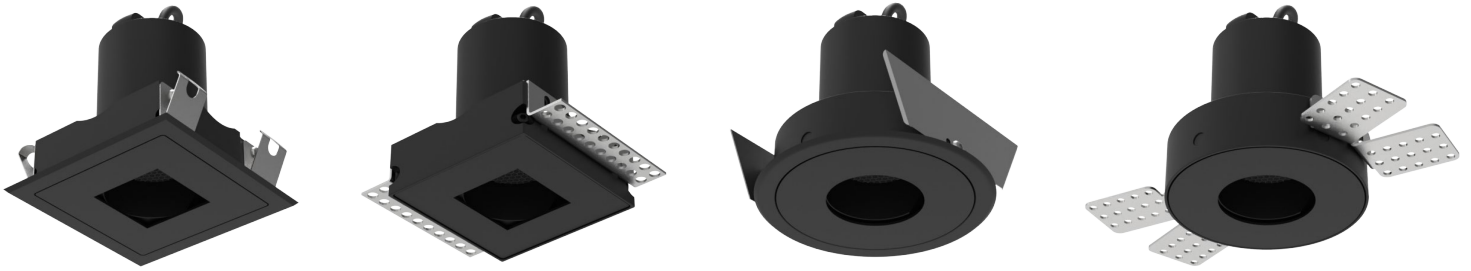
Creation : 2025.02.03 / Last update: 2026.05.06

7/12

BEST SAS, Capital 200 000€
RCS Dijon B 408 483 485
TVA/VAT n° : FR94 408 483 485
APE 2612Z

Tel. : +33 380 48 65 68
contact@louss.fr
www.louss.fr
Best & LOUSS

Siège social / Head Office
PA Les Terres d'Or
Route de Saint Philibert
21220 Gevrey Chambertin - FRANCE



LEVANA • C60 & C75 Trim • C60 & C75 Trimless • D70 & D85 Trim • D70 & D85 Trimless

LOUSS Permuto - Easy Swap system



Square or round recessed frame according to version

LED / COB

Optics

Accessories (filters, honeycomb grid...)

Spotlight body

Square or round decorative metal plate according to version

All the connections have to be made before powering up, otherwise the luminaires could be seriously damaged

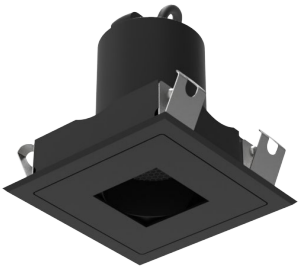
Creation : 2025.02.03 / Last update: 2026.05.06

LOUSS

BEST SAS, Capital 200 000€
RCS Dijon B 408 483 485
TVA/VAT n° : FR94 408 483 485
APE 2612Z

Tel. : +33 380 48 65 68
contact@louss.fr
www.louss.fr
Best & LOUSS

Siège social / Head Office
PA Les Terres d'Or
Route de Saint Philibert
21220 Gevrey Chambertin - FRANCE

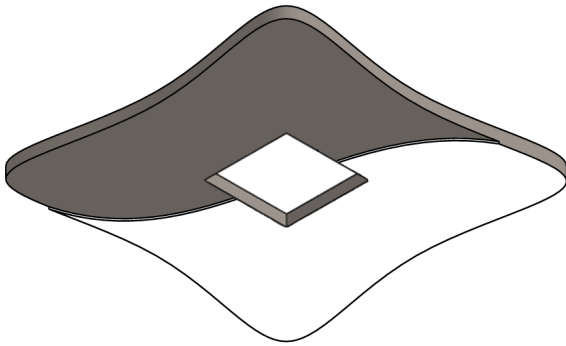


LEVANA • C60 & C75 TRIM

Installation guide

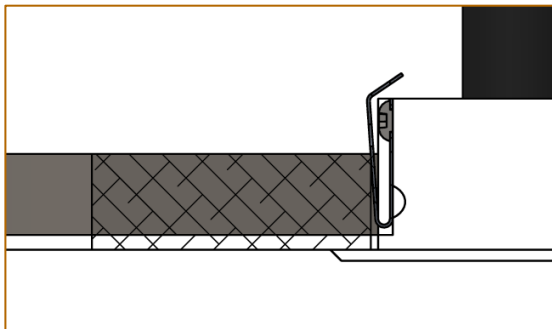
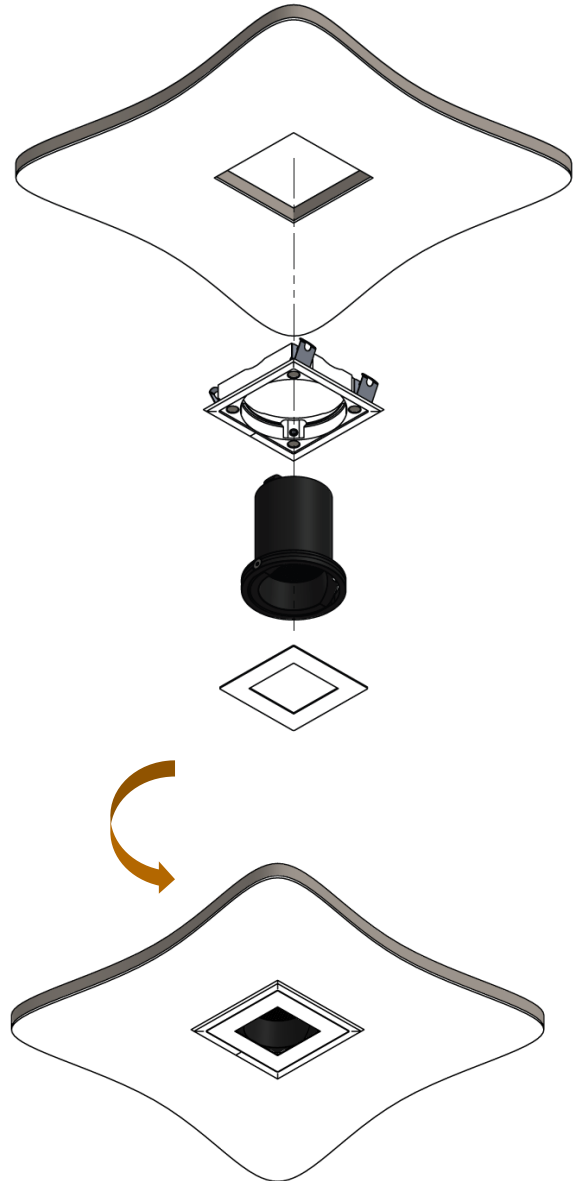
1

Surface finishing



2

Insert the spotlight from below



All the connections have to be made before powering up,
otherwise the luminaires could be seriously damaged

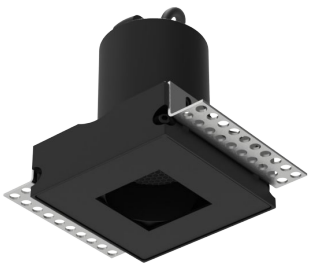
Creation : 2025.02.03 / Last update: 2026.05.06

LOUSS

BEST SAS, Capital 200 000€
RCS Dijon B 408 483 485
TVA/VAT n° : FR94 408 483 485
APE 2612Z

Tel. : +33 380 48 65 68
contact@louss.fr
www.louss.fr
Best & LOUSS

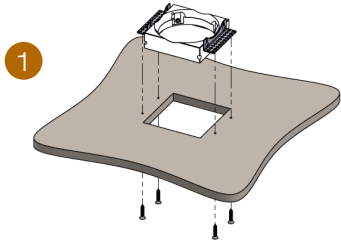
Siège social / Head Office
PA Les Terres d'Or
Route de Saint Philibert
21220 Gevrey Chambertin - FRANCE



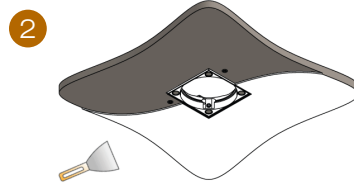
LEVANA • C60 & C75 TRIMLESS

Installation guide

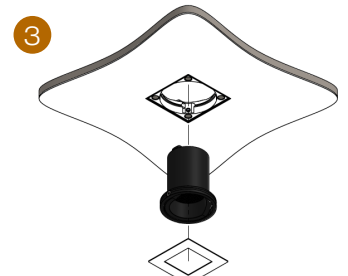
Installation from above



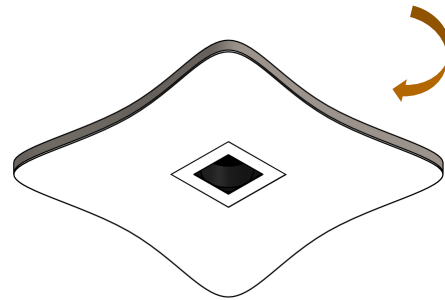
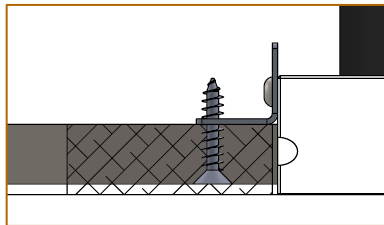
1
Install the recessed frame from above and screw it into the surface from below



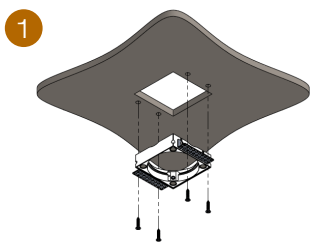
2
Cover the lateral plates of the recessed frame by coating and painting



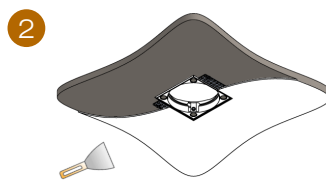
3
Insert the spotlight from below



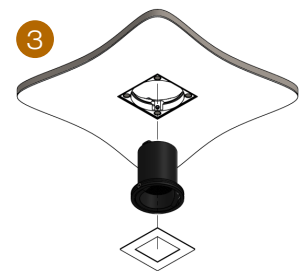
Installation from below



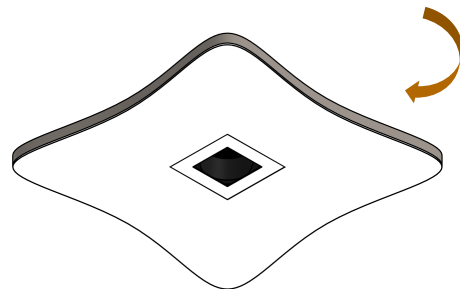
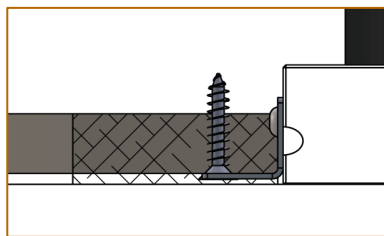
1
Install the recessed frame from below and screw it into the surface



2
Cover the lateral plates of the recessed frame by coating and painting



3
Insert the spotlight from below



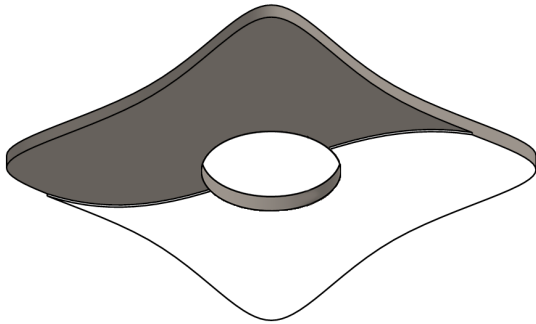
All the connections have to be made before powering up, otherwise the luminaires could be seriously damaged



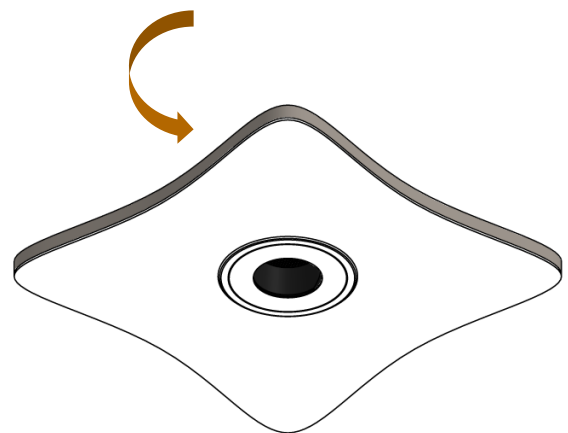
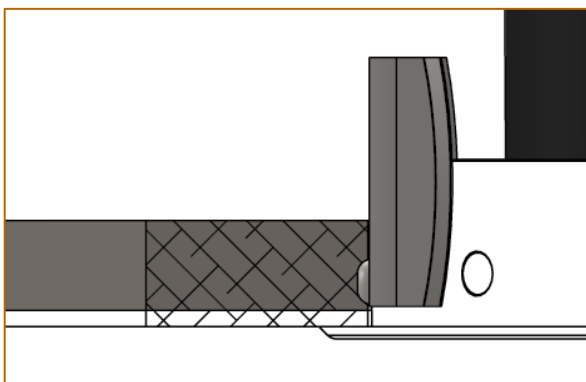
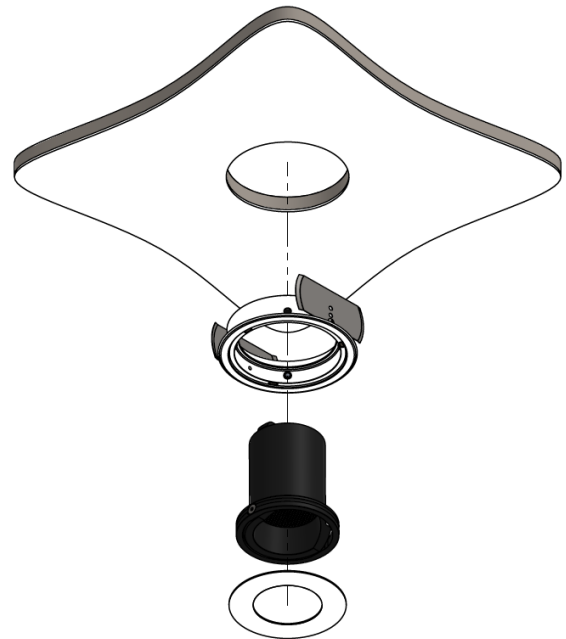
LEVANA • D70 & D85 TRIM

Installation guide

1 Surface finishing



2 Insert the spotlight from below



All the connections have to be made before powering up,
otherwise the luminaires could be seriously damaged

Creation : 2025.02.03 / Last update: 2026.05.06

LOUSS

BEST SAS, Capital 200 000€
RCS Dijon B 408 483 485
TVA/VAT n° : FR94 408 483 485
APE 2612Z

Tel. : +33 380 48 65 68
contact@louss.fr
www.louss.fr
Best & LOUSS

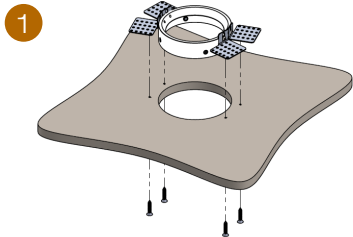
Siège social / Head Office
PA Les Terres d'Or
Route de Saint Philibert
21220 Gevrey Chambertin - FRANCE



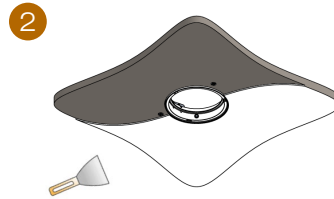
LEVANA • D70 & D85 TRIMLESS

Installation guide

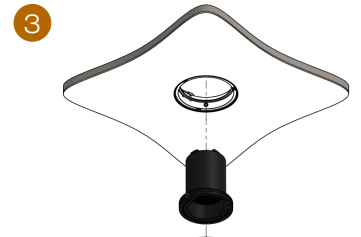
Installation from above



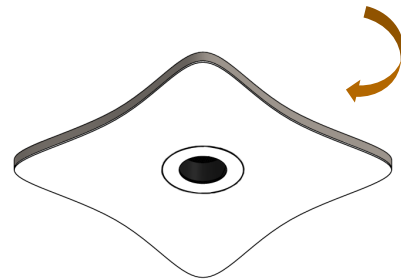
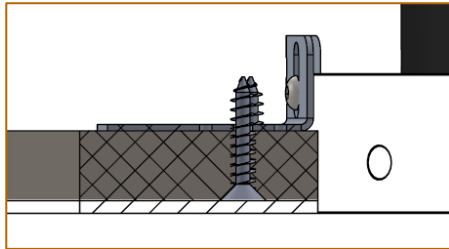
1 Install the recessed frame from above and screw it into the surface from below



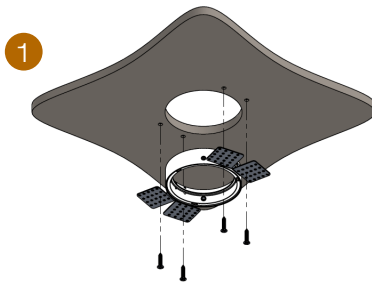
2 Cover the lateral plates of the recessed frame by coating and painting



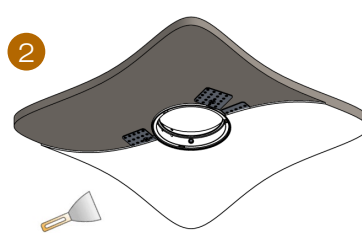
3 Insert the spotlight from below



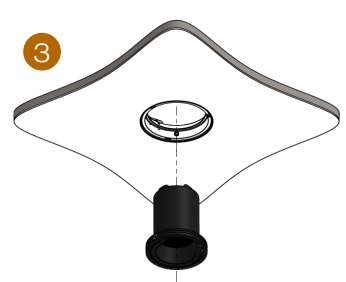
Installation from below



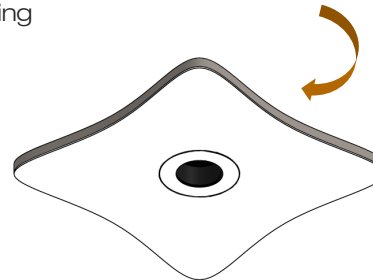
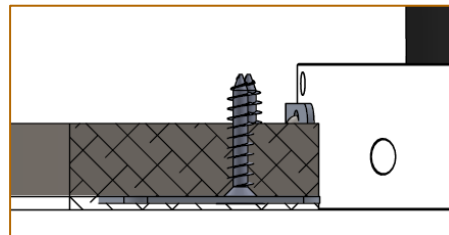
1 Install the recessed frame from below and screw it into the surface



2 Cover the lateral plates of the recessed frame by coating and painting



3 Insert the spotlight from below



All the connections have to be made before powering up, otherwise the luminaires could be seriously damaged