

Wouss

Lighting Emotion

LAMPYRIS2

*The line of light
which highlights the architecture*



Driver inside Remote driver



IK 08



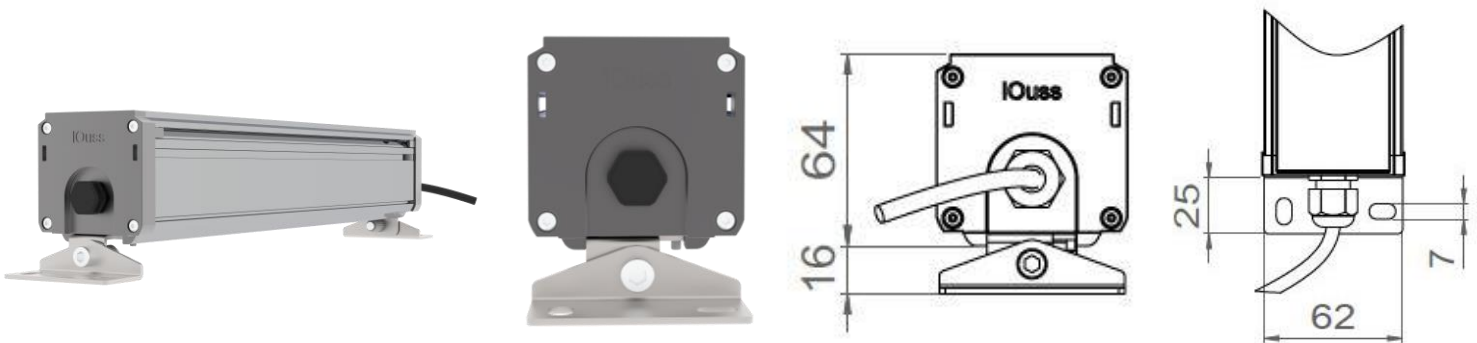
MADE IN
FRANCE



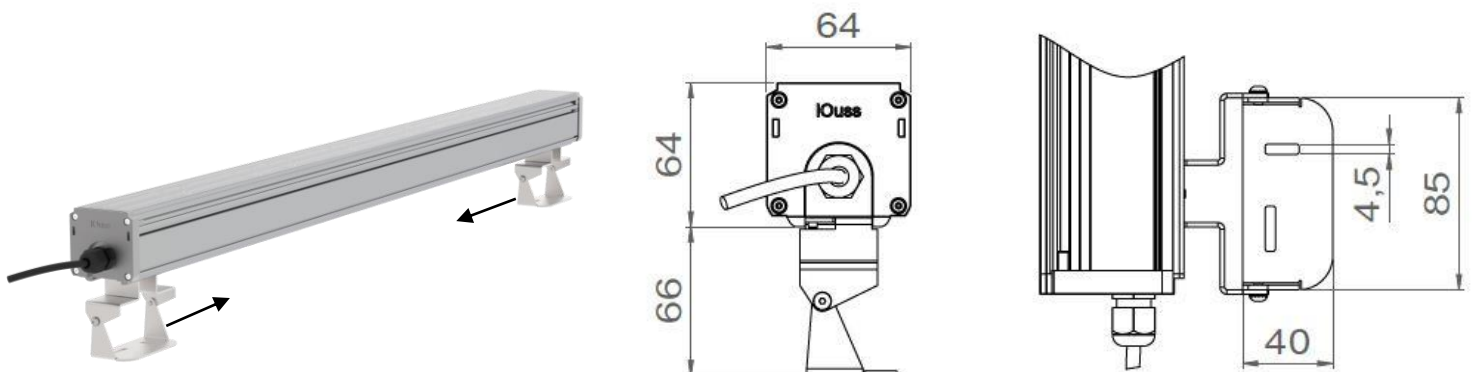
LAMPYRIS2

Range	Surface mounted architectural floodlighting
Description	Body in natural anodised aluminium Transparent polycarbonate protector, treated to withstand UV Stainless steel bracket
Dimensions	Profile: 62x64mm Lengths: 350mm – 670mm – 990mm – 1,310mm
Net Weight	350mm : 1kg 670mm : 2kg 990mm : 2.5kg 1310mm : 4kg

End line fixing brackets



Spacing fixing brackets



LOUSS

Last update : 08/07/2021

Firalux & LOUSS brands

SARL, Capital 40 000€
RCS DIJON B 503 367 245
TVA/VAT n°: FR24 503 367 245
APE 4676Z

Tel. : +33 380 48 65 68
contact@louss.fr
www.louss.fr
Best group

Siège social / Head Office
PA Les Terres d'Or
Route de Saint Philibert
21220 Gevrey Chambertin - FRANCE



LAMPYRIS2

LED characteristics Monochrome version	350mm: 6 LED 2200K – 2700K – 3000K – 4000K – 5000K – 6500K 670mm: 12 LED 2200K – 2700K – 3000K – 4000K – 5000K – 6500K 990mm: 18 LED 2200K – 2700K – 3000K – 4000K – 5000K – 6500K 1310mm: 24 LED 2200K – 2700K – 3000K – 4000K – 5000K – 6500K (other colours upon request)
LED characteristics Twin white or RGBW versions	350mm: 12 LED Twin White or RGBW 670mm: 24 LED Twin White or RGBW 990mm: 36 LED Twin White or RGBW 1310mm: 48 LED Twin White or RGBW
Optical beam	Standard optics: 15° - 30° - 40° - 60° - Elliptical 18x36 and 12x50 High performance optics: 6° - 15° - 35°
Integrated supply power	230 Vac: all versions (except L.350mm RGBW)
Remote power supply	350mA (all versions) – 500mA (except 48 LED version)
Power consumption	350mA : 6 LED : 7W – 8 LED : 10W – 12 LED : 14W – 16 LED : 19W – 18 LED : 22W 24 LED : 29W – 48 LED : 58W 500mA : 6 LED : 11W – 8 LED : 14W – 12 LED : 22W – 16 LED : 29W – 18 LED : 32W 24 LED : 43W . 40W/m max.
Connection	Delivered with 1m hybrid cable (more length upon request) Direct 230V. Remote driver optional (mandatory for 350mm RGBW or TW versions) DMX driver. Possibility of preregistered scenarios (Twin White & RGBW).
Use limitations	The drivers, if not delivered by LOuss, must be approved before use.
Warranty	Life span: L80B10 at 50,000 hours (80% remaining flux). 3-year parts and labour warranty. The warranty does not apply to products that have been opened, modified or repaired and does not cover the effects of a wrong connection, careless, abusive handling, overvoltage, lighting injury, as well as the normal wear of the product. All products are electrically tested and received a functional burn-in.

All the connections have to be made before powering up, otherwise the luminaires could be seriously damaged.

LOuss

Last update : 08/07/2021

Firalux & LOuss brands

SARL, Capital 40 000€
 RCS DIJON B 503 367 245
 TVA/VAT n°: FR24 503 367 245
 APE 4676Z

Tel. : +33 380 48 65 68
 contact@louss.fr
www.louss.fr
 Best group

Siège social / Head Office
 PA Les Terres d'Or
 Route de Saint Philibert
 21220 Gevrey Chambertin - FRANCE