

Louss

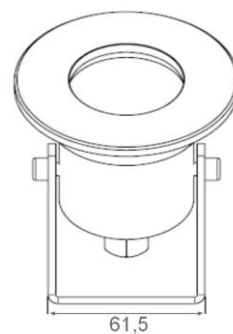
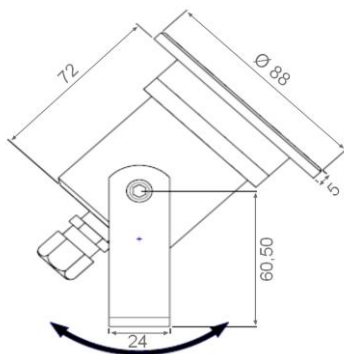
Lighting Emotion



GALAXIO 90

*Directional & Waterproof
spotlight*





GALAXIO 90

Range	Surface mounted architectural floodlighting
Description	Body in stainless steel Armoured glass protective shield Stainless steel bracket
External diameter	90mm
Net weight	0.916 kg
LED characteristics	18 LED: 2200K - 2700K - 3000K - 4000K - 5000K - 6500K 24 LED: RGBW
Optical beam	High performance optics: 7° - 15° - 35° - 60° Standard optics: 15° - 30° - 40° - 60°
Connection	Delivered with 1m cable (more length upon request) Connection in series on external constant current driver
Separate power supply	350mA
LED power	350mA: 3.6W
Use limitations	The product must be installed into a ventilated area. Any use with an ambient temperature higher than the specified ambient temperature (Ta) would lead to a more rapid mortality of the product and the withdrawal of our guarantees. The drivers, if not delivered by LOuss, must be approved before use.
Warranty	Life span: L80B10 at 50,000 hours (80% remaining flux) at 25°C ambient temperature. 3-year parts and labour warranty. The warranty does not apply to products that have been opened, modified or repaired and does not cover the effects of a wrong connection, careless, abusive handling, overvoltage, lighting injury, as well as the normal wear of the product. All products are electrically tested and received a functional burn-in.

All the connections have to be made before powering up, otherwise the luminaires could be seriously damaged.

LOuss

Last update : 04/02/2019

Firalux & LOuss brands

SARL, Capital 40 000€
RCS DIJON B 503 367 245
TVA/VAT n°: FR24 503 367 245
APE 4676Z

Tel. : +33 380 48 65 68
contact@louss.fr
www.louss.fr
Best group

Siège social / Head Office
PA Les Terres d'Or
Route de Saint Philibert
21220 Gevrey Chambertin - FRANCE