



Firalux

Lighting Emotion



ELIS D55 SURFACE
MOUNTED



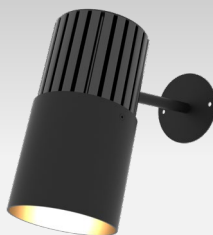
ELIS D55 CABLE TRAY



ELIS D55 SUSPENDED
CEILING



ELIS D55 SUSPENDED

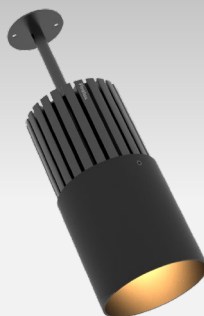


ELIS D100 SURFACE
MOUNTED

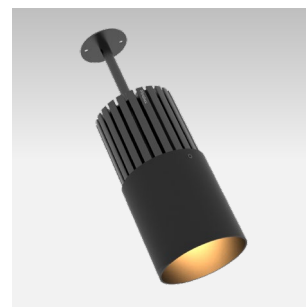
ELIS Range



ELIS D100 SUSPENDED
CEILING



ELIS D100 SUSPENDED



ELIS

Common characteristics

Range	Non-directional low-luminance luminaire for general and accent lighting
Description	Aluminum heatsink and body
LED characteristics	2700K - 3000K - 3500K - 4000K - 5000K Ellipse MacAdam: 3 SDCM (standard version) - 2 SDCM (premium version) IRC90 (standard version) - IRC95, R9 > 90 (premium version) UGR < 15
Separate power supply	External constant current driver 350mA to 1400mA depending on version Dimmable driver on request
Conditions of use	The product must be installed in a ventilated area. Any use in an ambient temperature above 25° may lead to premature death of the product and withdrawal of the warranty. Drivers, if not supplied by LOuss, must be approved before use. All products are tested before delivery.
Warranty	Service life: L80B10 at 50,000 hours (80% flux remaining) at 25°C ambient temperature. 3-year parts and labor warranty. This warranty covers problems related to manufacturing and components supplied by us. The warranty does not apply if the product has been opened, modified or repaired. Damage caused by incorrect connection, lightning, overvoltage or misuse is not covered. Repairs are carried out in our workshop.



All connections must be made before switching on the power supply.
otherwise the LEDs may be seriously damaged.
Supplying this luminaire with constant voltage may cause irreversible damage.

LOuss

Mise à jour : 20/10/2023

2/43

Firalux & LOuss brands

SARL, Capital 40 000€
RCS DIJON B 503 367 245
TVA/VAT n°: FR24 503 367 245
APE 4676Z

Tel. : +33 380 48 65 68
contact@louss.fr
www.louss.fr
Best group

Siège social / Head Office
PA Les Terres d'Or
Route de Saint Philibert
21220 Gevrey Chambertin - FRANCE



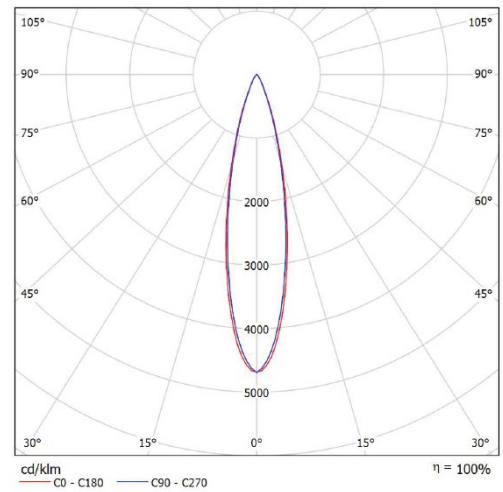
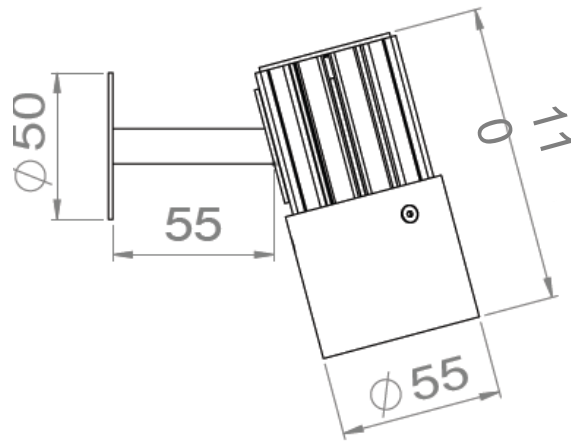
ELIS D55 SURFACE MOUNTED

Common characteristics

Range	Low luminance luminaire for general and accent lighting
Description	Black anodized aluminum heatsink RAL 9005 extra matt finish painted aluminum tube
Installation	Luminaire designed to be surface-mounted, by using the round metal plate (not suitable for recessed mounting) Must be installed vertically (not suitable for horizontal installation) The fixing method must be adapted to the nature of the support and must withstand a weight of 2.5kg, i.e. 5 times the weight of the luminaire
Limits of use	The product must be installed in a ventilated area, at a minimum distance of 4 cm from any vertical wall. Any use in an ambient temperature above 30° will result in premature product mortality and the withdrawal of the warranty Not suitable for mounting on easily flammable materials. Drivers, if not supplied by LOuss, must be approved before use. All products are tested before delivery
Waranty	Guaranteed flux: 80% of initial flux after 50,000 hours (L80B10), at 30°C ambient temperature 3-year parts and labor warranty. This warranty covers problems related to the manufacture and components of our products. The warranty does not apply if the product has been opened, modified or repaired. Damage caused by incorrect connection, lightning, overvoltage or misuse is not covered Repairs are carried out in our workshop



All connections must be made before switching on the power supply.
otherwise the LEDs may be seriously damaged.
Supplying this luminaire with constant voltage may cause irreversible damage.



ELIS D55 SURFACE MOUNTED-44°

Dimensions	Luminaire: Length 110mm - Diameter 55mm Available in straight or sloped versions Available with hollow hook for connection
Installation	Surface-mounted on vertical wall
Net weight	0.450Kg
LED characteristics	2700K Ellipse MacAdam: 3 SDCM IRC90 UGR < 15 1,400lm at 500mA
Optical beam	44°
Connection	Supplied with 1m cable
Separate power supply	External constant-current driver 500mA max, type SELV, compliant with EN 61347-2-13 standard This driver must supply a minimum constant current of 50mA to obtain a luminous flux > 45 lm It must not be able to deliver a current greater than 2A in both normal and short-circuit operation Junction block not included. Installation may require the advice of a qualified person
Consumption	18W at 500mA max
Electrical characteristics	Electrical class : III Max. current : 500mA Power : 18W at 500mA Voltage : 36V at 500mA

All connections must be made before switching on the power supply.
otherwise the LEDs may be seriously damaged.
Supplying this luminaire with constant voltage may cause irreversible damage

Louss

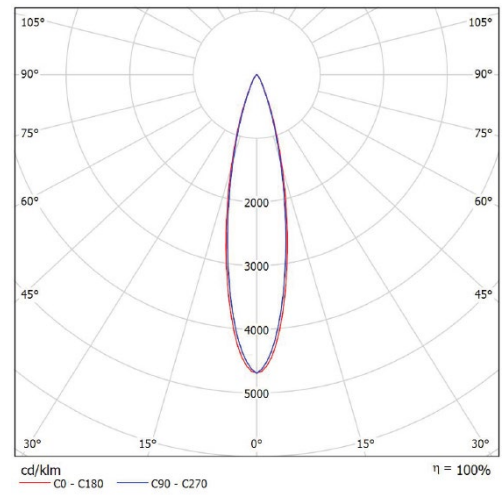
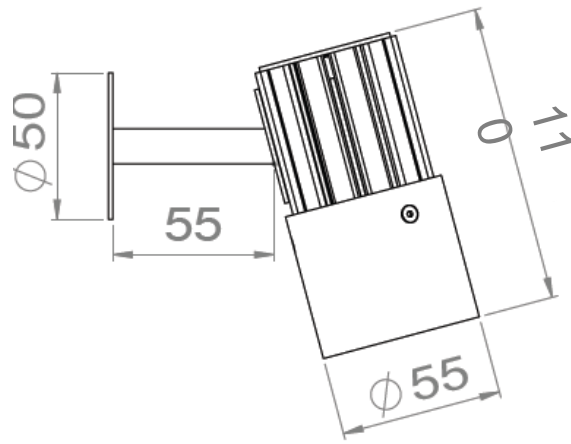
Last update : 2023/10/23

Firalux & LOuss brands

SARL, Capital 40 000€
RCS DIJON B 503 367 245
TVA/VAT n°: FR24 503 367 245
APE 4676Z

Tel. : +33 380 48 65 68
contact@louss.fr
www.louss.fr
Best group

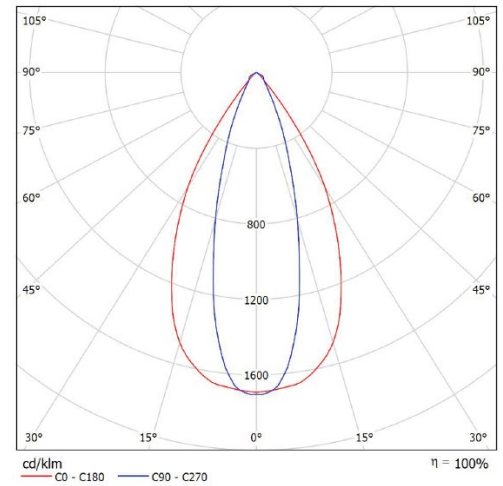
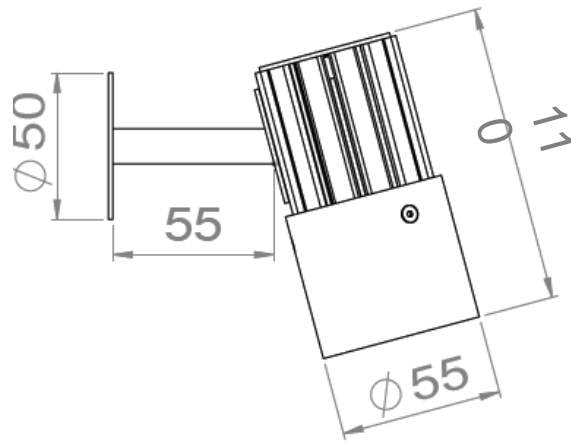
Siège social / Head Office
PA Les Terres d'Or
Route de Saint Philibert
21220 Gevrey Chambertin - FRANCE



ELIS D55 SURFACE MOUNTED-21°

Dimensions	Luminaire: Length 110mm - Diameter 55mm Available in straight or sloped versions Available with hollow hook for connection
Installation	Surface-mounted on vertical wall
Net weight	0.450Kg
LED characteristics	2700K Ellipse MacAdam: 3 SDCM IRC90 UGR < 15 1,400lm at 500mA
Optical beam	21°
Connection	Supplied with 1m cable
Separate power supply	External constant-current driver 500mA max, type SELV, compliant with EN 61347-2-13 standard This driver must supply a minimum constant current of 50mA to obtain a luminous flux > 45 lm It must not be able to deliver a current greater than 2A in both normal and short-circuit operation Junction block not included. Installation may require the advice of a qualified person
Consumption	18W at 500mA max
Electrical characteristics	Electrical class : III Max. current : 500mA Power : 18W at 500mA Voltage : 36V at 500mA

All connections must be made before switching on the power supply.
otherwise the LEDs may be seriously damaged.
Supplying this luminaire with constant voltage may cause irreversible damage



ELIS D55 SURFACE MOUNTED-ELLIPTICAL

Dimensions	Luminaire: Length 110mm - Diameter 55mm Available in straight or sloped versions Available with hollow hook for connection
Installation	Surface-mounted on vertical wall
Net weight	0.450Kg
LED characteristics	2700K Ellipse MacAdam: 3 SDCM IRC90 UGR < 15 1,400lm at 500mA
Optical beam	Elliptic 30°x57°
Connection	Supplied with 1m cable
Separate power supply	External constant-current driver 500mA max, type SELV, compliant with EN 61347-2-13 standard This driver must supply a minimum constant current of 50mA to obtain a luminous flux > 45 lm It must not be able to deliver a current greater than 2A in both normal and short-circuit operation Junction block not included. Installation may require the advice of a qualified person
Consumption	18W at 500mA max
Electrical characteristics	Electrical class : III Max. current : 500mA Power : 18W at 500mA Voltage : 36V at 500mA

All connections must be made before switching on the power supply,
otherwise the LEDs may be seriously damaged.
Supplying this luminaire with constant voltage may cause irreversible damage

Louss

Last update : 2023/10/23

Firalux & LOuss brands

SARL, Capital 40 000€
RCS DIJON B 503 367 245
TVA/VAT n°: FR24 503 367 245
APE 4676Z

Tel. : +33 380 48 65 68
contact@louss.fr
www.louss.fr
Best group

Siège social / Head Office
PA Les Terres d'Or
Route de Saint Philibert
21220 Gevrey Chambertin - FRANCE

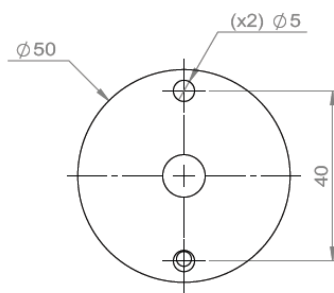


ELIS D55 SURFACE MOUNTED

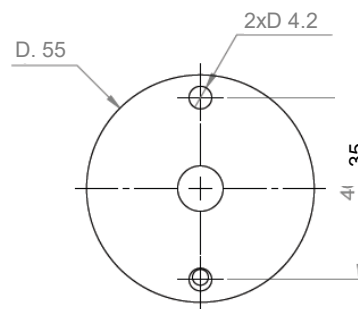
Installation guide

- 1 Make sure that the installation's surface can endure the weight of the luminaire (max. 0.5kg depending on version)

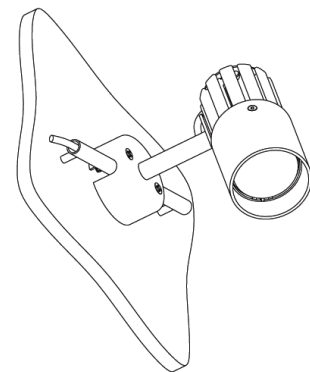
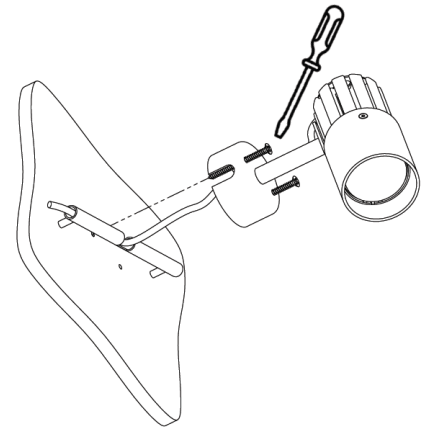
- 2 Drill 2 holes in the surface according to the indications below
Please note that the holes vary depending on the kind of hook (flat or hollow)



Metal plate hook



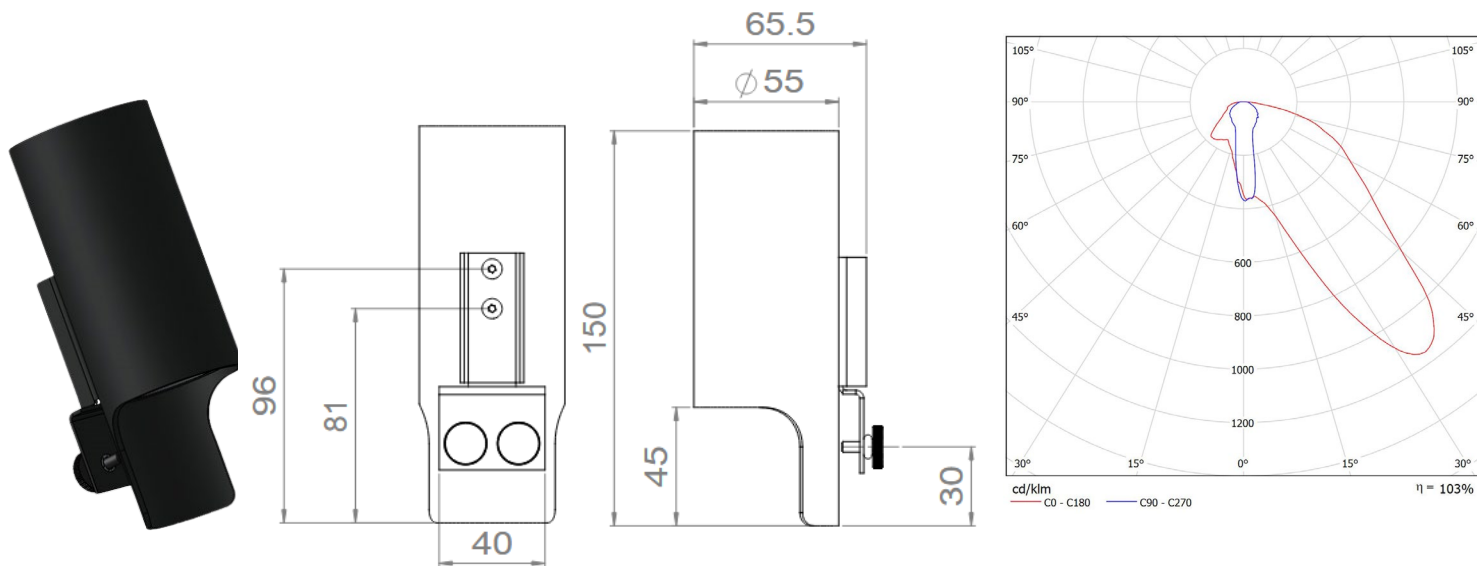
Hollow hook



- 3 Connect the luminaire to the driver

- 4 Screw in the 2 screws

All connections must be made before switching on the power supply.
otherwise the LEDs may be seriously damaged.
Supplying this luminaire with constant voltage may cause irreversible damage



ELIS D55 CABLE TRAY

Range	Low luminance luminaire for general and accent lighting
Description	Space-saving, flush-mounted luminaire with asymmetric wall washer distribution Non-directional lateral mounting RAL 9005 extra matt finish painted aluminum tube
Net weight	0.30 kg
Installation	Side-mounted on cable tray
LED characteristics	2700K - 3000K - 4000K Ellipse MacAdam: 3 SDCM IRC90 (standard version)
Optical beam	45mm diameter asymmetrical wall washer optics
Connection	Supplied with 0.50m of cable at luminaire outlet (others on request)
Separate power supply	ON/OFF or dimmable remote driver
Conditions of use	The product must be installed in a ventilated area. Any use in an ambient temperature above 25° may lead to premature death of the product and withdrawal of the warranty Drivers, if not supplied by LOuss, must be approved before use. All products are tested before delivery
Waranty	Service life: L80B10 at 50,000 hours (80% flux remaining) at 30°C ambient temperature 3-year parts and labor warranty. This warranty covers problems related to manufacturing and components supplied by us. The warranty does not apply if the product has been opened, modified or repaired. Damage caused by incorrect connection, lightning, overvoltage or misuse is not covered. Repairs are carried out in our workshop
Luminaire electrical characteristics	Electrical class : III Max. current : 700mA Power : 8W at 700mA Tenson : 12V at 700mA



All connections must be made before switching on the power supply.
to avoid serious damage to the LED

LOuss

Last update : 2023/10/23

8/43

Firalux & LOuss brands

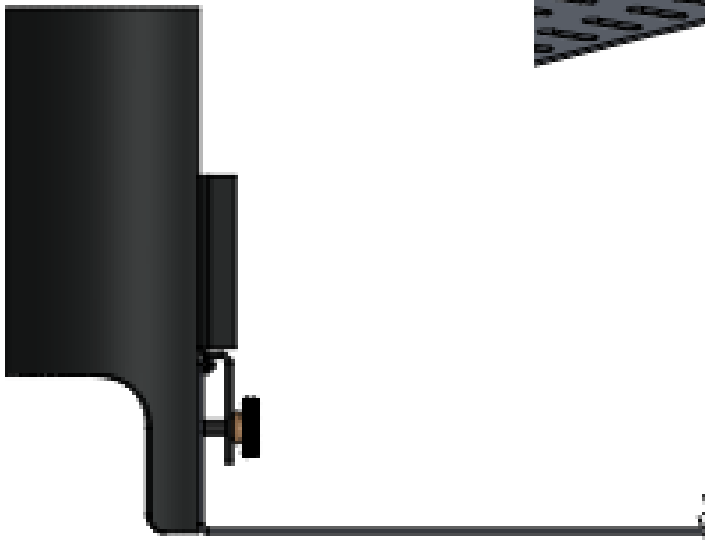
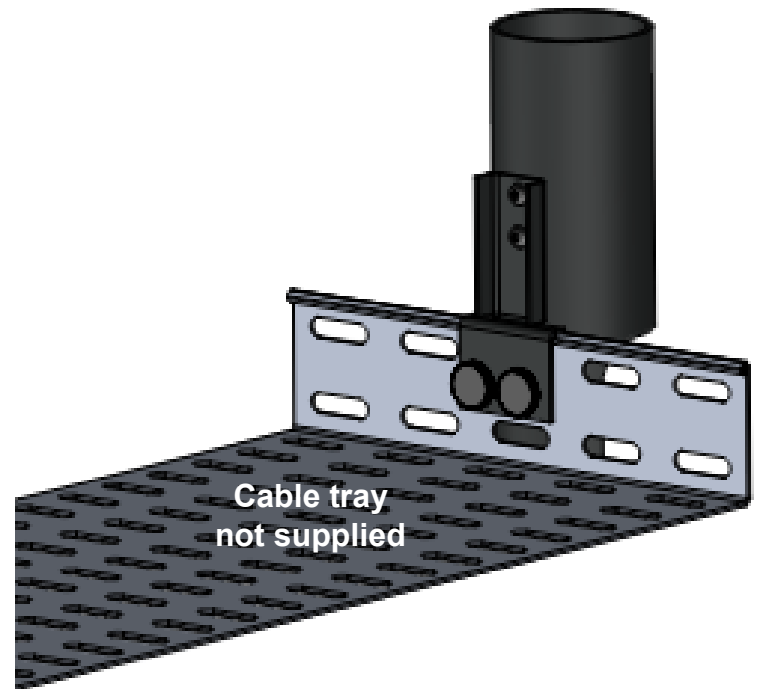
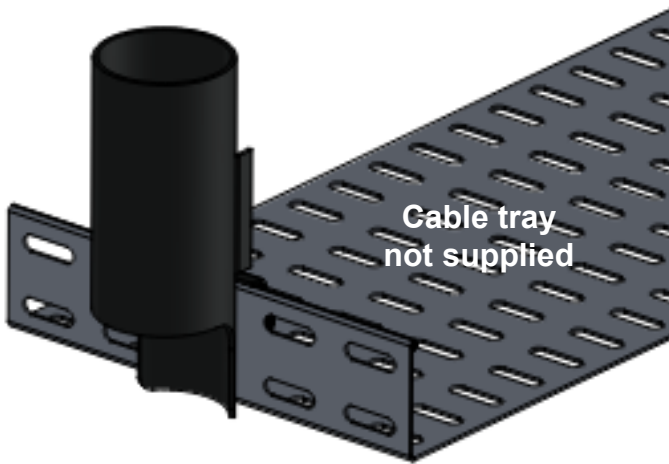
SARL, Capital 40 000€
RCS DIJON B 503 367 245
TVA/VAT n°: FR24 503 367 245
APE 4676Z

Tel. : +33 380 48 65 68
contact@louss.fr
www.louss.fr
Best group

Siège social / Head Office
PA Les Terres d'Or
Route de Saint Philibert
21220 Gevrey Chambertin - FRANCE

ELIS D55 CABLE TRAY

Installation guide



All connections must be made before switching on the power supply.
to avoid serious damage to the LED

Last update : 2023/10/23

9/43

Firalux & LOuss brands

LOuss

SARL, Capital 40 000€
RCS DIJON B 503 367 245
TVA/VAT n°: FR24 503 367 245
APE 4676Z

Tel. : +33 380 48 65 68
contact@louss.fr
www.louss.fr
Best group

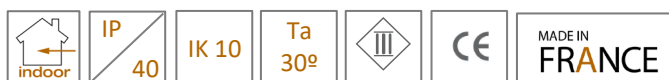
Siège social / Head Office
PA Les Terres d'Or
Route de Saint Philibert
21220 Gevrey Chambertin - FRANCE



ELIS D55 SUSPENDED CEILING

Common characteristics

Range	Low luminance luminaire for general and accent lighting
Description	Black anodized aluminum heatsink RAL 9005 extra matt finish painted aluminum tube
Installation	Luminaire designed to be surface-mounted, by inserting the springs into the surface (not suitable for flush-mounting) Must be installed vertically (not suitable for horizontal installation) The fixing method must be adapted to the nature of the support and must withstand a weight of 2.5kg, i.e. 5 times the weight of the luminaire
Limits of use	The product must be installed in a ventilated area, at a minimum distance of 4 cm from any vertical wall. Any use in an ambient temperature above 30° will result in premature product mortality and the withdrawal of the warranty Not suitable for mounting on easily flammable materials Drivers, if not supplied by LOuss, must be approved before use. All products are tested before delivery
Warranty	Guaranteed flux: 80% of initial flux after 50,000 hours (L80B10), at 30°C ambient temperature 3-year parts and labor warranty. This warranty covers problems related to the manufacture and components of our products. The warranty does not apply if the product has been opened, modified or repaired. Damage caused by incorrect connection, lightning, overvoltage or misuse is not covered. Repairs are carried out in our workshop



**Tous les raccordements doivent impérativement être effectués avant la mise sous tension sous peine d'endommager sérieusement les LED.
Alimenter ce luminaire en tension constante peut l'endommager de manière irréversible**

LOuss

Mise à jour : 29.09.2023

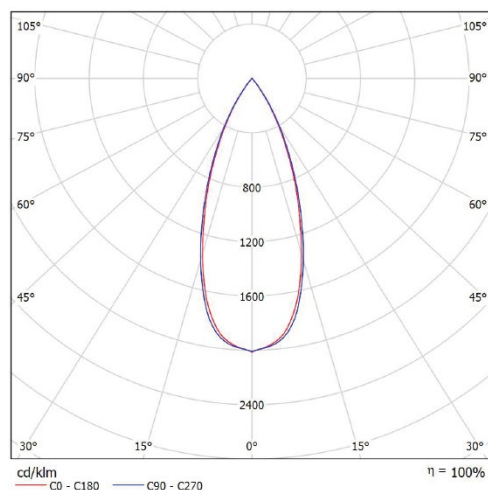
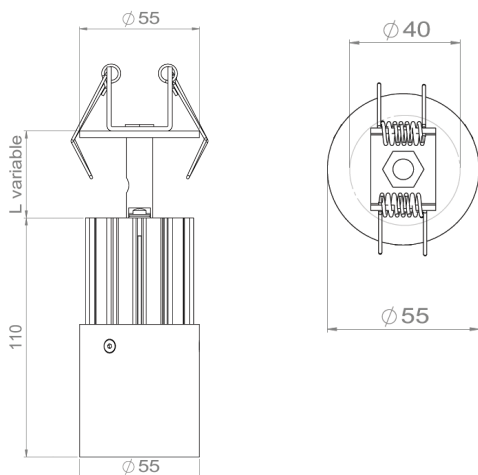
10/43

Firalux & LOuss brands

SARL, Capital 40 000€
RCS DIJON B 503 367 245
TVA/VAT n°: FR24 503 367 245
APE 4676Z

Tel. : +33 380 48 65 68
contact@louss.fr
www.louss.fr
Best group

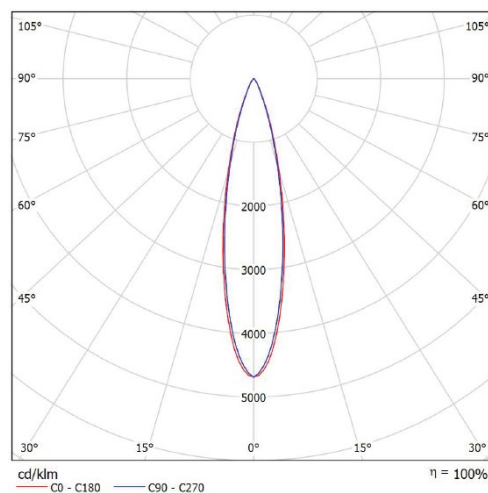
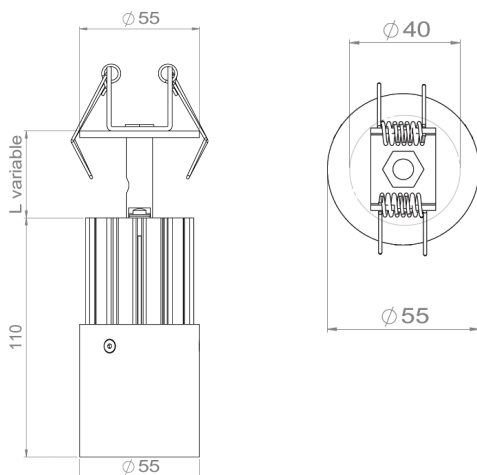
Siège social / Head Office
PA Les Terres d'Or
Route de Saint Philibert
21220 Gevrey Chambertin - FRANCE



ELIS D55 SUSPENDED CEILING-44°

Dimensions	<p>Luminaire : Length 110mm - Diameter 55mm</p> <p>Rod : Length on request between 40mm and 300mm</p> <p>Total height : 150mm to 410mm</p>
Installation	<p>Surface-mounted under suspended ceiling</p> <p>Recessed diameter 40mm</p> <p>2 holes D.3mm in the springs' support to fix a safety sling if necessary</p>
Net weight	0.450Kg (40mm stem) to 0.55Kg (300mm stem)
LED characteristics	<p>2700K</p> <p>Ellipse MacAdam: 3 SDCM</p> <p>IRC90</p> <p>UGR < 15</p> <p>1,400lm at 500mA</p>
Optical beam	44°
Connection	Supplied with 1m cable
Separate power supply	<p>External constant-current driver 500mA max, type SELV, compliant with EN 61347-2-13 standard.</p> <p>This driver must supply a minimum constant current of 50mA to obtain a luminous flux > 45 lm</p> <p>It must not be able to deliver a current greater than 2A in both normal and short-circuit operation</p> <p>Junction block not included. Installation may require the advice of a qualified person</p>
Consumption	18W at 500mA max
Electrical characteristics	<p>Electrical class : III</p> <p>Max. current : 500mA</p> <p>Power : 18W at 500mA</p> <p>Voltage : 36V at 500mA</p>

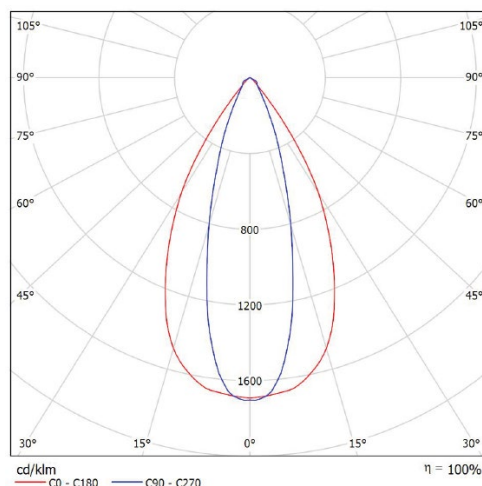
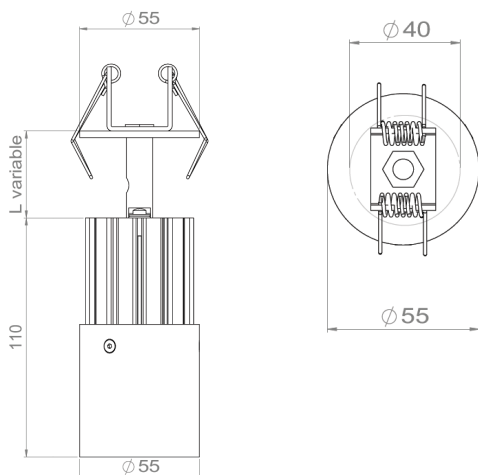
All connections must be made before switching on the power supply.
 otherwise the LEDs may be seriously damaged.
 Supplying this luminaire with constant voltage may cause irreversible damage.



ELIS D55 SUSPENDED CEILING-21°

Dimensions	<p>Luminaire : Length 110mm - Diameter 55mm</p> <p>Rod : Length on request between 40mm and 300mm</p> <p>Total height : 150mm to 410mm</p>
Installation	<p>Surface-mounted under suspended ceiling</p> <p>Recessed diameter 40mm</p> <p>2 holes D.3mm in the springs' support to fix a safety sling if necessary</p>
Net weight	0.450Kg (40mm stem) to 0.55Kg (300mm stem)
LED characteristics	<p>2700K</p> <p>Ellipse MacAdam: 3 SDCM</p> <p>IRC90</p> <p>UGR < 15</p> <p>1,400lm at 500mA</p>
Optical beam	21°
Connection	Supplied with 1m cable
Separate power supply	<p>External constant-current driver 500mA max, type SELV, compliant with EN 61347-2-13 standard.</p> <p>This driver must supply a minimum constant current of 50mA to obtain a luminous flux > 45 lm</p> <p>It must not be able to deliver a current greater than 2A in both normal and short-circuit operation.</p> <p>Junction block not included. Installation may require the advice of a qualified person</p>
Consumption	18W at 500mA max
Luminaire electrical characteristics	<p>Electrical class : III</p> <p>Max. current : 500mA</p> <p>Power : 18W at 500mA</p> <p>Voltage : 36V at 500mA</p>

All connections must be made before switching on the power supply.
otherwise the LEDs may be seriously damaged.
Supplying this luminaire with constant voltage may cause irreversible damage



ELIS D55 SUSPENDED CEILING-ELLIPTICAL

Dimensions	<p>Luminaire : Length 110mm - Diameter 55mm</p> <p>Rod : Length on request between 40mm and 300mm</p> <p>Total height : 150mm to 410mm</p>
Installation	<p>Surface-mounted under suspended ceiling</p> <p>Recessed diameter 40mm</p> <p>2 holes D.3mm in the springs' supports to fix a safety sling if necessary</p>
Net weight	0.450Kg (40mm stem) to 0.55Kg (300mm stem)
LED characteristics	<p>2700K</p> <p>Ellipse MacAdam: 3 SDCM</p> <p>IRC90</p> <p>UGR < 15</p> <p>1,400lm at 500mA</p>
Optical beam	Elliptic 30°x57°
Connection	Supplied with 1m cable
Separate power supply	<p>External constant-current driver 500mA max, type SELV, compliant with EN 61347-2-13 standard</p> <p>This driver must supply a minimum constant current of 50mA to obtain a luminous flux > 45 lm</p> <p>It must not be able to deliver a current greater than 2A in both normal and short-circuit operation</p> <p>Junction block not included. Installation may require the advice of a qualified person</p>
Consumption	18W at 500mA max
Electrical characteristics	<p>Electrical class : III</p> <p>Max. current : 500mA</p> <p>Power : 17W at 500mA</p> <p>Voltage : 34V at 500mA</p>

All connections must be made before switching on the power supply.
otherwise the LEDs may be seriously damaged.
Supplying this luminaire with constant voltage may cause irreversible damage



ELIS D55 SUSPENDED CEILING

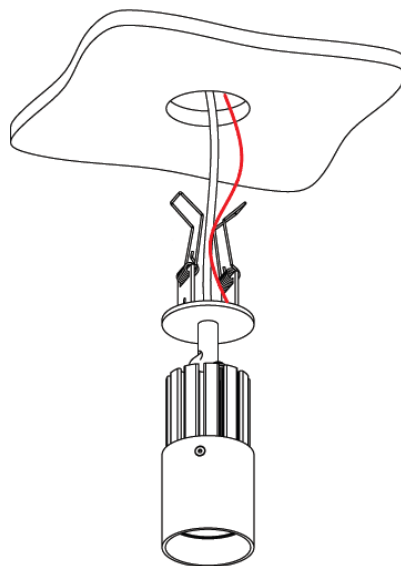
Installation guide

1

Before installing the luminaire make sure that the ceiling can support the weight of the luminaire (max 0.6kg depending on version

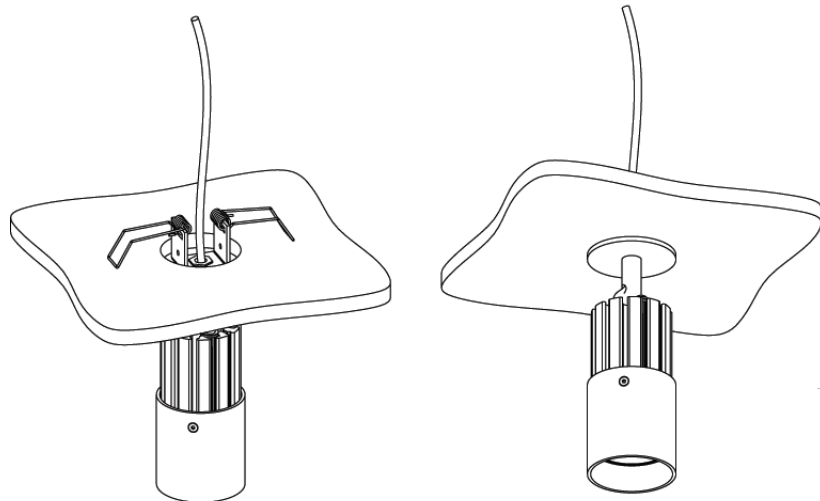
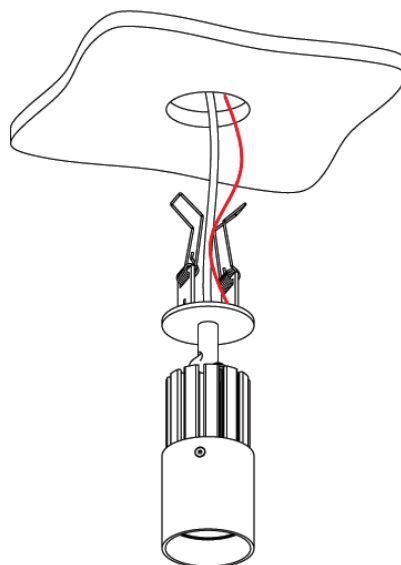
Attach safety sling if necessary

Connect the luminaire to the driver



2

Tighten the springs and insert the luminaire into the hole Release the springs and guide the luminaire into its position





ELIS SUSPENDED

Common characteristics

Range	Low luminance luminaire for general and accent lighting
Description	Black anodized aluminum heatsink RAL 9005 extra matt finish painted aluminum tube
Installation	Luminaire designed to be surface-mounted using the hook (not suitable for flush-mounting) Must be installed vertically (not suitable for horizontal installation) Luminaire's fixing method must be adapted to the nature of the support and must withstand a weight of 2.5kg, i.e. 5 times the weight of the luminaire
Limits of use	The product must be installed in a ventilated area, at a minimum distance of 4 cm from any vertical wall. Any use in an ambient temperature above 30° will result in premature product mortality and the withdrawal of the warranty Not suitable for mounting on easily flammable materials Drivers, if not supplied by LOuss, must be approved before use. All products are tested before delivery
Waranty	Guaranteed flux: 80% of initial flux after 50,000 hours (L80B10), at 30°C ambient temperature 3-year parts and labor warranty. This warranty covers problems related to the manufacture and components of our products. The warranty does not apply if the product has been opened, modified or repaired. Damage caused by incorrect connection, lightning, overvoltage or misuse is not covered. Repairs are carried out in our workshop



All connections must be made before switching on the power supply.
otherwise the LEDs may be seriously damaged.
Supplying this luminaire with constant voltage may cause irreversible damage.

LOuss

Last update :2023/10/23

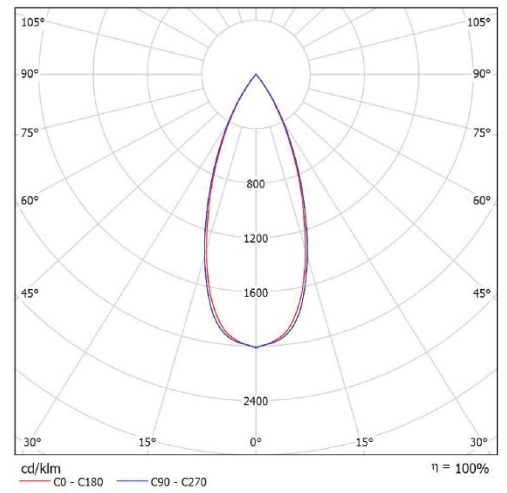
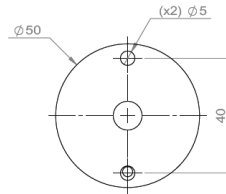
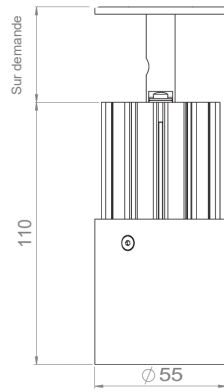
15/43

Firalux & LOuss brands

SARL, Capital 40 000€
RCS DIJON B 503 367 245
TVA/VAT n°: FR24 503 367 245
APE 4676Z

Tel. : +33 380 48 65 68
contact@louss.fr
www.louss.fr
Best group

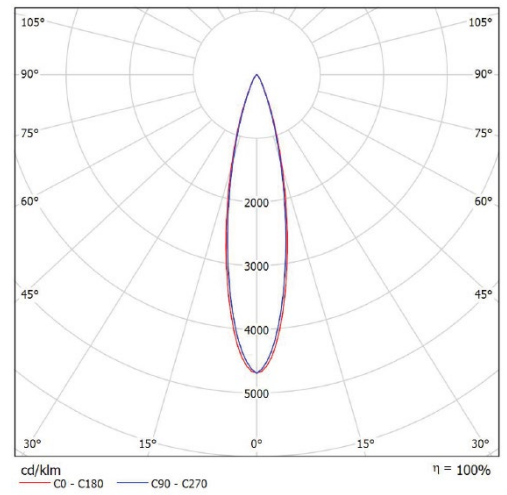
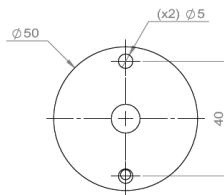
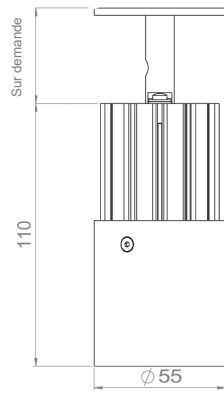
Siège social / Head Office
PA Les Terres d'Or
Route de Saint Philibert
21220 Gevrey Chambertin - FRANCE



ELIS D55 SUSPENDU-44°

Dimensions	<p>Luminaire : Length 110mm - Diameter 55mm</p> <p>Rod : Length on request between 40mm and 500mm</p> <p>Total height : 150mm to 610mm</p>
Installation	Surface-mounted under horizontal surface
Net weight	0.45Kg (40mm stem) to 0.6Kg (500mm stem)
LED characteristics	<p>2700K</p> <p>Ellipse MacAdam: 3 SDCM</p> <p>CRI 90</p> <p>UGR < 15</p> <p>1,400lm at 500mA</p>
Optical beam	44°
Connection	Supplied with 1m cable
Separate power supply	<p>External constant-current driver 500mA max, type SELV, compliant with EN 61347-2-13 standard</p> <p>This driver must supply a minimum constant current of 50mA to obtain a luminous flux > 45 lm</p> <p>It must not be able to deliver a current greater than 2A in both normal and short-circuit operation</p> <p>Junction block not included. Installation may require the advice of a qualified person.</p>
Consumption	18W at 500mA max
Electrical characteristics	<p>Electrical class : III</p> <p>Max. current : 500mA</p> <p>Power : 18W at 500mA</p> <p>Voltage : 36V at 500mA</p>

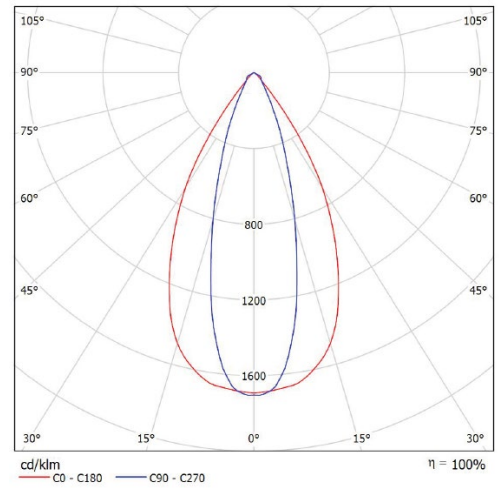
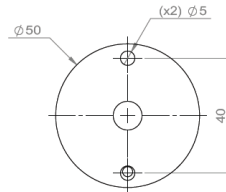
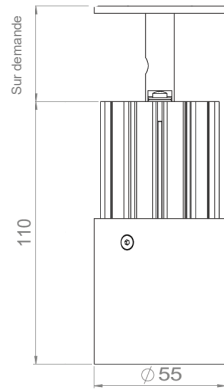
All connections must be made before switching on the power supply.
otherwise the LEDs may be seriously damaged.
Supplying this luminaire with constant voltage may cause irreversible damage.



ELIS D55 SUSPENDED-21°

Dimensions	<p>Luminaire : Length 110mm - Diameter 55mm</p> <p>Rod : Length on request between 40mm and 500mm</p> <p>Total height : 150mm to 610mm</p>
Installation	Surface-mounted under horizontal surface
Net weight	0.45Kg (40mm stem) to 0.6Kg (500mm stem)
LED characteristics	<p>2700K</p> <p>Ellipse MacAdam: 3 SDCM</p> <p>CRI 90</p> <p>UGR < 15</p> <p>1,400lm at 500mA</p>
Optical beam	21°
Connection	Supplied with 1m cable
Separate power supply	<p>External constant-current driver 500mA max, type SELV, compliant with EN 61347-2-13 standard</p> <p>This driver must supply a minimum constant current of 50mA to obtain a luminous flux > 45 lm</p> <p>It must not be able to deliver a current greater than 2A in both normal and short-circuit operation</p> <p>Junction block not included. Installation may require the advice of a qualified person</p>
Consumption	18W at 500mA max
Electrical characteristics	<p>Electrical class : III</p> <p>Max. current : 500mA</p> <p>Power : 18W at 500mA</p> <p>Voltage : 36V at 500mA</p>

All connections must be made before switching on the power supply.
otherwise the LEDs may be seriously damaged.
Supplying this luminaire with constant voltage may cause irreversible damage.



ELIS D55 SUSPENDED-ELLIPTICAL

Dimensions	<p>Luminaire : Length 110mm - Diameter 55mm</p> <p>Rod : Length on request between 40mm and 500mm</p> <p>Total height : 150mm to 610mm</p>
Installation	Surface-mounted under horizontal support
Net weight	0.45Kg (40mm stem) to 0.6Kg (500mm stem)
LED characteristics	<p>2700K</p> <p>Ellipse MacAdam: 3 SDCM</p> <p>CRI 90</p> <p>UGR < 15</p> <p>1,400lm at 500mA</p>
Optical beam	Elliptic 30°x57°
Connection	Supplied with 1m cable
Separate power supply	<p>External constant-current driver 500mA max, type SELV, compliant with EN 61347-2-13 standard</p> <p>This driver must supply a minimum constant current of 50mA to obtain a luminous flux > 45 lm</p> <p>It must not be able to deliver a current greater than 2A in both normal and short-circuit operation</p> <p>Junction block not included. Installation may require the advice of a qualified person</p>
Consumption	18W at 500mA max
Electrical characteristics	<p>Electrical class : III</p> <p>Max. current : 500mA</p> <p>Power : 17W at 500mA</p> <p>Voltage : 34V at 500mA</p>

All connections must be made before switching on the power supply.
otherwise the LEDs may be seriously damaged.
Supplying this luminaire with constant voltage may cause irreversible damage.

LOUSS

Last update : 2023/10/23

Firalux & LOUSS brands

SARL, Capital 40 000€
RCS DIJON B 503 367 245
TVA/VAT n°: FR24 503 367 245
APE 4676Z

Tel. : +33 380 48 65 68
contact@louss.fr
www.louss.fr
Best group

Siège social / Head Office
PA Les Terres d'Or
Route de Saint Philibert
21220 Gevrey Chambertin - FRANCE

18/43

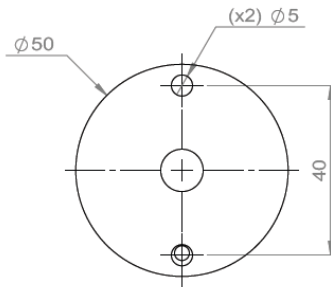
ELIS D55 SUSPENDED

Installation guide



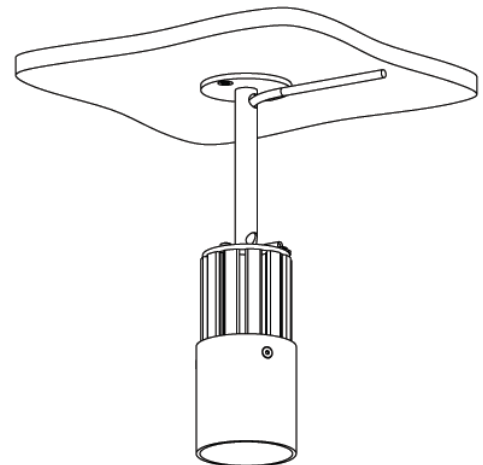
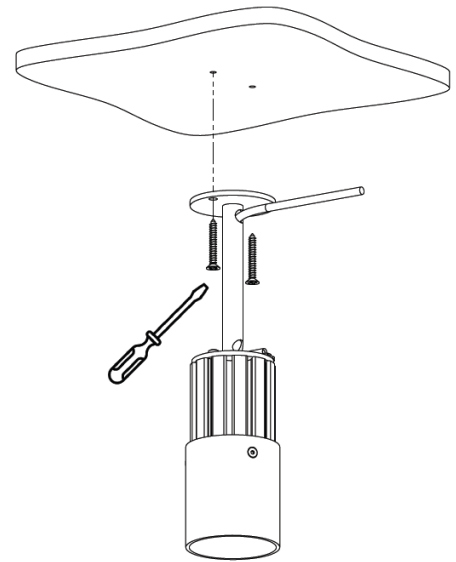
1 Make sure that the surface can support the weight of the luminaire (0.6kg max. depending on version)

2 Drill 2 holes in the round metal plate according as shown below

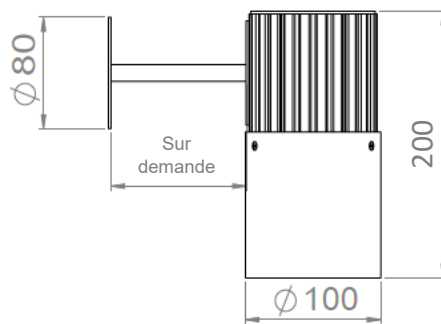


3 Screw in the 2 screws

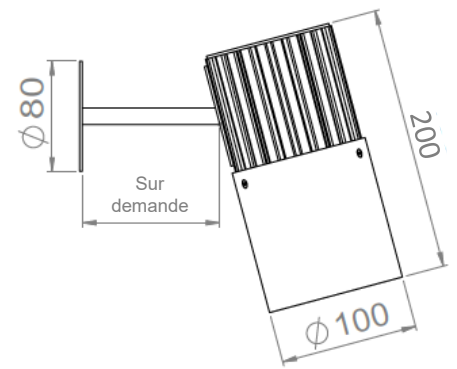
4 Connect the luminaire to the driver



All connections must be made before switching on the power supply.
otherwise the LEDs may be seriously damaged.
Supplying this luminaire with constant voltage may cause irreversible damage.



Straight

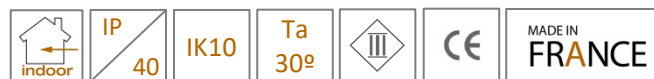


Sloped

ELIS D100 SURFACE MOUNTED

Common characteristics

Range	Low luminance luminaire for general and accent lighting
Description	Black anodized aluminum heatsink RAL 9005 extra matt finish painted aluminum tube
Installation	Luminaire to be surface-mounted using the hook (not suitable for flush-mounting) Luminaire fixing method must be adapted to the nature of the surface and must withstand a weight of 10kg, i.e. 5 times the weight of the luminaire
Limits of use	The product must be installed in a ventilated area, at a minimum distance of 4cm from any vertical wall. Use in ambient temperatures above 30° will result in premature product death and the withdrawal of the warranty Not suitable for mounting on easily flammable materials Drivers, if not supplied by LOuss, must be approved before use All products are tested before delivery
Waranty	Guaranteed flux: 80% of initial flux after 50,000 hours (L80B10), at 30°C ambient temperature 3-year parts and labor warranty. This warranty covers problems related to the manufacture and components of our products. The warranty does not apply if the product has been opened, modified or repaired. Damage caused by incorrect connection, lightning, overvoltage or misuse is not covered Repairs are carried out in our workshop



All connections must be made before switching on the power supply
otherwise the LEDs may be seriously damaged
Supplying this luminaire with constant voltage may cause irreversible damage

LOuss

Last update : 2023/10/23

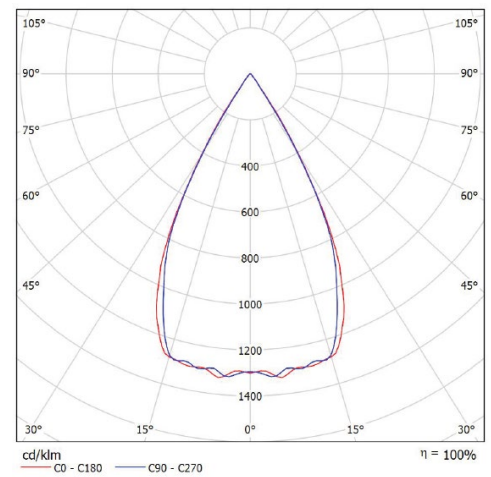
20/43

Firalux & LOuss brands

SARL, Capital 40 000€
RCS DIJON B 503 367 245
TVA/VAT n°: FR24 503 367 245
APE 4676Z

Tel. : +33 380 48 65 68
contact@louss.fr
www.louss.fr
Best group

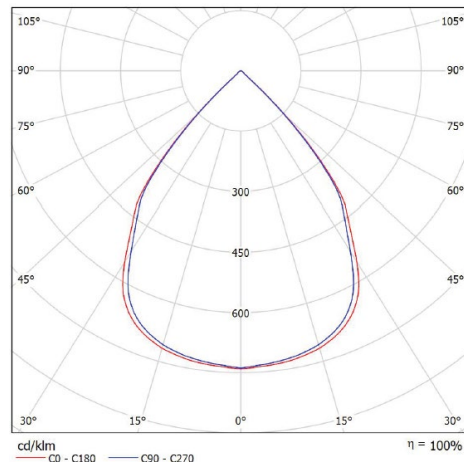
Siège social / Head Office
PA Les Terres d'Or
Route de Saint Philibert
21220 Gevrey Chambertin - FRANCE



ELIS D100 SURFACE MOUNTED-44

Dimensions	Luminaire : Length 200mm - Diameter 100mm Rod : Length on request between 40mm and 1000mm Total height : 240mm to 1200mm
Installation	Under vertical surface with 2 screws diameter 4.5mm
Net weight	1.55kg (40mm stem) to 1.95kg (1000mm stem)
LED characteristics	2700K Ellipse MacAdam: 3 SDCM IRC90 UGR < 15 3600 lm luminaire output at 1350mA
Optical beam	53°
Connection	Supplied with 1m cable
Separate power supply	External constant-current driver, max. 1350mA, SELV type, compliant with EN 61347-2-13 standard This driver must supply a minimum constant current of 100mA to obtain a minimum luminous flux of 45 lm It must not be able to deliver a current greater than 2A in both normal and short-circuit operation. Junction block not included. Installation requires the advice of a qualified person.
Electricals characteristics	Electrical class : III Max. current : 1350mA Power : 46W at 1350mA Voltage : 34V at 1350mA

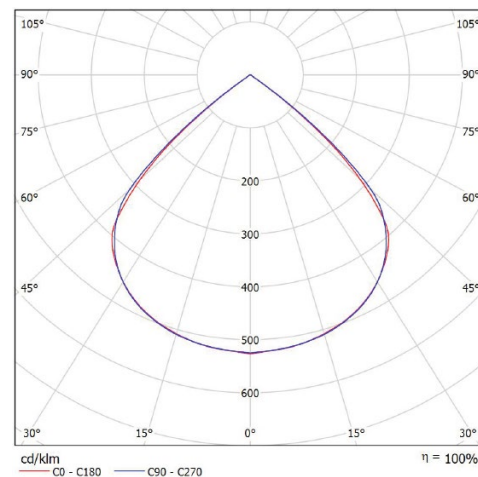
**All connections must be made before switching on the power supply
 otherwise the LEDs may be seriously damaged
 Supplying this luminaire with constant voltage may cause irreversible damage**



ELIS D100 SURFACE MOUNTED-58

Dimensions	Luminaire : Length 200mm - Diameter 100mm Rod : Length on request between 40mm and 1000mm Total height : 240mm to 1200mm
Installation	Under vertical surface with 2 screws diameter 4.5mm
Net weight	1.55kg (40mm stem) to 1.95kg (1000mm stem)
LED characteristics	2700K Ellipse MacAdam: 3 SDCM IRC90 UGR < 15 3600 lm luminaire output at 1350mA
Optical beam	73°
Connection	Supplied with 1m cable
Separate power supply	External constant-current driver, max. 1350mA, SELV type, compliant with EN 61347-2-13 standard This driver must supply a minimum constant current of 100mA to obtain a minimum luminous flux of 45 lm (for use in emergency lighting) It must not be able to deliver a current greater than 2A in both normal and short-circuit operation. Terminal block not included. Installation requires the advice of a qualified person
Electricals characteristics	Electrical class : III Max. current : 1350mA Power : 46W at 1350mA Voltage : 34V at 1350mA

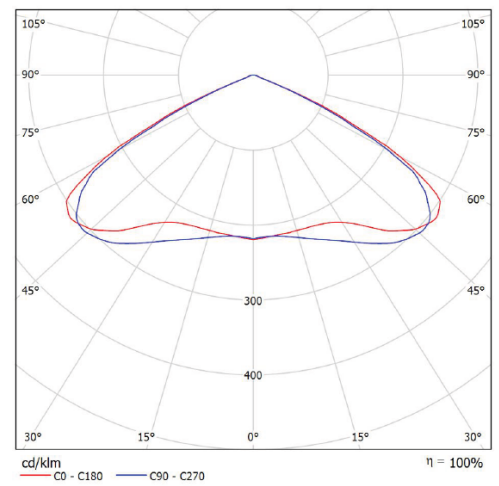
**All connections must be made before switching on the power supply
 otherwise the LEDs may be seriously damaged
 Supplying this luminaire with constant voltage may cause irreversible damage**



ELIS D100 SURFACE MOUNTED-93

Dimensions	Luminaire : Length 200mm - Diameter 100mm Rod : Length on request between 40mm and 1000mm Total height : 240mm to 1200mm
Installation	Under vertical surface with 2 screws diameter 4.5mm
Net weight	1.55kg (40mm stem) to 1.95kg (1000mm stem)
LED characteristics	2700K Ellipse MacAdam: 3 SDCM IRC90 UGR < 15 3600 lm luminaire output at 1350mA
Optical beam	91°
Connection	Supplied with 1m cable
Separate power supply	External constant-current driver, max. 1350mA, SELV type, compliant with EN 61347-2-13 standard This driver must supply a minimum constant current of 100mA to obtain a minimum luminous flux of 45 lm It must not be able to deliver a current greater than 2A in both normal and short-circuit operation Junction block not included. Installation requires the advice of a qualified person
Electricals characteristics	Electrical class : III Max. current : 1350mA Power : 46W at 1350mA Voltage : 34V at 1350mA

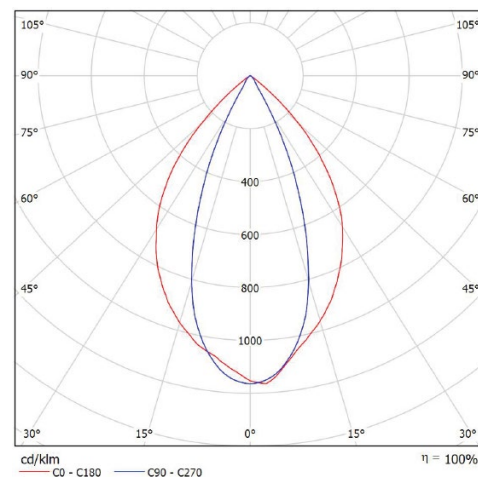
All connections must be made before switching on the power supply
otherwise the LEDs may be seriously damaged
Supplying this luminaire with constant voltage may cause irreversible damage



ELIS D100 SURFACE MOUNTED-150

Dimensions	Luminaire : Length 200mm - Diameter 100mm Rod : Length on request between 40mm and 1000mm Total height : 240mm to 1200mm
Installation	Under vertical supports with 2 screws diameter 4.5mm
Net weight	1.55kg (40mm stem) to 1.95kg (1000mm stem)
LED characteristics	2700K Ellipse MacAdam: 3 SDCM IRC90 UGR < 15 3600 lm luminaire output at 1350mA
Optical beam	120°
Connection	Supplied with 1m cable
Separate power supply	External constant-current driver, max. 1350mA, SELV type, compliant with EN 61347-2-13 standard. This driver must supply a minimum constant current of 100mA to obtain a minimum luminous flux of 45 lm It must not be able to deliver a current greater than 2A in both normal and short-circuit operation Terminal block not included. Installation requires the advice of a qualified person.
Electricals characteristics	Electrical class : III Max. current : 1350mA Power : 46W at 1350mA Voltage : 34V at 1350mA

**All connections must be made before switching on the power supply
 otherwise the LEDs may be seriously damaged
 Supplying this luminaire with constant voltage may cause irreversible damage**



ELIS D100 SURFACE MOUNTED-ELLIPTICAL

Dimensions	Luminaire : Length 200mm - Diameter 100mm Rod : Length on request between 40mm and 1000mm Total height : 240mm to 1200mm
Installation	Under vertical supports with 2 screws diameter 4.5mm
Net weight	1.55kg (40mm stem) to 1.95kg (1000mm stem)
LED characteristics	2700K Ellipse MacAdam: 3 SDCM IRC90 UGR < 15 3400 lm luminaire output at 1350mA
Optical beam	40°x70°
Connection	Supplied with 1m cable
Separate power supply	External constant-current driver, max. 1350mA, SELV type, compliant with EN 61347-2-13 standard This driver must supply a minimum constant current of 100mA to obtain a minimum luminous flux of 45 lm It must not be able to deliver a current greater than 2A in both normal and short-circuit operation Terminal block not included. Installation requires the advice of a qualified person
Electricals characteristics	Electrical class : III Max. current : 1350mA Power : 46W at 1350mA Voltage : 34V at 1350mA

**All connections must be made before switching on the power supply
 otherwise the LEDs may be seriously damaged
 Supplying this luminaire with constant voltage may cause irreversible damage**

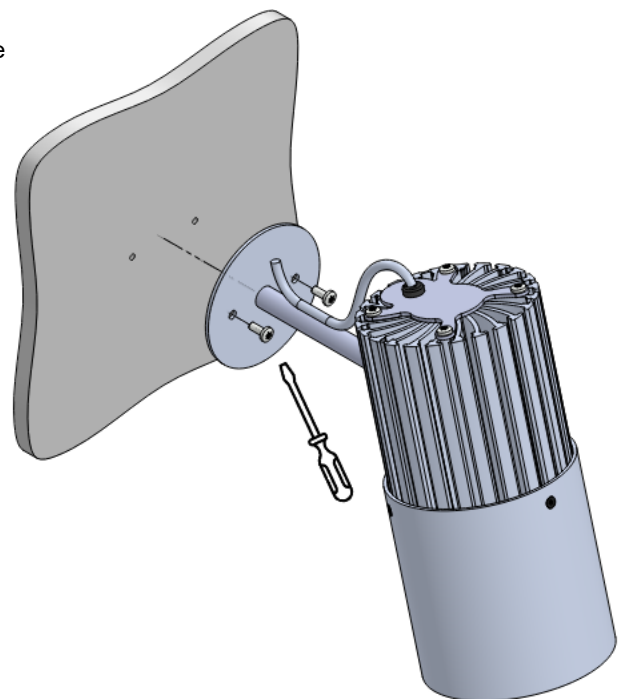
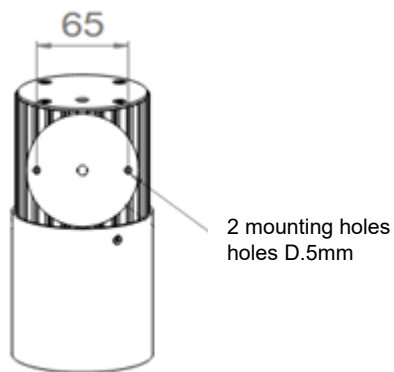
ELIS D100 SURFACE MOUNTED

Installation guide



1 Make sure that the installation's surface can endure the weight of the luminaire (max. 2 kg depending on version).

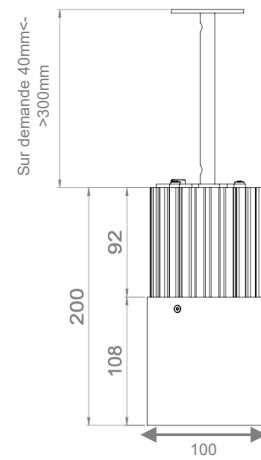
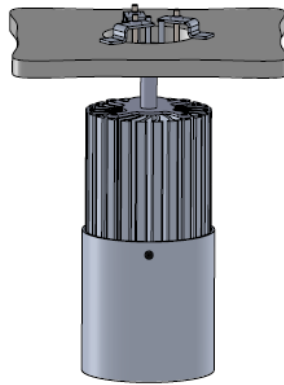
2 Drill 2 holes in the round metal plate according to the indications below



3 Screw in the 2 screws

4 Connect the luminaire to the driver

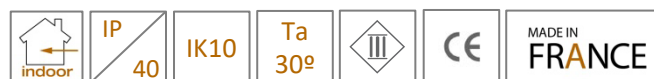
All connections must be made before switching on the power supply
otherwise the LEDs may be seriously damaged
Supplying this luminaire with constant voltage may cause irreversible damage



ELIS SUSPENDED CEILING

Commun characteristics

Range	Low luminance luminaire for general and accent lighting
Description	Black anodized aluminum heatsink RAL 9005 extra matt finish painted aluminum tube
Installation	Luminaire to be installed on a suspended ceiling using the 3 mobile fixing devices included Must be installed vertically (not suitable for horizontal installation) The fixing method must be adapted to the nature of the support and must withstand a weight of 10kg, i.e. 5 times the weight of the luminaire
Limits of use	The product must be installed in a ventilated area, at a minimum distance of 4 cm from any vertical wall. Any use in an ambient temperature above 30° will result in premature product mortality and the withdrawal of the warranty Not suitable for mounting on easily flammable materials Drivers, if not supplied by LOUSS, must be approved before use All products are tested before delivery
Warranty	Guaranteed flux: 80% of initial flux after 50,000 hours (L80B10), at 30°C ambient temperature 3-year parts and labor warranty. This warranty covers problems related to the manufacture and components of our products. The warranty does not apply if the product has been opened, modified or repaired. Damage caused by incorrect connection, lightning, overvoltage or misuse is not covered. Repairs are carried out in our workshop



Tous les raccordements doivent impérativement être effectués avant la mise sous tension sous peine d'endommager sérieusement les LED.

Alimenter ce luminaire en tension constante peut l'endommager de manière irréversible

LOUSS

Mise à jour : 11.09.2023

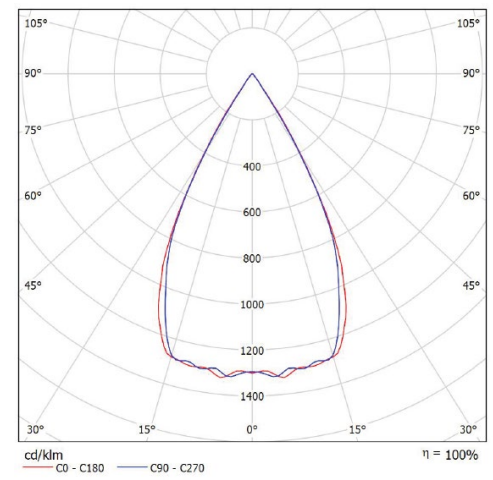
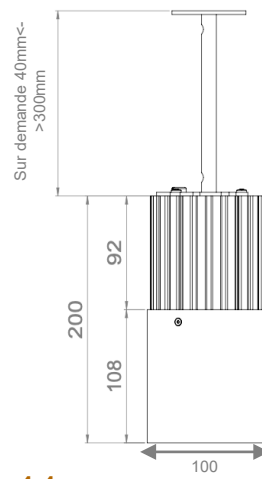
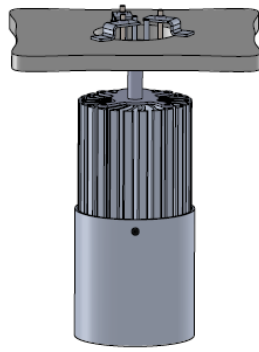
27/43

Firalux & LOUSS brands

SARL, Capital 40 000€
RCS DIJON B 503 367 245
TVA/VAT n°: FR24 503 367 245
APE 4676Z

Tel. : +33 380 48 65 68
contact@louss.fr
www.louss.fr
Best group

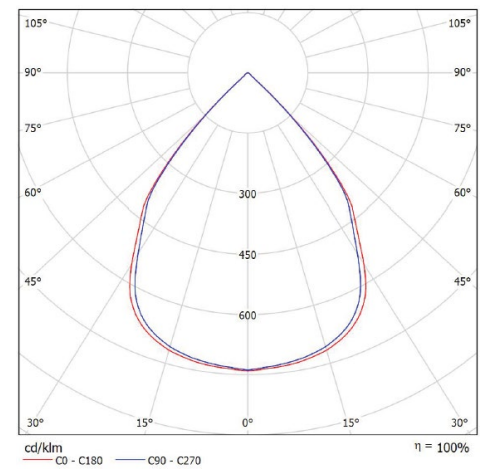
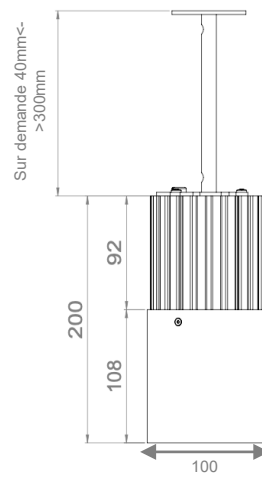
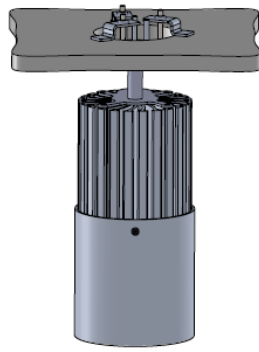
Siège social / Head Office
PA Les Terres d'Or
Route de Saint Philibert
21220 Gevrey Chambertin - FRANCE



ELIS D100 SUSPENDED CEILING-44

Dimensions	<p>Luminaire : Length 200mm - Diameter 100mm</p> <p>Rod : Length on request between 40mm and 300mm</p> <p>Total height : 240mm to 500mm</p>
Installation	<p>Mounting under suspended ceiling with 3 mobile brackets</p> <p>Mounting diameter: 70mm</p> <p>Thickness of the installation's surface: 20mm max.</p>
Net weight	1.7kg (40mm stem) to 1.8Kg (300mm stem)
LED characteristics	<p>2700K</p> <p>Ellipse MacAdam: 3 SDCM</p> <p>CRI 90</p> <p>UGR < 15</p> <p>3600 lm at 1350mA</p>
Optical beam	53°
Connection	Supplied with 1m cable
Separate power supply	<p>External constant-current driver, max. 1350mA, SELV type, compliant with EN 61347-2-13 standard.</p> <p>This driver must supply a minimum constant current of 100mA to obtain a minimum luminous flux of 45 lm</p> <p>It must not be able to deliver a current greater than 2A in both normal and short-circuit operation</p> <p>Terminal block not included. Installation requires the advice of a qualified person</p>
Electricals characteristics	<p>Electrical class : III</p> <p>Max. current : 1350mA</p> <p>Power : 46W at 1350mA</p> <p>Voltage : 34V at 1350mA</p>

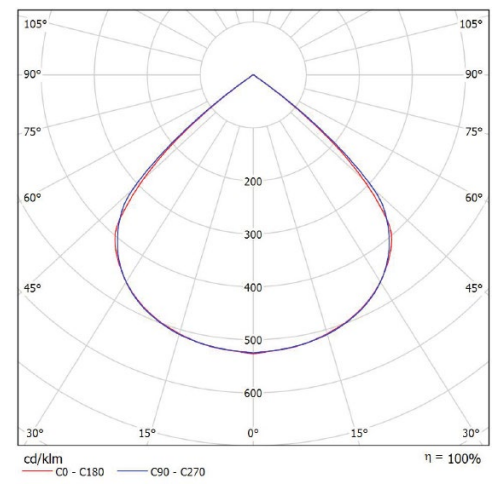
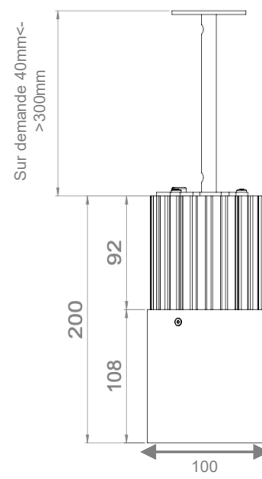
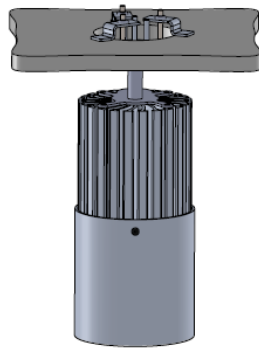
**All connections must be made before switching on the power supply.
otherwise the LEDs may be seriously damaged.
Supplying this luminaire with constant voltage may cause irreversible damage.**



ELIS D100 SUSPENDED CEILING-58

Dimensions	<p>Luminaire : Length 200mm - Diameter 100mm</p> <p>Rod : Length on request between 40mm and 300mm</p> <p>Total height : 240mm to 500mm</p>
Installation	<p>Mounting under suspended ceiling with 3 mobile brackets</p> <p>Mounting diameter: 70mm</p> <p>Thickness of the installation's surface: 20mm max.</p>
Net weight	1.9kg (40mm stem) to 2Kg (300mm stem)
LED characteristics	<p>2700K</p> <p>Ellipse MacAdam: 3 SDCM</p> <p>CRI 90</p> <p>UGR < 20</p> <p>3590 lm at 1400mA</p>
Optical beam	73°
Connection	Supplied with 1m cable
Separate power supply	<p>External constant-current driver, max. 1350mA, SELV type, compliant with EN 61347-2-13 standard</p> <p>This driver must supply a minimum constant current of 100mA to obtain a minimum luminous flux of 45 lm</p> <p>It must not be able to deliver a current greater than 2A in both normal and short-circuit operation</p> <p>Junction block not included</p> <p>Installation requires the advice of a qualified person</p>
Electricals characteristics	<p>Electrical class : III</p> <p>Max. current : 1400mA</p> <p>Power : 48W at 1400mA</p> <p>Voltage : 34.2V at 1400mA</p>

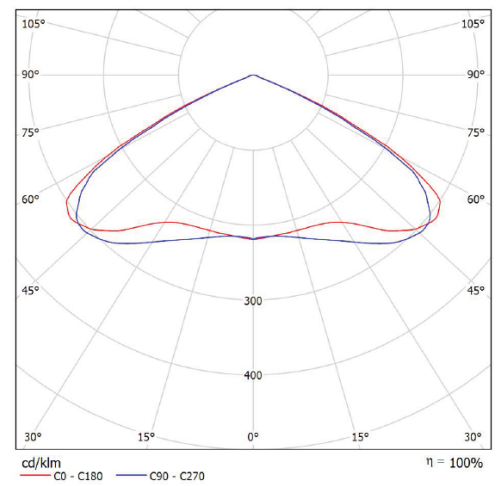
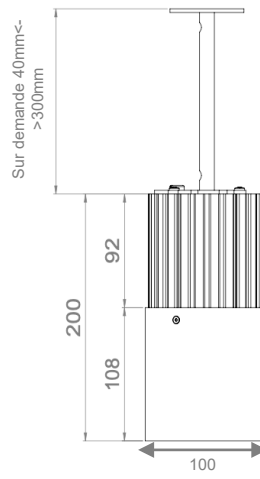
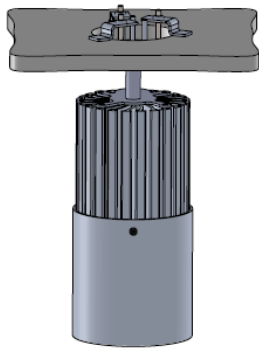
All connections must be made before switching on the power supply.
 otherwise the LEDs may be seriously damaged.
 Supplying this luminaire with constant voltage may cause irreversible damage.



ELIS D100 SUSPENDED CEILING-93

Dimensions	<p>Luminaire : Length 200mm - Diameter 100mm</p> <p>Rod : Length on request between 40mm and 300mm</p> <p>Total height : 240mm to 500mm</p>
Installation	<p>Mounting under suspended ceiling with 3 mobile brackets</p> <p>Mounting diameter: 70mm</p> <p>Thickness of the installation's surface: 20mm max.</p>
Net weight	1.9kg (40mm stem) to 2Kg (300mm stem)
LED characteristics	<p>2700K</p> <p>Ellipse MacAdam: 3 SDCM</p> <p>CRI 90</p> <p>UGR < 25</p> <p>4100 lm luminaire output at 1350mA</p>
Optical beam	91°
Connection	Supplied with 1m cable as standard, 3m optional
Separate power supply	<p>External constant-current driver, max. 1350mA, SELV type, compliant with EN 61347-2-13 standard.</p> <p>This driver must supply a minimum constant current of 100mA to obtain a minimum luminous flux of 45 lm</p> <p>It must not be able to deliver a current greater than 2A in both normal and short-circuit operation</p> <p>Junction block not included</p> <p>Installation requires the advice of a qualified person.</p>
Electricals characteristics	<p>Electrical class : III</p> <p>Max. current : 1350mA</p> <p>Power : 46W at 1350mA</p> <p>Voltage : 34V at 1350mA</p>

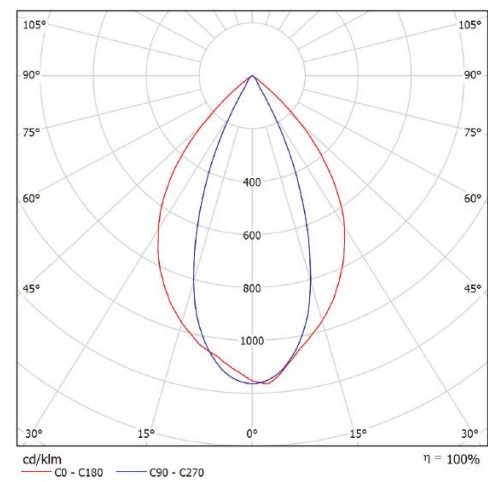
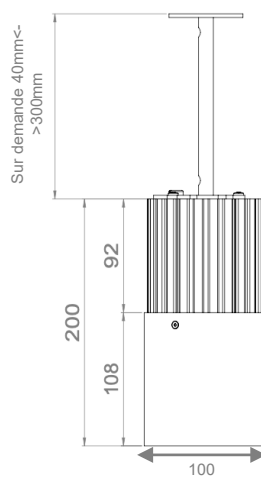
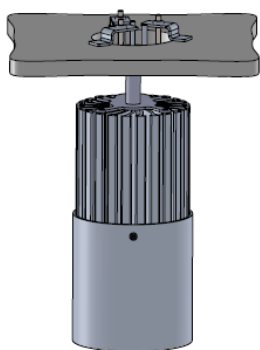
All connections must be made before switching on the power supply.
otherwise the LEDs may be seriously damaged.
Supplying this luminaire with constant voltage may cause irreversible damage.



ELIS D100 SUSPENDED CEILING-150

Dimensions	<p>Luminaire : Length 200mm - Diameter 100mm</p> <p>Rod : Length on request between 40mm and 300mm</p> <p>Total height : 240mm to 500mm</p>
Installation	<p>Mounting under suspended ceiling with 3 mobile brackets</p> <p>Mounting diameter: 70mm</p> <p>Thickness of the installation's surface: 20mm max.</p>
Net weight	2kg (40mm stem) to 2.1Kg (300mm stem)
LED characteristics	<p>2700K</p> <p>Ellipse MacAdam: 3 SDCM</p> <p>CRI 90</p> <p>UGR < 30</p> <p>3600 lm luminaire output at 1400mA</p>
Optical beam	120°
Connection	Supplied with 1m cable
Separate power supply	<p>External constant-current driver, max. 1350mA, SELV type, compliant with EN 61347-2-13 standard</p> <p>This driver must supply a minimum constant current of 100mA to obtain a minimum luminous flux of 45 lm</p> <p>It must not be able to deliver a current greater than 2A in both normal and short-circuit operation</p> <p>Junction block not included</p> <p>Installation requires the advice of a qualified person.</p>
Electricals characteristics	<p>Electrical class : III</p> <p>Max. current : 1400mA</p> <p>Power : 48W at 1400mA</p> <p>Voltage : 34,2V at 1400mA</p>

All connections must be made before switching on the power supply.
otherwise the LEDs may be seriously damaged.
Supplying this luminaire with constant voltage may cause irreversible damage.



ELIS D100 SUSPENDED CEILING-ELLIPTICAL

Dimensions	<p>Luminaire : Length 200mm - Diameter 100mm</p> <p>Rod : Length on request between 40mm and 300mm</p> <p>Total height : 240mm to 500mm</p>
Installation	<p>Mounting under suspended ceiling with 3 mobile brackets</p> <p>Mounting diameter: 70mm</p> <p>Thickness of the installation's surface: 20mm max.</p>
Net weight	1.7kg (40mm stem) to 1.8Kg (300mm stem)
LED characteristics	<p>2700K</p> <p>Ellipse MacAdam: 3 SDCM</p> <p>CRI 90</p> <p>UGR < 25</p> <p>3400 lm at 1350mA</p>
Optical beam	40°x70°
Connection	Supplied with 1m cable
Separate power supply	<p>External constant-current driver, max. 1350mA, SELV type, compliant with EN 61347-2-13 standard</p> <p>This driver must supply a minimum constant current of 100mA to obtain a minimum luminous flux of 45 lm</p> <p>It must not be able to deliver a current greater than 2A in both normal and short-circuit operation</p> <p>Junction block not included</p> <p>Installation requires the advice of a qualified person</p>
Electricals characteristics	<p>Electrical class : III</p> <p>Max. current : 1350mA</p> <p>Power : 46W at 1350mA</p> <p>Voltage : 34V at 1350mA</p>

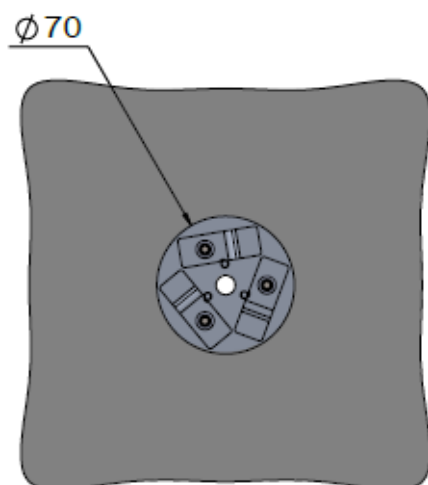
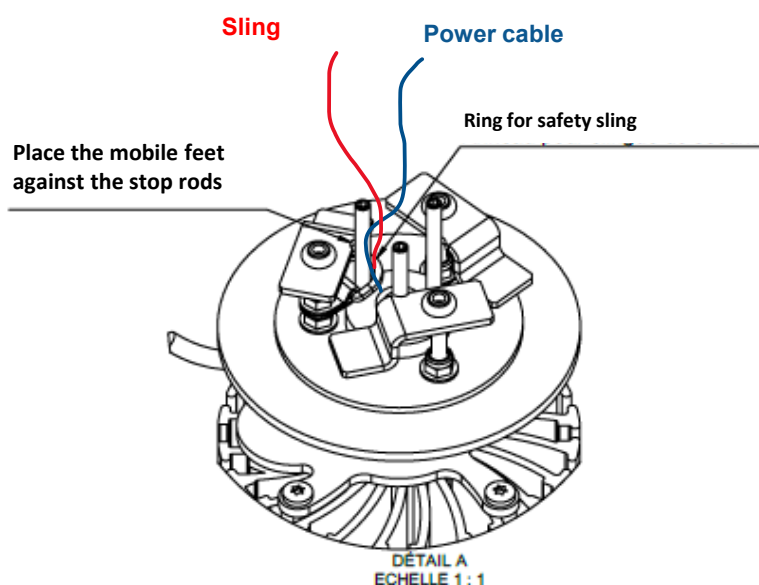
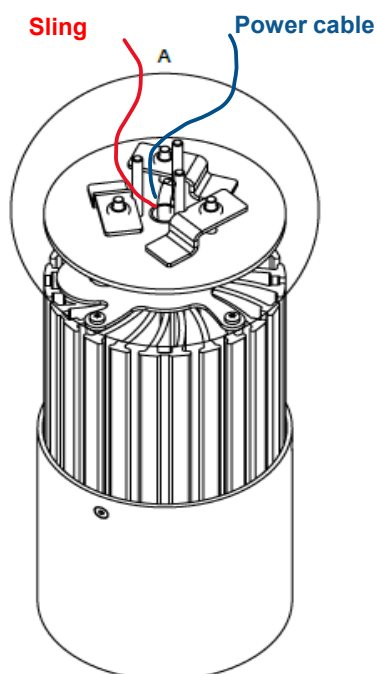
All connections must be made before switching on the power supply.
 otherwise the LEDs may be seriously damaged.
 Supplying this luminaire with constant voltage may cause irreversible damage.



ELIS D100 SUSPENDED CEILING

Installation guide

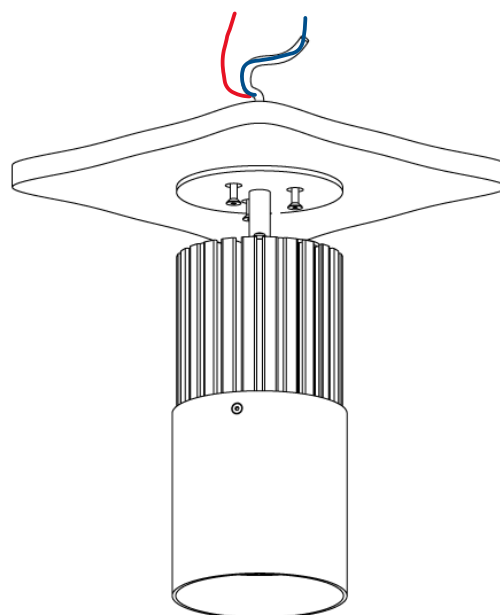
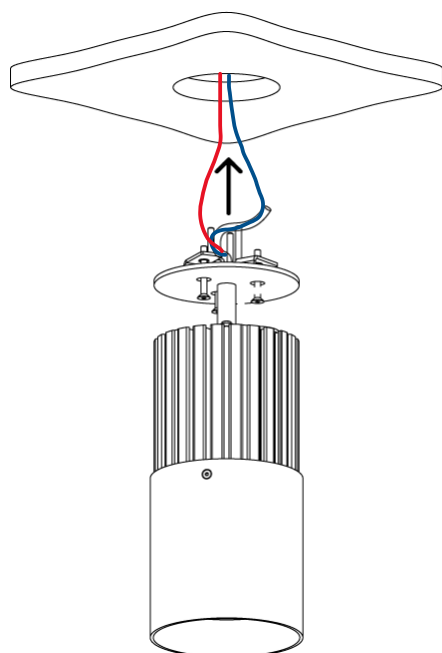
- 1 Before installation make sure that the ceiling can endure the weight of the luminaire (2.2kg max depending on version)
Fix the safety sling onto the provided ring
Connect the luminaire to the driver



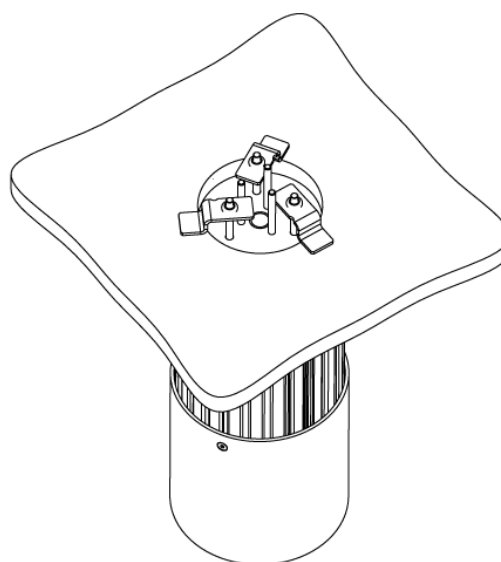
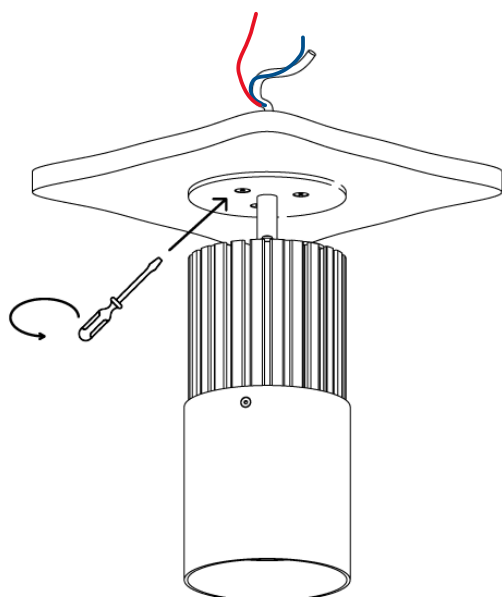
- 2 Place mobile brackets against stop pins (notches on stop side)

ELIS D100 SUSPENDED CEILING

Installation guide



3 Insert the luminaire into the ceiling



4 Tighten the screws, making sure that the mobile brackets are in contact with the ceiling

LOUSS

SARL, Capital 40 000€
RCS DIJON B 503 367 245
TVA/VAT n°: FR24 503 367 245
APE 4676Z

Last update : 2023/10/23

Tel. : +33 380 48 65 68
contact@louss.fr
www.louss.fr
Best group

34/43

Firalux & LOUSS brands

Siège social / Head Office
PA Les Terres d'Or
Route de Saint Philibert
21220 Gevrey Chambertin - FRANCE



ELIS SUSPENDED

Common characteristics

Range	Low luminance luminaire for general and accent lighting
Description	Black anodized aluminum heatsink RAL 9005 extra matt finish painted aluminum tube
Installation	Luminaire designed to be surface-mounted using the hook (not suitable for flush-mounting) Must be installed vertically (not suitable for horizontal installation). Luminaire's fixing method must be adapted to the nature of the support and must withstand a weight of 2.5kg, i.e. 5 times the weight of the luminaire
Limits of use	The product must be installed in a ventilated area, at a minimum distance of 4cm from any vertical wall. Use in ambient temperatures above 30° will result in premature product death and the withdrawal of the warranty Not suitable for mounting on easily flammable materials Drivers, if not supplied by LOuss, must be approved before use All products are tested before delivery
Warranty	Guaranteed flux: 80% of initial flux after 50,000 hours (L80B10), at 30°C ambient temperature 3-year parts and labor warranty. This warranty covers problems related to the manufacture and components of our products. The warranty does not apply if the product has been opened, modified or repaired. Damage caused by incorrect connection, lightning, overvoltage or misuse is not covered. Repairs are carried out in our workshop



All connections must be made before switching on the power supply.
otherwise the LEDs may be seriously damaged
Constant voltage supply to this luminaire may cause irreversible damage.

LOuss

Last update : 2023/10/24

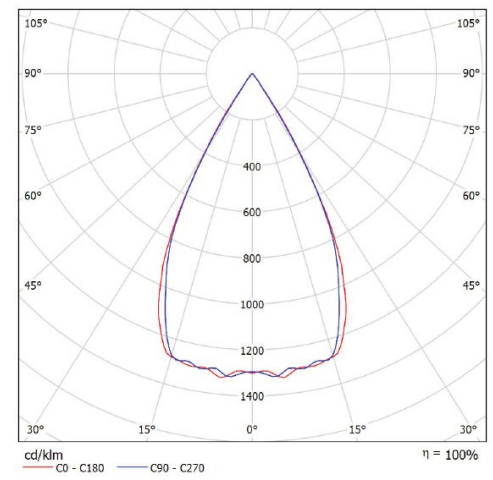
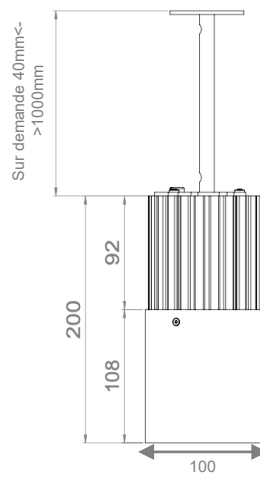
35/43

Firalux & LOuss brands

SARL, Capital 40 000€
RCS DIJON B 503 367 245
TVA/VAT n°: FR24 503 367 245
APE 4676Z

Tel. : +33 380 48 65 68
contact@louss.fr
www.louss.fr
Best group

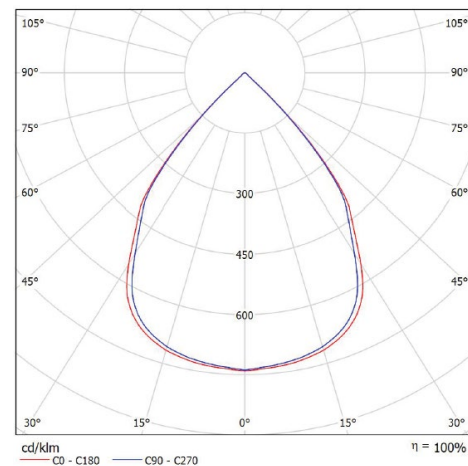
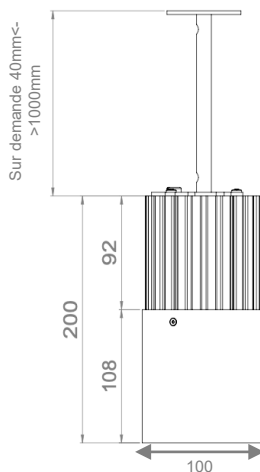
Siège social / Head Office
PA Les Terres d'Or
Route de Saint Philibert
21220 Gevrey Chambertin - FRANCE



ELIS D100 SUSPENDED-44

Dimensions	<p>Luminaire : Length 200mm - Diameter 100mm</p> <p>Rod : Length on request between 40mm and 1000mm</p> <p>Total height : 240mm to 1200mm</p>
Installation	Surface-mounted under horizontal surface by 4 screws diameter 4.5mm
Net weight	1.55kg (40mm stem) to 1.95Kg (1000mm stem)
LED characteristics	<p>2700K</p> <p>Ellipse MacAdam: 3 SDCM</p> <p>CRI 90</p> <p>UGR < 15</p> <p>3600 lm luminaire output at 1350mA</p>
Optical beam	53°
Connection	Supplied with 1m cable as standard, 3m optional
Separate power supply	<p>External constant-current driver, max. 1350mA, SELV type, compliant with EN 61347-2-13 standard</p> <p>This driver must supply a minimum constant current of 100mA to obtain a minimum luminous flux of 45 lm</p> <p>It must not be able to deliver a current greater than 2A in both normal and short-circuit operation</p> <p>Terminal block not included. Installation requires the advice of a qualified person</p>
Electricals characteristics	<p>Electrical class : III</p> <p>Max. current : 1350mA</p> <p>Power : 46W at 1350mA</p> <p>Voltage : 34V at 1350mA</p>

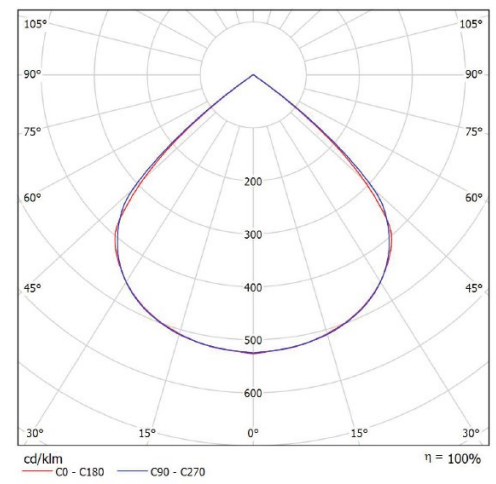
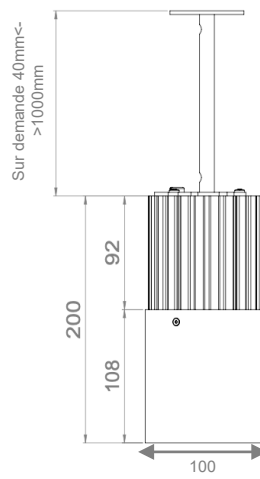
All connections must be made before switching on the power supply.
otherwise the LEDs may be seriously damaged
Constant voltage supply to this luminaire may cause irreversible damage.



ELIS D100 SUSPENDED-58

Dimensions	<p>Luminaire : Length 200mm - Diameter 100mm</p> <p>Rod : Length on request between 40mm and 1000mm</p> <p>Total height : 240mm to 1200mm</p>
Installation	Surface-mounted under horizontal surface by 4 screws diameter 4.5mm
Net weight	1.75kg (40mm stem) to 2.15Kg (1000mm stem)
LED characteristics	<p>2700K</p> <p>Ellipse MacAdam: 3 SDCM</p> <p>CRI 90</p> <p>UGR < 15</p> <p>3590 lm luminaire output at 1400mA</p>
Optical beam	73°
Connection	Supplied with 1m cable
Separate power supply	<p>External constant-current driver, max. 1350mA, SELV type, compliant with EN 61347-2-13 standard</p> <p>This driver must supply a minimum constant current of 100mA to obtain a minimum luminous flux of 45 lm</p> <p>It must not be able to deliver a current greater than 2A in both normal and short-circuit operation</p> <p>Terminal block not included. Installation requires the advice of a qualified person</p>
Electricals characteristics	<p>Electrical class : III</p> <p>Max. current : 1400mA</p> <p>Power : 48W à 1400mA</p> <p>Voltage : 34.2V à 1400mA</p>

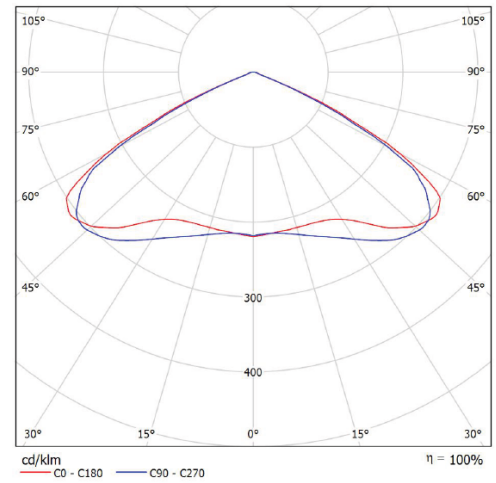
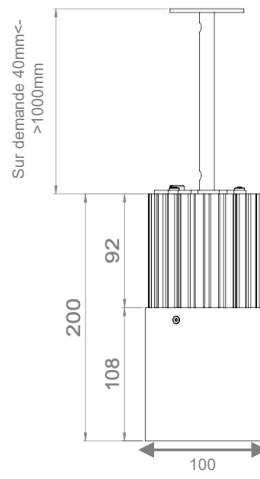
All connections must be made before switching on the power supply.
otherwise the LEDs may be seriously damaged
Constant voltage supply to this luminaire may cause irreversible damage.



ELIS D100 SUSPENDU-93

Dimensions	<p>Luminaire : Length 200mm - Diameter 100mm</p> <p>Rod : Length on request between 40mm and 1000mm</p> <p>Total height : 240mm to 1200mm</p>
Installation	Horizontal mounting by 4 screws diameter 4.5mm
Net weight	1.75kg (40mm stem) to 2.15Kg (1000mm stem)
LED characteristics	<p>2700K</p> <p>Ellipse MacAdam: 3 SDCM</p> <p>CRI 90</p> <p>UGR < 15</p> <p>4100 lm luminaire output at 1350mA</p>
Optical beam	91°
Connection	Supplied with 1m cable
Separate power supply	<p>External constant-current driver, max. 1350mA, SELV type, compliant with EN 61347-2-13 standard</p> <p>This driver must supply a minimum constant current of 100mA to obtain a minimum luminous flux of 45 lm</p> <p>It must not be able to deliver a current greater than 2A in both normal and short-circuit operation</p> <p>Terminal block not included. Installation requires the advice of a qualified person</p>
Electrical characteristics	<p>Electrical class : III</p> <p>Max. current : 1350mA</p> <p>Power : 46W à 1350mA</p> <p>Voltage : 34V à 1350mA</p>

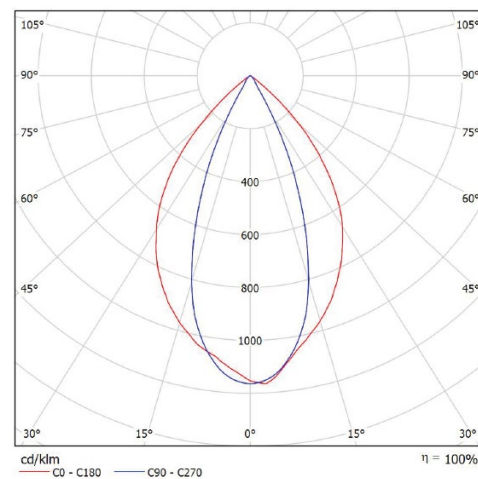
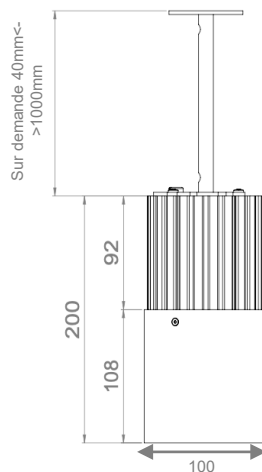
All connections must be made before switching on the power supply.
otherwise the LEDs may be seriously damaged
Constant voltage supply to this luminaire may cause irreversible damage



ELIS D100 SUSPENDED-150

Dimensions	Luminaire : Length 200mm - Diameter 100mm Rod : Length on request between 40mm and 1000mm Total height : 240mm to 1200mm
Installation	Horizontal mounting by 4 screws diameter 4.5mm
Net weight	1.85kg (40mm stem) to 2.25Kg (1000mm stem)
LED characteristics	2700K Ellipse MacAdam: 3 SDCM CRI 90 UGR < 15 3600 lm luminaire output at 1400mA
Optical beam	120°
Connection	Supplied with 1m cable
Separate power supply	External constant-current driver, max. 1350mA, SELV type, compliant with EN 61347-2-13 standard This driver must supply a minimum constant current of 100mA to obtain a minimum luminous flux of 45 lm It must not be able to deliver a current greater than 2A in both normal and short-circuit operation Terminal block not included. Installation requires the advice of a qualified person
Electricals characteristics	Electrical class : III Max. current : 1400mA Power : 48W à 1400mA Voltage : 34.2V à 1400mA

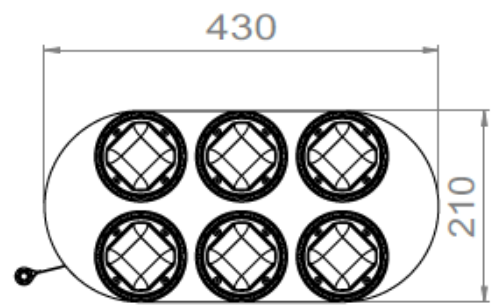
All connections must be made before switching on the power supply.
otherwise the LEDs may be seriously damaged
Constant voltage supply to this luminaire may cause irreversible damage



ELIS D100 SUSPENDED-ELLIPTICAL

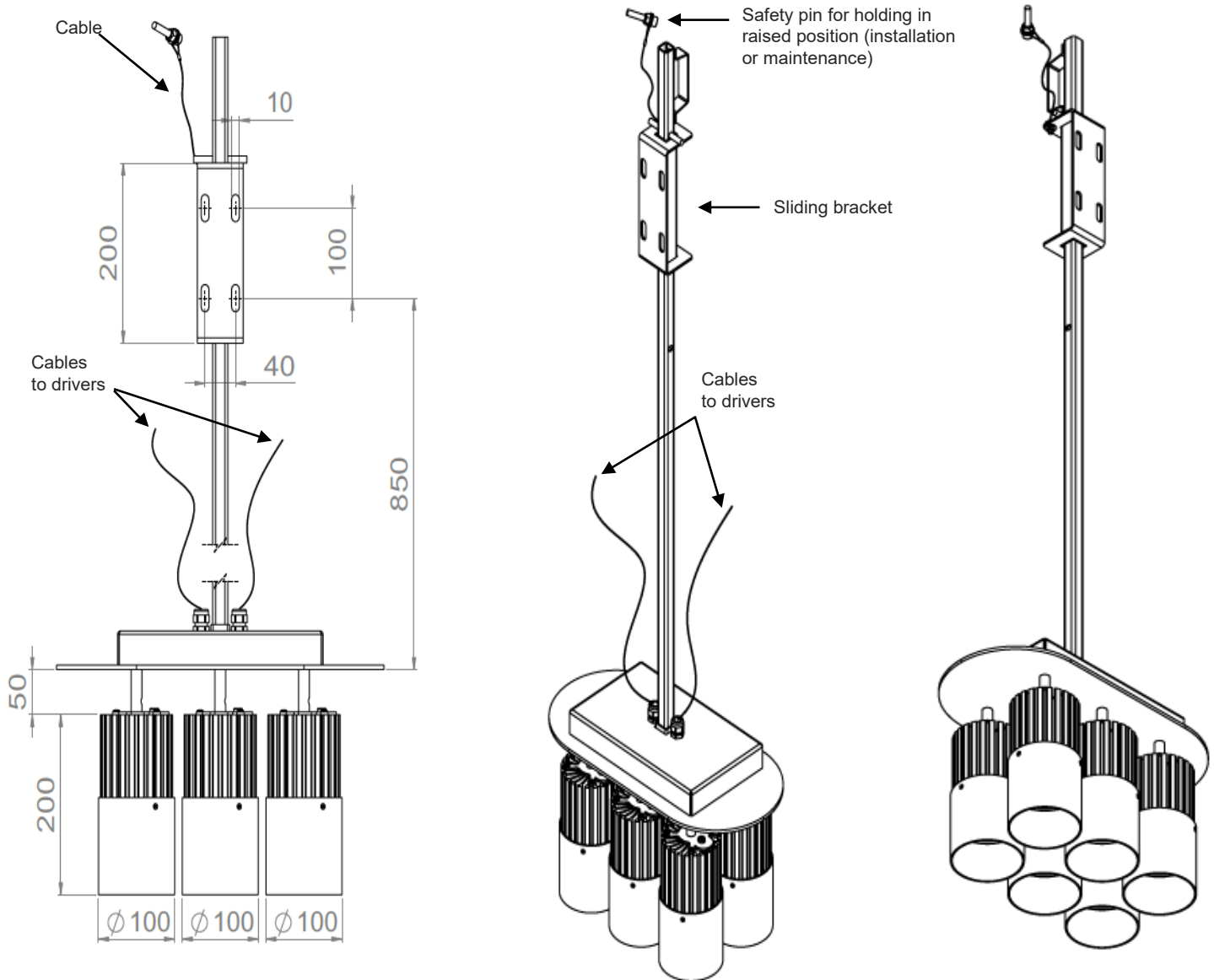
Dimensions	<p>Luminaire : Length 200mm - Diameter 100mm</p> <p>Rod : Length on request between 40mm and 1000mm</p> <p>Total height : 240mm to 1200mm</p>
Installation	Horizontal mounting by 4 screws diameter 4.5mm
Net weight	1.75kg (40mm stem) to 2.15Kg (1000mm stem)
LED characteristics	<p>2700K</p> <p>Ellipse MacAdam: 3 SDCM</p> <p>CRI 90</p> <p>UGR < 15</p> <p>3400 lm luminaire output at 1350mA</p>
Optical beam	40°x70°
Connection	Supplied with 1m
Separate power supply	<p>External constant-current driver, max. 1350mA, SELV type, compliant with EN 61347-2-13 standard</p> <p>This driver must supply a minimum constant current of 100mA to obtain a minimum luminous flux of 45 lm</p> <p>It must not be able to deliver a current greater than 2A in both normal and short-circuit operation</p> <p>Junction block not included. Installation requires the advice of a qualified person</p>
Electricals characteristics	<p>Electrical class : III</p> <p>Max. current : 1350mA</p> <p>Power : 46W à 1350mA</p> <p>Voltage : 34V à 1350mA</p>

All connections must be made before switching on the power supply
otherwise the LEDs may be seriously damaged
Constant voltage supply to this luminaire may cause irreversible damage

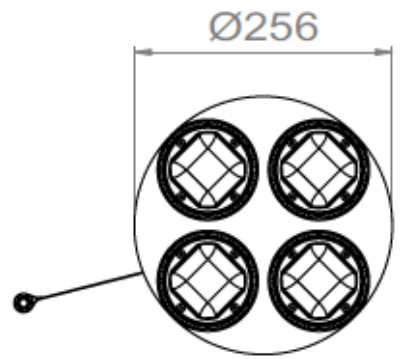


ELIS D100 SUSPENDED-CLUSTER6

Cluster 6 spots

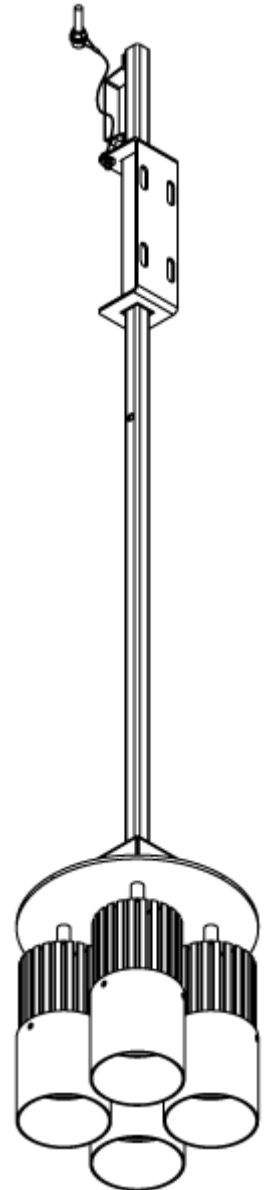
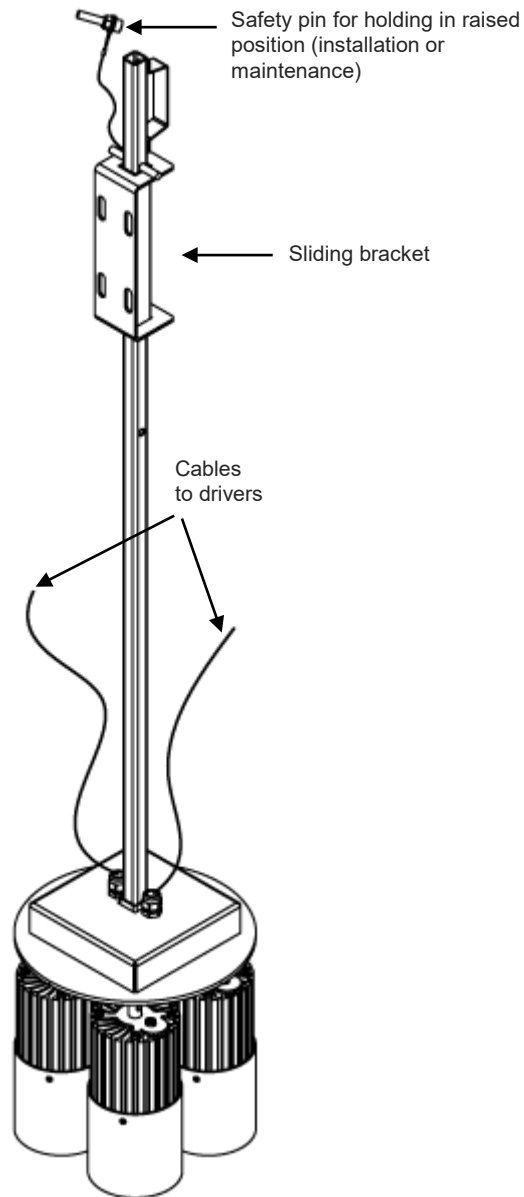
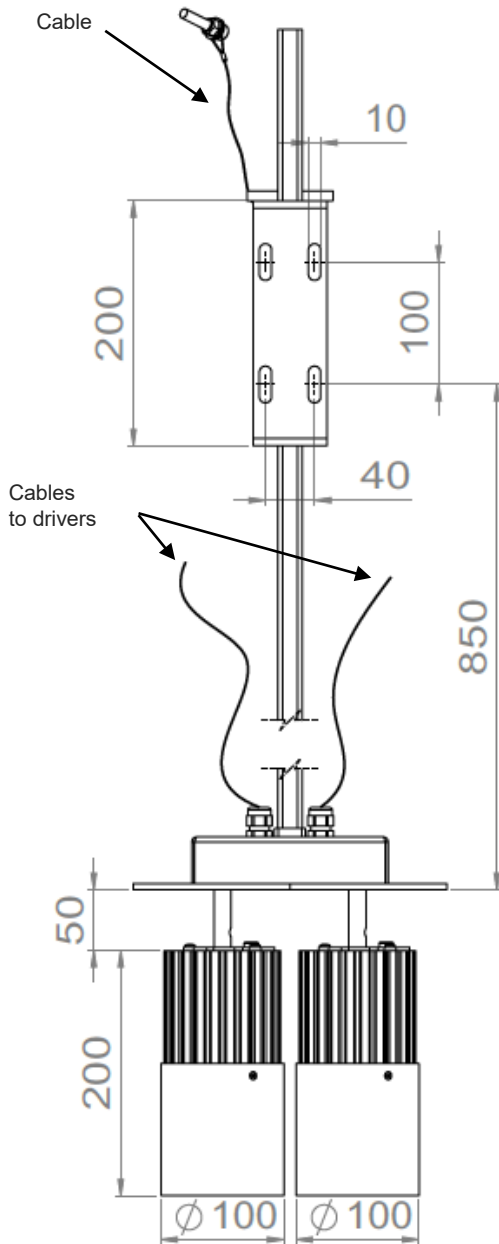


All connections must be made before switching on the power supply
 otherwise the LEDs may be seriously damaged
 Constant voltage supply to this luminaire may cause irreversible damage



ELIS D100 SUSPENDED CLUSTER4

Cluster 4 spots



All connections must be made before switching on the power supply
 otherwise the LEDs may be seriously damaged
 Constant voltage supply to this luminaire may cause irreversible damage

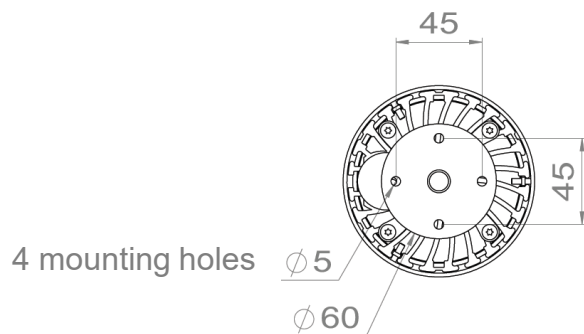
ELIS D100 SUSPENDED

Installation instructions



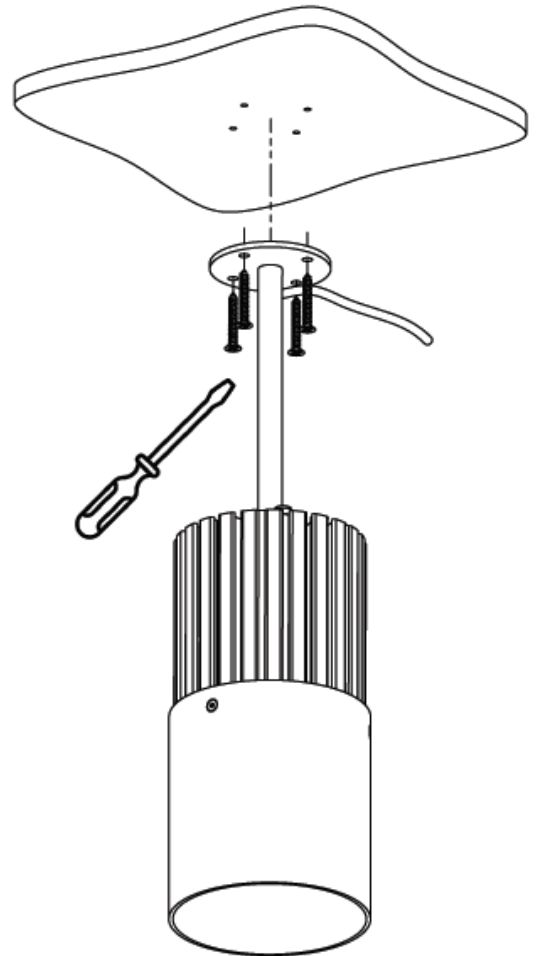
- 1 Make sure that the support can endure the weight of the luminaire (2.5 kg max. depending on version)

- 2 Drill 4 holes in the round metal plate according to the indications below



- 3 Screw in the 4 screws

- 4 Connect the luminaire to the driver



All connections must be made before switching on the power supply
otherwise the LEDs may be seriously damaged
Constant voltage supply to this luminaire may cause irreversible damage