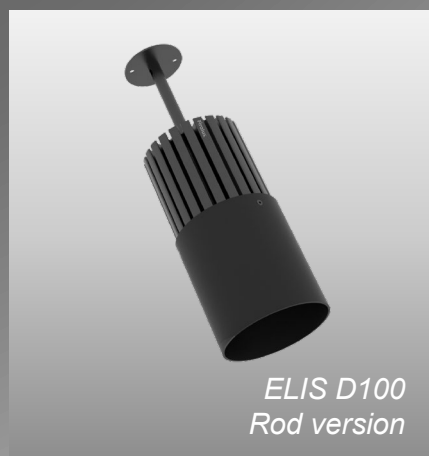
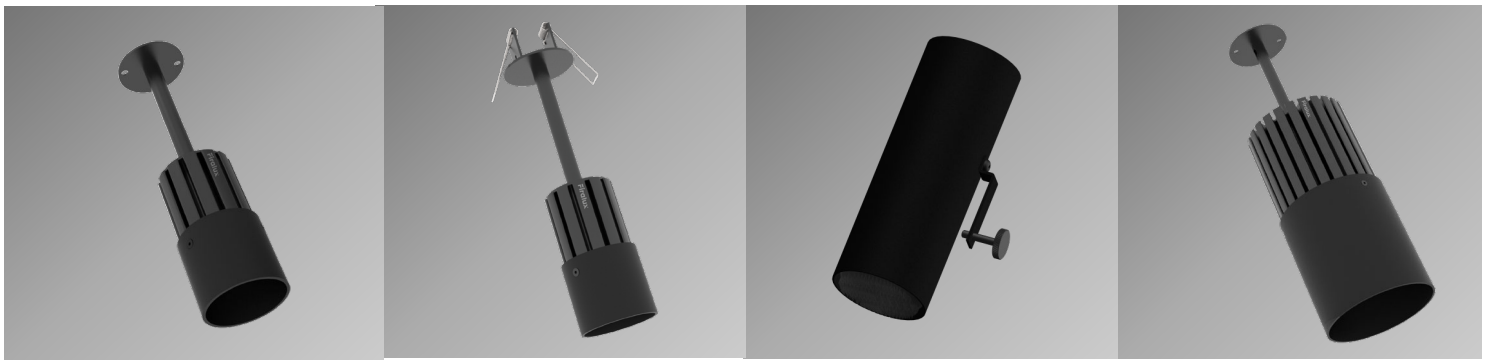


## ELIS RANGE



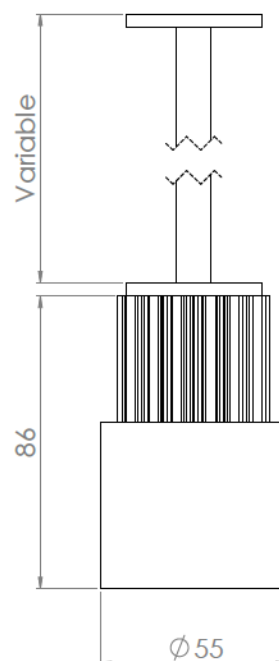


## ELIS

### Common characteristics

<b>Range</b>	Low luminance luminaire for general and accent lighting
<b>Description</b>	Aluminium heatsink and body
<b>Installation</b>	Installation on ceiling with 2 screws
<b>LED characteristics</b>	2700K - 3000K – 3500K – 4000K – 5000K MacAdam ellipse : 3 SDCM (standard version) – 2 SDCM (premium version) CRI 90 (standard version) – CRI 95, R9 > 90 (premium version) UGR < 15
<b>Separate power supply</b>	350mA to 1400mA constant current driver according to version Dimmable driver upon request
<b>Use limitations</b>	The product must be installed into a ventilated area. Any use with an ambient temperature higher than the specified ambient temperature (Ta) would lead to a more rapid mortality of the product and the withdrawal of our guarantees. The drivers, if not delivered by LOuss, must be approved before use.
<b>Warranty</b>	Life span: L80B10 at 50,000 hours (80% remaining flux) at 25°C ambient temperature. 3-year parts and labour warranty. The warranty does not apply to products that have been opened, modified or repaired and does not cover the effects of a wrong connection, careless, abusive handling, overvoltage, lighting injury, as well as the normal wear of the product. All products are electrically tested and received a functional burn-in.

All the connections have to be made before powering up,  
otherwise the luminaire could be seriously damaged.

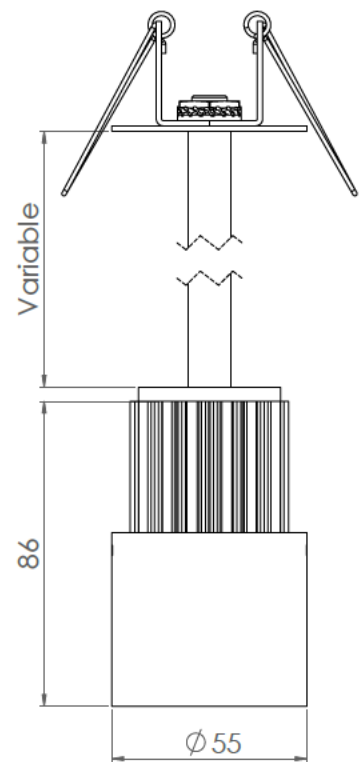


## ELIS D55

Rod version

<b>Net weight</b>	0.80 kg
<b>Optical beam</b>	7° - 12° - 15° - 20° - 25° - 30° - 35° - 44° - 30x56 – Elliptical – Asymmetric Special filters, honey comb grid upon request
<b>Installation</b>	Installation on ceiling with 2 screws
<b>Connection</b>	Delivered with 0.50m cable
<b>LED power</b>	6W to 25W

All the connections have to be made before powering up,  
otherwise the luminaire could be seriously damaged.

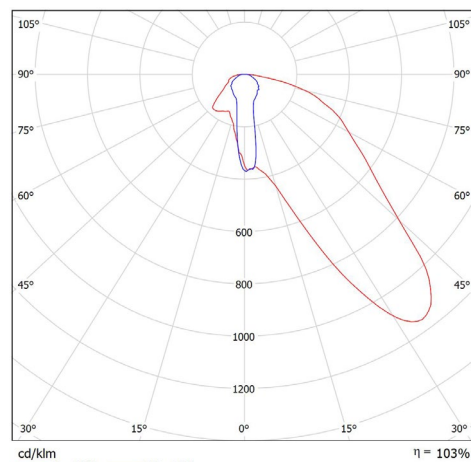
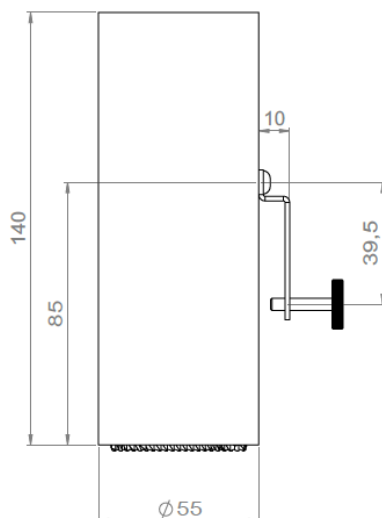


## ELIS D55

*Recessed version*

<b>Net weight</b>	0.80 kg
<b>Optical beam</b>	7° - 12° - 15° - 20° - 25° - 30° - 35° - 44° - 30x56 – Elliptical – Asymmetric Special filters, honey comb grid upon request
<b>Installation</b>	Installation on ceiling with 2 screws
<b>Connection</b>	Delivered with 0.50m cable
<b>LED power</b>	6W to 25W

All the connections have to be made before powering up,  
otherwise the luminaire could be seriously damaged.

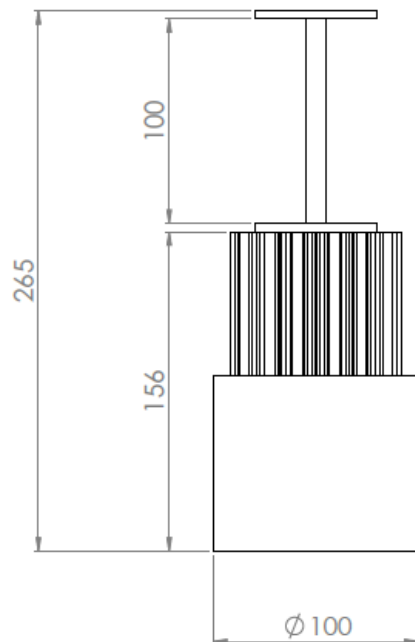


## ELIS D55

*Asymmetrical wall washer version*

<b>Description</b>	White finish RAL 9003 or black finish RAL 9005 fine matt textured (other upon request)
<b>Luminous flux</b>	1000 to 2500 lm according to version
<b>Net weight</b>	0.80 kg
<b>Optical beam</b>	Assymetric wall washer
<b>Connection</b>	Delivered with 0.50m cable
<b>LED power</b>	6W to 25W

All the connections have to be made before powering up, otherwise the luminaire could be seriously damaged.



## ELIS D100

*Rod version*

<b>Net weight</b>	1.50 kg
<b>Luminous flux</b>	2000 to 5000 lm according to version
<b>Optical beam</b>	25° - 45° - 60° - 90° - 150° - 44°x 65° Special filters, honey comb grid upon request
<b>Connection</b>	Delivered with 0.80m cable
<b>LED power</b>	50W max

All the connections have to be made before powering up, otherwise the luminaire could be seriously damaged.