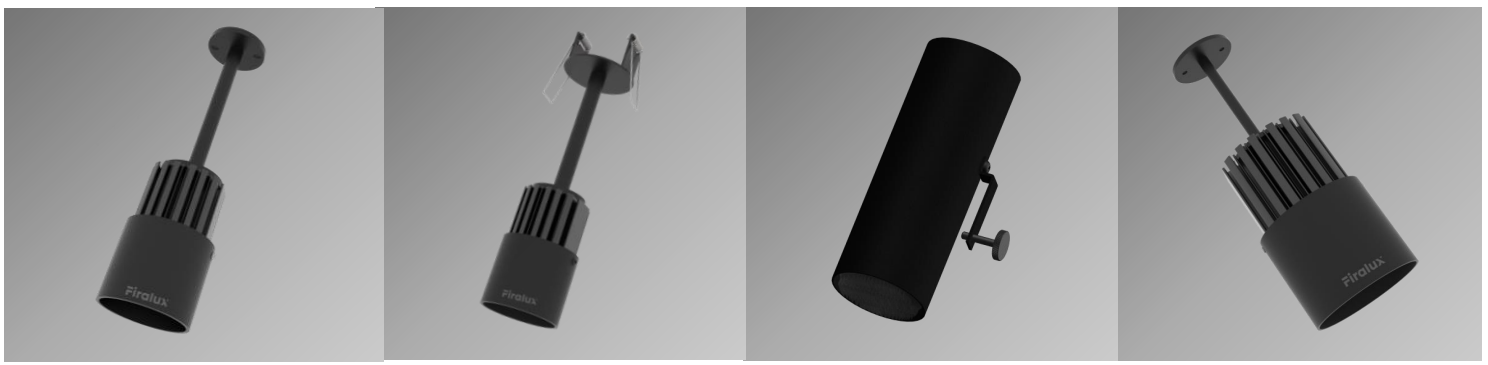


ELIS RANGE



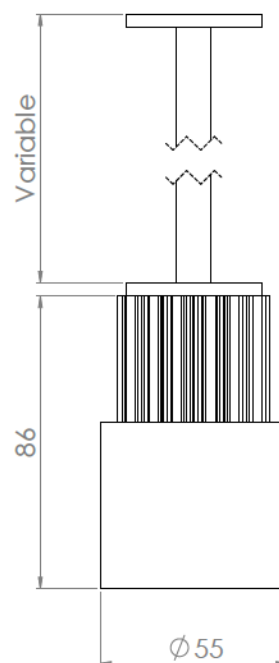


ELIS

Common characteristics

Range	Low luminance luminaire for general and accent lighting
Description	Aluminium heatsink and body
Installation	Installation on ceiling with 2 screws
LED characteristics	2700K - 3000K – 3500K – 4000K – 5000K MacAdam ellipse : 3 SDCM (standard version) – 2 SDCM (premium version) CRI 90 (standard version) – CRI 95, R9 > 90 (premium version) UGR < 15
Separate power supply	350mA to 1400mA constant current driver according to version Dimmable driver upon request
Use limitations	The product must be installed into a ventilated area. Any use with an ambient temperature higher than the specified ambient temperature (Ta) would lead to a more rapid mortality of the product and the withdrawal of our guarantees. The drivers, if not delivered by LOuss, must be approved before use.
Warranty	Life span: L80B10 at 50,000 hours (80% remaining flux) at 25°C ambient temperature. 3-year parts and labour warranty. The warranty does not apply to products that have been opened, modified or repaired and does not cover the effects of a wrong connection, careless, abusive handling, overvoltage, lighting injury, as well as the normal wear of the product. All products are electrically tested and received a functional burn-in.

All the connections have to be made before powering up, otherwise the luminaire could be seriously damaged.



ELIS D55

Rod version

Net weight	0.80 kg
Optical beam	7° - 12° - 15° - 20° - 25° - 30° - 35° - 44° - 30x56 – Elliptical – Asymmetric Special filters, honey comb grid upon request
Installation	Installation on ceiling with 2 screws
Connection	Delivered with 0.50m cable
LED power	6W to 25W

All the connections have to be made before powering up,
otherwise the luminaire could be seriously damaged.

LOUSS

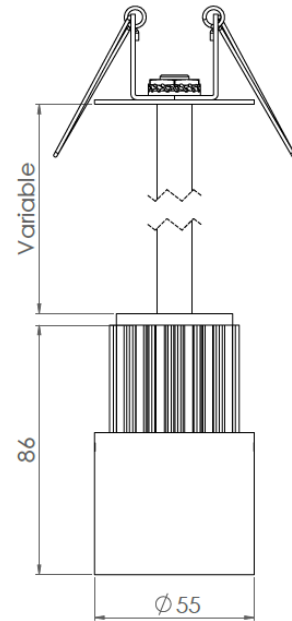
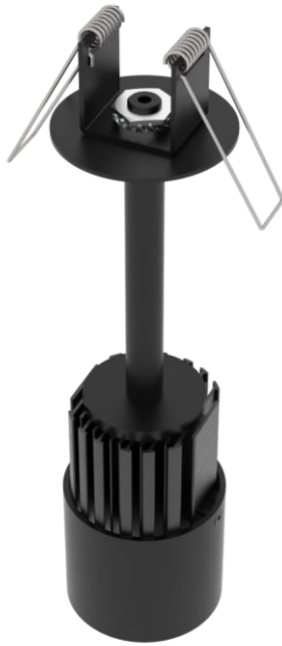
Last update : 03/11/2021

Firalux & LOUSS brands

SARL, Capital 40 000€
RCS DIJON B 503 367 245
TVA/VAT n°: FR24 503 367 245
APE 4676Z

Tel. : +33 380 48 65 68
contact@louss.fr
www.louss.fr
Best group

Siège social / Head Office
PA Les Terres d'Or
Route de Saint Philibert
21220 Gevrey Chambertin - FRANCE



ELIS D55

Recessed version

Net weight	0.80 kg
Optical beam	7° - 12° - 15° - 20° - 25° - 30° - 35° - 44° - 30x56 – Elliptical – Asymmetric Special filters, honey comb grid upon request
Installation	Installation on ceiling with 2 screws
Connection	Delivered with 0.50m cable
LED power	6W to 25W

All the connections have to be made before powering up,
otherwise the luminaire could be seriously damaged.

Louss

Last update : 03/11/2021

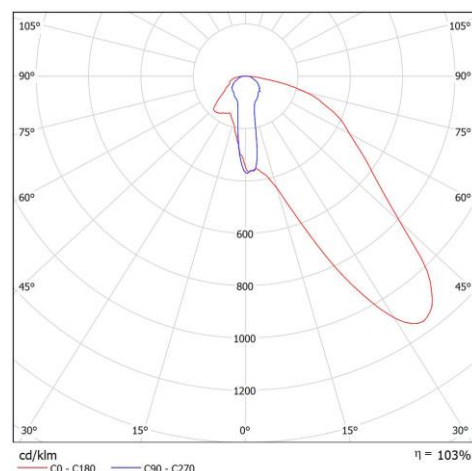
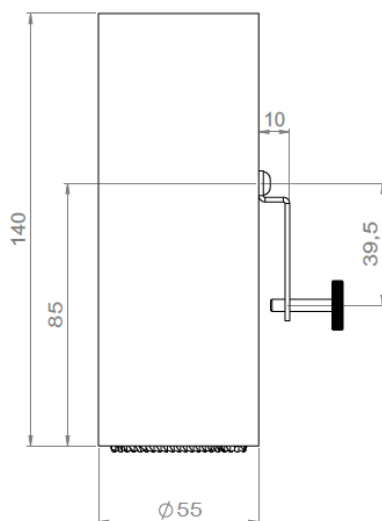
4/6

Firalux & LOuss brands

SARL, Capital 40 000€
RCS DIJON B 503 367 245
TVA/VAT n°: FR24 503 367 245
APE 4676Z

Tel. : +33 380 48 65 68
contact@louss.fr
www.louss.fr
Best group

Siège social / Head Office
PA Les Terres d'Or
Route de Saint Philibert
21220 Gevrey Chambertin - FRANCE

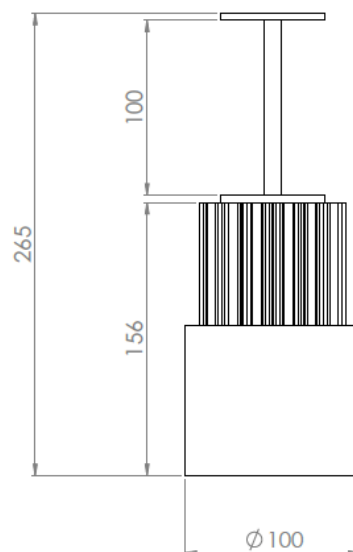


ELIS D55

Asymmetrical wall washer version

Description	White finish RAL 9003 or black finish RAL 9005 fine matt textured (other upon request)
Luminous flux	1000 to 2500 lm according to version
Net weight	0.30 kg
Optical beam	Assymetric wall washer
Connection	Delivered with 0.50m cable
LED power	6W to 25W

All the connections have to be made before powering up, otherwise the luminaire could be seriously damaged.



ELIS D100

Rod version

Net weight	1.50 kg
Luminous flux	2000 to 5000 lm according to version
Optical beam	25° - 45° - 60° - 90° - 150° - 44°x 65° Special filters, honey comb grid upon request
Connection	Delivered with 0.80m cable
LED power	50W max

All the connections have to be made before powering up,
otherwise the luminaire could be seriously damaged.