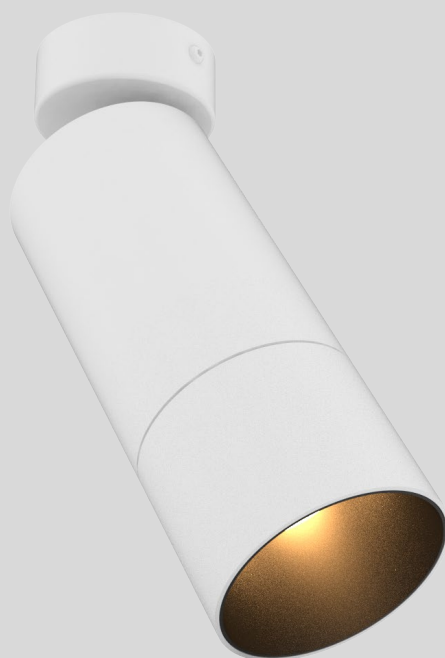


Wouss

**Firalux**

# AURORE WALL-MOUNTED



# Index



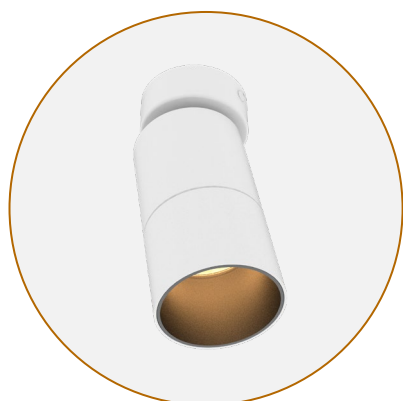
**Aurore D40**  
3



**Aurore D40 Pivot**  
9



**Aurore D42**  
12



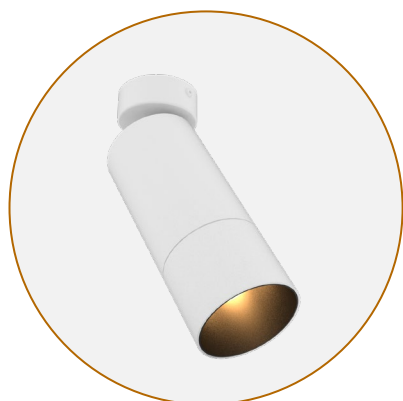
**Aurore D52**  
18



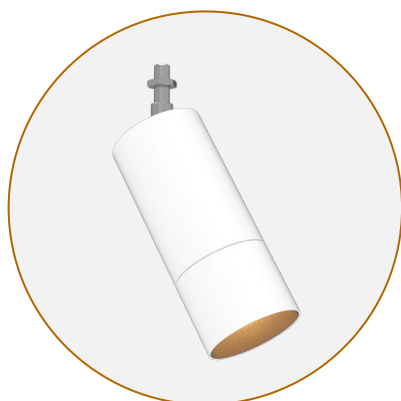
**Aurore D52 Pivot**  
21



**Aurore D55**  
23



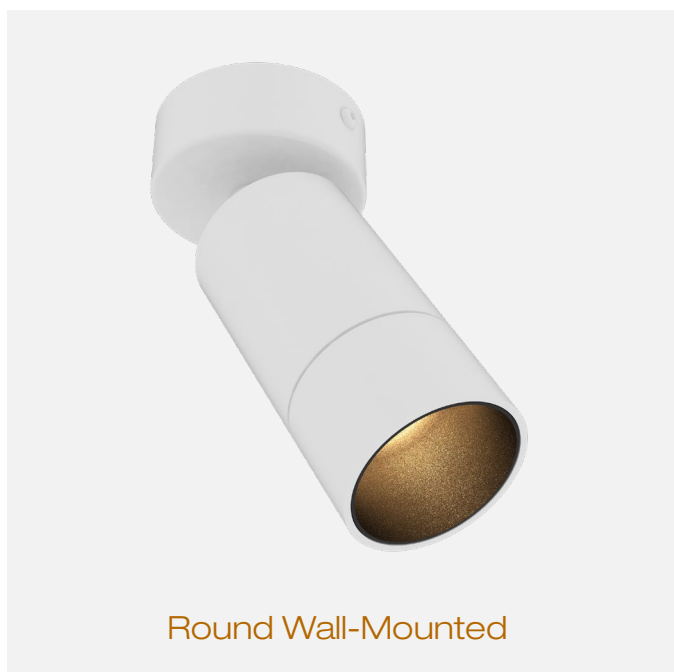
**Aurore D60**  
27



**Aurore D60 Pivot**  
30



**Aurore D82**  
32



# AURORE D40 WALL-MOUNTED



## AURORE D40 WALL-MOUNTED • Round • Round Magnetic

<b>Range</b>	Highly adjustable luminaires for general & accent lighting
<b>Description</b>	Luminaire equipped with low luminance spotlight Rotation 360° - Adjustable tilt 90° max <b>Round Magnetic version</b> : Magnetic mounting with safety sling ring Magnetic fixing disk to be fixed on a non-magnetic surface (optional) <b>Optional</b> : Easily changeable LED, optics and accessories on-site without any tool, with integrated <b>Easy Swap</b> system (see page 6)
<b>Finish</b>	White RAL 9003 matt finish Black RAL 9005 matt finish (other upon request)
<b>Dimensions</b>	Spotlight diameter : 40mm Spotlight length : 80mm Wall-mounted box diameter : 52mm
<b>Net weight</b>	± 0.210kg according to version
<b>LED characteristics</b>	2700K - 3000K - 3500K - 4000K - 5000K (other upon request) MacAdam ellipse : 3 SDCM CRI90 (standard version) - CRI95, R9 > 80
<b>Optical beams</b>	6° - 10° - 15° - 20° - 25° - 30° - 35° - 40° - 55° - 60° - Elliptical UGR < 15
<b>Accessories</b>	Filtres, honeycomb grid upon request
<b>Luminous flux</b>	300 to 800 lumen according to version
<b>Connection</b>	Supplied with 0.5m cable Or connectors in the box
<b>Power supply</b>	Remote constant current driver 700mA max. according to version Dimmable driver upon request For US & Canada, use a UL class 2 driver
<b>Power</b>	4W to 10W according to version
<b>Installation &amp; Connection</b>	Luminaires supplied with 0.5m cable. Quick connector upon request <b>Optional</b> : connectors in the box  The drivers can be remote to a distance up to 5m max. For greater distances (10-15m max.), please contact us. Depending on the installation, anti-surge protection may be provided with the luminaires  Take into consideration the cumulative length of all the cables when connecting several luminaires in series on the same driver

All the connections have to be made before powering up,  
otherwise the luminaires could be seriously damaged



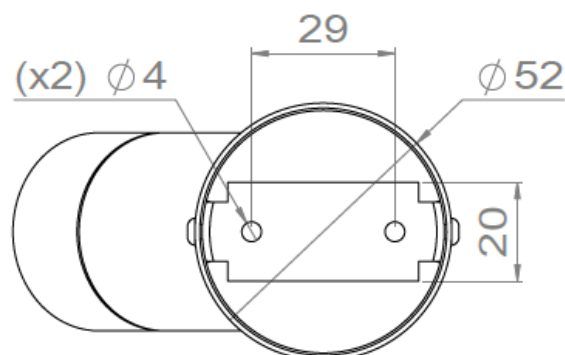
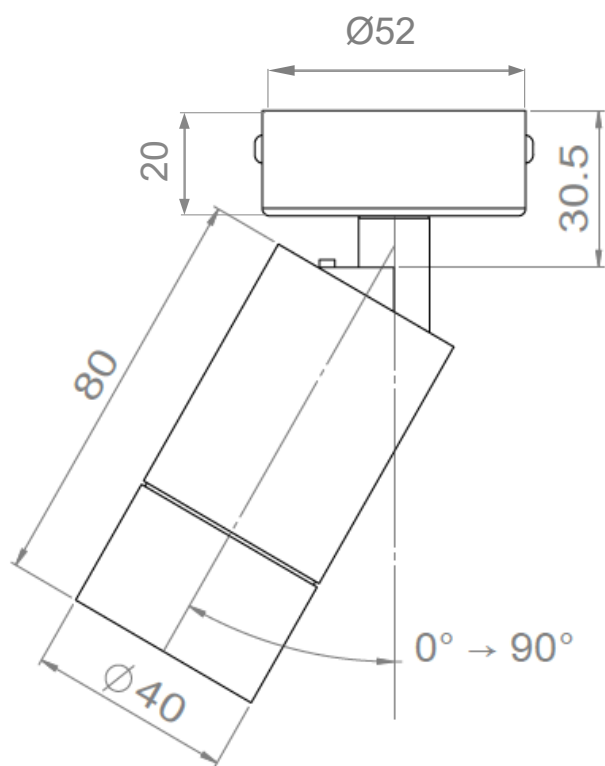
## AURORE D40 WALL-MOUNTED • Round • Round Magnetic

<b>Use limitations</b>	<p>The product must be installed into a ventilated area</p> <p>Any use with an ambient temperature higher than the specified ambient temperature (Ta) would lead to a more rapid mortality of the product and the withdrawal of our guarantees</p> <p>The drivers, if not delivered by LOuss, must be approved before use</p>
<b>Warranty</b>	<p>Life span: L80B10 at 50,000 hours (80% remaining flux) at 25°C ambient temperature</p> <p>3-year parts and labour warranty</p> <p>The warranty does not apply to products that have been opened, modified or repaired and does not cover the effects of a wrong connection, careless, abusive handling, overvoltage, lighting injury, as well as the normal wear of the product</p> <p>All products are electrically tested and received a functional burn-in</p>

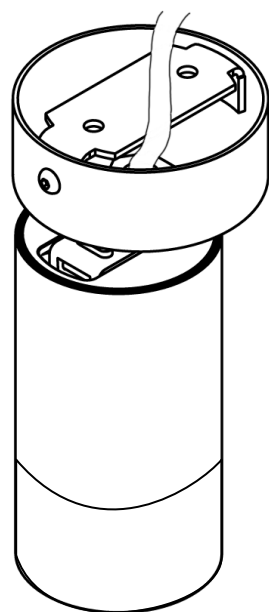
All the connections have to be made before powering up,  
otherwise the luminaires could be seriously damaged



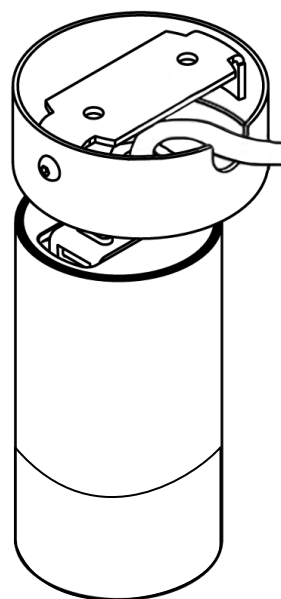
## AURORE D40 ROUND WALL-MOUNTED



Cable output from behind



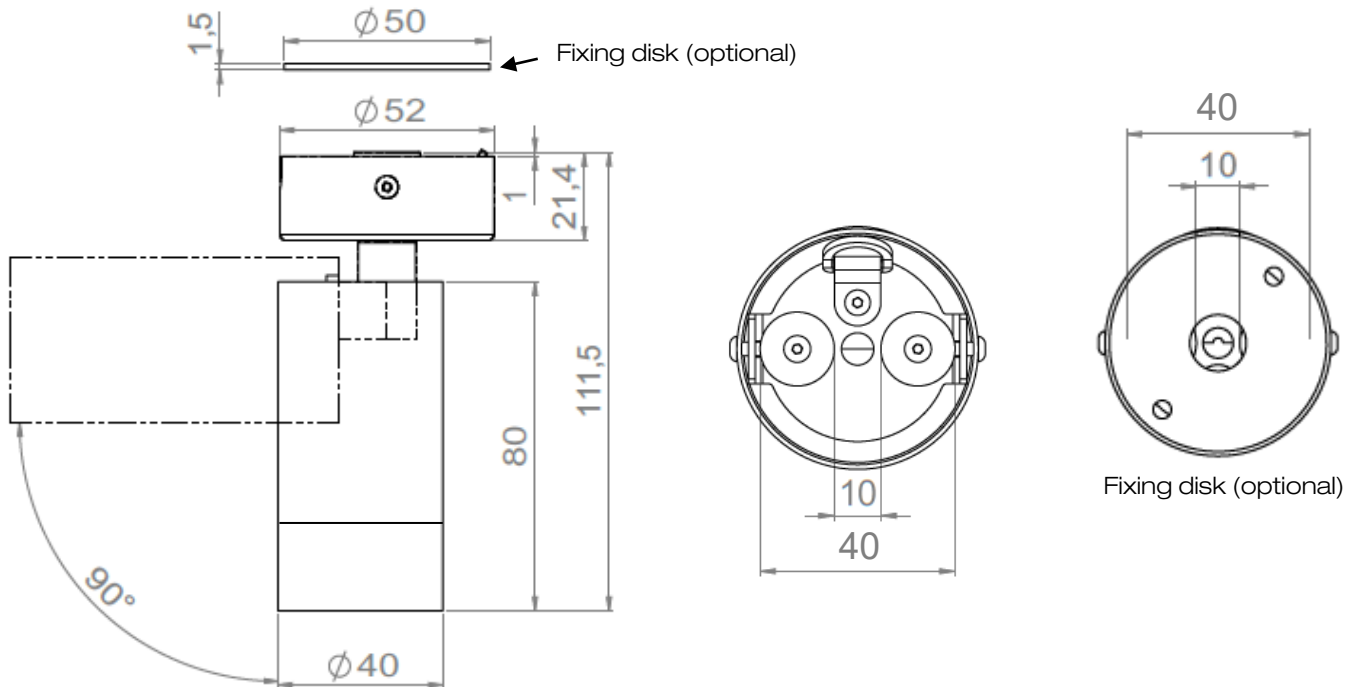
Cable output on the side



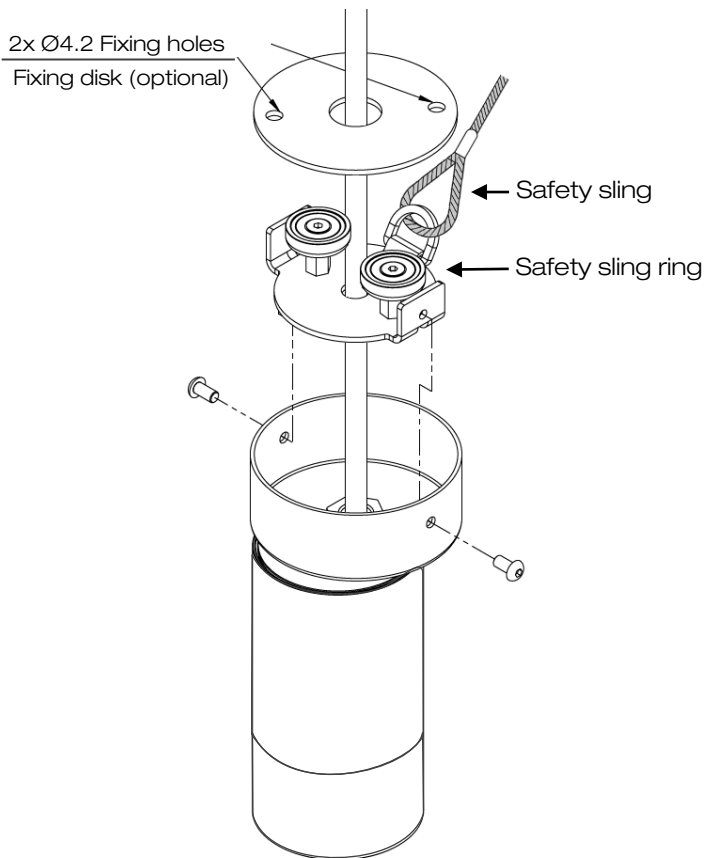
All the connections have to be made before powering up,  
otherwise the luminaires could be seriously damaged



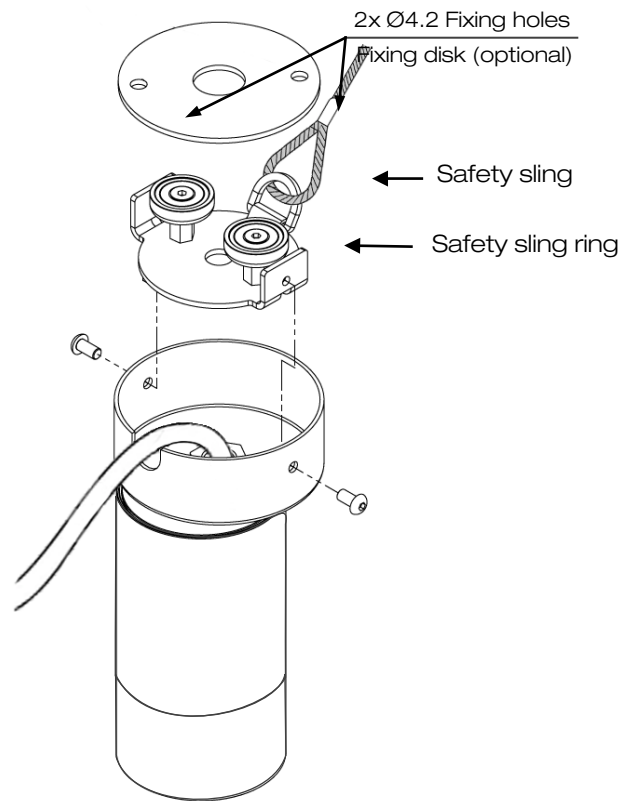
## AURORE D40 ROUND WALL-MOUNTED MAGNETIC



Cable output from behind



Cable output on the side



All the connections have to be made before powering up, otherwise the luminaires could be seriously damaged

Louss

Last update: 2025.16.10

2/6



## AURORE D40 WALL-MOUNTED • Round • Round Magnetic

Easy Swap system



All the connections have to be made before powering up,  
otherwise the luminaires could be seriously damaged

LOUSS

Last update: 2025.16.10

2/6

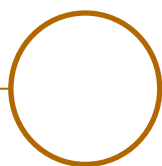
BEST SAS, Capital 200 000€  
RCS Dijon B 408 483 485  
TVA/VAT n° : FR94 408 483 485  
APE 2612Z

Tel. : +33 380 48 65 68  
contact@louss.fr  
[www.louss.fr](http://www.louss.fr)  
Best & LOUSS

Siège social / Head Office  
PA Les Terres d'Or  
Route de Saint Philibert  
21220 Gevrey Chambertin - FRANCE



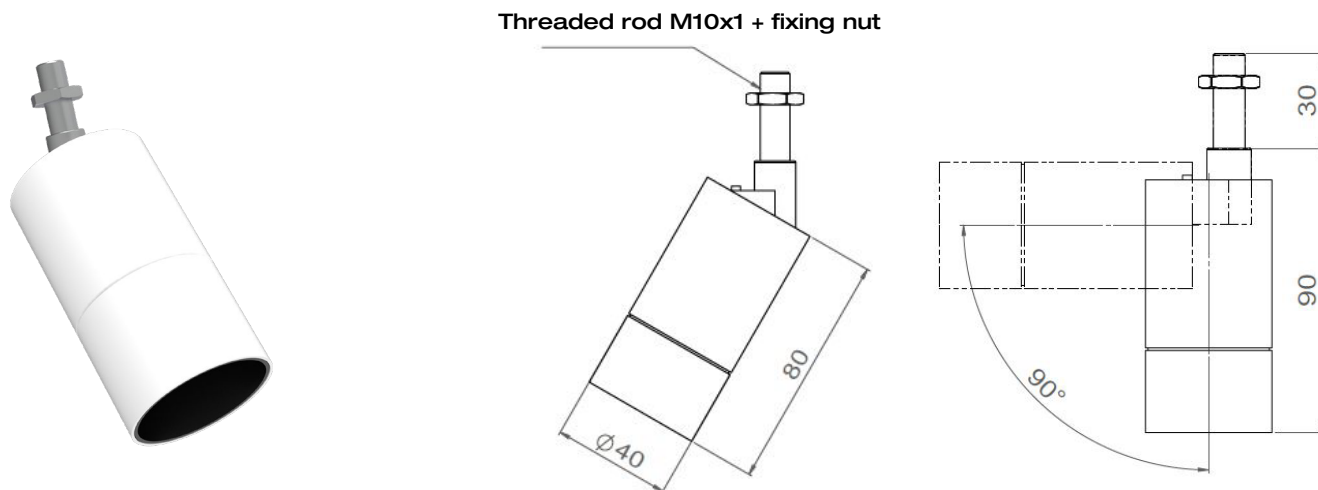
**Firalux**  
Lighting Emotion



## AURORE D40 PIVOT

**LEASY**  
Easy Swap System





## AURORE D40 PIVOT

<b>Range</b>	Highly adjustable luminaire for general & accent lighting
<b>Description</b>	Luminaire equipped with low luminance spotlight Rotation 360° - Adjustable tilt 90° max <b>Optional</b> : Easily changeable LED, optics and accessories on site, without any tool, with integrated <b>Easy Swap</b> system (see page 3)
<b>Finish</b>	White RAL 9003 matt finish Black RAL 9005 matt finish (other upon request)
<b>Dimensions</b>	Spotlight diameter : 40mm Spotlight length : 80mm
<b>Net Weight</b>	0.150 kg
<b>LED characteristics</b>	2700K – 3000K – 3500K – 4000K – 5000K MacAdam ellipse: 3 SDCM CRI 90 (standard) – CRI 95, R9 > 80
<b>Optical beams</b>	6° - 10° - 15° - 20° - 25° - 30° - 35° - 40° - 55° - 60° - Elliptical UGR < 15
<b>Accessories</b>	Filters, honeycomb grid
<b>Luminous flux</b>	300 to 800 lumen according to version
<b>Installation</b>	Fixation with threaded rod M10x1 + fixing nut
<b>Connection</b>	Supplied with 0.5m cable
<b>Power supply</b>	Remote constant current driver 700mA max. according to version Dimmable driver upon request For US & Canada, use a UL class 2 driver
<b>Power</b>	3W to 10W according to version
<b>Use limitations</b>	The product must be installed into a ventilated area Any use with an ambient temperature higher than the specified ambient temperature (Ta) would lead to a more rapid mortality of the product and the withdrawal of our guarantees The drivers, if not delivered by LOuss, must be approved before use
<b>Warranty</b>	Life span: L80B10 at 50,000 hours (80% remaining flux) at 25°C ambient temperature. 3-year parts and labour warranty. The warranty does not apply to products that have been opened, modified or repaired and does not cover the effects of a wrong connection, careless, abusive handling, overvoltage, lighting injury, as well as the normal wear of the product All products are electrically tested and received a functional burn-in

All the connections have to be made before powering up,  
otherwise the luminaires could be seriously damaged

Last update : 2025.06.19

LOuss

BEST SAS, Capital 200 000€  
RCS Dijon B 408 483 485  
TVA/VAT n° : FR94 408 483 485  
APE 2612Z

Tel. : +33 380 48 65 68  
contact@louss.fr  
[www.louss.fr](http://www.louss.fr)  
Best & LOuss

Siège social / Head Office  
PA Les Terres d'Or  
Route de Saint Philibert  
21220 Gevrey Chambertin - FRANCE



## AURORE D40 PIVOT

Easy swap system



All the connections have to be made before powering up,  
otherwise the luminaires could be seriously damaged

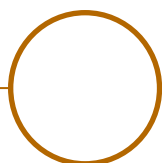
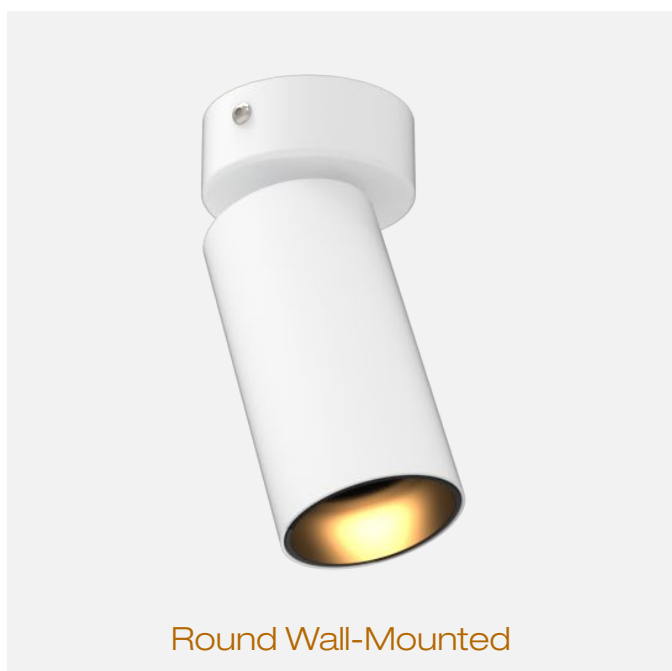
Last update : 2025.06.19

LOUSS

BEST SAS, Capital 200 000€  
RCS Dijon B 408 483 485  
TVA/VAT n° : FR94 408 483 485  
APE 2612Z

Tel. : +33 380 48 65 68  
contact@louss.fr  
[www.louss.fr](http://www.louss.fr)  
Best & LOUSS

Siège social / Head Office  
PA Les Terres d'Or  
Route de Saint Philibert  
21220 Gevrey Chambertin - FRANCE



## AURORE D42 WALL-MOUNTED



## AURORE D42 WALL-MOUNTED • Round • Round Magnetic

<b>Range</b>	Highly adjustable luminaires for general & accent lighting
<b>Description</b>	<p>Luminaire equipped with low luminance spotlight            Rotation 360° - Adjustable tilt 90° max</p> <p><b>Round Magnetic version</b> : Magnetic mounting with safety sling ring            Magnetic fixing disk to be fixed on a non-magnetic surface (optional)</p> <p>Easily changeable LED, optics and accessories on-site without any tool, with integrated <b>Permuto</b> Easy Swap system (see page 6)</p>
<b>Finish</b>	<p>White RAL 9003 matt finish            Black RAL 9005 matt finish            (other upon request)</p>
<b>Dimensions</b>	<p>Spotlight diameter : 42mm            Spotlight length : 80mm            Wall-mounted box diameter : 52mm</p>
<b>Net weight</b>	± 0.230kg according to version
<b>LED characteristics</b>	<p>2700K - 3000K - 3500K - 4000K - 5000K (other upon request)            MacAdam ellipse : 3 SDCM            CRI90 (standard version) - CRI95, R9 &gt; 80</p>
<b>Optical beams</b>	<p>6° - 10° - 15° - 20° - 25° - 30° - 35° - 40° - 55° - 60° - Elliptical            UGR &lt; 15</p>
<b>Accessories</b>	Filters, honeycomb grids upon request
<b>Luminous flux</b>	300 to 800 lumen according to version
<b>Power supply</b>	<p>Remote constant current driver 700mA max. according to version            Dimmable driver upon request            For US &amp; Canada, use a UL class 2 driver</p>
<b>Power</b>	4W to 10W according to version
<b>Installation &amp; Connection</b>	<p>Luminaires supplied with 0.5m cable. Quick connector upon request  <b>Optional</b> : connectors in the box</p> <p>The drivers can be remote to a distance up to 5m max. For greater distances (10-15m max.), please contact us. Depending on the installation, anti-surge protection may be provided with the luminaires</p> <p>Take into consideration the cumulative length of all the cables when connecting several luminaires in series on the same driver</p>

All the connections have to be made before powering up,  
 otherwise the luminaires could be seriously damaged



## AURORE D42 WALL-MOUNTED • Round • Round Magnetic

<b>Use limitations</b>	<p>The product must be installed into a ventilated area</p> <p>Any use with an ambient temperature higher than the specified ambient temperature (Ta) would lead to a more rapid mortality of the product and the withdrawal of our guarantees</p> <p>The drivers, if not delivered by LOuss, must be approved before use</p>
<b>Warranty</b>	<p>Life span: L80B10 at 50,000 hours (80% remaining flux) at 25°C ambient temperature</p> <p>3-year parts and labour warranty</p> <p>The warranty does not apply to products that have been opened, modified or repaired and does not cover the effects of a wrong connection, careless, abusive handling, overvoltage, lighting injury, as well as the normal wear of the product</p> <p>All products are electrically tested and received a functional burn-in</p>

All the connections have to be made before powering up,  
otherwise the luminaires could be seriously damaged

LOuss

Last update: 2025.10.15

3/6

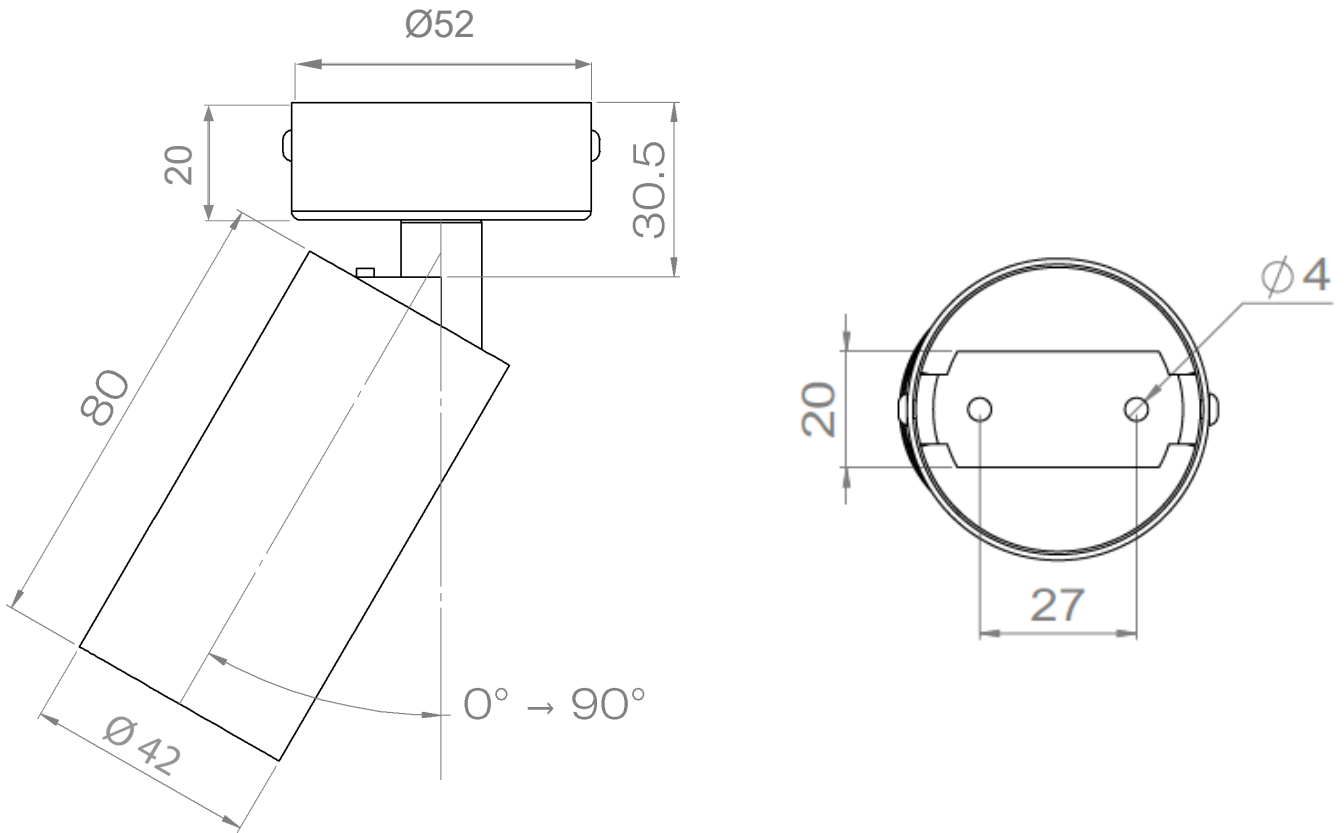
BEST SAS, Capital 200 000€  
RCS Dijon B 408 483 485  
TVA/VAT n° : FR94 408 483 485  
APE 2612Z

Tel. : +33 380 48 65 68  
contact@louss.fr  
[www.louss.fr](http://www.louss.fr)  
Best & LOuss

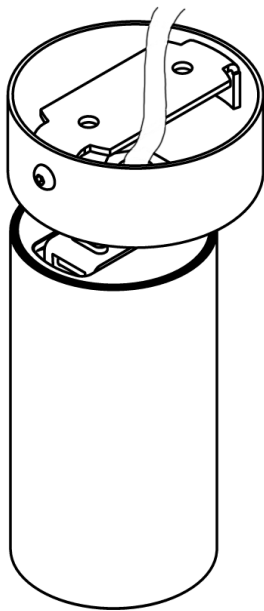
Siège social / Head Office  
PA Les Terres d'Or  
Route de Saint Philibert  
21220 Gevrey Chambertin - FRANCE



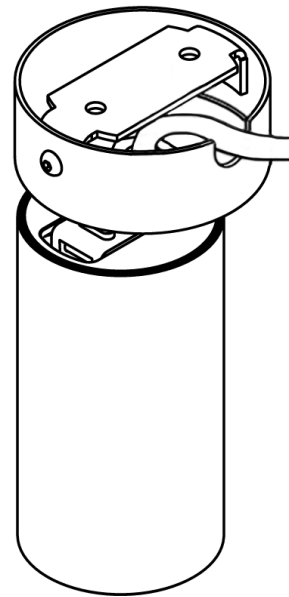
## AURORE D42 ROUND WALL-MOUNTED



Cable output from behind



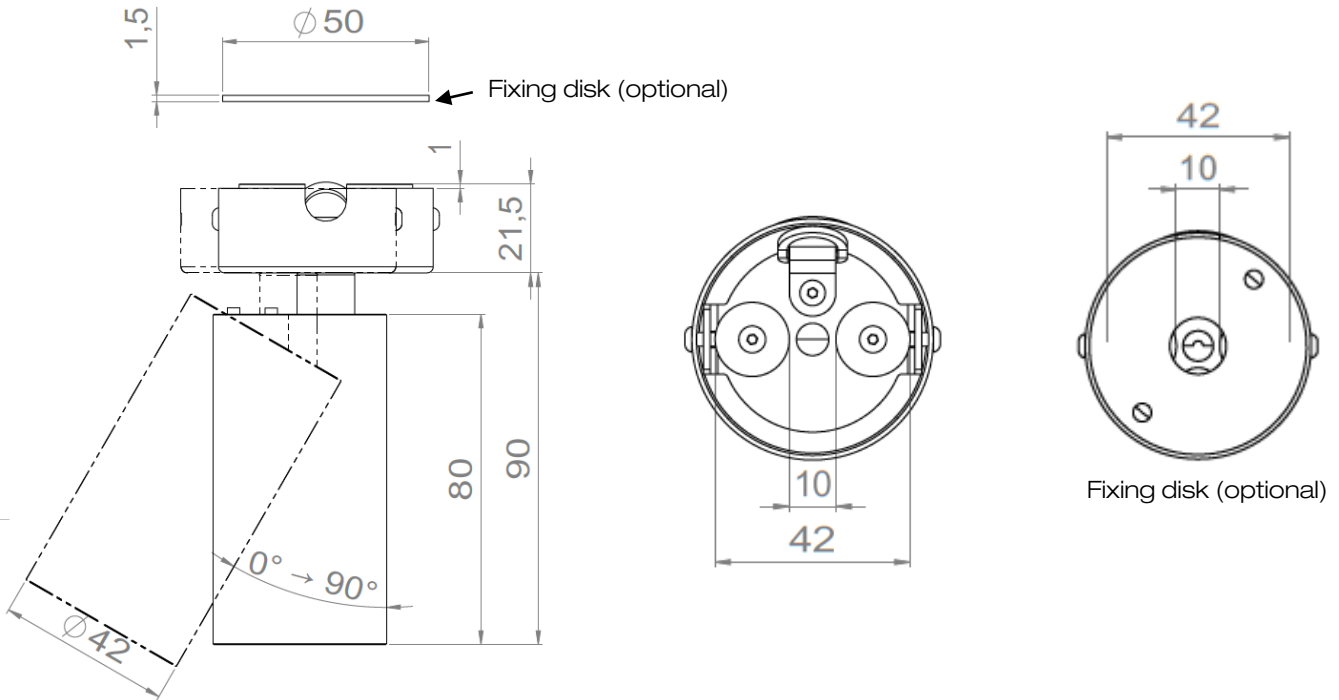
Cable output from the side



All the connections have to be made before powering up,  
otherwise the luminaires could be seriously damaged

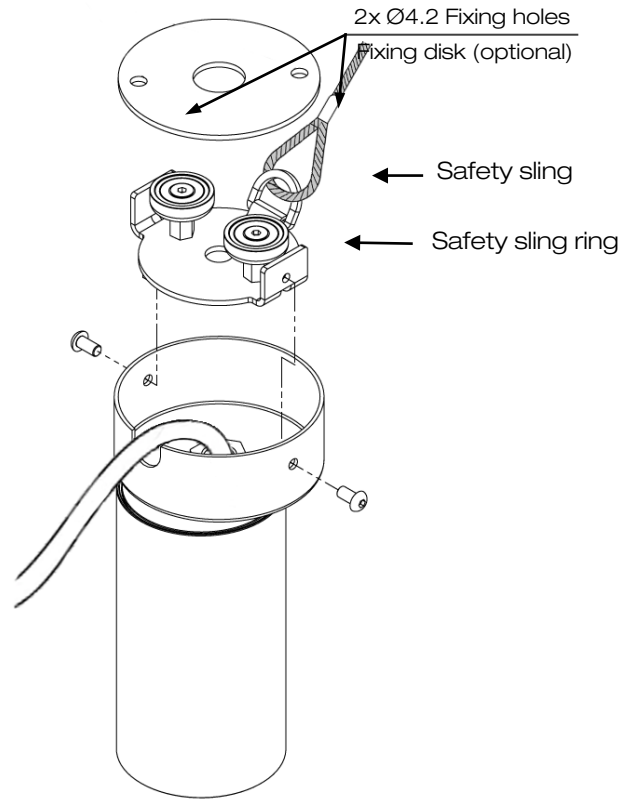
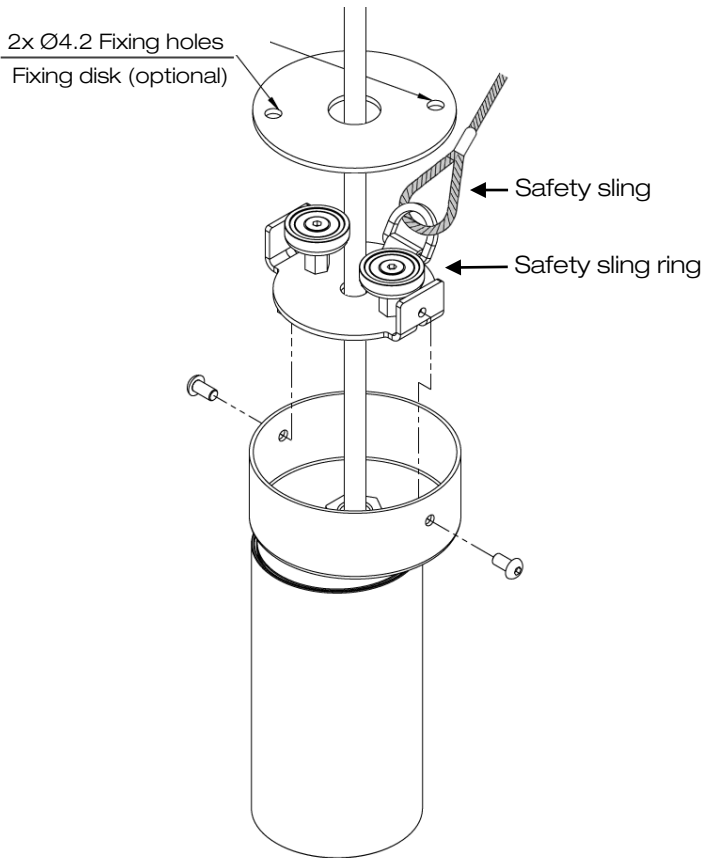


# AURORE D42 ROUND WALL-MOUNTED MAGNETIC



Cable output from behind

Cable output on the side



All the connections have to be made before powering up, otherwise the luminaires could be seriously damaged  
Last update: 2025.10.15



## AURORE D42 WALL-MOUNTED • Round • Round Magnetic

LOuss **Permuto** – easy swap system



LED / COB

Optics

Accessories (filters, honeycomb grid)

All the connections have to be made before powering up,  
otherwise the luminaires could be seriously damaged

LOuss

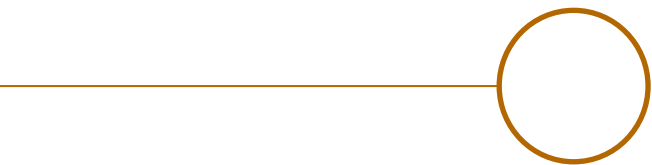
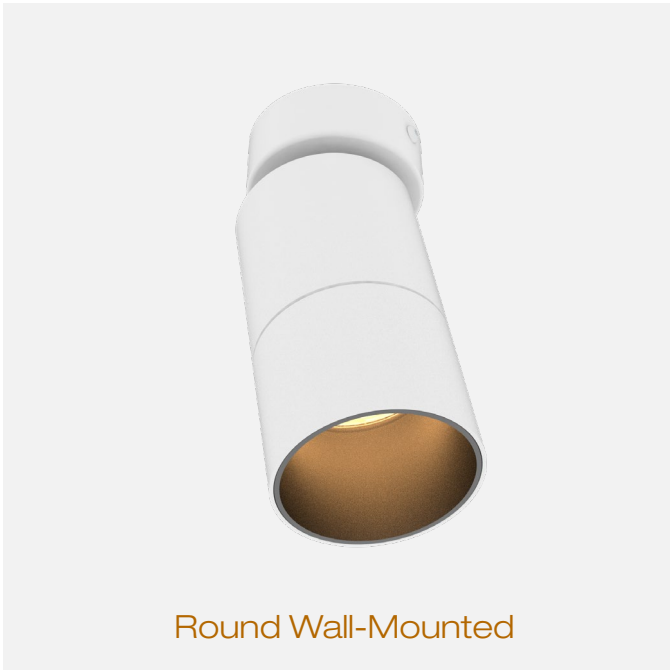
Last update: 2025.10.15

6/6

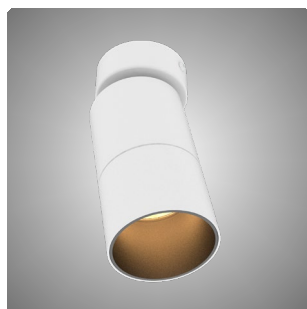
BEST SAS, Capital 200 000€  
RCS Dijon B 408 483 485  
TVA/VAT n° : FR94 408 483 485  
APE 2612Z

Tel. : +33 380 48 65 68  
contact@louss.fr  
[www.louss.fr](http://www.louss.fr)  
Best & LOuss

Siège social / Head Office  
PA Les Terres d'Or  
Route de Saint Philibert  
21220 Gevrey Chambertin - FRANCE



# AURORE D52 WALL-MOUNTED



Round Wall-Mounted



Rectangular Wall-Mounted

<b>Range</b>	Highly adjustable luminaires for general & accent lighting	
<b>Description</b>	Low luminance Rotation 360° - Adjustable tilt 90°	
<b>Finish</b>	White RAL 9003 matt finish Black RAL 9005 matt finish (other upon request)	
<b>Dimensions</b>	<b>Round Wall-Mounted</b>	<b>Rectangular Wall-Mounted</b>
	Spotlight diameter : 52mm Spotlight length : 95mm (13W) 140mm (20W) Box diameter : 52mm	Spotlight diameter : 52mm Spotlight length : 95mm (13W) 140mm (20W) Box dimensions : 142.5x60.5mm
<b>Net weight</b>	0.3kg	0.8kg
<b>LED characteristics</b>	2700K – 3000K – 3500K - 4000K – 5000K (other upon request) MacAdam ellipse : 3 SDCM (standard) – 2 SDCM (premium) CRI 90 (standard) – CRI 95, R9 > 90 (premium)	
<b>Optical beams</b>	7° - 12° - 15° - 25° - 30° - 40° - Asymmetrical – Elliptical UGR < 15	
<b>Accessories</b>	Filters, honeycomb grid upon request	
<b>Luminous flux</b>	600 to 2,000 lumen according to version	
<b>Connection</b>	Supplied with 0.5m cable or connectors in the wall-mounted box	
<b>Power supply</b>	<b>All Versions</b>	<b>Rectangular Wall-Mounted</b>
	Remote constant current driver 1400mA max. according to version Dimmable driver upon request For US & Canada, use a UL class 2 driver	Driver 700mA max. integrated in the box  For US & Canada, use a UL class 2 driver
<b>Power</b>	6W to 25W according to version	
<b>Use limitations</b>	The product must be installed into a ventilated area Any use with an ambient temperature higher than the specified ambient temperature (Ta) would lead to a more rapid mortality of the product and the withdrawal of our guarantees The drivers, if not delivered by LOuss, must be approved before use	
<b>Warranty</b>	Life span: L80B10 at 50,000 hours (80% remaining flux) at 25°C ambient temperature. 3-year parts and labour warranty The warranty does not apply to products that have been opened, modified or repaired and does not cover the effects of a wrong connection, careless, abusive handling, overvoltage, lighting injury, as well as the normal wear of the product All products are electrically tested and received a functional burn-in	

All the connections have to be made before powering up,  
otherwise the luminaires could be seriously damaged

LOuss

Last update: 2025.06.13

2/3

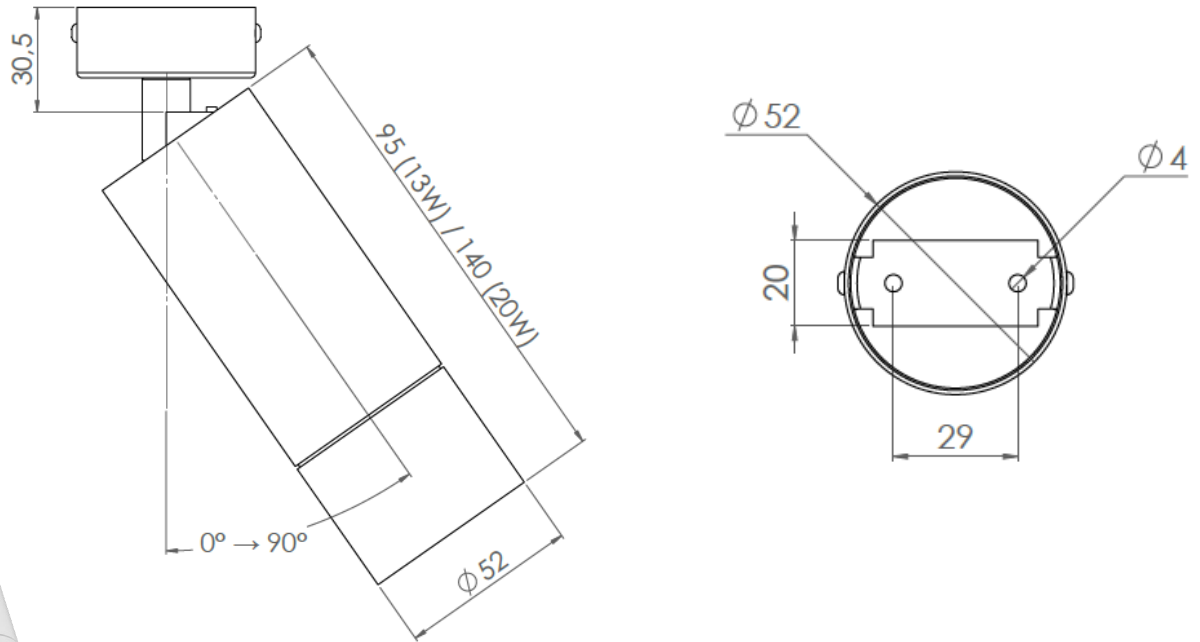
BEST SAS, Capital 200 000€  
RCS Dijon B 408 483 485  
TVA/VAT n° : FR94 408 483 485  
APE 2612Z

Tel. : +33 380 48 65 68  
contact@louss.fr  
[www.louss.fr](http://www.louss.fr)  
Best & LOuss

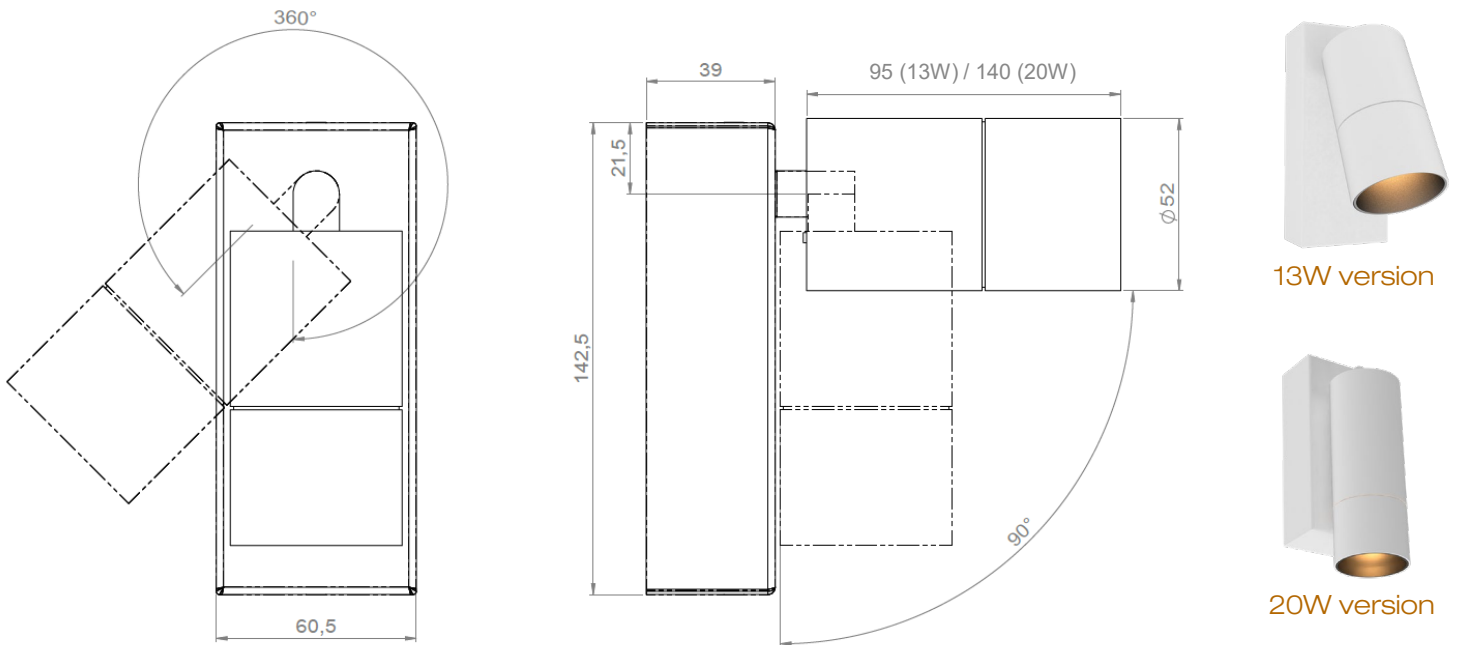
Siège social / Head Office  
PA Les Terres d'Or  
Route de Saint Philibert  
21220 Gevrey Chambertin - FRANCE



## AURORE D52 ROUND WALL-MOUNTED



## AURORE D52 RECTANGULAR WALL-MOUNTED



All the connections have to be made before powering up,  
otherwise the luminaires could be seriously damaged

Last update: 2025.06.13

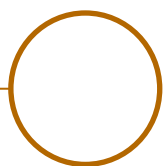
3/3

LOUSS

BEST SAS, Capital 200 000€  
RCS Dijon B 408 483 485  
TVA/VAT n° : FR94 408 483 485  
APE 2612Z

Tel. : +33 380 48 65 68  
contact@louss.fr  
[www.louss.fr](http://www.louss.fr)  
Best & LOUSS

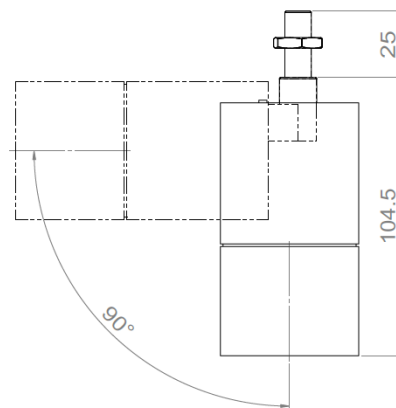
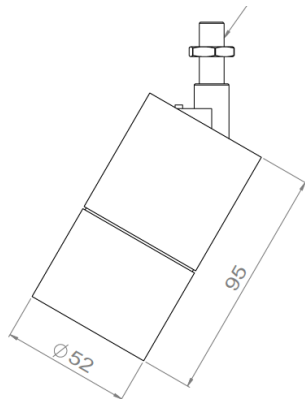
Siège social / Head Office  
PA Les Terres d'Or  
Route de Saint Philibert  
21220 Gevrey Chambertin - FRANCE



## AURORE D52 PIVOT



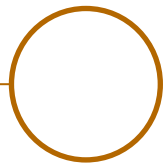
Threaded rod M10x1 + fixing nut



## AURORE D52 PIVOT

<b>Range</b>	Highly adjustable luminaire for general & accent lighting
<b>Description</b>	Low luminance Rotation 360° - Adjustable tilt 90° max
<b>Finish</b>	White RAL 9003 matt finish Black RAL 9005 matt finish (other upon request)
<b>Dimensions</b>	Spotlight diameter : 52mm Spotlight length : 95mm
<b>Net Weight</b>	0.5kg
<b>LED characteristics</b>	2700K – 3000K – 4000K – 5000K (other upon request) MacAdam ellipse: 3 SDCM (standard) – 2 SDCM (premium) CRI 90 (standard) – CRI 95, R9 > 90 (premium)
<b>Optical beams</b>	7° - 12° - 15° - 20° - 25° - 30° - 35° - Elliptical UGR < 15
<b>Accessories</b>	Filters, honeycomb grid
<b>Luminous flux</b>	600 to 2,000 lumen according to version
<b>Installation</b>	Fixation with threaded rod M10x1 + fixing nut
<b>Connection</b>	Supplied with 0.5m cable
<b>Power supply</b>	Remote constant current driver 1400mA max. according to version Dimmable driver upon request For US & Canada, use a UL class 2 driver
<b>Power</b>	6W to 13W according to version
<b>Use limitations</b>	The product must be installed into a ventilated area Any use with an ambient temperature higher than the specified ambient temperature (Ta) would lead to a more rapid mortality of the product and the withdrawal of our guarantees The drivers, if not delivered by LOuss, must be approved before use
<b>Warranty</b>	Life span: L80B10 at 50,000 hours (80% remaining flux) at 25°C ambient temperature. 3-year parts and labour warranty The warranty does not apply to products that have been opened, modified or repaired and does not cover the effects of a wrong connection, careless, abusive handling, overvoltage, lighting injury, as well as the normal wear of the product All products are electrically tested and received a functional burn-in

All the connections have to be made before powering up,  
otherwise the luminaires could be seriously damaged



## AURORE D55 WALL-MOUNTED



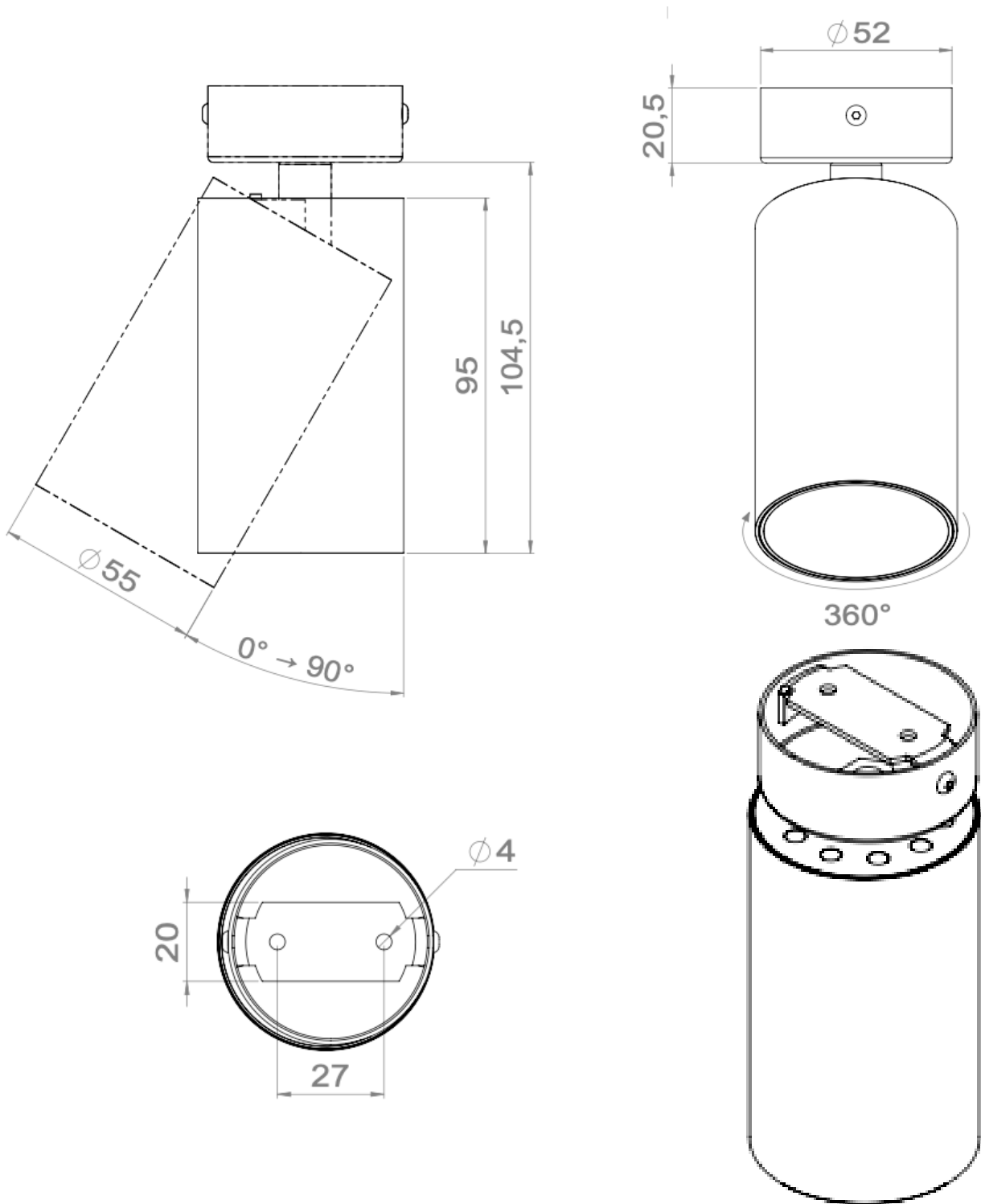
## AURORE D55 ROUND WALL-MOUNTED

<b>Range</b>	Highly adjustable luminaires for general & accent lighting
<b>Description</b>	Luminaire equipped with low luminance spotlight Rotation 360° - Adjustable tilt 90° max Easily changeable LED, optics and accessories on-site without any tool, with integrated <b>Permuto</b> Easy Swap system (see page 4)
<b>Finish</b>	Black RAL 9005 matt finish White RAL 9003 matt finish (other upon request)
<b>Dimensions</b>	Spotlight diameter : 55mm Spotlight length : 95mm Wall-mounted box diameter : 52mm
<b>Net weight</b>	0.350kg
<b>LED characteristics</b>	2700K - 3000K - 3500K - 4000K - 5000K (other upon request) MacAdam ellipse : 3 SDCM (standard) - 2 SDCM (premium) CRI90 (standard version) - CRI95, R9 > 80
<b>Optical beams</b>	13° - 18° - 24° - 32° (CRI < 98) 7° (IRC 90) UGR < 15
<b>Accessories</b>	Filters, honeycomb grids upon request
<b>Luminous flux</b>	600 to 2,000 lumen according to version
<b>Connection</b>	Supplied with 0.5m cable Or connectors in the box
<b>Power supply</b>	Remote constant current driver 1400mA max. according to version Dimmable driver upon request For US & Canada, use a UL class 2 driver
<b>Power</b>	6W to 25W according to version
<b>Use limitations</b>	The product must be installed into a ventilated area Any use with an ambient temperature higher than the specified ambient temperature (Ta) would lead to a more rapid mortality of the product and the withdrawal of our guarantees The drivers, if not delivered by LOuss, must be approved before use
<b>Warranty</b>	Life span: L80B10 at 50,000 hours (80% remaining flux) at 25°C ambient temperature. 3-year parts and labour warranty The warranty does not apply to products that have been opened, modified or repaired and does not cover the effects of a wrong connection, careless, abusive handling, overvoltage, lighting injury, as well as the normal wear of the product All products are electrically tested and received a functional burn-in

All the connections have to be made before powering up,  
otherwise the luminaires could be seriously damaged



## AURORE D55 ROUND WALL-MOUNTED



All the connections have to be made before powering up,  
otherwise the luminaires could be seriously damaged



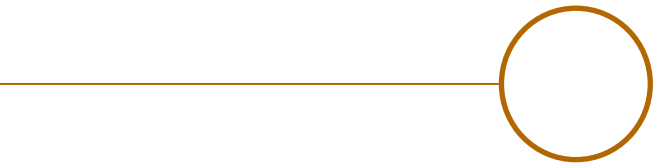
# AURORE D55 ROUND WALL-MOUNTED



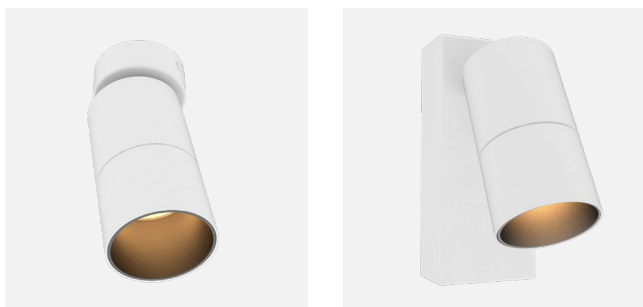
LOUSS **Permuto** – easy swap system



All the connections have to be made before powering up,  
otherwise the luminaires could be seriously damaged



# AURORE D60 WALL-MOUNTED



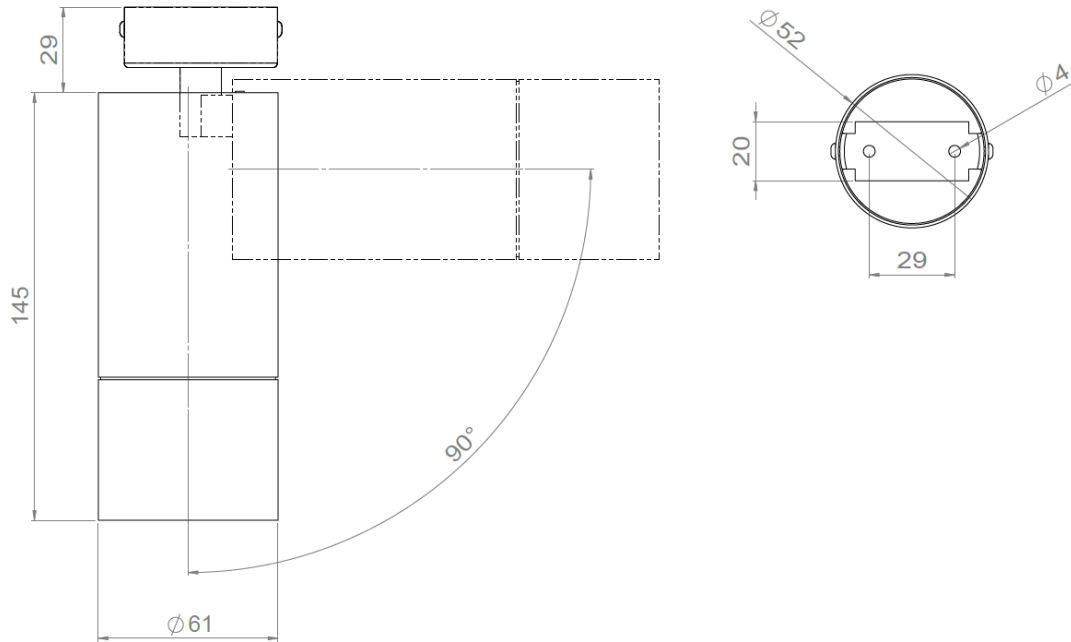
## AURORE D60 • Round Wall-Mounted • Rectangular Wall-Mounted

<b>Range</b>	Highly adjustable luminaires for general & accent lighting	
<b>Description</b>	Low luminance Rotation 360° - Adjustable tilt 90°	
<b>Finish</b>	White RAL 9003 matt finish Black RAL 9005 matt finish (other upon request)	
<b>Dimensions</b>	<b>Round Wall-Mounted</b>	<b>Rectangular Wall-Mounted</b>
	Spotlight diameter : 52mm Spotlight length : 145mm Box diameter : 52mm	Spotlight diameter : 52mm Spotlight length : 140 mm Box dimensions : 142.5x61mm
<b>Net weight</b>	0.3kg	0.8kg
<b>LED characteristics</b>	2700K – 3000K – 3500K - 4000K – 5000K (other upon request) MacAdam ellipse : 3 SDCM (standard) – 2 SDCM (premium) CRI 90 (standard) – CRI 95, R9 > 90 (premium)	
<b>Optical beams</b>	7° - 12° - 15° - 25° - 30° - 40° - Asymetrical – Elliptical UGR < 15	
<b>Accessoires</b>	Filters, honeycomb grid upon request	
<b>Luminous flux</b>	600 to 2,000 lumen according to version	
<b>Connection</b>	Delivered with 0.5m cable or connectors in the round or rectangular box	
<b>Separated Power supply</b>	Remote constant current driver 1400mA max. according to version Dimmable driver upon request	
<b>Integrated Power supply</b>	<b>Rectangular wall-mounted</b> : driver 700mA max. integrated in the box	
<b>Power</b>	6W to 25W according to version	
<b>Use limitations</b>	The product must be installed into a ventilated area Any use with an ambient temperature higher than the specified ambient temperature (Ta) would lead to a more rapid mortality of the product and the withdrawal of our guarantees The drivers, if not delivered by LOuss, must be approved before use	
<b>Warranty</b>	Life span: L80B10 at 50,000 hours (80% remaining flux) at 25°C ambient temperature. 3-year parts and labour warranty The warranty does not apply to products that have been opened, modified or repaired and does not cover the effects of a wrong connection, careless, abusive handling, overvoltage, lighting injury, as well as the normal wear of the product All products are electrically tested and received a functional burn-in	

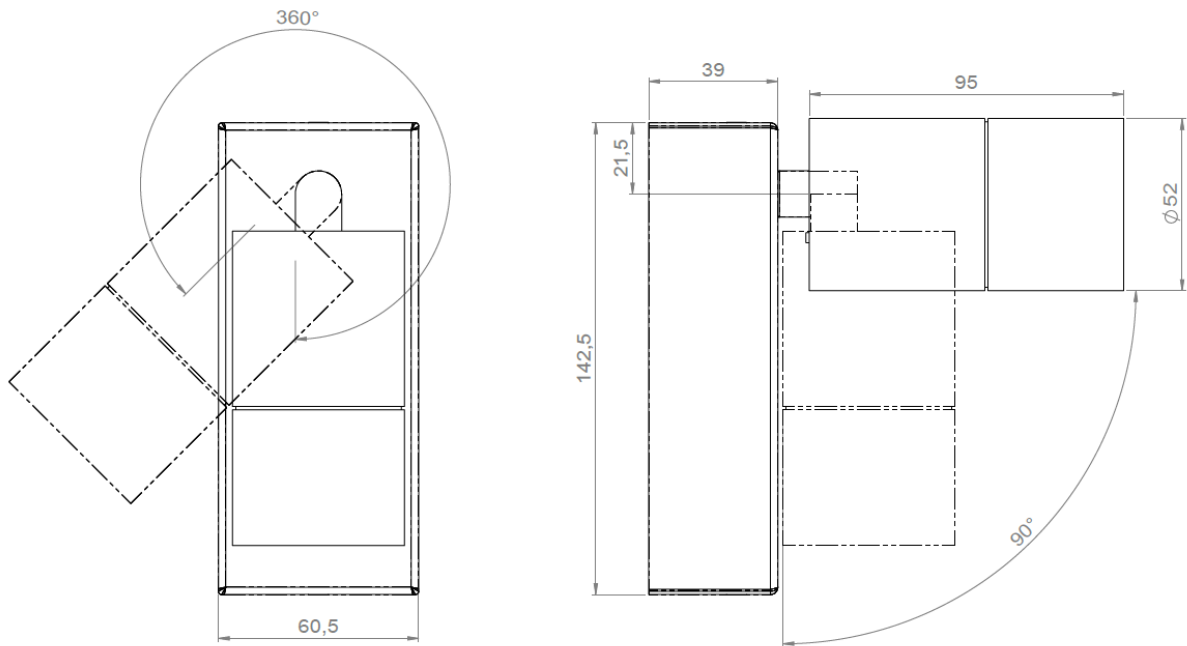
All the connections have to be made before powering up,  
otherwise the luminaires could be seriously damaged



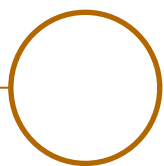
## AURORE D60 ROUND WALL-MOUNTED



## AURORE D60 RECTANGULAR WALL-MOUNTED

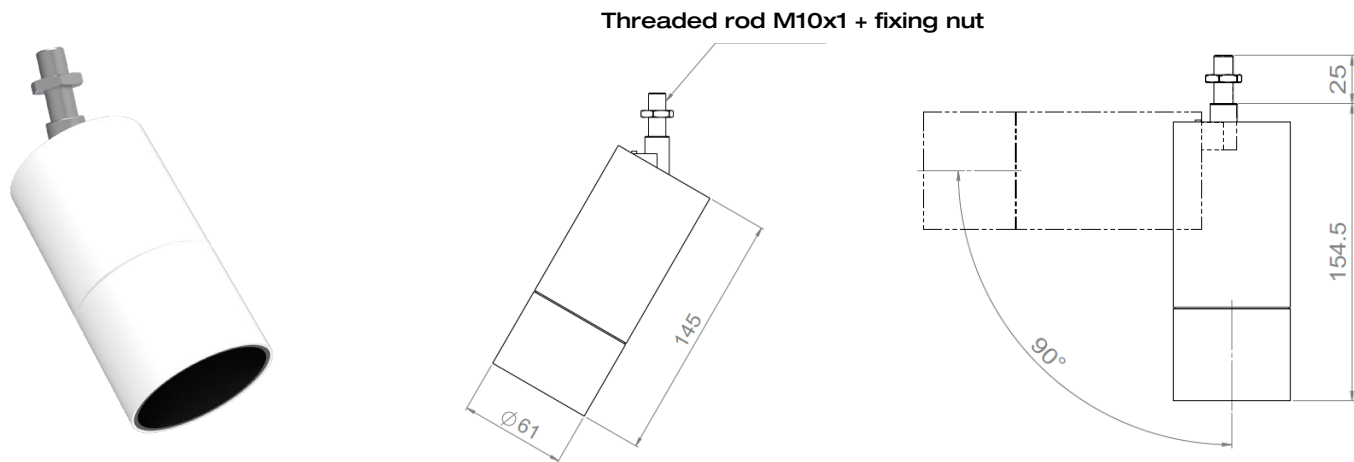


All the connections have to be made before powering up,  
otherwise the luminaires could be seriously damaged



## AURORE D60 PIVOT

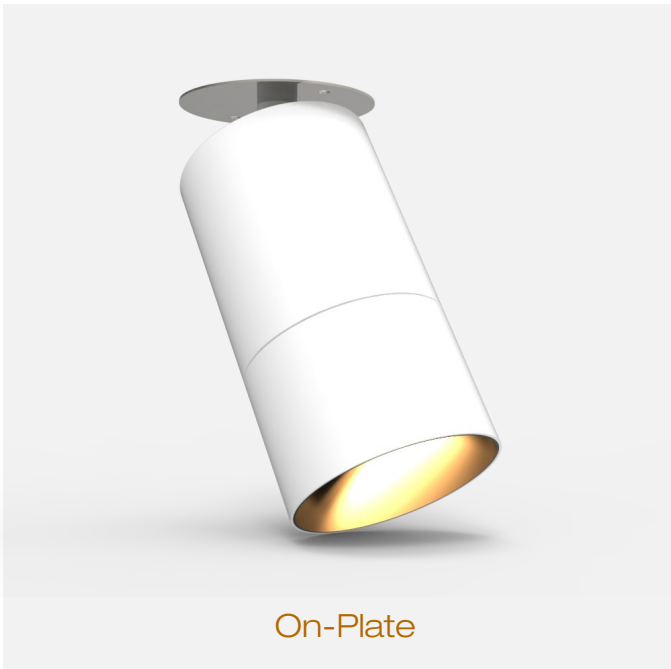




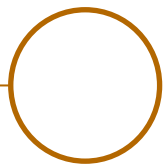
## AURORE D60 PIVOT

<b>Range</b>	Highly adjustable luminaire for general & accent lighting
<b>Description</b>	Luminaire equipped with low luminance spotlight Rotation 360° - Adjustable tilt 90° max
<b>Finish</b>	White RAL 9003 matt finish Black RAL 9005 matt finish (other upon request)
<b>Dimensions</b>	Spotlight diameter : 61mm Spotlight length : 145mm
<b>Net Weight</b>	0.5kg
<b>LED characteristics</b>	2700K – 3000K – 4000K – 5000K (other upon request) MacAdam ellipse: 3 SDCM (standard) – 2 SDCM (premium) CRI 90 (standard) – CRI 95, R9 > 90 (premium)
<b>Optical beams</b>	7° - 12° - 15° - 25° - 30° - 40° - Elliptical
<b>Accessories</b>	Filters, honeycomb grid
<b>Installation</b>	Fixation with threaded rod M10x1 + fixing nut
<b>Connection</b>	Supplied with 0.5m cable
<b>Power supply</b>	Remote constant current driver 1400mA max. according to version Dimmable driver upon request For US & Canada, use a UL class 2 driver
<b>Power</b>	6W to 25W according to version
<b>Use limitations</b>	The product must be installed into a ventilated area Any use with an ambient temperature higher than the specified ambient temperature (Ta) would lead to a more rapid mortality of the product and the withdrawal of our guarantees The drivers, if not delivered by LOuss, must be approved before use
<b>Warranty</b>	Life span: L80B10 at 50,000 hours (80% remaining flux) at 25°C ambient temperature. 3-year parts and labour warranty The warranty does not apply to products that have been opened, modified or repaired and does not cover the effects of a wrong connection, careless, abusive handling, overvoltage, lighting injury, as well as the normal wear of the product All products are electrically tested and received a functional burn-in

All the connections have to be made before powering up,  
otherwise the luminaires could be seriously damaged



## AURORE D82 WALL-MOUNTED

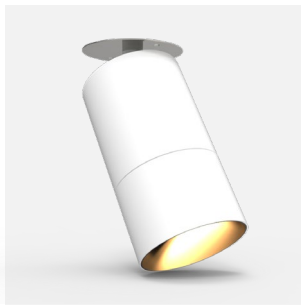
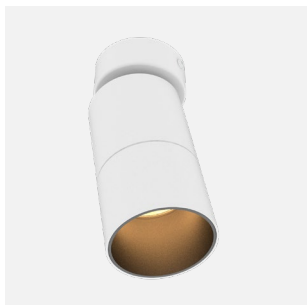




## AURORE D82 WALL-MOUNTED • Round • Rectangular • On Plate

<b>Range</b>	Highly adjustable luminaires for general & accent lighting		
<b>Description</b>	Low luminance 1 LED or 3 LEDs versions Rotation 360° - Adjustable tilt 88°		
<b>Finish</b>	White RAL 9003 matt finish Black RAL 9005 matt finish (other upon request)		
<b>Dimensions</b>	<b>Round Wall-Mounted</b>	<b>Rectangular Wall-Mounted</b>	<b>On-Plate</b>
	Spotlight diameter : 52mm	Spotlight diameter : 52mm	Spotlight diameter : 52mm
	Spotlight length : 146mm	Spotlight length : 146mm	Spotlight length : 146mm
<b>Net weight</b>	0.8kg	1.3 kg	0.9 kg
<b>LED characteristics</b>	<b>1 LED</b>		<b>3 LEDs</b>
	2700K – 3000K – 3500K - 4000K – 5000K (other upon request) MacAdam ellipse : 3 SDCM (standard) 2 SDCM (premium)		2700K – 3000K – 3500K - 4000K – 5000K (other upon request)  Tunable white version : 3 LED 2700K – 4000K – 6500K  RGB version
	CRI 90 (standard) – CRI 95, R9 > 90 (premium)		
<b>Optical beams</b>	<b>1 LED</b>		<b>3 LEDs</b>
	7° - 12° - 15° - 25° - 30° - 40° - Elliptical UGR < 15		20° - 30° UGR < 15
<b>Accessories</b>	Filters, honeycomb grid upon request		
<b>Luminous flux</b>	<b>1 LED</b>		<b>3 LEDs</b>
	1500 to 2500Lm according to version		2300 to 2600 Lm according to version
<b>Connection</b>	<b>1 LED</b>		<b>3 LEDs</b>
	Supplied with 0.5m cable or connectors in the box (except for On-plate version)		Supplied with 0.5m of 8-conductor cable  Daisy-chain option : 2 input/output cables for serial wiring
<b>Power supply</b>	<b>All versions (1 LED)</b>	<b>Rectangular W.-M (1 LED)</b>	<b>All versions (3 LEDs)</b>
	Remote constant current driver 1400mA max. according to version Dimmable driver upon request	Constant current driver 700mA max. integrated in the box	Remote constant current DMX driver 700mA max (1A possible with driver flanged at 30W)
	For the US & Canada, use a UL class 2 driver		

All the connections have to be made before powering up,  
otherwise the luminaires could be seriously damaged



## AURORE D82 WALL-MOUNTED • Round • Rectangular • On Plate

Power	1 LED	3 LEDs
		6W to 25W according to version
Use limitations	<p>The product must be installed into a ventilated area</p> <p>Any use with an ambient temperature higher than the specified ambient temperature (Ta) would lead to a more rapid mortality of the product and the withdrawal of our guarantees</p> <p>The drivers, if not delivered by LOuss, must be approved before use</p>	
Warranty	<p>Life span: L80B10 at 50,000 hours (80% remaining flux) at 25°C ambient temperature.</p> <p>3-year parts and labour warranty</p> <p>The warranty does not apply to products that have been opened, modified or repaired and does not cover the effects of a wrong connection, careless, abusive handling, overvoltage, lighting injury, as well as the normal wear of the product</p> <p>All products are electrically tested and received a functional burn-in</p>	

All the connections have to be made before powering up,  
otherwise the luminaires could be seriously damaged

LOuss

Last update: 2025.06.13

3/5

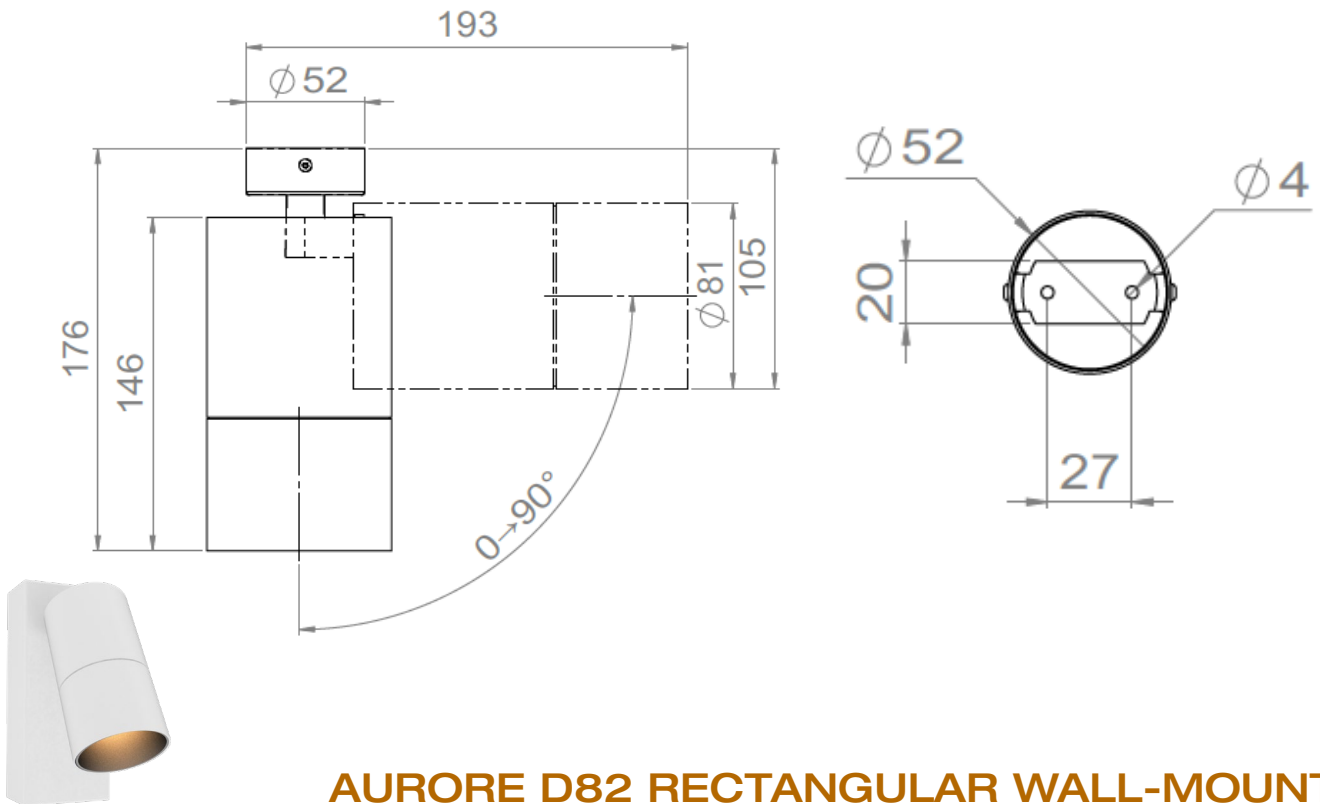
BEST SAS, Capital 200 000€  
RCS Dijon B 408 483 485  
TVA/VAT n° : FR94 408 483 485  
APE 2612Z

Tel. : +33 380 48 65 68  
contact@louss.fr  
[www.louss.fr](http://www.louss.fr)  
Best & LOuss

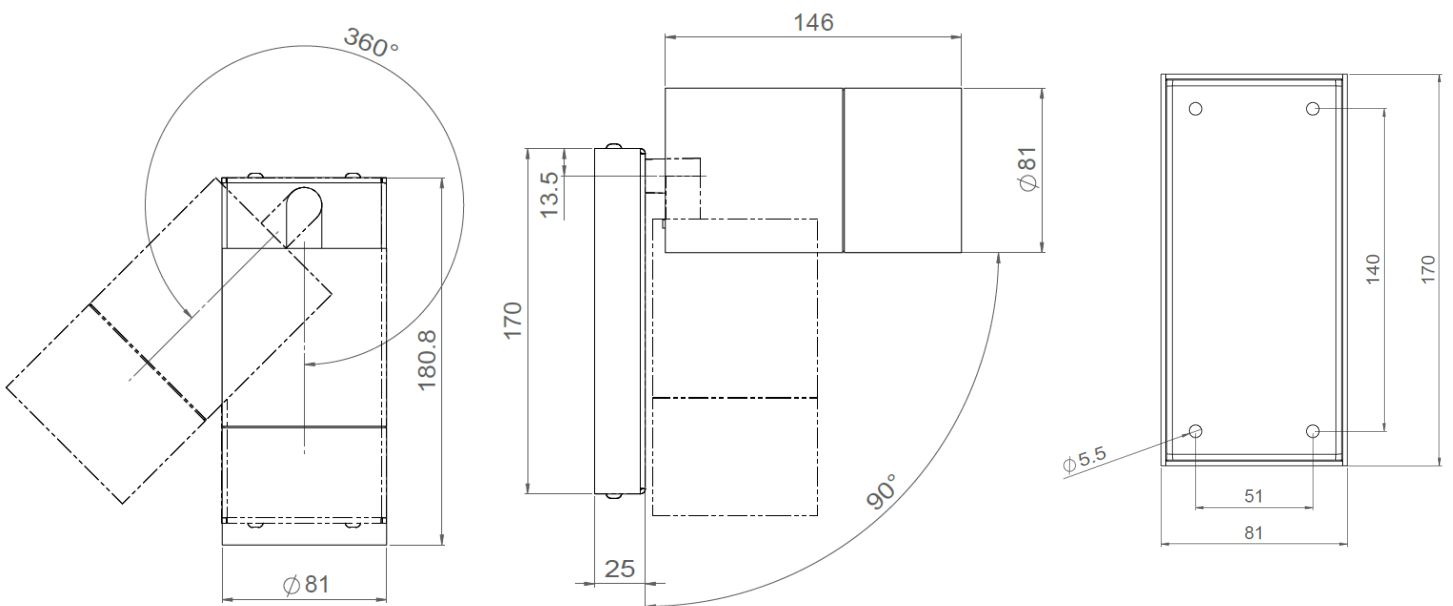
Siège social / Head Office  
PA Les Terres d'Or  
Route de Saint Philibert  
21220 Gevrey Chambertin - FRANCE



## AURORE D82 ROUND WALL-MOUNTED



## AURORE D82 RECTANGULAR WALL-MOUNTED



All the connections have to be made before powering up,  
otherwise the luminaires could be seriously damaged

**LOUSS**

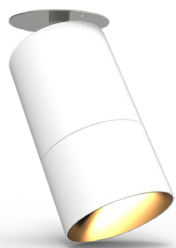
Last update: 2025.06.13

4/5

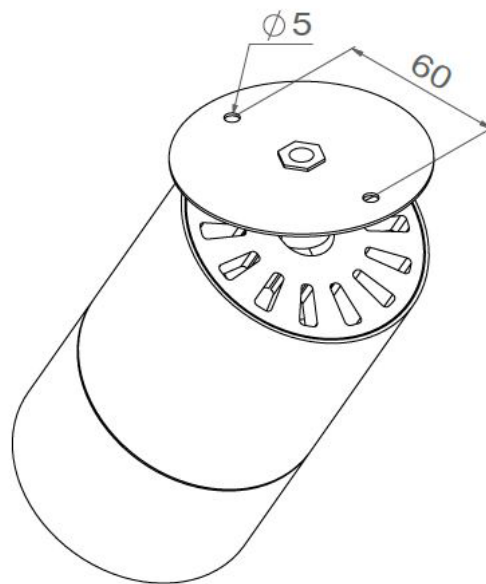
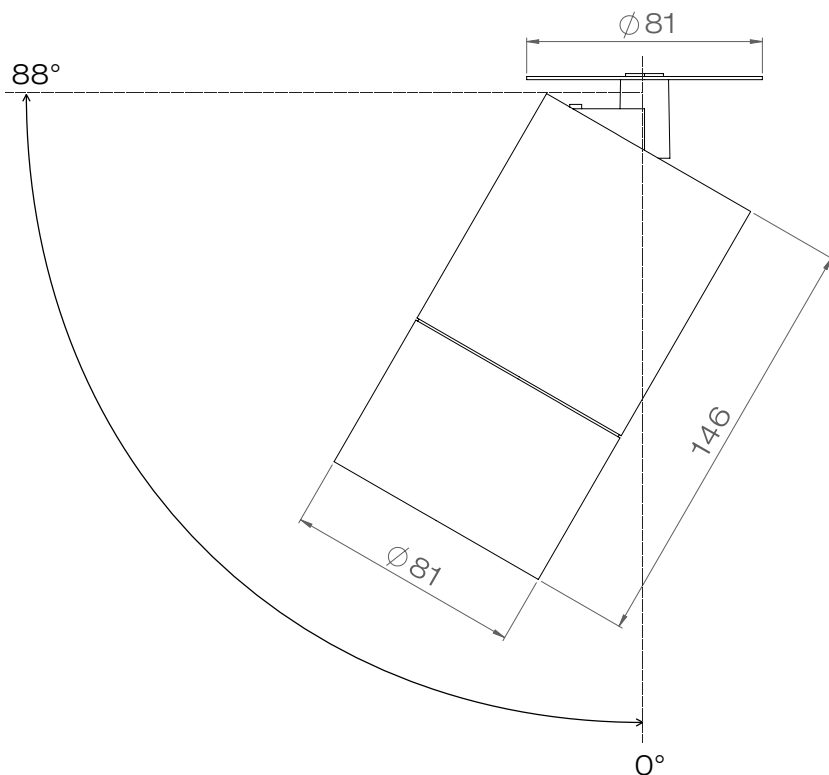
BEST SAS, Capital 200 000€  
RCS Dijon B 408 483 485  
TVA/VAT n° : FR94 408 483 485  
APE 2612Z

Tel. : +33 380 48 65 68  
contact@louss.fr  
[www.louss.fr](http://www.louss.fr)  
Best & LOUSS

Siège social / Head Office  
PA Les Terres d'Or  
Route de Saint Philibert  
21220 Gevrey Chambertin - FRANCE



## AURORE D82 ON-PLATE



All the connections have to be made before powering up,  
otherwise the luminaires could be seriously damaged

Last update: 2025.06.13

5/5

LOUSS

BEST SAS, Capital 200 000€  
RCS Dijon B 408 483 485  
TVA/VAT n° : FR94 408 483 485  
APE 2612Z

Tel. : +33 380 48 65 68  
contact@louss.fr  
[www.louss.fr](http://www.louss.fr)  
Best & LOUSS

Siège social / Head Office  
PA Les Terres d'Or  
Route de Saint Philibert  
21220 Gevrey Chambertin - FRANCE